

# ***GENERATOR***

**EU10iT1**

**PARTS CATALOGUE**

**1**

---

**FOREWORD INDEX**

**1**

---

**ENGINE GROUP**

**2**

---

**FRAME GROUP**

**3**

---

**PART NUMBER INDEX**

**4**

---

**PART NAME INDEX**

**5**

---



**Instruction for use of parts catalogue**

- **This parts catalogue was prepared based on the latest information available as of August 10, 2013.**
- See the parts catalogue news for any revision that is made after August 10, 2013.
- **Always specify the part number when ordering a part.**
- Check the model, type, serial numbers, color, maker, and the size as needed before ordering a part.
- Note that the illustrations (part drawings) can differ from the actual parts in shape. They are given just to help you to refer to the parts.
- **When modifications or additions to this parts catalogue are made, a revised edition will be issued at an appropriate time, with successively progressing revision numbers on the cover. We recommend obtaining such revisions in order to keep your parts catalogue up-to-date at all times. To check whether a parts catalogue revision has been issued, please contact your Honda distributor.**

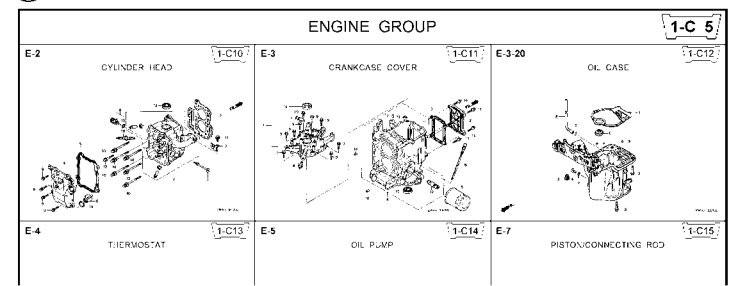
Initial version issue date **August 10, 2013**  
**Honda Motor Co., Ltd.**

**CONTENTS**

	Page	Address No.
● Instruction for use of parts catalogue .....	1	B 1
● How to refer to the part information .....	2	B 2
● Part catalogue structure .....	3	B 3
● When the parts were revised .....	4	B 4
● Abbreviations used in the parts catalogue .....	4	B 4
● How to check the part block and serial numbers .....	5	B 5
● Models, parts catalogue codes and applicable serial numbers .....	6	B 6
● Features of each type .....	8	B 8
● Fuel hose, general purpose hoses and vinyl hose .....	10	B10
● FLAT RATE SERVICE TIME .....	11	B11
● Illustrated index .....	16	B16
● ENGINE GROUP .....	19	D 1
● FRAME GROUP .....	28	E 1
● PART NO. INDEX .....	52	G 1
● PART NAME INDEX .....	54	H 1

How to refer to the part information

A Reference with "Illustrated index"



B Reference with "Part number index"

PART NO. INDEX

Part Number	Address	Page	Ref.	Part Number	Address	Page
06000				15212-ZW9-000	1-C14	3C
06316-ZW9-000	1-G9	88	1	15220-ZW9-003	1-C14	3C
11000				15332-ZW9-000	1-E8	55
11300-ZW9-405	1-C11	27	1	15332-ZW9-A30	1-E11	5E
11300-ZW9-406	1-C11	27	1	15400-PFB-004	1-C11	27
11340-ZW9-000	1-C11	27	2	15422-ZW9-000	1-C14	3C
11342-ZW9-000	1-C11	27	3	15473-881-000	1-C14	3C
11381-ZW9-003	1-C12	28	1	15474-ZW9-000	1-C14	3C
				15611-921-000	1-C10	2E
				15655-ZW9-000	1-C11	27
12000				16000		
12000-ZW9-405ZA	1-C11	27	4	16010-ZV4-005	1-D4	3E
12155-ZV4-A00	1-C13	29	1	16011-ZV4-005	1-D4	3E
12166-ZW9-000	1-C10	26	1	16013-ZW9-003	1-D4	3E
12209-GB4-681	1-C16	32	1	16016-ZW9-003	1-D4	3E
12210-ZW9-405ZA	1-C10	26	2	16016-ZW9-721	1-D4	3E
12216-ZE2-300	1-E8	55	1	16023-ZW9-003	1-D4	3E
	1-E11	58	1	16024-ZV4-650	1-D4	3E
				16028-ZV4-650	1-D4	3E

C Reference with "Part name index"

PART NAME INDEX

Part name	Address	Page	Ref.
[ A ]			
ABSORBER , FUEL	1-E15	62	5
ARMATURE COMP.	1-D11	43	7
ARM COMP. , LINK JOINT	1-G6	85	18
ARM COMP. , SHIFT LINK	1-G6	85	14
ARM COMP. , TILT	1-F15	79	20
ARM , FUEL PUMP ROCKER	1-C16	32	4
ARM , REVERSE LOCK	1-F15	79	18
ARM , SHIFT LINK	1-F11	74	7
ARM , STOPPER	1-D1	33	12
ARM , THROTTLE REMOTE	1-F11	74	6
ARM , VALVE ROCKER	1-C16	32	3
[ B ]			
BAG , TOOL , 160MM	1-G5	84	10
BAND	1-G6	86	37
BAND B1 , WIRE	1-F6	69	1
BAND , CORD	1-F3	67	18
BAND , TUBE CLIP , 11MM	1-E15	63	20
BAND , TUBE CLIP , 12.5MM	1-E15	63	19

Address No. 1-C10

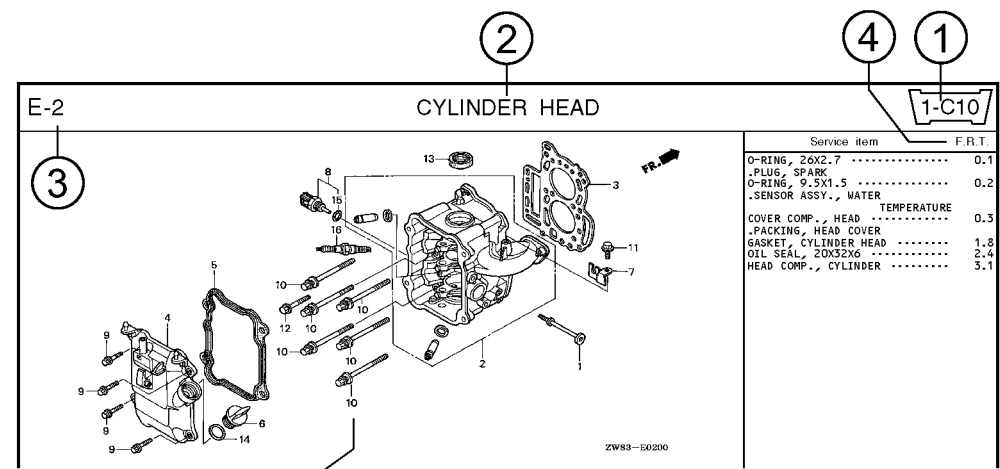
Block No. E-2

Ref No.

Ref. No.	Part No.	Description	Reqd. QTY						Serial No.	Parts catalogue code
			99D1	99D1	1001	1001	1001	1001		
1	12166-ZW9-000	STOPPER, ENGINE SIDE	2	2	2	2	2	2		
2	12210-ZW9-000ZA	HEAD COMP., CYLINDER	1	1	1	1	1	1		
3	12251-ZW9-003	GASKET, CYLINDER HEAD	1	1	1	1	1	1		
4	12310-ZW9-000	COVER COMP., HEAD	1	1	1	1	1	1		
5	12312-ZW9-000	PACKING, HEAD COVER	1	1	1	1	1	1		
6	15611-921-000	CAP, OIL (NO GAUGE)	1	1	1	1	1	1		
7	16617-ZW9-000	HOLDER, CABLE	1	1	1	1	1	1	SC,SG	
	16617-ZW9-010		1	1	1	1	1	1	1001801 LHC,LHD	
			1	1	1	1	1	1	1001801 LHC,LHD	
8	35673-ZV5-003	SENSOR ASSY., WATER	1	1	1	1	1	1		
9	90003-ZW9-000	BOLT, FLANGE, 6X22	4	4	4	4	4	4		
10	90007-ZW9-003	BOLT, FLANGE, 8X83	6	6	6	6	6	6		
11	90011-ZW9-000	BOLT, FLANGE, 6X14(CT200)	1	1	1	1	1	1		
12	90020-ZW9-000	BOLT, FLANGE, 8X40	2	2	2	2	2	2		
13	91202-KJ9-003	OIL SEAL, 20X32X6	1	1	1	1	1	1		
14	91301-805-000	O-RING, 26X2.7	1	1	1	1	1	1		
15	91307-PK2-005	O-RING, 9.5X1.5(HONDA KIKAKI)	1	1	1	1	1	1		
16	98059-55916	PLUG, SPARK (CR5EH-9)	2	2	2	2	2	2		
	98059-55926	PLUG, SPARK (U16FER9)	2	2	2	2	2	2		

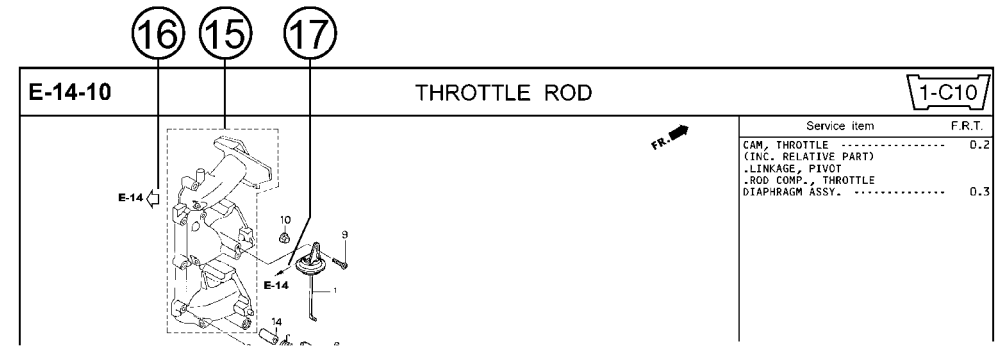
Page No. 2000.09.20 E

Part catalogue structure



Service item	F.R.T.
O-RING, 26X2.7	0.1
PLUG, SPARK	0.2
O-RING, 9.5X1.5	0.2
SENSOR ASSY., WATER	
COVER COMP., HEAD - TEMPERATURE	0.3
PACKING, HEAD COVER	
GASKET, CYLINDER HEAD	1.8
OIL SEAL, 20X32X6	2.4
HEAD COMP., CYLINDER	5.1

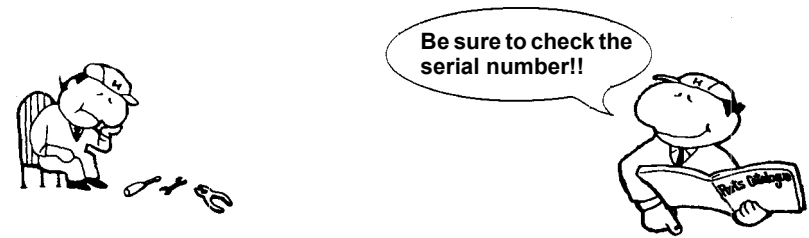
Ref. No.	Part No.	Description	Reqd. QTY						Serial No.	Parts catalogue code
			BF 9/9D1	BFP 9/9D1	BF 10D1	BFP 10D1	BF 10B1	BFP 10B1		
1	12166-ZW9-000	STOPPER, ENGINE SIDE	2	2	2	2	2	2		
2	12210-ZW9-000ZA	HEAD COMP., CYLINDER *NHS* ..... DARK GRAY	1	1	1	1	1	1		
3	12251-ZW9-003	GASKET, CYLINDER HEAD	1	1	1	1	1	1		
4	12310-ZW9-000	COVER COMP., HEAD	1	1	1	1	1	1		
5	12312-ZW9-000	PACKING, HEAD COVER	1	1	1	1	1	1		
6	15611-921-000	CAP, OIL (NO GAUGE)	1	1	1	1	1	1		
7	16617-ZW9-000 16617-ZW9-010	HOLDER, CABLE	1	1	1	1	1	1	SC,SG 1001800 LHC,LHD	



Service item	F.R.T.
CAM, THROTTLE (INC. RELATIVE PART)	0.2
LINKAGE, PIVOT	
ROD COMP., THROTTLE	
DIAPHRAGM ASSY.	0.3

- ① **Address number**
  - Address No. is provided (in place of the page No.) to help you refer to the part with the part No. or part name.
- ② **Block title** ③ **Block number**
- ④ **Service item/Flat rate time**
- ⑤ **Reference number**
  - Title number marked with the parenthesis or parentheses indicates that it continues from the previous page.
- ⑥ **Part number** ⑦ **Honda color code**
- ⑧ **Description**
- ⑨ **Assemblies**
  - Sections framed with broken lines in the exploded view drawings are available as complete assemblies. (Their individual parts can also be obtained.)
- ⑩ **Color description**
- ⑪ **Note**
  - Notes are shown with the parentheses in the part name column.
- ⑫ **Required quantity**
  - Required QTY shown in the parenthesis or parentheses indicates the optional part.
  - Required QTY marked with "N" Indicates the optional part that should be selected as needed.
  - Required QTY indicates the number of the part used in the block.
- ⑬ **Serial number**
- ⑭ **Type**
  - When the type column is blank, it indicates that the part is applicable to all types.
  - As the type of the actual unit may differ from the "parts catalogue, type" please refer to "Models, types and applicable serial numbers" for confirmation.
- ⑮ **Parts enclosed in a dotted line**
  - Parts enclosed within a dotted line are covered in a different block.
- ⑯ **Hollow arrow**
  - A hollow arrow indicates the block No. for the parts enclosed within a dotted line.
- ⑰ **Solid arrow**
  - A solid arrow indicates the block No. the part in question is connected to.

**When the parts were revised**



Ref. No.	Part No.	Description	Reqd. QTY						Serial No.
			BF 9.9D1	BFP 9.9D1	BF 10D1	BFP 10D1	BF 10B1	BFP 10B1	
1	12166-ZW9-000	STOPPER, ENGINE SIDE	2	2	2	2	2	2	
2	12210-ZW9-000ZA	HEAD COMP., CYLINDER *NH8*	1	1	1	1	1	1	
3	12251-ZW9-003	GASKET, CYLINDER HEAD	1	1	1	1	1	1	
4	12310-ZW9-000	COVER COMP., HEAD	1	1	1	1	1	1	
5	12312-ZW9-000	PACKING, HEAD COVER	1	1	1	1	1	1	
6	15611-921-000	CAP, OIL (NO GAUGE)	1	1	1	1	1	1	
7	16617-ZW9-000	HOLDER, CABLE (###)	1	1	1	1	1	1	
	16617-ZW9-010		1	1	1	1	1	1	

The number has been used from the initial model without revision.

When shown at the left side, it is applicable to the models of No.1001801 and the subsequent numbers.

When shown at the right side, it is applicable to the models up to No.1001800.

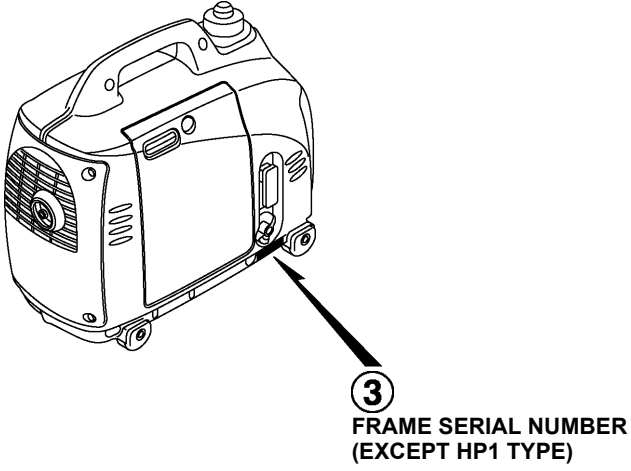
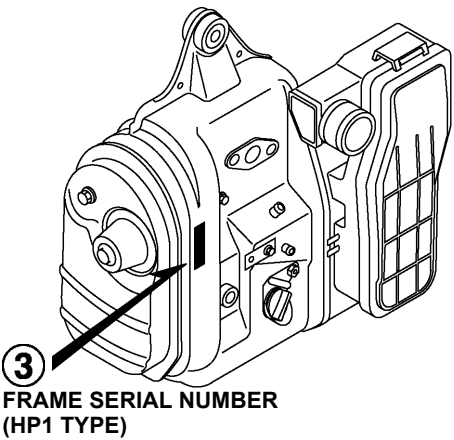
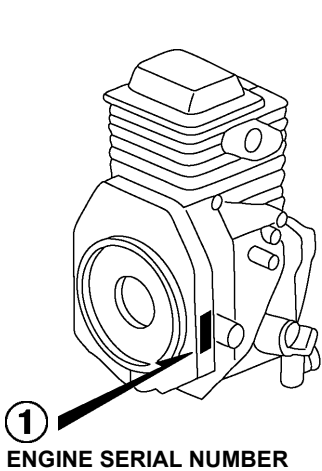
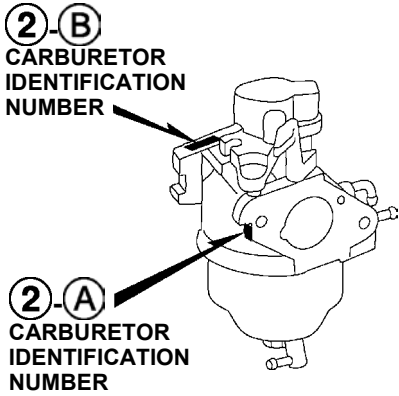
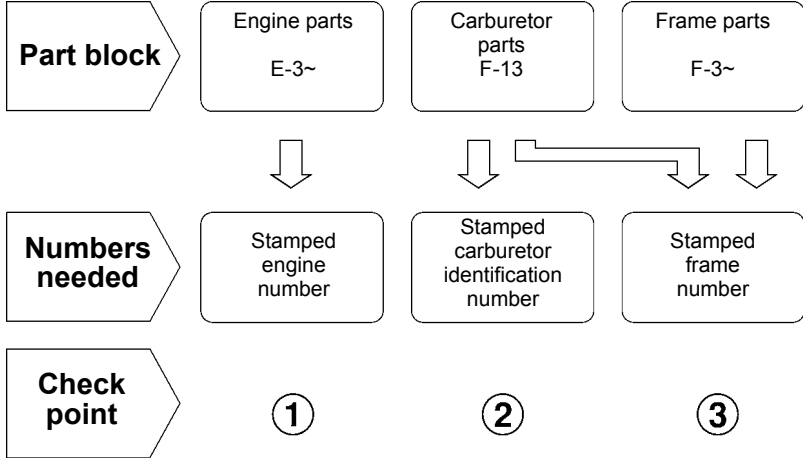
• The parts listed with "###" at the end of the parts name have limited supply period (parts not for sale).

**Abbreviations used in the parts catalogue**

• The following abbreviations are used in the parts name column.

- A ..... Ampere
- A.C. .... Alternating current
- ASSY. .... Assembly
- AT. .... Automatic transmission
- C.D.I. .... Capacitive discharge ignition
- COMP. ... Complete
- D.C. .... Direct current
- EX. .... Exhaust
- G.F.C.I ... Ground fault circuit interruptor
- HEX. .... Hexagonal
- H.S.T. .... Hydrostatic transmission
- FR. ....Front
- IN. ....Inlet
- L (100L) .Link (100 Links)
- L. ....Left
- MM .....Millimeter
- MT. ....Manual Transmission
- P.T.O. ....Power take off
- R. ....Right
- RR. ....Rear
- STD. ....Standard
- T (22T) ...Tooth (22 Teeth)
- V .....Volt
- W .....Watt

How to check the part block and serial numbers



### Models, parts catalogue codes and applicable serial numbers

1

- Models, parts catalogue codes and applicable serial Nos. given in this parts catalogue can be identified as follows.

Model	Type	Parts catalogue type	Engine		Applicable engine serial No.	Applicable frame serial No.	Applicable carburetor identification No.
			Model	Type			
EU10iT1	B	B	GXH50T	ED7	GCBWT-1000001~	EAAT-1000001~	BF30C G
	CL	CL					
	F	F					
	G	G					
	GW1	GW1		EU4			
	HP1	HP1		EU3			
	LB	LB		ED6			
	LL0	LL0					
	LL1	LL1					
	LT	LT					
					EAGT-1000001~		
					EAAT-1000001~		

Model	Type	Parts catalogue type	Engine		Applicable engine serial No.	Applicable frame serial No.	Applicable carburetor identification No.
			Model	Type			
EU10iT1	RG	RG	GXH50T	ED7	GCBWT-1000001~	EAAT-1000001~	BF30C G
	RH	RH		ED2			
	RR0	RR0		ED3			
	RR1	RR1					
	SB	SB					
	SK1	SK1					
	SS0	SS0					
	SS1	SS1					
	U	U					
	W	W		ED7			

\* Of carburetor identification numbers, only the portions underlined in the example below are used for registration.

BF 30C G KC ナ  
 (A) (B)

Features of each type

1

• See the following table for the features of each type. (Items in brackets are optional)

Specifications		Model	EU10iT1									
		Type	B	CL	F	G	GW1	HP1	LB	LL0	LL1	LT
Frequency	50Hz		●	●	●	●	●					
	60Hz								●	●	●	●
Consent	10A/250V											
	10/16A-250V			●								
	13A/250V	●										
	15A/125V									●	●	●
	15A/250V											
	16A/250V			●		●	●					
	20A/250V								●			

Specifications		Model	EU10iT1									
		Type	RG	RH	RR0	RR1	SB	SK1	SS0	SS1	U	W
Frequency	50Hz		●	●	●	●					●	●
	60Hz						●	●	●	●		
Consent	10A/250V			●	●	●	●		●	●		●
	10/16A-250V											
	13A/250V											
	15A/125V											
	15A/250V										●	
	16A/250V		●					●				
	20A/250V											

## Fuel hose, general purpose hoses and vinyl hose

1

- The standard part fuel hose, general purpose hose and vinyl hose may be substituted by the coiled bulk part.
- When ordering the standard part fuel hose, general purpose hose and vinyl hose use the bulk part number written in the parts catalog in brackets ( ) underneath the part name.
- When exchanging the hose, cut and use at the specified length as mentioned in the part name.  
(For the method of cutting the bulk part, and method of filling out orders etc., please refer to the instructions issued with the bulk part.)

### Bulk part number of fuel hose, general purpose hose and vinyl hose.

Example: 9 5 0 0 1 - 7 5 0 0 1 - 5 0 M

**Bulk part number:**  
Refers to the bulk part.

**Marking code (fuel hose and general purpose hose)**

**Change code (Vinyl hose)**

Indicates number mark or change sequence, however, the code for the bulk part must be strictly 0 (zero).

**Types of code:**

- |             |                                                        |                |             |              |               |
|-------------|--------------------------------------------------------|----------------|-------------|--------------|---------------|
| • Fuel hose | 2: Red outside braid<br>(3 mm inside dia. only)        | • General hose | 1: Ash gray | • Vinyl hose | 1: Clear      |
|             | 5: Black inside braid                                  |                | 2: Ash gray |              | 2: Black      |
|             | 3: Red (3 mm inside dia. only)                         |                | 3: Black    |              | 3: Light red  |
|             | 4: Ash gray with red stripe<br>(3 mm inside dia. only) |                | 5: Black    |              | 6: Light red  |
|             | 6: Black                                               |                |             |              | 7: Pale black |

**Lengths:**

- 001: 1 m (standard)  
003: 3 m  
008: 8 m } Application or specification of some parts is not settled.

**I.D code: (fuel hose and general purpose hose)**

- |            |                    |                    |                             |                             |
|------------|--------------------|--------------------|-----------------------------|-----------------------------|
| 30: 3.0 mm | 50: 5.0 mm         | 70: 7.0 mm         | 11: 11 mm                   | 12: 12 (outside dia. 17) mm |
| 35: 3.5 mm | 55: 5.3 mm, 5.5 mm | 75: 7.3 mm, 7.5 mm | 91: 12 (outside dia. 15) mm | 14: 14 mm                   |
| 45: 4.5 mm | 65: 6.5 mm         | 80: 8.0 mm         | 92: 12 (outside dia. 16) mm | 17: 17 mm                   |

**ID./OD. code: (vinyl hose)**

- |                         |                          |                           |                           |                           |
|-------------------------|--------------------------|---------------------------|---------------------------|---------------------------|
| 01: ID. 2.9, OD. 6.8 mm | 12: ID. 5.0, OD. 7.0 mm  | 21: ID. 8.0, OD. 9.0 mm   | 37: ID. 11.0, OD. 15.0 mm | 50: ID. 16.0, OD. 19.0 mm |
| 03: ID. 3.0, OD. 6.0 mm | 10: ID. 5.0, OD. 8.0 mm  | 23: ID. 8.0, OD. 12.0 mm  | 38: ID. 12.0, OD. 13.0 mm | 55: ID. 17.5, OD. 20.5 mm |
| 05: ID. 3.5, OD. 6.5 mm | 11: ID. 5.0, OD. 9.0 mm  | 25: ID. 9.0, OD. 11.0 mm  | 39: ID. 12.0, OD. 14.0 mm | 60: ID. 22.0, OD. 27.0 mm |
| 07: ID. 4.0, OD. 7.0 mm | 14: ID. 6.0, OD. 9.0 mm  | 27: ID. 9.0, OD. 13.0 mm  | 40: ID. 12.0, OD. 16.0 mm |                           |
| 08: ID. 4.5, OD. 6.5 mm | 17: ID. 7.0, OD. 9.0 mm  | 33: ID. 10.0, OD. 14.0 mm | 43: ID. 13.0, OD. 15.0 mm |                           |
| 09: ID. 4.5, OD. 8.0 mm | 19: ID. 7.0, OD. 11.0 mm | 36: ID. 11.0, OD. 13.0 mm | 45: ID. 14.0, OD. 18.0 mm |                           |

**Hose type:**

- 1: Fuel hose  
3: Vinyl hose  
5: General hose

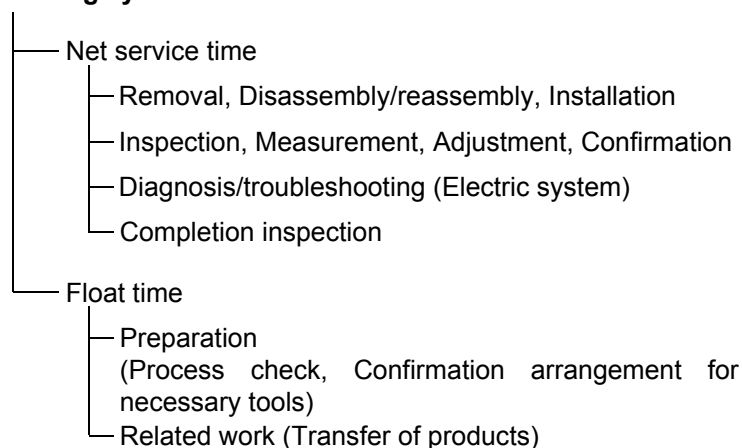
⊙ **CAUTION: It is DANGEROUS to confuse the fuel hose with the general purpose hose or vinyl hose.**

Never use a general purpose hose or vinyl hose in place of a fuel hose or vice versa. Always use the correct bulk part in the parts catalogue, according to the service manual or the instructions issued with the bulk part.

## FLAT RATE SERVICE TIME

Flat rate service time (FRT) means the standard time required to service a product, which is listed in this manual to help the dealers control the actual working process and calculate the service charge by using it as a guide.

### FRT setting system



\* Float time is set by multiplying the net service time by a given coefficient.

### Editorial style

The service items shown in the text are listed with the exchange work time for the repair sales parts as the subject. Other representative service items not using repair parts (removal/installation, adjustment, inspection/measuring, and other work) are listed collectively in the list in the preface, classified according to the work.

### FRT setting standard

- Decimal system (in unit of 0.1) is adopted to set FRT as it is convenient to calculate the wage.  
Example: (0.1) → 6 minutes, (0.2) → 12 minutes  
[Labor cost per hour] x [FRT] = [Wage]
- FRT is set with a hand tool.
- Service items and FRT can be subject to change depending on development of tools and service equipment and improvement in service procedure.

**Work procedure**

- As the work procedure is set with the work time according to the method in the separate Service Manual, refer to this Manual as required.
- Work methods permitting servicing in the shortest time still permitting assurance of safe work and product warranty are used for the setting of service items not listed in the Service Manual.
- Work basically is to be performed by one person, and when two or more people are required, setting is done as the total time for the number of people.
- The set value for the technological level of the workers uses a person with three years of experience in the repair of Honda products as the standard.
- Special tools and service equipment used to set FRT are those specified or recommended in Service Manual.

**Service item whose FRT is not presented**

- Accessories and service parts that are not listed to use in this manual.
  - Locations with little aging deterioration or breakage during normal use.
  - Service work that can be finished by one touch.
  - Service work that is seldom done (i.e. extremely small causes of trouble and service frequency).
  - Products and parts whose location for installation differs according to its status of use and application.
- \* When FRT is not presented, please calculate wages based on appropriate actual work time.

**Operation not included of FRT**

- Oil and coolant water draining, Waiting time for warming up operation and etc..
- Additional operation that involves removal/installation of standard exterior equipment.
- Indirect time spent for service by visiting the customer, trade-in, and delivery.
- Indirect time required for ordering and delivery of parts.
- Cost for grease, adhesive agent, etc. used for service work.

**Explanation of FRT by using an example  
(The example may differ from the actual presented items)**

Ref. No.	L.O.N.	(Relative ref. Number) Description	F.R.T.
①	1111L1	④ VALVE, INTAKE ..... 4.1	②
②		⑧ (1, 3, 4, 7)	
③	1111L1A	⑥ • NOTE: OHV type	⑦
		⑦ • Includes: Engine removal and installation	
		⑤ One head (intake all) add ..... 1.4	

- ① Reference No. of the illustration of part that shows location of the replacement work.
- ② FRT is an abbreviation of Flat Rate Time indicating the standard service time required for the replacement.
- ③ LON is an abbreviation of Labor Operation Number, and it is a classification of the service items by the work unit code.

The same operation code is used regardless of the models.

Standard operation is indicated with 6 digits code, and additional operation is indicated with 7 digits code.

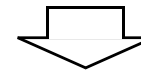
- ④ Indicating the intake valve replacement and FRT4.1.
- ⑤ Indicating FRT1.4 that will be added when additional operation (whole intake side of one cylinder head) is done in association with intake valve replacement.

- ⑥ Indicating work condition or application condition of the service item.
- ⑦ Indicating work contents that are included in the service item.
- ⑧ Indicating a reference No. whose operation and time are the same as FRT4.1 for the intake valve.

(The application range is limited to the service items without an LON setting within a same block.)

**How to refer to the service item by using the sample  
(intake valve replacement)**

Open to the page of the block where the intake valve's spare part illustration is shown.



Look for the intake valve illustration, and refer to the service item and FRT that agree with the reference No.

Indication mark for the listing of service items that continues to the following page

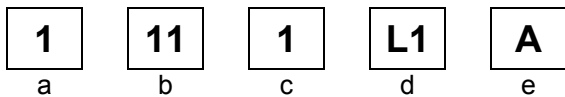
Ref. No.	L.O.N.	(Relative ref. Number) Description	F.R.T.
2	1111L1	VALVE, INTAKE .....	4.1
	.	.	.
	.	.	.

+  
Mark indicated at the last line.

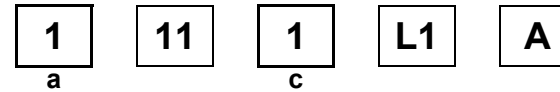
Indication of the block with no setting of FRT

Ref. No.	L.O.N.	(Relative ref. Number) Description	F.R.T.
<b>NO INFORMATION .....</b>			

• LON code system



- a) Category code..... Engine
- b) Location/function code..... Engine upper
- c) Operation code..... Replace
- d) Operation sequence number (Unit code can be shown with alphabet)  
..... Intake valve  
(No regular rule of code)
- e) Additional code ..... One head (intake all)  
(No regular rule of code)



a) Category codes and classification

Code	Category
1	Engine
2	Power drive
3	Fuel & Exhaust
4	Frame & Body
5	Steering
6	Electrical
7	Axle & Brake
8	Control system
9	-
0	Attachments

c) Operation codes and classification

Code	Operation category
1	Replace, Removal/Installation, Change
2	Overhaul
3	Adjust, Rotation
4	(Paint-related work: Top-coat)
5	Test, Inspect/diagnose, Measurement
6	(Overhaul-related work: Rebore)
7	(Overhaul-related work: Reseal)
8	(Resurface)
9	(Paint-related work: Refinish)
0	Repair, Cleaning, Air bleeding

Major service items without using spare parts

- (1) Removal/Installation, (2) Adjustment,  
(3) Inspection/Masurement, (4) Overhaul, (5) Other work

E: Engine, T: Transmission, D: Drive system,  
B: Body and related parts

### (1) Removal/Installation

Set with the parts configuration in the status of being removed from the product.

	LON	DESCRIPTION	FRT
E	1001A2	ENGINE-REMOVAL/INSTALLATION	0.8
B	6221E2	INVERTER UNIT-REMOVAL/INSTALLATION	0.5

### (2) Adjustment

	LON	DESCRIPTION	FRT
E	1113A1	VALVE CLEARANCE-ADJUSTMENT NOTE: For 1 product	1.0
	3113A2	CARBURETOR IDLE-ADJUSTMENT	0.2

### (3) Inspection, Measurement, Cleaning

	LON	DESCRIPTION	FRT
E	1105A0	ENGINE OIL-INSPECTION	0.1
	3120A0	AIR CLEANER-CLEANING INCLUDES: Air cleaner-inspection	0.2
	3130A0	SPARK ARRESTER-CLEANING INCLUDES: Spark arrester-inspection	0.3
	6140A0	SPARK PLUG-ADJUSTMENT/CLEANING INCLUDES: Spark plug check NOTE: For 1 product	0.1

### (4) Overhaul

Work condition: The required Measurements, inspections, adjustments, and cleaning/washing of each part are performed, including the main body removal/installation work and the replacement of defective parts.

	LON	DESCRIPTION	FRT
E	3112A0	CARBURETOR-OVERHAUL INCLUDES: All necessary adjustment	0.6

### (5) Other work

	LON	DESCRIPTION	FRT
E	1101E1	ENGINE OIL-CHANGE INCLUDES: Engine oil-inspection	0.1

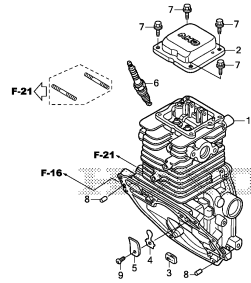
# ENGINE GROUP

**B16**

**E-3**

CYLINDER BARREL

**D 1**

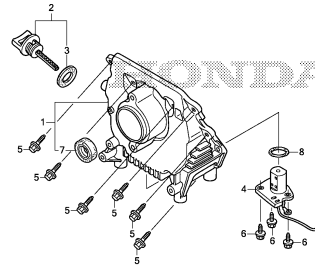


Z403E000

**E-5**

OIL CASE

**D 2**

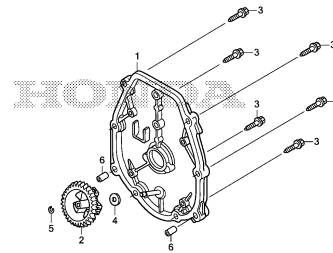


Z403E000

**E-6**

CRANKCASE COVER

**D 3**

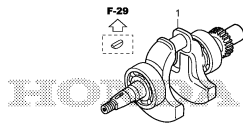


Z403E000

**E-7**

CRANKSHAFT

**D 4**

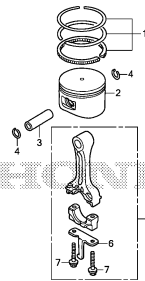


Z403E000

**E-8**

PISTON/CONNECTING ROD

**D 5**

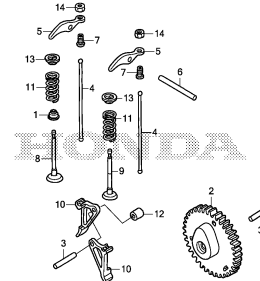


Z403E000

**E-9**

CAMSHAFT

**D 6**



Z403E000

**2**

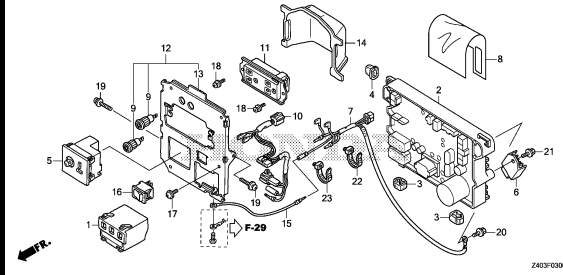
# FRAME GROUP

C 1

F-3

CONTROL PANEL(1)

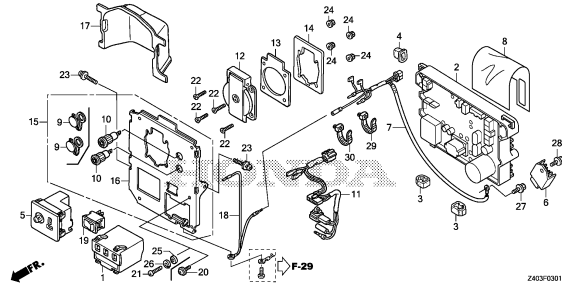
E 1



F-3-1

CONTROL PANEL(2)

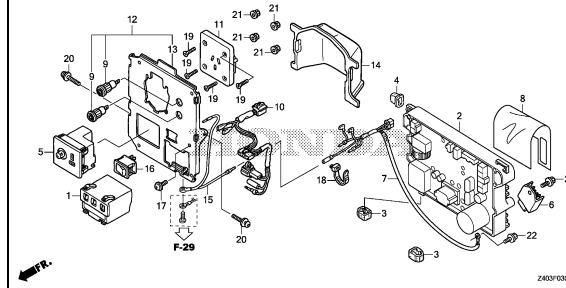
E 3



F-3-2

CONTROL PANEL(3)

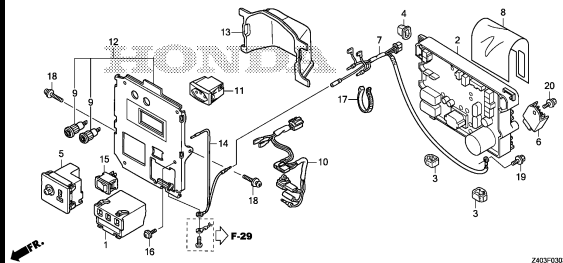
E 5



F-3-3

CONTROL PANEL(4)

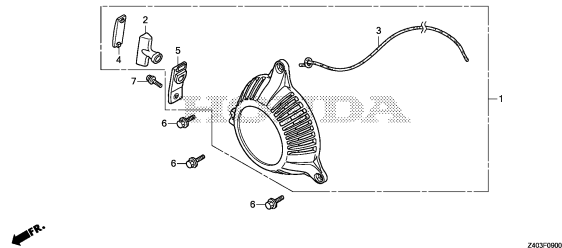
E 6



F-9

RECOIL STARTER

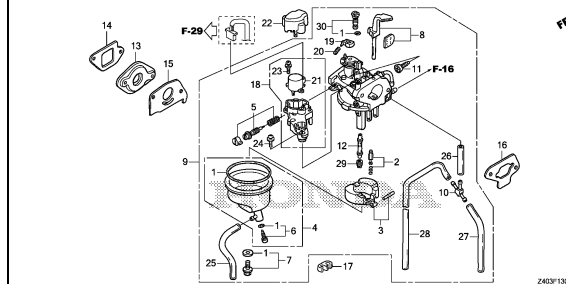
E 7



F-13

CARBURETOR

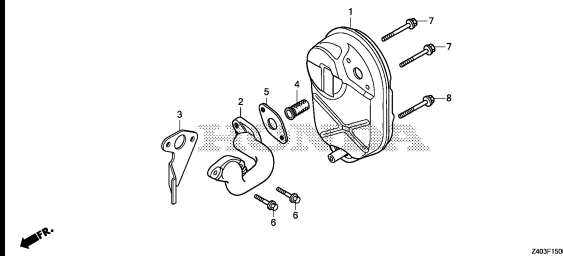
E 8



F-15

MUFFLER

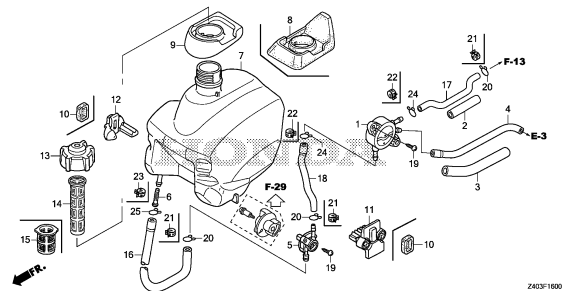
E10



F-16

FUEL TANK

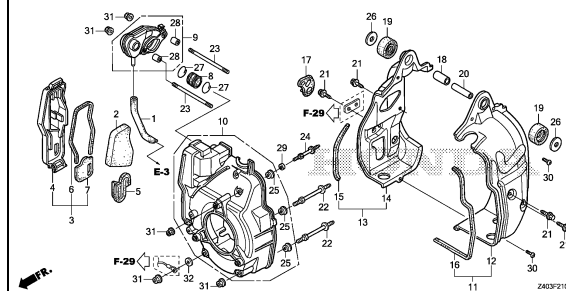
E11



F-21

AIR CLEANER/SHROUD

E13



3

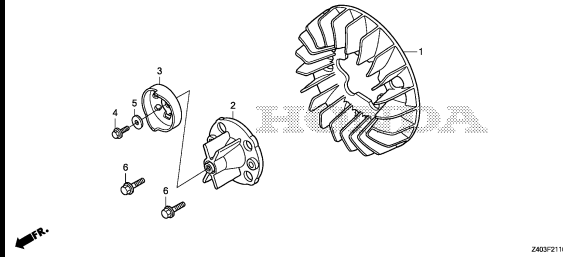
# FRAME GROUP

C 2

F-21-10

COOLING FAN

E15

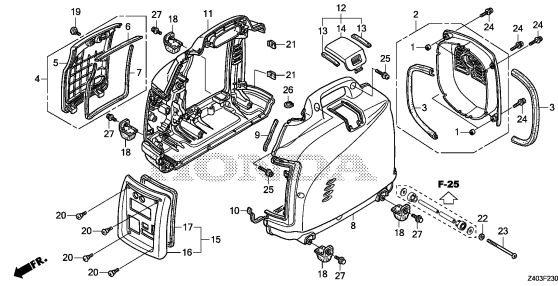


Z403F2110

F-23

FRONT COVER/SIDE COVER

E16

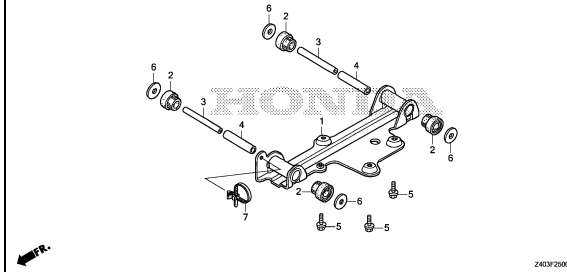


Z403F2300

F-25

ENGINE BED

F 2

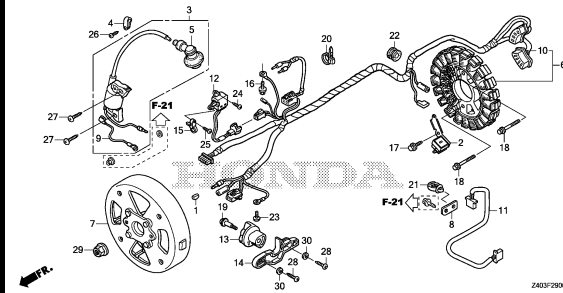


Z403F2500

F-29

IGNITION COIL/GENERATOR

F 3

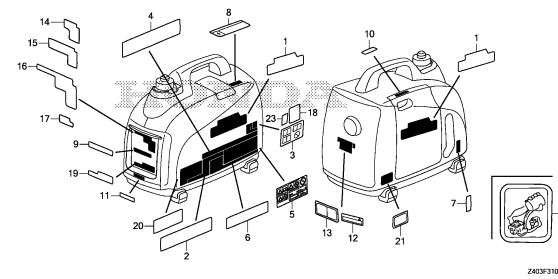


Z403F2900

F-31

LABEL

F 5

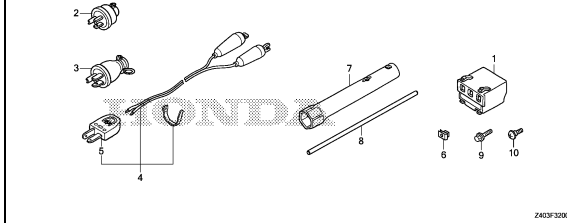


Z403F3100

F-32

TOOL/OTHER PARTS

F 7

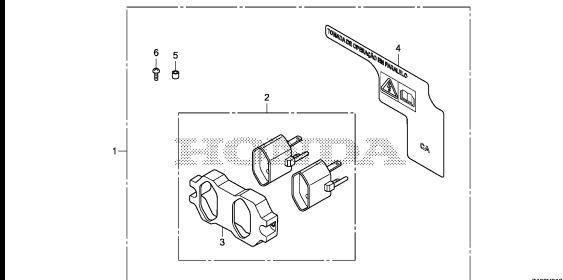


Z403F3200

FOP-1

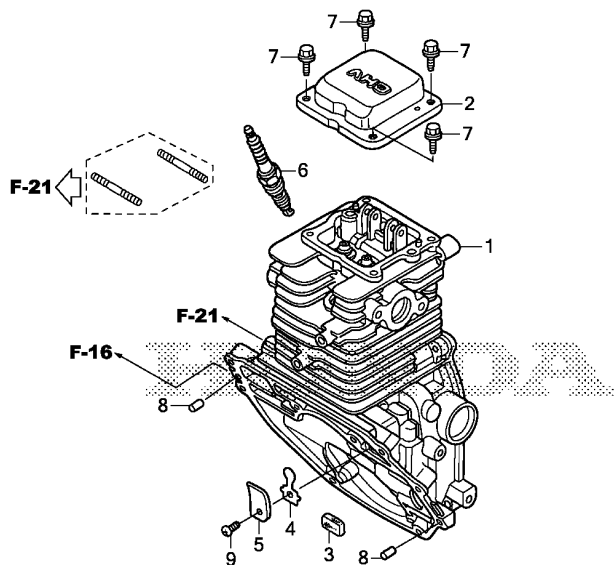
CONSENT KIT

F 8



Z403Y0100

3

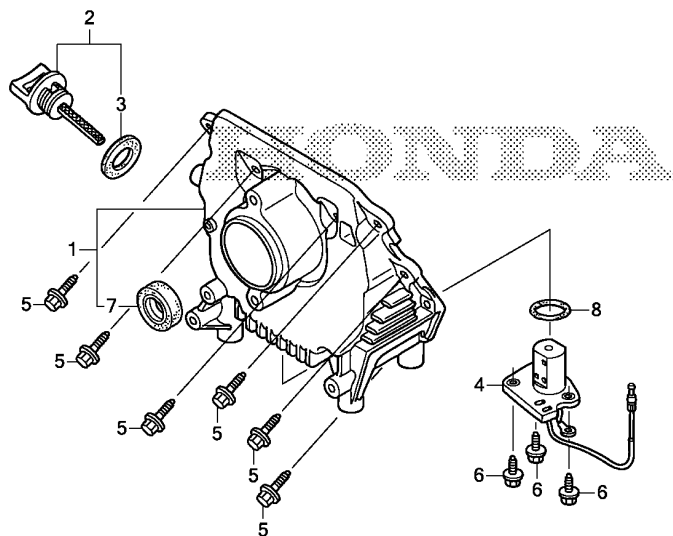


Z403E0300

Ref. No.	L.O.N.	(Relative ref. Number) Description	F.R.T.
1	1101A0	BARREL, CYLINDER ..... .INCLUDES: Engine removal and installation	2.8
2	1111D5	CYLINDER HEAD COVER AND/OR PACKING ..... .INCLUDES: Engine removal and installation	0.9
3	1111E5	FILTER, BREATHER ..... .INCLUDES: Engine removal and installation	1.4
4	1171A8	VALVE, OIL OUTLET ..... .INCLUDES: Engine removal and installation	1.4
6	6141C1	PLUG, SPARK ..... .INCLUDES: Spark plug check	0.1

Ref. No.	Part No.	Description	Reqd. QTY	Serial No.	Parts catalogue code
			EU 10i T1		
1	12100-ZM7-425	BARREL COMP., CYLINDER .....	1		
2	12311-ZM7-010	COVER, HEAD .....	1		
3	12367-ZM7-000	FILTER, BREATHER .....	1		
4	15571-ZM7-003	VALVE, OIL OUTLET .....	1		
5	15572-ZM7-000	PLATE, STOPPER .....	1		
6	31914-Z8Y-003	PLUG, SPARK(LR4C-E)(NGK) ....	1		
7	90003-892-000	BOLT, FLANGE, 5X12 .....	4		
8	91101-Z0G-003	ROLLER, 6X14.8 .....	2		
9	93500-03005-0A	SCREW, PAN, 3X5 .....	1		





Z403E0500

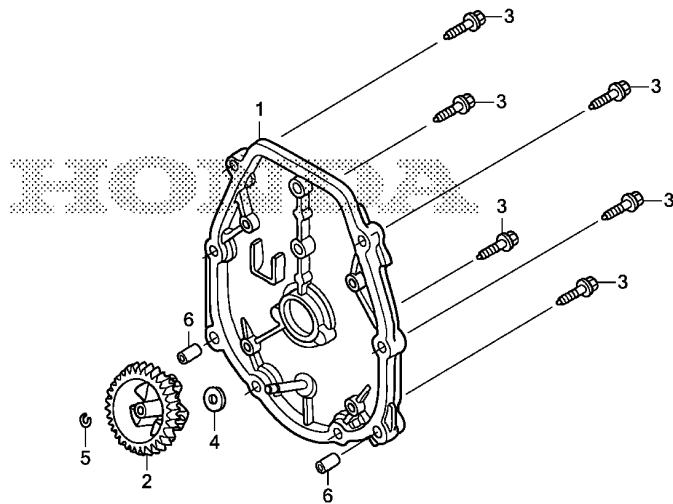
Ref. No.	L.O.N.	(Relative ref. Number) Description	F.R.T.
1	1101H1	OIL CASE AND/OR PACKING ..... .INCLUDES: Engine removal and installation	1.5
4	6151E8	SWITCH, OIL LEVEL ..... .INCLUDES: Engine removal and installation	0.9
7	1101E4	OIL SEAL, CRANKSHAFT :FRONT .. .INCLUDES: Engine removal and installation	1.5

Ref. No.	Part No.	Description	Reqd. QTY		Serial No.	Parts catalogue code
			EU	10i		
1	11300-ZM7-415	CASE ASSY., OIL .....	1			
2	15600-ZDF-000	CAP ASSY., OIL FILLER .....	1			
3	15625-ZOT-800	PACKING, OIL FILLER CAP .....	1			
4	35480-ZM7-D02	SWITCH ASSY., OIL LEVEL .....	1			
5	90006-ZM7-000	BOLT, FLANGE, 5X23 .....	8			
6	90012-896-750	BOLT, FLANGE, 5X14 .....	3			
7	91202-HC5-003	OIL SEAL, 17X27X5 (ARAI) .....	1			
8	91301-ZM7-003	O-RING, 34.6X2.5 .....	1			

E-6

CRANKCASE COVER

D 3



Z403E0600

Ref. No.	L.O.N.	(Relative ref. Number) Description	F.R.T.
1	1101F1	COVER, CRANKCASE ..... .INCLUDES: Engine removal and installation	1.5
2	1161A7	HOLDER, GOVERNOR WEIGHT ..... .INCLUDES: Engine removal and installation	1.5

Ref. No.	Part No.	Description	Reqd. QTY	Serial No.	Parts catalogue code
			EU 10i T1		
1	11340-ZM7-D02	COVER COMP., CRANKCASE SIDE	1		
2	16512-ZM7-D00	HOLDER, GOVERNOR WEIGHT	1		
3	90006-ZM7-000	BOLT, FLANGE, 5X23	6		
4	90441-ZM7-000	WASHER, 4.2X13	1		
5	90602-ZM7-000	CLIP, GOVERNOR HOLDER	1		
6	94301-06100	DOWEL PIN, 6X10	2		

2

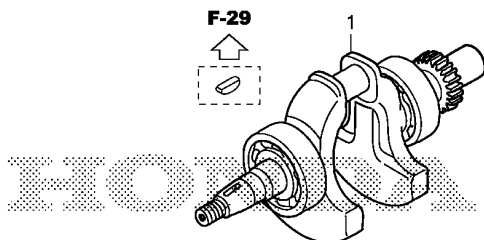
E-7

CRANKSHAFT

**D 4**

Ref. No.	L.O.N.	(Relative ref. Number) Description	F.R.T.
----------	--------	------------------------------------	--------

1	1101F0	CRANKSHAFT ..... .INCLUDES: Engine removal and installation	2.2
---	--------	----------------------------------------------------------------	-----

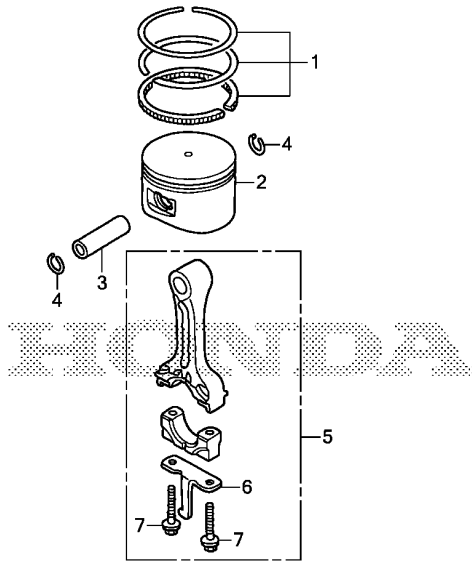


Z403E0700

FR.

Ref. No.	Part No.	Description	Reqd. QTY	Serial No.	Parts catalogue code
			EU 10i T1		
1	13310-ZM7-D01	CRANKSHAFT COMP. ....	1		

2

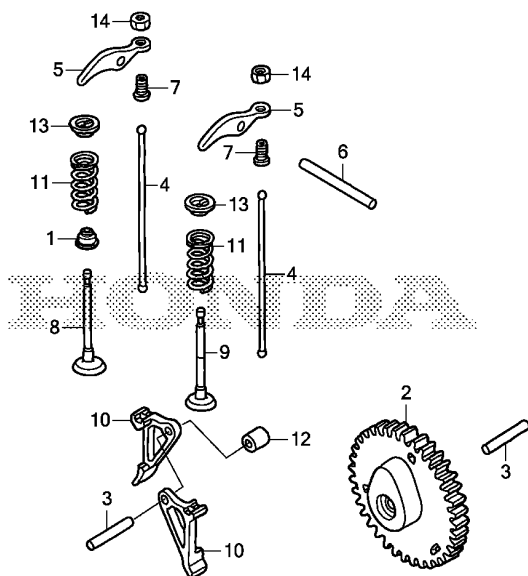


Z403E0800

Ref. No.	L.O.N.	(Relative ref. Number) Description	F.R.T.
2	1111R1	(1,3,5) PISTON AND/OR RING SET AND/OR BEARING AND/OR ROD ..... .INCLUDES: Engine removal and installation .INCLUDES: Inspection/Measurement/Cleaning	2.5

Ref. No.	Part No.	Description	Reqd. QTY	Serial No.	Parts catalogue code
			EU 10i T1		
1	13010-ZM7-D00	RING SET, PISTON(STD.) .....	1		
2	13101-ZM7-010	PISTON(STD.) .....	1	-----	B,CL,F,G,HP1,LB,LL0,LL1,LT,RG,RH,RR0,RR1,SB,SK1,SS0,SS1,U,W
	13101-ZM7-800	.....	1	-----	GW1
3	13111-122-000	PIN, PISTON, 10X33 .....	1		
4	13115-147-000	CLIP, PISTON PIN, 10MM .....	2		
5	13200-ZM7-800	ROD ASSY., CONNECTING .....	1		
6	13281-ZM7-010	DIPPER, CONNECTING ROD .....	1		
7	90001-ZM7-000	BOLT, CONNECTING ROD .....	2		



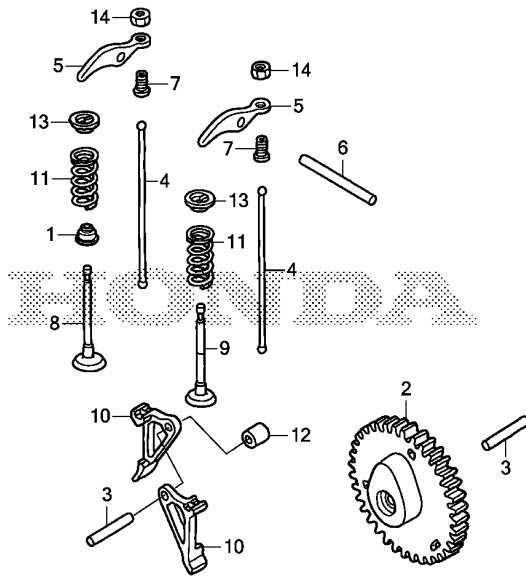


Z403E0900

Ref. No.	L.O.N.	(Relative ref. Number) Description	F.R.T.
1	1111K2	SEAL, INTAKE VALVE STEM ..... .INCLUDES: Engine removal and installation .INCLUDES: Valve clearance adjustment	2.5
2	1111C2	CAMSHAFT ..... .INCLUDES: Engine removal and installation .INCLUDES: Valve clearance adjustment	1.3
4	1111L6	ROD, PUSH :INTAKE ..... .INCLUDES: Engine removal and installation .INCLUDES: Valve clearance adjustment	1.4
	1111L7	ROD, PUSH :EXHAUST ..... .INCLUDES: Engine removal and installation .INCLUDES: Valve clearance adjustment	1.4
	1111L8	ROD, PUSH :BOTH ..... .INCLUDES: Engine removal and installation .INCLUDES: Valve clearance adjustment	1.5

← MFR.

Ref. No.	Part No.	Description	Reqd. QTY	Serial No.	Parts catalogue code
			EU 10i T1		
1	12209-ZM7-003	SEAL, VALVE STEM .....	1		
2	14100-ZM7-010	CAMSHAFT ASSY. ....	1	-----	B,CL,F,G,GW1,LB,LL0,LL1,LT,RG,RH,RR0,RR1,SB,SK1,SS0,SS1,U,W
	14100-ZM7-D70	CAMSHAFT ASSY. (FOR THE FIRE DEFENSE AGENCY)	1	-----	HP1
3	14126-Z0G-003	ROLLER(5X29.8) .....	2		
4	14410-ZM7-000	ROD, PUSH .....	2		
5	14431-ZM7-000	ARM, VALVE ROCKER .....	2		
6	14435-ZM7-003	ROLLER(4X37.8) .....	1		
7	14451-ZM7-000	PIVOT, ROCKER ARM .....	2		
8	14711-ZM7-000	VALVE, IN. ....	1		
9	14721-ZM7-000	VALVE, EX. ....	1		
10	14731-ZM7-013	LIFTER, VALVE .....	2		
11	14751-ZM7-000	SPRING, VALVE .....	2		
12	14754-ZM7-000	COLLAR, LIFTER .....	1		
13	14771-ZM3-010	RETAINER, VALVE SPRING .....	2		
14	90206-KM3-000	NUT, TAPPET ADJUSTING .....	2		

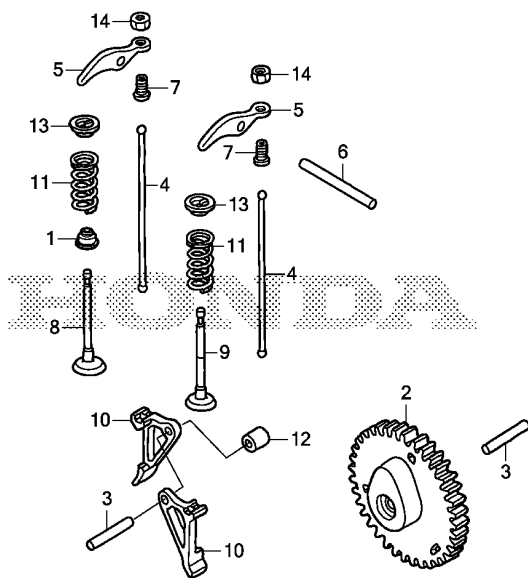


← MFR.

Z403E0900

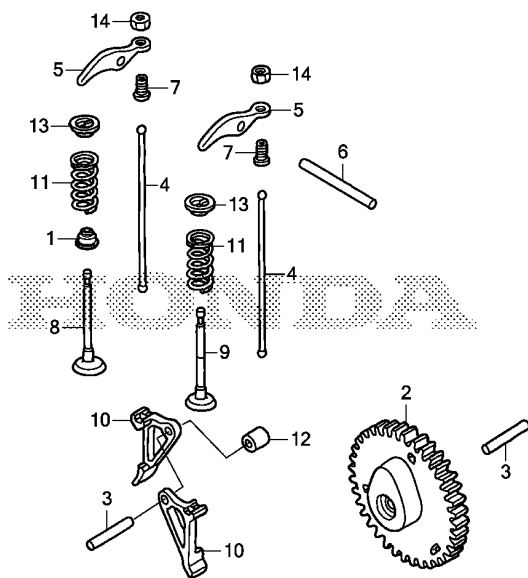
Ref. No.	L.O.N.	(Relative ref. Number) Description	F.R.T.
5	1111A2	ARM, ROCKER :INTAKE ..... .INCLUDES: Engine removal and installation .INCLUDES: Valve clearance adjustment	1.2
	1111A2A	.Replace exhaust rocker arm add .....	0.1
	1111A1	ARM, ROCKER :EXHAUST ..... .INCLUDES: Engine removal and installation .INCLUDES: Valve clearance adjustment	1.2
	1111A1A	.Replace intake rocker arm add .....	0.1
8	1111L1	VALVE, INTAKE ..... .INCLUDES: Engine removal and installation .INCLUDES: Valve clearance adjustment	2.6
	1111L1E	.Replace intake and exhaust all add .....	0.2
9	1111L0	VALVE, EXHAUST ..... .INCLUDES: Engine removal and installation .INCLUDES: Valve clearance adjustment	2.6
		+	

2



Z403E0900

Ref. No.	L.O.N.	(Relative ref. Number) Description	F.R.T.
+ 9	1111L0E	.Replace intake and exhaust all add .....	0.2
10	1111L9	LIFTER, VALVE :INTAKE .....	1.4
		.INCLUDES: Engine removal and installation	
		.INCLUDES: Valve clearance adjustment	
	1111M0	LIFTER, VALVE :EXHAUST .....	1.4
		.INCLUDES: Engine removal and installation	
		.INCLUDES: Valve clearance adjustment	
	1111M1	LIFTER, VALVE :BOTH .....	1.4
		.INCLUDES: Engine removal and installation	
		.INCLUDES: Valve clearance adjustment	
11	1111P3	SPRING, VALVE :INTAKE .....	2.5
		.INCLUDES: Engine removal and installation	
		.INCLUDES: Valve clearance adjustment	
	1111P3A	.Replace intake and exhaust all add .....	0.1
+ 11	1111P4	SPRING, VALVE :EXHAUST .....	2.5



← MFR.

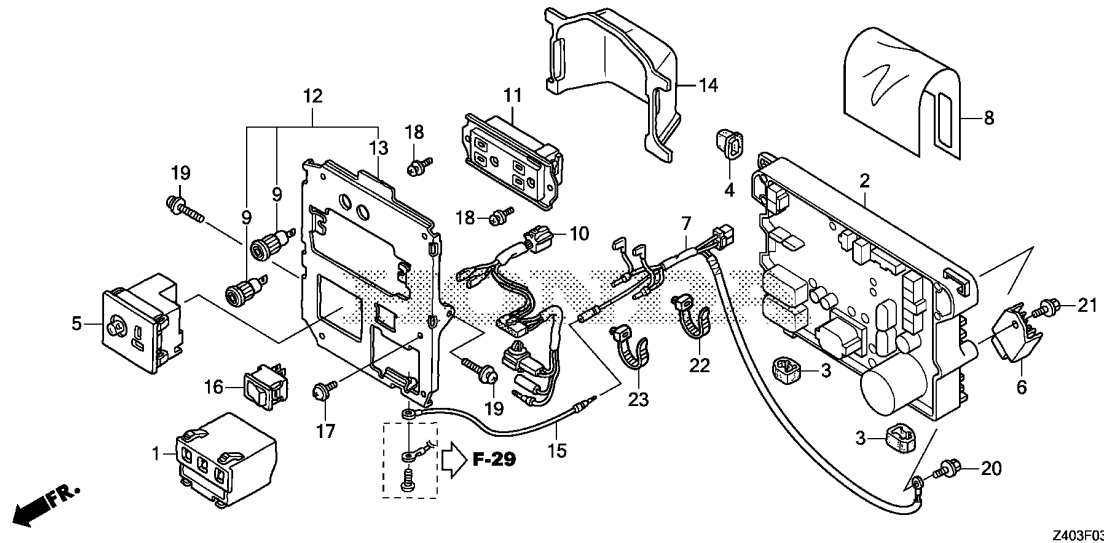
Z403E0900

Ref. No.	L.O.N.	(Relative ref. Number) Description	F.R.T.
+11		.INCLUDES: Engine removal and installation .INCLUDES: Valve clearance adjustment	
1111P4A		.Replace intake and exhaust all add .....	0.1

F-3

CONTROL PANEL(1)

E 1

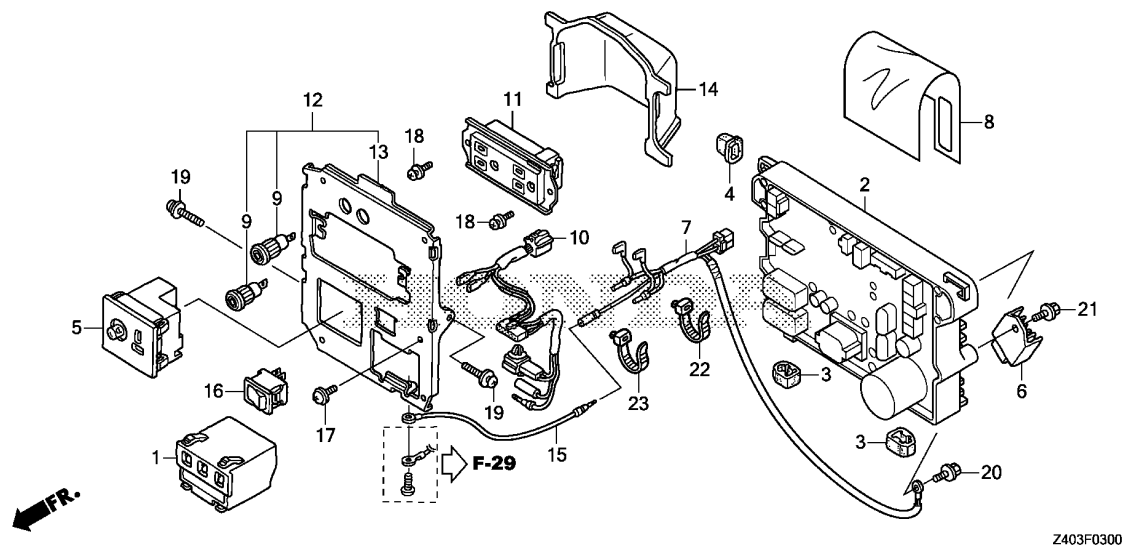


Z403F0300

Ref. No.	L.O.N.	(Relative ref. Number) Description	F.R.T.
1	6201D0	SPARK UNIT, GENERATOR .....	0.4
2	6221F7	INVERTER UNIT, GENERATOR .....	0.8
3	6221J7	RUBBER A, INVERTER .....	0.5
		.NOTE: Same time for two units	
4	6221J8	RUBBER B, INVERTER .....	0.5
5	6221A9	CONSENT, DIRECT CURRENT .....	0.4
6	6201A8	RECTIFIER, GENERATOR (CONTROL PANEL) .....	0.3
7	6111D3	HARNESS, SUB WIRE .....	0.6
9	6221P3	SOCKET, COMPOSITE .....	0.3
		.NOTE: Same time for two units	
10	6111B9	HARNESS, CONTROL WIRE .....	0.5
11	6221D5	RECEPTACLE/CONSENT, CONTROL PANEL .....	0.4
12		(13)	
	6221N9	PANEL, GENERATOR CONTROL .....	0.6
14	4131N7	COVER, CONTROL PANEL .....	0.2
16	6151E5	SWITCH, AUTO THROTTLE .....	0.3

Ref. No.	Part No.	Description	Reqd. QTY		Serial No.	Parts catalogue code
			EU	10i		
1	30400-ZT3-C02	SPARK UNIT .....	1	-----	-----	LLO,LL1,LT,RH,RR0,RR1,SS0,SS1
2	31310-ZT3-P12	INVERTER UNIT .....	1	-----	-----	LLO,LL1,LT
	31310-ZT3-E62	.....	1	-----	-----	RH
	31310-ZT3-D22	.....	1	-----	-----	RRO
	31310-ZT3-F62	.....	1	-----	-----	RR1,SS0,SS1
3	31319-ZT3-000	RUBBER A, INVERTER .....	2	-----	-----	LLO,LL1,LT,RH,RR0,RR1,SS0,SS1
4	31324-ZT3-000	RUBBER B, INVERTER .....	1	-----	-----	LLO,LL1,LT,RH,RR0,RR1,SS0,SS1
5	31460-ZT3-C01	CONSENT COMP., D.C. ....	1	-----	-----	LLO,LL1,LT,RH,RR0,RR1,SS0,SS1
6	31710-ZS9-A02	RECTIFIER ASSY. ....	1	-----	-----	LLO,LL1,LT,RH,RR0,RR1,SS0,SS1
7	32105-ZT3-L30	HARNESS ASSY., SUB WIRE .....	1	-----	-----	LLO
	32105-ZT3-P10	.....	1	-----	-----	LL1,LT
	32105-ZT3-E60	.....	1	-----	-----	RH
	32105-ZT3-E70	.....	1	-----	-----	RR0,RR1,SS0,SS1
8	32118-ZT3-P10	SHEET, WATER PROOF .....	1	-----	-----	LLO,LL1,LT,RH,RR0,RR1,SS0,SS1
9	32139-ZC3-G01	SOCKET, COMPOSITE .....	2	-----	-----	LL1,LT,RH,RR1,SS1
10	32150-ZT3-P11	HARNESS ASSY., CONTROL WIRE .....	1	-----	-----	LLO,LL1,LT
	32150-ZT3-E61	.....	1	-----	-----	RH
	32150-ZT3-E81	.....	1	-----	-----	RR0,RR1
	32150-ZT3-E71	.....	1	-----	-----	SS0,SS1
11	32330-ZT3-C31	CONSENT ASSY.(15A/125V) .....	1	-----	-----	LLO,LL1,LT
	32330-ZT3-C71	CONSENT ASSY.(250V/10A) .....	1	-----	-----	RH,RR0,RR1,SS0,SS1
12	32345-ZT3-C01	PANEL COMP., CONTROL .....	1	-----	-----	LL1,LT,RH,RR1,SS1
13	32346-ZT3-C01	PANEL, CONTROL .....	1	-----	-----	LLO,LL1,LT,RH,RR0,RR1,SS0,SS1
14	32351-ZT3-000	COVER, CONTROL PANEL .....	1	-----	-----	LLO,LL1,LT,RH,RR0,RR1,SS0,SS1
15	32601-ZT3-C70	CABLE, EARTH .....	1	-----	-----	RH,RR0,RR1,SS0,SS1
16	36214-ZS9-A01	SWITCH COMP., AUTO-THROTTLE .....	1	-----	-----	LLO,LL1,LT,RH,RR0,RR1,SS0,SS1

3



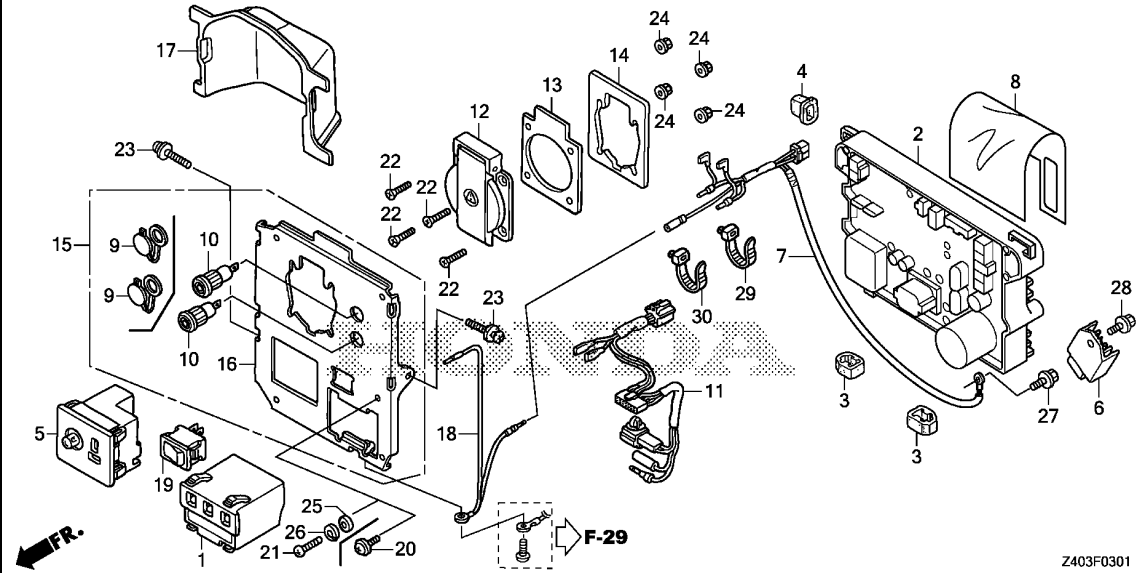
Z403F0300

Ref. No.	Part No.	Description	Reqd. QTY		Serial No.	Parts catalogue code
			EU	10i		
17	90102-899-003	SCREW, PAN, 5X12	1	T1	-----	-----
18	93891-04006-00	SCREW-WASHER, 4X6	2		-----	LLO,LL1,LT,RH,RR0,RR1,SS0,SS1
19	93891-05020-07	SCREW-WASHER, 5X20	2		-----	LLO,LL1,LT,RH,RR0,RR1,SS0,SS1
20	95701-06010-08	BOLT, FLANGE, 6X10	1		-----	LLO,LL1,LT,RH,RR0,RR1,SS0,SS1
21	95701-06012-08	BOLT, FLANGE, 6X12	1		-----	LLO,LL1,LT,RH,RR0,RR1,SS0,SS1
22	91560-SE0-003	BAND A, HARNESS(NATURAL)	1		-----	RR0,RR1,SS0,SS1
23	91560-SE0-003	BAND A, HARNESS(NATURAL)	1		-----	RH,RR0,RR1,SS0,SS1

# F-3-1

# CONTROL PANEL(2)

E 3



Ref. No.	L.O.N.	(Relative ref. Number) Description	F.R.T.
1	6201D0	SPARK UNIT, GENERATOR .....	0.4
2	6221F7	INVERTER UNIT, GENERATOR .....	0.8
3	6221J7	RUBBER A, INVERTER .....	0.5
		.NOTE: Same time for two units	
4	6221J8	RUBBER B, INVERTER .....	0.5
5	6221A9	CONSENT, DIRECT CURRENT .....	0.4
6	6201A8	RECTIFIER, GENERATOR (CONTROL PANEL) .....	0.3
7	6111D3	HARNESS, SUB WIRE .....	0.6
10	6221P3	SOCKET, COMPOSITE .....	0.3
		.NOTE: Same time for two units	
11	6111B9	HARNESS, CONTROL WIRE .....	0.5
12	6221D5	RECEPTACLE/CONSENT, CONTROL PANEL .....	0.4
15	6221N9	PANEL, GENERATOR CONTROL .....	0.6
17	4131N7	COVER, CONTROL PANEL .....	0.2
19	6151E5	SWITCH, AUTO THROTTLE .....	0.3

Z403F0301

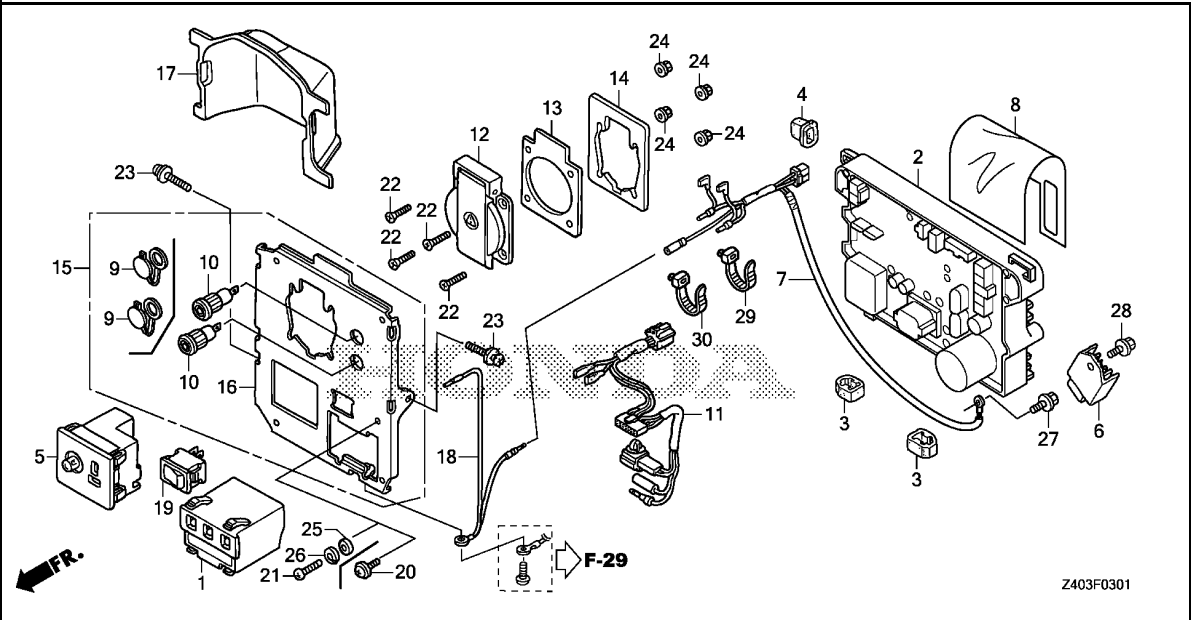
Ref. No.	Part No.	Description	Reqd. QTY		Serial No.	Parts catalogue code
			EU	10i		
1	30400-ZT3-C02	SPARK UNIT .....	1			B,CL,F,G,GW1,RG,SK1,W
2	31310-ZT3-E62	INVERTER UNIT .....	1			B,CL,F,G,GW1,RG,W
	31310-ZT3-F62	.....	1			SK1
3	31319-ZT3-000	RUBBER A, INVERTER .....	2			B,CL,F,G,GW1,RG,SK1,W
4	31324-ZT3-000	RUBBER B, INVERTER .....	1			B,CL,F,G,GW1,RG,SK1,W
5	31460-ZT3-C01	CONSENT COMP., D.C. ....	1			B,CL,F,G,GW1,RG,SK1,W
6	31710-ZS9-A02	RECTIFIER ASSY. ....	1			B,CL,F,G,GW1,RG,SK1,W
7	32105-ZT3-E60	HARNESS ASSY., SUB WIRE .....	1			B,CL,F,G,GW1,RG,W
	32105-ZT3-E70	.....	1			SK1
8	32118-ZT3-P10	SHEET, WATER PROOF .....	1			B,CL,F,G,GW1,RG,SK1,W
9	32138-Z07-E60	COVER, SOCKET .....	2			B,CL,F,G,GW1,W
10	32139-ZC3-G01	SOCKET, COMPOSITE .....	2			B,CL,F,G,GW1,RG,W
11	32150-ZT3-E61	HARNESS ASSY., CONTROL WIRE .....	1			B,CL,F,G,GW1,RG,W
	32150-ZT3-E71	.....	1			SK1
12	32331-Z07-C90	RECEPTACLE(13A/250V) .....	1			B
	32331-Z25-A60	RECEPTACLE(16A-250V) .....	1			CL,G,RG
	32331-Z07-D50	RECEPTACLE(10/16A-250V) .....	1			F
	32331-Z25-640	RECEPTACLE(16A-250V) .....	1			GW1
	32331-ZT3-C60	RECEPTACLE(16A/250V) .....	1			SK1
	32331-ZC3-R40	RECEPTACLE(10A/250V) .....	1			W
13	32335-875-610	PACKING, RECEPTACLE .....	1			B,CL,F,G,GW1,RG,SK1,W
14	32336-ZC3-661	SEAL, CONSENT .....	1			RG,SK1
15	32345-ZT3-E61	PANEL COMP., CONTROL .....	1			B,CL,F,G,GW1,W
	32345-ZT3-A61	.....	1			RG
16	32346-ZT3-C61	PANEL, CONTROL .....	1			SK1
17	32351-ZT3-000	COVER, CONTROL PANEL .....	1			B,CL,F,G,GW1,RG,SK1,W

3

F-3-1

CONTROL PANEL(2)

E 4



Z403F0301

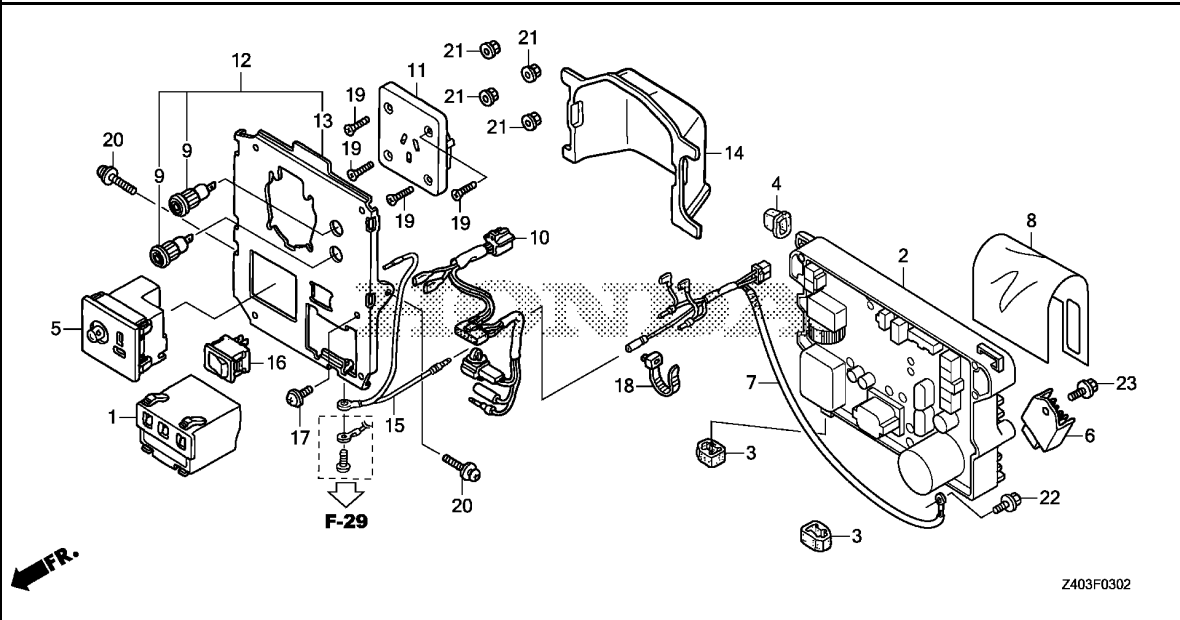
Ref. No.	Part No.	Description	Reqd. QTY		Serial No.	Parts catalogue code
			EU	10i		
18	32601-ZT3-S21	CABLE, EARTH .....	1	-----	-----	B,CL,F,G,GW1,RG,SK1,W
19	36214-ZS9-A01	SWITCH COMP., AUTO-THROTTLE ..	1	-----	-----	B,CL,F,G,GW1,RG,SK1,W
20	90102-899-003	SCREW, PAN, 5X12 .....	1	-----	-----	SK1
21	93500-05016-3J	SCREW, PAN, 5X16 .....	1	-----	-----	B,CL,F,G,GW1,RG,W
22	93600-04012-0G	SCREW, FLAT, 4X12 .....	4	-----	-----	B,CL,F,G,GW1,RG,SK1,W
23	93891-05020-07	SCREW-WASHER, 5X20 .....	2	-----	-----	B,CL,F,G,GW1,RG,SK1,W
24	94050-04000	NUT, FLANGE, 4MM .....	4	-----	-----	B,CL,F,G,GW1,RG,SK1,W
25	94101-05000	WASHER, PLAIN, 5MM .....	1	-----	-----	B,CL,F,G,GW1,RG,W
26	94111-05000	WASHER, SPRING, 5MM .....	1	-----	-----	B,CL,F,G,GW1,RG,W
27	95701-06010-08	BOLT, FLANGE, 6X10 .....	1	-----	-----	B,CL,F,G,GW1,RG,SK1,W
28	95701-06012-08	BOLT, FLANGE, 6X12 .....	1	-----	-----	B,CL,F,G,GW1,RG,SK1,W
29	91560-SE0-003	BAND A, HARNESS(NATURAL) .....	1	-----	-----	B,CL,F,G,GW1,RG,SK1,W
30	91560-SE0-003	BAND A, HARNESS(NATURAL) .....	1	-----	-----	SK1

3

# F-3-2

# CONTROL PANEL(3)

**E 5**



Ref. No.	L.O.N.	(Relative ref. Number) Description	F.R.T.
1	6201D0	SPARK UNIT, GENERATOR .....	0.4
2	6221F7	INVERTER UNIT, GENERATOR .....	0.8
3	6221J7	RUBBER A, INVERTER .....	0.5
		.NOTE: Same time for two units	
4	6221J8	RUBBER B, INVERTER .....	0.5
5	6221A9	CONSENT, DIRECT CURRENT .....	0.4
6	6201A8	RECTIFIER, GENERATOR (CONTROL PANEL) .....	0.3
7	6111D3	HARNESS, SUB WIRE .....	0.6
9	6221P3	SOCKET, COMPOSITE .....	0.3
		.NOTE: Same time for two units	
10	6111B9	HARNESS, CONTROL WIRE .....	0.5
11	6221J4	SOCKET, CONTROL PANEL .....	0.4
12	6221N9	PANEL, GENERATOR CONTROL .....	0.6
14	4131N7	COVER, CONTROL PANEL .....	0.2
16	6151E5	SWITCH, AUTO THROTTLE .....	0.3

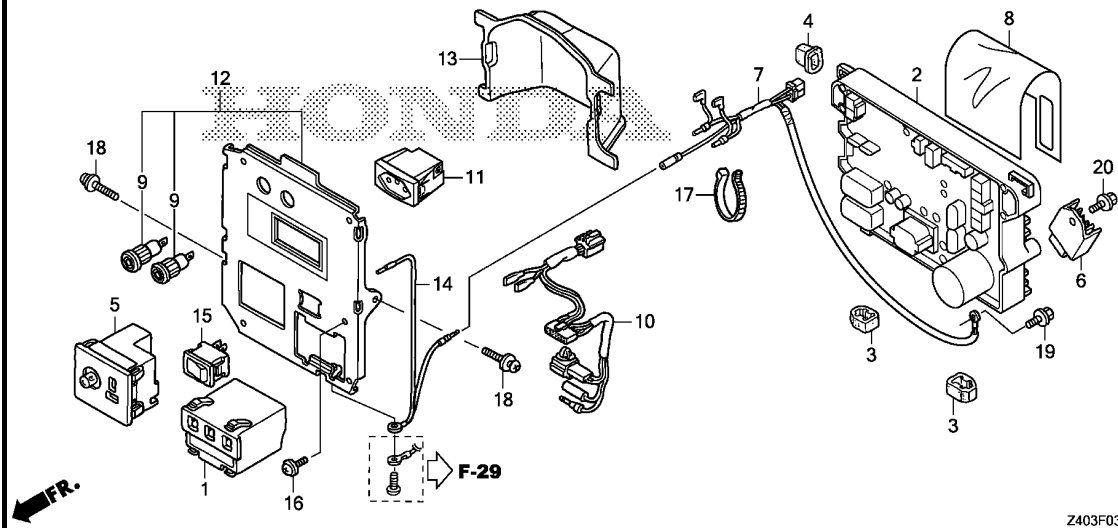
Ref. No.	Part No.	Description	Reqd. QTY		Serial No.	Parts catalogue code
			EU	T1		
1	30400-ZT3-C02	SPARK UNIT .....	1	-----	-----	U
2	31310-ZT3-E82	INVERTER UNIT .....	1	-----	-----	U
3	31319-ZT3-000	RUBBER A, INVERTER .....	2	-----	-----	U
4	31324-ZT3-000	RUBBER B, INVERTER .....	1	-----	-----	U
5	31460-ZT3-C01	CONSENT COMP., D.C. ....	1	-----	-----	U
6	31710-ZS9-A02	RECTIFIER ASSY. ....	1	-----	-----	U
7	32105-ZT3-E80	HARNESS ASSY., SUB WIRE .....	1	-----	-----	U
8	32118-ZT3-P10	SHEET, WATER PROOF .....	1	-----	-----	U
9	32139-ZC3-G01	SOCKET, COMPOSITE .....	2	-----	-----	U
10	32150-ZT3-E81	HARNESS ASSY., CONTROL WIRE .....	1	-----	-----	U
11	32332-Z07-C81	SOCKET(15A/250V) .....	1	-----	-----	U
12	32345-ZT3-C61	PANEL COMP., CONTROL .....	1	-----	-----	U
13	32346-ZT3-C61	PANEL, CONTROL .....	1	-----	-----	U
14	32351-ZT3-000	COVER, CONTROL PANEL .....	1	-----	-----	U
15	32601-ZT3-S21	CABLE, EARTH .....	1	-----	-----	U
16	36214-ZS9-A01	SWITCH COMP., AUTO-THROTTLE .....	1	-----	-----	U
17	90102-899-003	SCREW, PAN, 5X12 .....	1	-----	-----	U
18	91560-SE0-003	BAND A, HARNESS(NATURAL) .....	1	-----	-----	U
19	93600-04020-1G	SCREW, FLAT, 4X20 .....	4	-----	-----	U
20	93891-05020-07	SCREW-WASHER, 5X20 .....	2	-----	-----	U
21	94050-04000	NUT, FLANGE, 4MM .....	4	-----	-----	U
22	95701-06010-08	BOLT, FLANGE, 6X10 .....	1	-----	-----	U
23	95701-06012-08	BOLT, FLANGE, 6X12 .....	1	-----	-----	U

**3**

# F-3-3

# CONTROL PANEL(4)

E 6



Ref. No.	L.O.N.	(Relative ref. Number) Description	F.R.T.
1	6201D0	SPARK UNIT, GENERATOR .....	0.4
2	6221F7	INVERTER UNIT, GENERATOR .....	0.8
3	6221J7	RUBBER A, INVERTER .....	0.5
		.NOTE: Same time for two units	
4	6221J8	RUBBER B, INVERTER .....	0.5
5	6221A9	CONSENT, DIRECT CURRENT .....	0.4
6	6201A8	RECTIFIER, GENERATOR (CONTROL PANEL) .....	0.3
7	6111D3	HARNESS, SUB WIRE .....	0.6
9	6221P3	SOCKET, COMPOSITE .....	0.3
		.NOTE: Same time for two units	
10	6111B9	HARNESS, CONTROL WIRE .....	0.5
11	6221D5	RECEPTACLE/CONSENT, CONTROL PANEL .....	0.4
12	6221N9	PANEL, GENERATOR CONTROL .....	0.6
13	4131N7	COVER, CONTROL PANEL .....	0.2
15	6151E5	SWITCH, AUTO THROTTLE .....	0.3

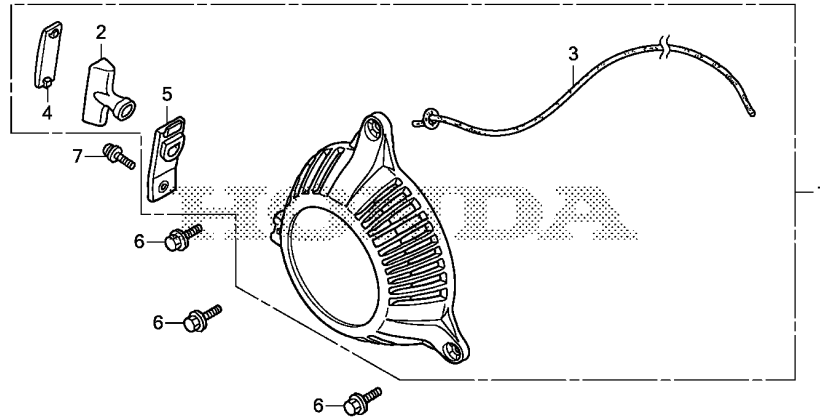
Ref. No.	Part No.	Description	Reqd. QTY		Serial No.	Parts catalogue code
			EU	10i		
1	30400-ZT3-C02	SPARK UNIT .....	1	-----	-----	LB,SB
2	31310-ZT3-P12	INVERTER UNIT .....	1	-----	-----	LB
	31310-ZT3-F62	.....	1	-----	-----	SB
3	31319-ZT3-000	RUBBER A, INVERTER .....	2	-----	-----	LB,SB
4	31324-ZT3-000	RUBBER B, INVERTER .....	1	-----	-----	LB,SB
5	31460-ZT3-C01	CONSENT COMP., D.C. ....	1	-----	-----	LB,SB
6	31710-ZS9-A02	RECTIFIER ASSY. ....	1	-----	-----	LB,SB
7	32105-ZT3-W10	HARNESS ASSY., SUB WIRE .....	1	-----	-----	LB
	32105-ZT3-U10	.....	1	-----	-----	SB
8	32118-ZT3-P10	SHEET, WATER PROOF .....	1	-----	-----	LB,SB
9	32139-ZC3-G01	SOCKET, COMPOSITE .....	2	-----	-----	LB,SB
10	32150-ZT3-P11	HARNESS ASSY., CONTROL WIRE .....	1	-----	-----	LB
	32150-ZT3-E71	.....	1	-----	-----	SB
11	32330-Z07-W10	RECEPTACLE(20A/250V) .....	1	-----	-----	LB
	32330-ZT3-W10	RECEPTACLE(10A/250V) .....	1	-----	-----	SB
12	32345-ZT3-W11	PANEL COMP., CONTROL .....	1	-----	-----	LB,SB
13	32351-ZT3-000	COVER, CONTROL PANEL .....	1	-----	-----	LB,SB
14	32601-ZT3-W10	CABLE, EARTH .....	1	-----	-----	LB,SB
15	36214-ZS9-A01	SWITCH COMP., AUTO-THROTTLE .....	1	-----	-----	LB,SB
16	90102-899-003	SCREW, PAN, 5X12 .....	1	-----	-----	LB,SB
17	91560-SE0-003	BAND A, HARNESS(NATURAL) .....	1	-----	-----	LB,SB
18	93891-05020-07	SCREW-WASHER, 5X20 .....	2	-----	-----	LB,SB
19	95701-06010-08	BOLT, FLANGE, 6X10 .....	1	-----	-----	LB,SB
20	95701-06012-08	BOLT, FLANGE, 6X12 .....	1	-----	-----	LB,SB

3

F-9

RECOIL STARTER

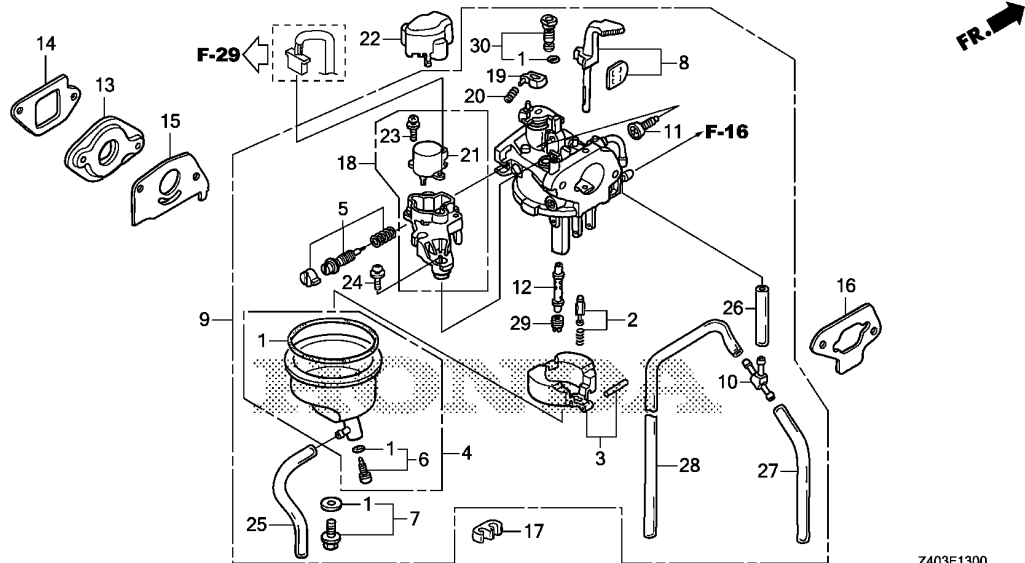
E 7



Ref. No.	L.O.N.	(Relative ref. Number) Description	F.R.T.
1	1121B9	STARTER, RECOIL .....	0.4
2	1121A3	GRIP, RECOIL STARTER .....	0.1
3	1121B3	ROPE, RECOIL STARTER .....	0.6
5	1121D4	GUIDE, RECOIL STARTER ROPE ...	0.1

Ref. No.	Part No.	Description	Reqd. QTY		Serial No.	Parts catalogue code
			EU	T1		
1	28400-ZT3-P11	STARTER ASSY., RECOIL .....	1			
2	28461-Z32-003	GRIP, STARTER .....	1			
3	28462-ZT3-P11	ROPE, RECOIL STARTER .....	1			
4	28464-Z32-003	COVER, GRIP .....	1			
5	28475-ZT3-000	GUIDE, STARTER ROPE .....	1			
6	90196-MN5-000	BOLT, FLANGE, 5X10 .....	3		-----	B,CL,F,G,GW1,LB,LL0,LL1,LT,RG,RH,RR0,RR1,SB,SK1,SS0,SS1,U,W
7	93891-05010-07	SCREW-WASHER, 5X10 .....	1			

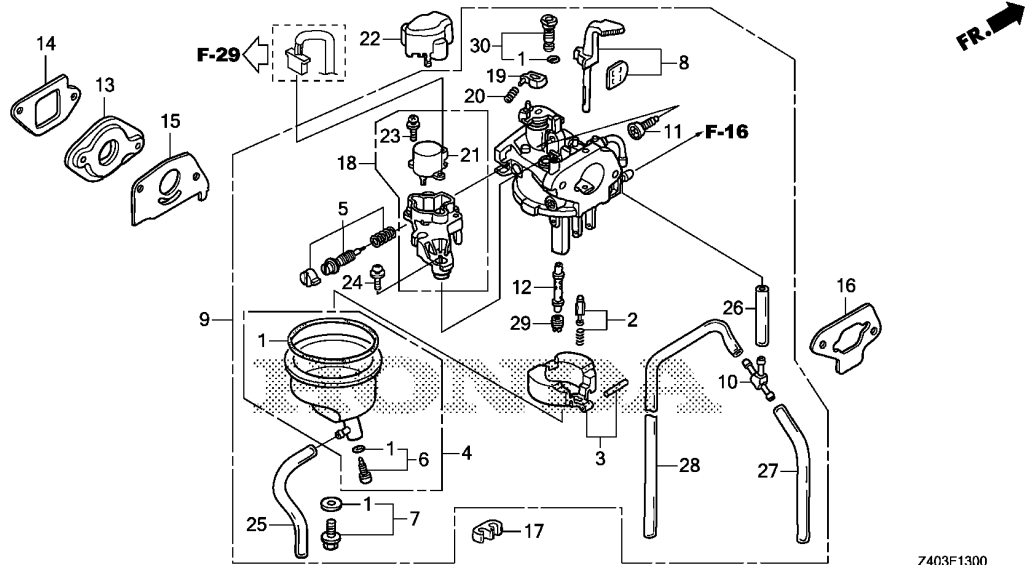
3



Z403F1300

Ref. No.	L.O.N.	(Relative ref. Number) Description	F.R.T.
1	3111B1	GASKET SET, CARBURETOR	0.4
2	3111E1	FLOAT VALVE SET AND/OR FLOAT SET	0.4
4	3111A3	FLOAT CHAMBER SET AND/OR GASKET	0.3
5	3111D7	SCREW SET, PILOT	0.2
8	8101C5	CHOKE SET, CARBURETOR	0.3
9	3111F3	CARBURETOR	0.3
13	3111C0	CARBURETOR INSULATOR AND/OR PACKING	0.3
15	3111C8	PACKING, CARBURETOR	0.3
16	3121K0	PACKING, AIR INTAKE JOINT	0.2
18	6151F0	MOTOR, THROTTLE CONTROL	0.3
19	3111H0	LEVER, CARBURETOR LINK	0.3
21	6151F0	MOTOR, THROTTLE CONTROL	0.3
29	3111C3	JET, MAIN	0.4

Ref. No.	Part No.	Description	Reqd. QTY	Serial No.	Parts catalogue code
			EU 10i T1		
1	16010-ZM7-D01	GASKET SET	1		
2	16011-ZE0-005	VALVE SET, FLOAT	1		
3	16013-ZG0-811	FLOAT SET	1		
4	16015-ZM7-003	CHAMBER SET, FLOAT	1		
5	16016-ZH7-W01	SCREW SET, PILOT	1		
6	16024-ZB9-005	SCREW SET, DRAIN	1		
7	16028-ZG0-811	SCREW SET	1		
8	16044-ZM7-D01	CHOKE SET	1		
9	16100-ZM7-D28	CARBURETOR ASSY.(BF30C G)	1		
10	16112-ZM7-D01	JOINT, AIR VENT TUBE	1		
11	16124-ZE0-005	SCREW, THROTTLE STOP	1		
12	16166-ZM7-D02	NOZZLE, MAIN	1		
13	16211-ZM7-D10	INSULATOR, CARBURETOR	1		
14	16212-ZM7-D00	PACKING, INSULATOR	1		
15	16221-ZG0-801	PACKING, CARBURETOR	1		
16	17274-ZT3-000	PACKING, AIR INTAKE JOINT	1		
17	32765-PE0-000	CLAMP D, HIGH TENSION CORD	1		
18	36160-ZM7-D01	MOTOR ASSY., THROTTLE CONTROL	1		
19	36161-ZM7-D21	LEVER, LINK	1		
20	36162-ZM7-D21	SPRING, COMPRESSION COIL	1		
21	36165-ZL0-D31	MOTOR COMP., THROTTLE CONTROL	1		
22	36168-ZT3-C01	COVER, THROTTLE MOTOR	1		
23	90003-ZL0-D30	SCREW-WASHER, 3X8	2		
24	93893-04010-18	SCREW-WASHER, 4X10	2		



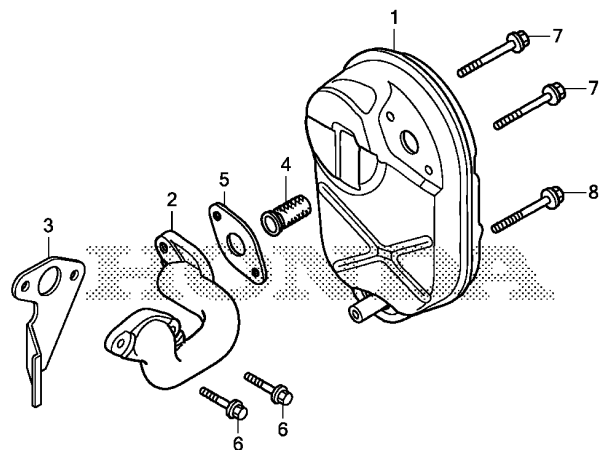
Z403F1300

Ref. No.	Part No.	Description	Reqd. QTY		Serial No.	Parts catalogue code
			EU	T1		
25	95003-05019-31	TUBE, VINYL, 3.5X6.5X190 (95003-05001-60M)	1			
26	95003-07005-31	TUBE, VINYL, 4X7X50 (95003-07001-60M)	1			
27	95003-07016-31	TUBE, VINYL, 4X7X160 (95003-07001-60M)	1			
28	95003-07035-31	TUBE, VINYL, 4X7X350 (95003-07001-60M)	1			
29	99101-ZG0-0520	JET, MAIN, #52	(1)			
	99101-ZG0-0550	JET, MAIN, #55	(1)			
	99101-ZG0-0580	JET, MAIN, #58	1			
30	99204-ZE0-0350	JET SET, PILOT, #35	1			

F-15

MUFFLER

E10

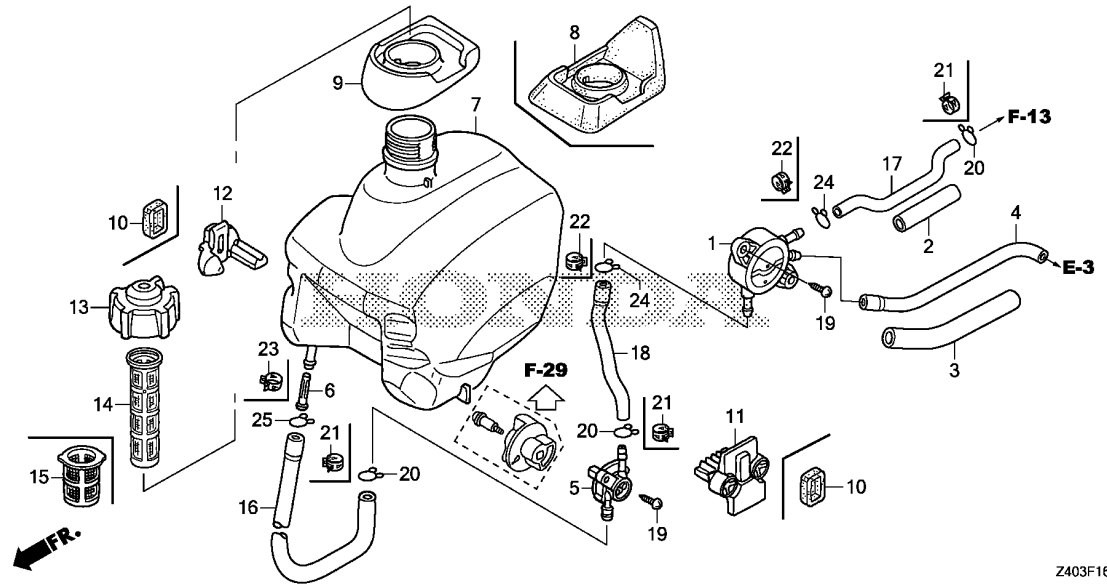


Z403F1500

Ref. No.	L.O.N.	(Relative ref. Number) Description	F.R.T.
1	3131C5	MUFFLER, EXHAUST .....	0.2
2	3131C9	PIPE, EXHAUST .....	0.8
		.INCLUDES: Engine removal and installation	
3	3131B5	GASKET, EXHAUST PIPE .....	0.8
		.INCLUDES: Engine removal and installation	
4	3131A1	ARRESTER, SPARK .....	0.2
		.INCLUDES: Spark arrester check	
5	3131B4	GASKET, EXHAUST MUFFLER .....	0.2

Ref. No.	Part No.	Description	Reqd. QTY		Serial No.	Parts catalogue code
			EU	10i		
			T1			
1	18310-ZT3-S11	MUFFLER COMP. ....	1			
2	18331-ZT3-000	PIPE, EX. ....	1			
3	18333-ZT3-010	GASKET, EX. PIPE .....	1			
4	18355-888-810	ARRESTER, SPARK .....	1		----- HP1	
5	18382-ZC0-000	GASKET, MUFFLER .....	1			
6	90004-ZC3-000	BOLT, FLANGE, 5X20 .....	2			
7	95701-06040-00	BOLT, FLANGE, 6X40 .....	2			
8	95701-06045-08	BOLT, FLANGE, 6X45 .....	1			

3

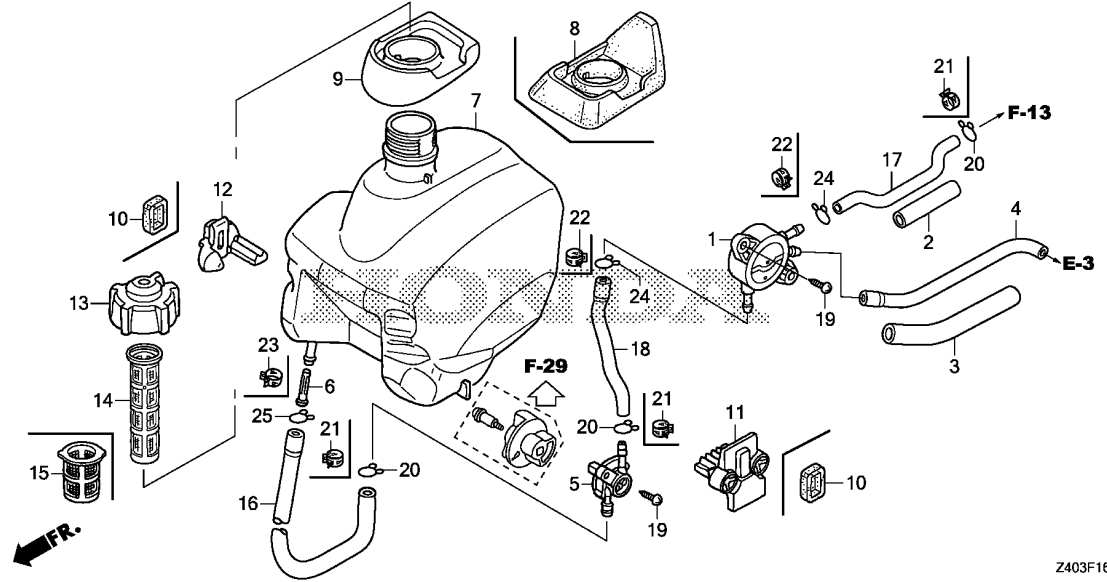


Z403F1600

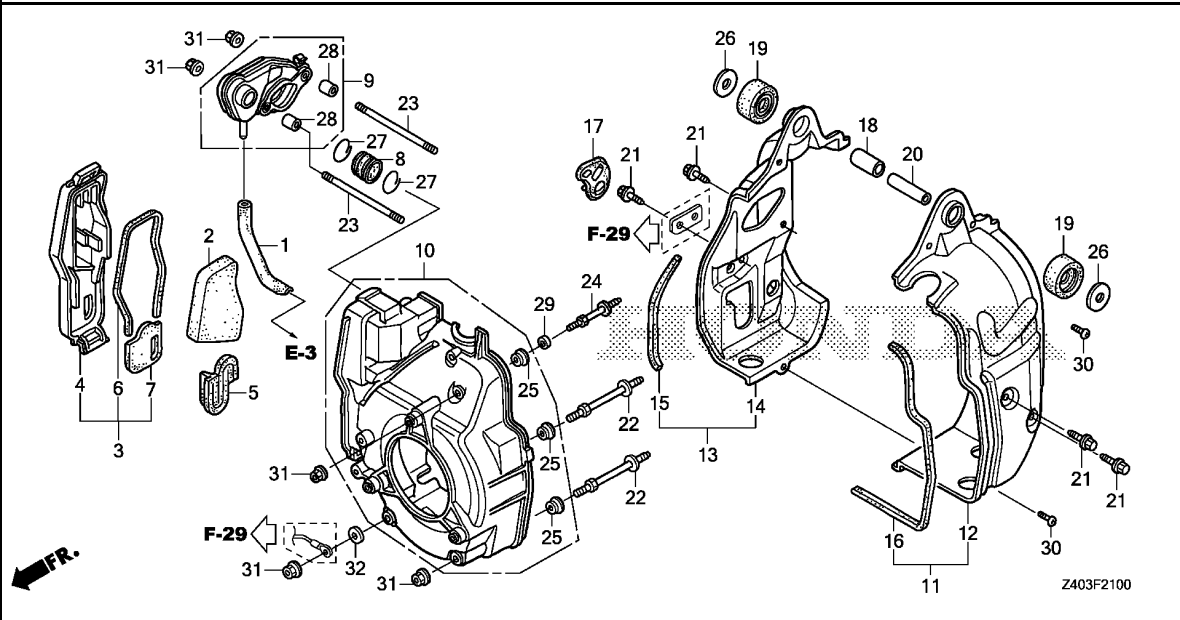
Ref. No.	L.O.N.	(Relative ref. Number) Description	F.R.T.
1	3101H9	PUMP, FUEL .....	0.5
4	3101E5	TUBE, DIAPHRAGM .....	0.5
5	3101A3	COCK, FUEL .....	0.5
6	3101H8	STRAINER, FUEL .....	0.5
7	3101H7	TANK, FUEL .....	0.5
9		(8)	
	4141F1	SEAL, FUEL FILLER NECK .....	0.3
11		(10)	
	3101M5	RUBBER, TANK MOUNTING :LEFT ..	0.4
12		(10)	
	3101M6	RUBBER, TANK MOUNTING :RIGHT ..	0.3
13	3101V2	CAP, FUEL TANK .....	0.1
14		(15)	
	3101A6	FILTER, FUEL .....	0.1
16	3101F1	TUBE, FUEL TANK .....	0.5
17	3101K7	TUBE, FUEL PUMP .....	0.4
18	3101F2	TUBE, FUEL COCK .....	0.5

3

Ref. No.	Part No.	Description	Reqd. QTY	Serial No.	Parts catalogue code
			EU 10i T1		
1	16700-ZT3-013	PUMP ASSY., FUEL .....	1		
2	16854-ZT3-000	RUBBER A, SUPPORTER .....	1		
3	16857-ZT3-000	RUBBER B, SUPPORTER .....	1		
4	16882-ZT3-000	TUBE, DIAPHRAGM .....	1		
5	16950-ZT3-003	COCK ASSY., FUEL .....	1		
6	16952-ZA8-800	STRAINER, FUEL .....	1		
7	17511-ZT3-C00	TANK, FUEL .....	1	-----	B,CL,F,G,GW1,LB,LL0,LL1,LT,RG,RH,RR0,RR1,SB,SK1,SS0,SS1,U,W
8	17514-Z07-000	SEAL, FUEL FILLER NECK .....	1	-----	HP1
9	17514-ZT3-000	SEAL, FUEL FILLER NECK .....	1	-----	B,CL,F,G,GW1,LB,LL0,LL1,LT,RG,RH,RR0,RR1,SB,SK1,SS0,SS1,U,W
10	17532-Z07-000	RUBBER A, TANK MOUNTING .....	2	-----	HP1
11	17532-ZT3-000	RUBBER R, TANK MOUNTING .....	1	-----	B,CL,F,G,GW1,LB,LL0,LL1,LT,RG,RH,RR0,RR1,SB,SK1,SS0,SS1,U,W
12	17533-ZT3-000	RUBBER L, TANK MOUNTING .....	1	-----	B,CL,F,G,GW1,LB,LL0,LL1,LT,RG,RH,RR0,RR1,SB,SK1,SS0,SS1,U,W
13	17620-ZT3-030	CAP ASSY., FUEL TANK .....	1	-----	B,CL,F,G,GW1,LB,LL0,LL1,LT,RG,RH,RR0,RR1,SB,SK1,SS0,SS1,U,W
14	17670-Z07-000	FILTER COMP., FUEL .....	1	-----	B,CL,F,G,GW1,LB,LL0,LL1,LT,RG,RH,RR0,RR1,SB,SK1,SS0,SS1,U,W
15	17670-ZC3-700	FILTER COMP., FUEL .....	1	-----	HP1
16	17701-ZT3-000	TUBE, FUEL TANK .....	1	-----	B,CL,F,G,GW1,LB,LL0,LL1,LT,RG,RH,RR0,RR1,SB,SK1,SS0,SS1,U,W
	17701-ZT3-S11	TUBE, FUEL TANK(FKM) .....	1	-----	HP1
17	17702-ZT3-000	TUBE A, FUEL .....	1	-----	B,CL,F,G,GW1,LB,LL0,LL1,LT,RG,RH,RR0,RR1,SB,SK1,SS0,SS1,U,W
	17702-ZT3-S11	TUBE A, FUEL(FKM) .....	1	-----	HP1
18	17703-ZT3-000	TUBE B, FUEL .....	1	-----	B,CL,F,G,GW1,LB,LL0,LL1,LT,RG,RH,RR0,RR1,SB,SK1,SS0,SS1,U,W
	17703-ZT3-S11	TUBE B, FUEL(FKM) .....	1	-----	HP1
19	93913-25520	SCREW, TAPPING, 5X20(P0) .....	3		
20	95002-02080	CLIP, TUBE(B8) .....	3	-----	B,CL,F,G,GW1,LB,LL0,LL1,LT,RG,RH,RR0,RR1,SB,SK1,SS0,SS1,U,W
21	95002-40800-08	CLAMP, TUBE(D8) .....	3	-----	HP1
22	95002-40850-08	CLAMP, TUBE(D8.5) .....	2	-----	HP1



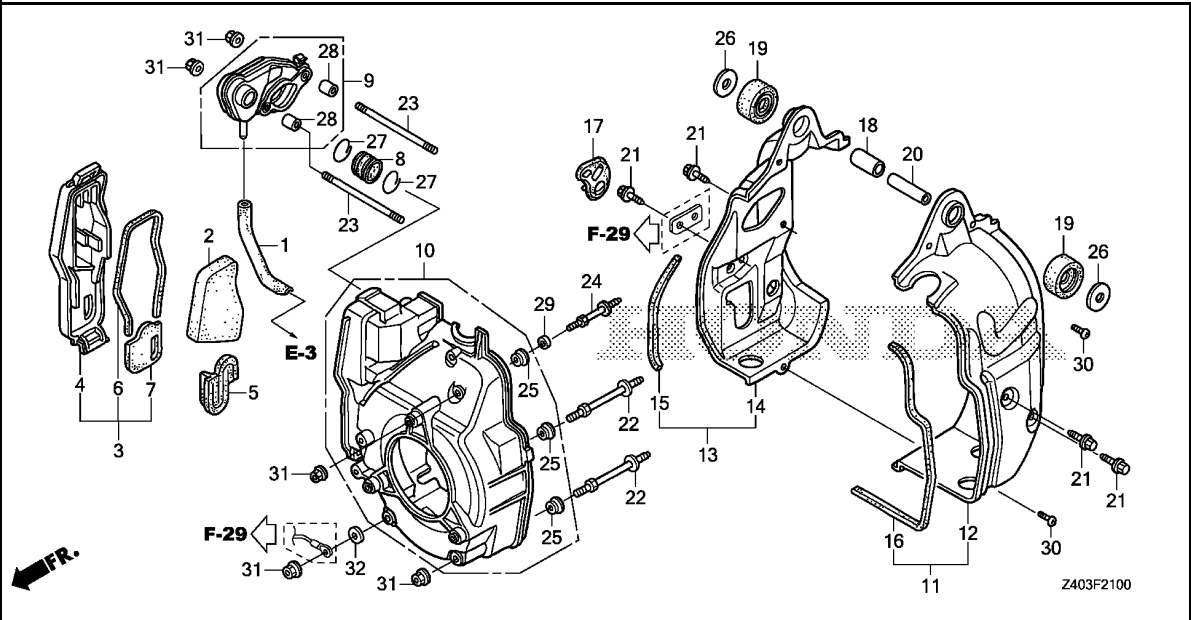
Ref. No.	Part No.	Description	Reqd. QTY		Serial No.	Parts catalogue code
			EU	10i		
23	95002-41050-08	CLAMP, TUBE(D10.5)	1		----- HP1	
24	95002-50000	CLIP, TUBE(C9)	2		----- B,CL,F,G,GW1,LB,LL0,LL1,LT,RG,RH,RR0,RR1,SB,SK1,SS0,SS1,U,W	
25	95002-70000	CLIP, TUBE(C11)	1		----- B,CL,F,G,GW1,LB,LL0,LL1,LT,RG,RH,RR0,RR1,SB,SK1,SS0,SS1,U,W	



Ref. No.	L.O.N.	(Relative ref. Number) Description	F.R.T.
1	1111K5	TUBE, BREATHER .....	0.1
2	3121B8	ELEMENT, AIR CLEANER .....	0.1
		.INCLUDES: Air cleaner element -inspection (7)	
3	3121B1	COVER, AIR CLEANER .....	0.1
6	3121E9	SEAL, AIR CLEANER COVER .....	0.1
8	3121K5	TUBE, AIR CLEANER CONNECTING .....	0.1
9	3121K4	JOINT, AIR INTAKE .....	0.1
10	1141G8	COVER, ENGINE COOLING FAN .....	0.7
11	4141D9	SHROUD, ENGINE :LEFT .....	0.8
		(12,16)	
13	4141E1	SHROUD, ENGINE :RIGHT .....	0.8
		(14,15)	
19	4141K9	INSULATOR, SHROUD .....	0.3
		.Replace one shroud insulator add .....	0.1

3

Ref. No.	Part No.	Description	Reqd. QTY	Serial No.	Parts catalogue code
			EU 10i T1		
1	15721-ZT3-000	TUBE, BREATHER .....	1		
2	17211-ZT3-000	ELEMENT, AIR CLEANER .....	1		
3	17230-ZT3-000	COVER COMP., AIR CLEANER .....	1		
4	17231-ZT3-000	COVER, AIR CLEANER .....	1		
5	17232-ZT3-000	RUBBER, AIR CLEANER .....	1		
6	17233-ZT3-000	SEAL A, AIR CLEANER COVER ...	1		
7	17234-ZT3-000	SEAL B, AIR CLEANER COVER ...	1		
8	17251-ZT3-000	TUBE, AIR CLEANER CONNECTING	1		
9	17270-ZT3-030	JOINT COMP., AIR INTAKE .....	1		
10	19610-ZT3-000	COVER COMP., FAN .....	1		
11	19630-ZT3-010	SHROUD ASSY., R. .....	1		
12	19632-ZT3-010	SHROUD, R. .....	1		
13	19640-ZT3-010	SHROUD ASSY., L. .....	1		
14	19641-ZT3-010	SHROUD, L. .....	1		
15	19643-ZT3-000	SEAL A, SHROUD .....	1		
16	19644-ZT3-000	SEAL B, SHROUD .....	1		
17	63713-ZT3-000	RUBBER, OIL CHECK .....	1		
18	68337-ZT3-000	COLLAR D, INSULATOR .....	1		
19	68338-ZT3-000	INSULATOR, SHROUD .....	2		
20	68339-ZT3-000	COLLAR B, INSULATOR .....	1		
21	90019-883-000	BOLT, FLANGE, 5X10 .....	4		
22	90101-ZT3-000	BOLT, STUD(A) .....	2		
23	90102-ZT3-010	BOLT, STUD, 5X91 .....	2		
24	90103-ZT3-000	BOLT, STUD(B) .....	1		
25	90129-463-770	COLLAR, REFLECTOR SETTING ...	3		

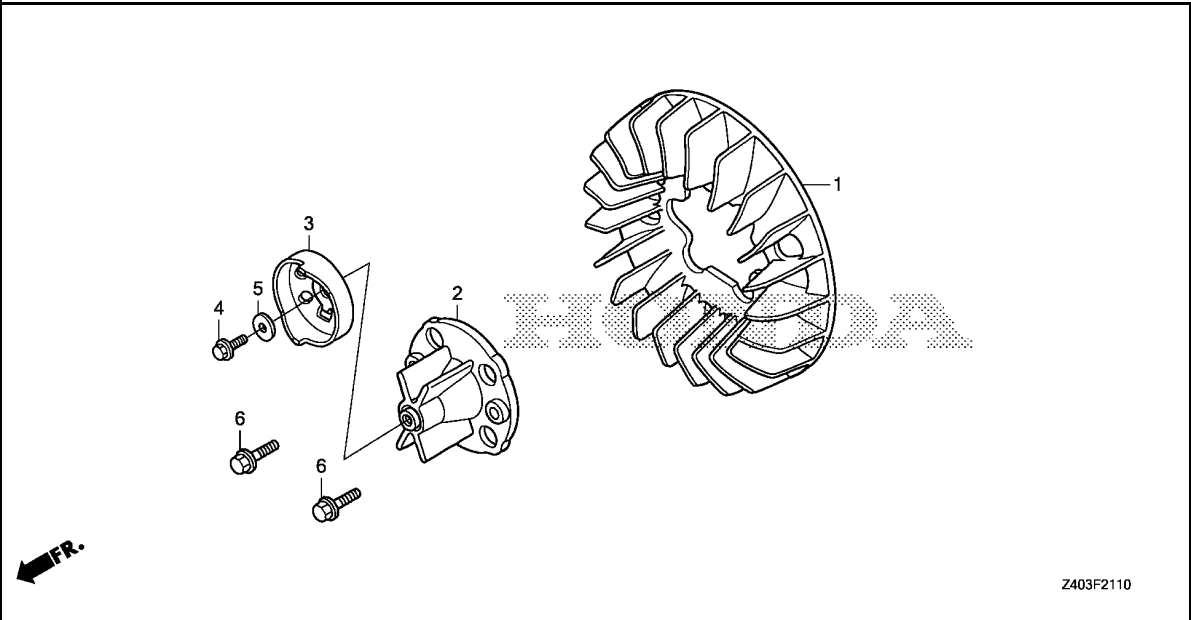


Ref. No.	Part No.	Description	Reqd. QTY		Serial No.	Parts catalogue code
			EU	T1		
26	90551-033-000	WASHER, SPROCKET SETTING	2			
27	90851-ZC3-000	CLIP(28MM)	2			
28	91551-ZT3-000	COLLAR, AIR CLEANER CASE	2			
29	91554-ZT3-000	COLLAR, DISTANCE	1			
30	93500-04006-OH	SCREW, PAN, 4X6	2			
31	94050-05080	NUT, FLANGE, 5MM	5			
32	94101-05000	WASHER, PLAIN, 5MM	1		----- B,CL,F,G,GW1,LB,LL0,LL1,LT,RG,RH,RR0,RR1,SB,SK1,SS0,SS1,U,W	

# F-21-10

# COOLING FAN

**E15**



Ref. No.	L.O.N.	(Relative ref. Number) Description	F.R.T.
1	6201B7	FAN, GENERATOR COOLING .....	0.7
2	6201C8	BOSS, COOLING FAN .....	0.7
3	1121A9	PULLEY, RECOIL STARTER .....	0.5

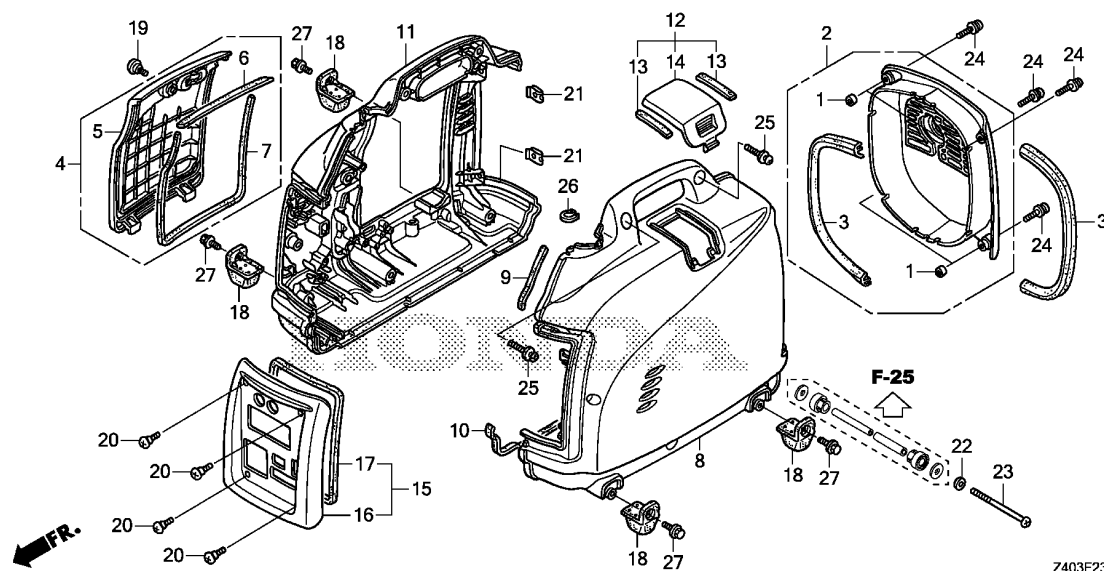
**3**

Ref. No.	Part No.	Description	Reqd. QTY	Serial No.	Parts catalogue code
			EU 10i T1		
1	19511-ZT3-000	FAN, COOLING .....	1		
2	19514-ZT3-000	BOSS, COOLING FAN .....	1	-----	B,CL,F,G,GW1,LB,LL0,LL1,LT,RG,RH,RR0,RR1,SB,SK1,SS0,SS1,U,W
3	28451-ZM7-003	PULLEY, RECOIL STARTER .....	1		
4	90029-888-000	BOLT, FLANGE, 6X16(CT200) ...	1	-----	B,CL,F,G,GW1,LB,LL0,LL1,LT,RG,RH,RR0,RR1,SB,SK1,SS0,SS1,U,W
5	94103-06800	WASHER, PLAIN, 6MM .....	1	-----	B,CL,F,G,GW1,LB,LL0,LL1,LT,RG,RH,RR0,RR1,SB,SK1,SS0,SS1,U,W
6	95701-06016-08	BOLT, FLANGE, 6X16 .....	2	-----	B,CL,F,G,GW1,LB,LL0,LL1,LT,RG,RH,RR0,RR1,SB,SK1,SS0,SS1,U,W

F-23

FRONT COVER/SIDE COVER

E16



Ref. No.	L.O.N.	(Relative ref. Number) Description	F.R.T.
2		(3)	
2	3131D6	PROTECTOR, EXHAUST MUFFLER ...	0.1
4	4131K5	COVER, MAINTENANCE .....	0.1
6	4141L3	SEAL A, MAINTENANCE COVER ....	0.1
7	4141L4	SEAL B, MAINTENANCE COVER ....	0.1
8	4141L6	COVER, GENERATOR SIDE :LEFT ..	0.5
9	4141L7	SEAL A, GENERATOR SIDE COVER ..	0.5
11	4141L5	COVER, GENERATOR SIDE :RIGHT ..	0.7
12	4131L7	COVER, SPARK PLUG MAINTENANCE	0.1
13	4141F2	SEAL, MAINTENANCE COVER PLUG ..	0.1
15		(16,17)	
15	410107	COVER, GENERATOR :FRONT .....	0.2
18	4101V0	RUBBER, BOTTOM :LEFT FRONT ...	0.1
		.NOTE: Same time for two units or more	
	4101V1	RUBBER, BOTTOM :RIGHT FRONT ..	0.1
		.NOTE: Same time for two units or more	
	4101V3	RUBBER, BOTTOM :LEFT REAR ....	0.1
		.NOTE: Same time for two units or more	
	4101V4	RUBBER, BOTTOM :RIGHT REAR ...	0.1
		.NOTE: Same time for two units or more	

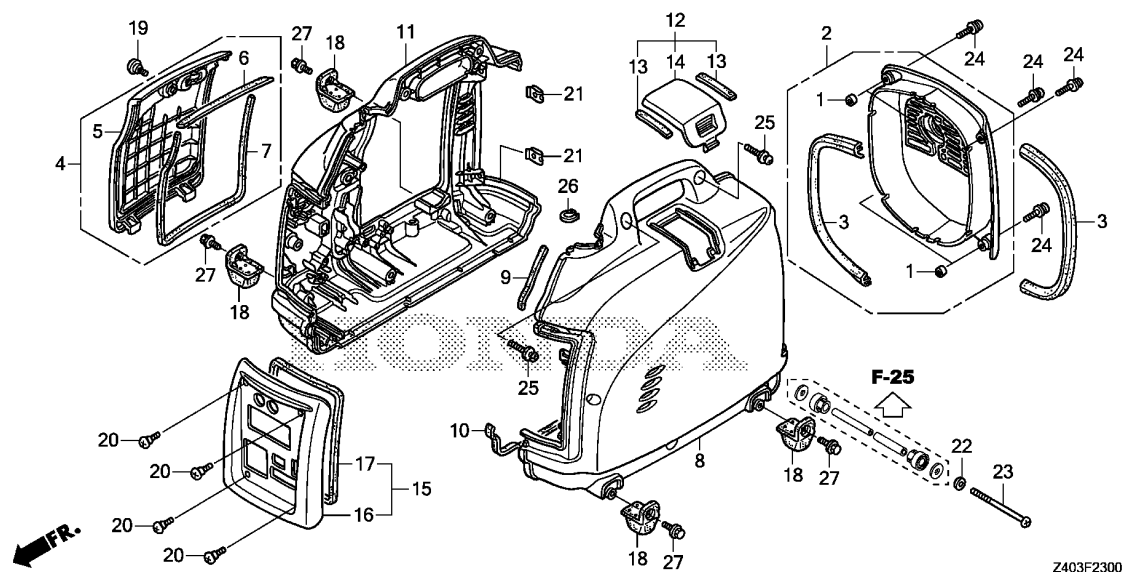
Ref. No.	Part No.	Description	Reqd. QTY		Serial No.	Parts catalogue code
			EU	T1		
1	16598-ZG1-750	COLLAR, CONTROL COVER .....	4			
2	18320-ZT3-C60	PROTECTOR COMP., MUFFLER ....	1		B,CL,F,G,GW1,RG,W	
	18320-ZT3-000	.....	1		HP1,LB,LL0,LL1,LT,RH,RR0,RR1,SB,SK1,SS0,SS1,U	
3	18327-ZT3-300	SEAL RUBBER, PROTECTOR .....	2			
4	63150-ZT3-C01	COVER ASSY., MAINTENANCE .....	1		B,CL,F,G,GW1,LB,LL0,LL1,LT,RG,RH,RR0,RR1,SB,SK1,SS0,SS1,U,W	
5	63151-ZT3-C01	COVER, MAINTENANCE .....	1		B,CL,F,G,GW1,LB,LL0,LL1,LT,RG,RH,RR0,RR1,SB,SK1,SS0,SS1,U,W	
6	63153-ZT3-000	SEAL A, MAINTENANCE COVER ...	1			
7	63154-ZT3-000	SEAL B, MAINTENANCE COVER ...	1			
8	63210-ZT3-C02	COVER COMP., R. SIDE .....	1		B,CL,F,G,GW1,LB,LL0,LL1,LT,RG,RH,RR0,RR1,SB,SK1,SS0,SS1,U,W	
9	63218-ZT3-000	SEAL A, SIDE COVER .....	1		B,CL,F,G,GW1,LB,LL0,LL1,LT,RG,RH,RR0,RR1,SB,SK1,SS0,SS1,U,W	
10	63219-ZT3-000	SEAL B, SIDE COVER .....	1			
11	63220-ZT3-C02	COVER COMP., L. SIDE .....	1		B,CL,F,G,GW1,LB,LL0,LL1,LT,RG,RH,RR0,RR1,SB,SK1,SS0,SS1,U,W	
12	63340-ZT3-C01	COVER ASSY., PLUG CHECK .....	1		B,CL,F,G,GW1,LB,LL0,LL1,LT,RG,RH,RR0,RR1,SB,SK1,SS0,SS1,U,W	
13	63344-ZT3-000	SEAL, PLUG CHECK .....	2			
14	63347-ZT3-C01	COVER, PLUG CHECK .....	1		B,CL,F,G,GW1,LB,LL0,LL1,LT,RG,RH,RR0,RR1,SB,SK1,SS0,SS1,U,W	
15	63510-ZT3-E61	COVER ASSY., FR. ....	1		B,CL,F,G,GW1,W	
	63510-ZT3-C00	.....	1		LB,LL1,LT,RH,RR1,SB,SS1	
	63510-ZT3-C70	.....	1		LL0,RR0,SS0	
	63510-ZT3-C61	.....	1		RG,U	
	63510-ZT3-S20	.....	1		SK1	
16	63511-ZT3-E61	COVER, FR. ....	1		B,CL,F,G,GW1,W	
	63511-ZT3-C00	.....	1		LB,LL1,LT,RH,RR1,SB,SS1	
	63511-ZT3-C70	.....	1		LL0,RR0,SS0	
	63511-ZT3-C61	.....	1		RG,U	
17	63512-ZT3-000	SEAL, FR. COVER .....	1		B,CL,F,G,GW1,LB,LL0,LL1,LT,RG,RH,RR0,RR1,SB,SK1,SS0,SS1,U,W	
18	68325-ZT3-000	RUBBER, BOTTOM .....	4			

3

F-23

FRONT COVER/SIDE COVER

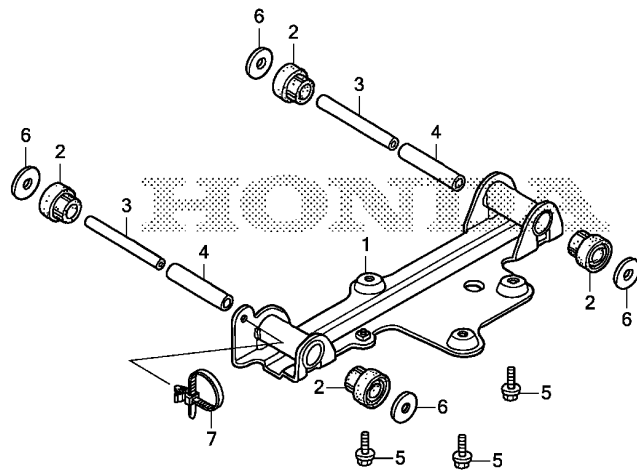
F 1



Z403F2300

Ref. No.	Part No.	Description	Reqd. QTY		Serial No.	Parts catalogue code
			EU	T1		
19	90102-Z07-003	SCREW, SPECIAL, 6X16	1			
20	90114-Z39-C30	SCREW, FR. COVER	4		B,CL,F,G,GW1,LB,LL0,LL1,LT,RG,RH,RR0,RR1,SB,SK1,SS0,SS1,U,W	
21	90320-GE2-760	NUT, SPRING, 5MM	4			
22	90485-286-000	WASHER, 6MM	2			
23	93500-06100-0A	SCREW, PAN, 6X100	2			
24	93891-05016-07	SCREW-WASHER, 5X16	4			
25	93891-06020-07	SCREW-WASHER, 6X20	2			
26	94514-10150	CIRCLIP, EXTERNAL, 10MM	1		B,CL,F,G,GW1,LB,LL0,LL1,LT,RG,RH,RR0,RR1,SB,SK1,SS0,SS1,U,W	
27	96001-06010-07	BOLT, FLANGE, 6X10	4			

3

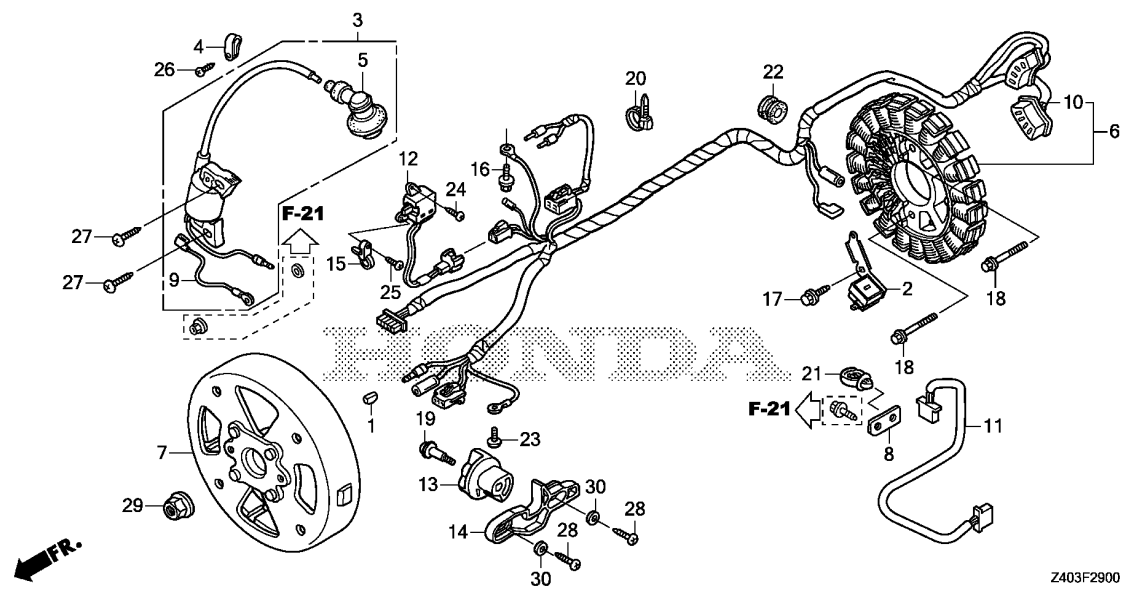


Z403F2500

Ref. No.	L.O.N.	(Relative ref. Number) Description	F.R.T.
1	4101A6	BED, ENGINE GENERATOR .....	0.7
2	4101Y7	INSULATOR, ENGINE BED .....	0.4
	4101Y8	INSULATOR, ENGINE BED :ALL ...	0.7

Ref. No.	Part No.	Description	Reqd. QTY		Serial No.	Parts catalogue code
			EU	10i		
1	51110-ZT3-010	BED COMP., ENGINE .....	1			
2	68314-ZT3-000	INSULATOR, ENGINE BED .....	4			
3	68333-ZT3-000	COLLAR A, INSULATOR .....	2			
4	68336-ZT3-000	COLLAR C, INSULATOR .....	2			
5	90029-888-000	BOLT, FLANGE, 6X16(CT200) ...	3			
6	90551-033-000	WASHER, SPROCKET SETTING ....	4			
7	90672-SAO-003	STRAP, CABLE, 118MM(BLACK) ..	1			

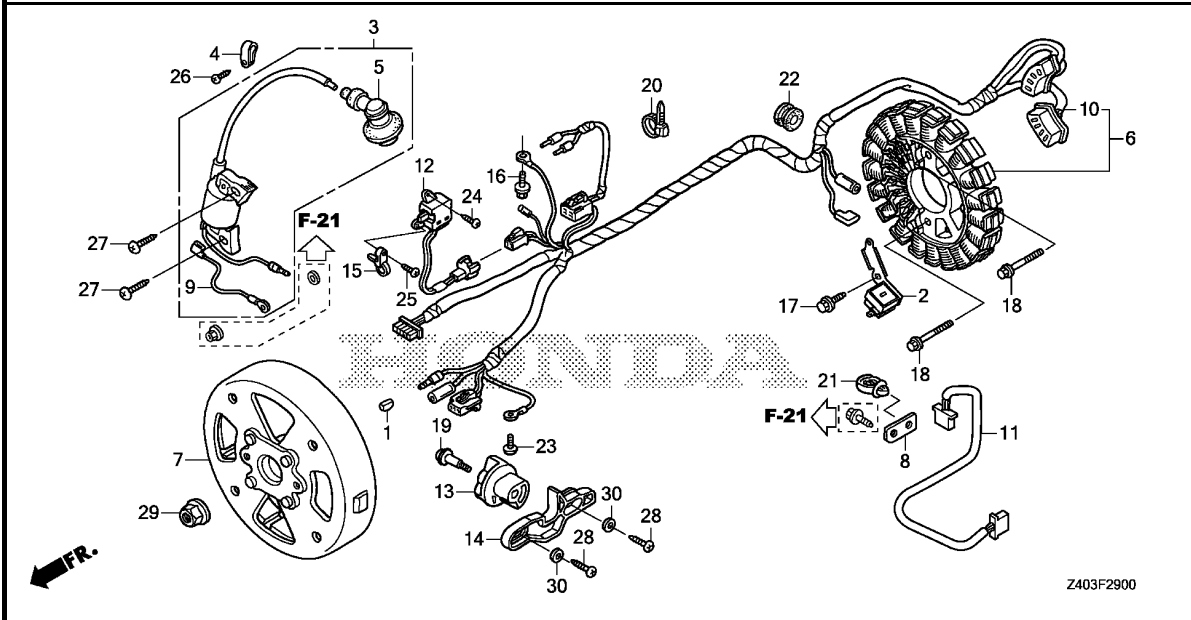




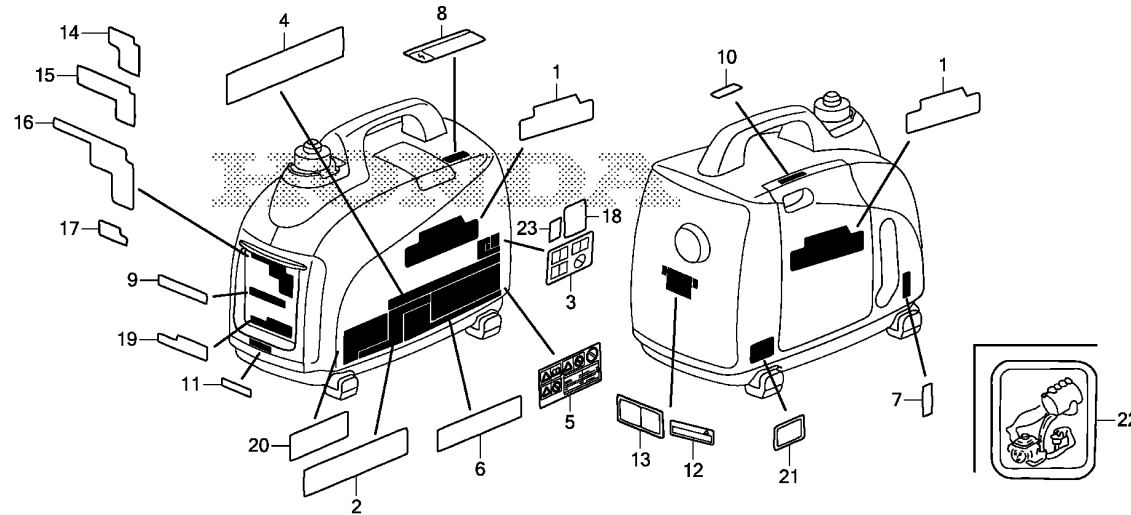
Ref. No.	L.O.N.	(Relative ref. Number) Description	F.R.T.
2	614120	COIL, PULSER .....	0.7
3	6141A5	COIL, IGNITION(ONE) .....	0.5
5	6141B8	TERMINAL, HIGH TENSION .....	0.1
6	6201B9	STATOR, GENERATOR .....	1.2
.INCLUDES: Engine removal and installation			
7	6201A9	ROTOR, GENERATOR .....	0.9
.INCLUDES: Engine removal and installation			
9	6141D4	CORD, IGNITION COIL EARTH ....	0.4
10	6201B8	HARNESS, GENERATOR WIRE .....	1.2
.INCLUDES: Engine removal and installation			
12	6151D9	SWITCH, ENGINE STOP .....	0.5
13	8101T9	KNOB, ENGINE SWITCH .....	0.1
14	4131N8	PLATE, ENGINE SWITCH .....	0.4

Z403F2900

Ref. No.	Part No.	Description	Reqd. QTY		Serial No.	Parts catalogue code
			EU	10i		
				T1		
1	13331-ZM7-000	KEY, SPECIAL .....	1			
2	30315-ZT3-003	COIL COMP., PULSER .....	1			
3	30500-ZT3-023	COIL ASSY., IGNITION .....	1			
4	30564-895-000	CLAMP A, CABLE .....	1			
5	30700-ZT3-C02	CAP ASSY., NOISE SUPPRESSOR ..	1			
6	31120-ZT3-E61	STATOR ASSY.(G) .....	1		B,CL,F,G,GW1,RG,RH,W	
	31120-ZT3-P11	STATOR ASSY. ....	1		LB,LL0,LL1,LT	
	31120-ZT3-E71	.....	1		RRO,RR1,SB,SK1,SS0,SS1,U	
7	31130-ZT3-C01	ROTOR COMP. ....	1		B,CL,F,G,GW1,LB,LL0,LL1,LT,RG,RH,RRO,RR1,SB,SK1,SS0,SS1,U,W	
	31130-ZT3-G02	.....	1		HP1	
8	32103-759-000	BRACKET, WIRE HARNESS CLIP ..	1			
9	32157-ZT3-000	CORD, IGNITION EARTH .....	1			
10	32158-ZT3-E61	HARNESS ASSY., GENERATOR WIRE	1		B,CL,F,G,GW1,RG,RH,W	
	32158-ZT3-P11	.....	1		LB,LL0,LL1,LT	
	32158-ZT3-E71	.....	1		RRO,RR1,SB,SK1,SS0,SS1,U	
11	32196-ZT3-P10	SUB CORD ASSY. ....	1		B,CL,F,G,GW1,LB,LL0,LL1,LT,RG,RH,RRO,RR1,SB,SK1,SS0,SS1,U,W	
12	35120-ZT3-023	SWITCH ASSY., ENGINE STOP ...	1			
13	35123-ZT3-000	KNOB, ENGINE SWITCH .....	1		B,CL,F,G,GW1,LB,LL0,LL1,LT,RG,RH,RRO,RR1,SB,SK1,SS0,SS1,U,W	
	35123-ZT3-900	.....	1		HP1	
14	35127-ZT3-000	PLATE, ENGINE SWITCH .....	1			
15	36135-ZA8-801	BAND, HARNESS .....	1		B,CL,F,G,GW1,LB,LL0,LL1,LT,RG,RH,RRO,RR1,SB,SK1,SS0,SS1,U,W	
16	90002-MC7-000	BOLT, FLANGE, 5X8 .....	1		B,CL,F,G,GW1,LB,LL0,LL1,LT,RG,RH,RRO,RR1,SB,SK1,SS0,SS1,U,W	
17	90003-892-000	BOLT, FLANGE, 5X12 .....	1			
18	90014-KCZ-000	BOLT, FLANGE, 5X25(CT200) ...	2		B,CL,F,G,GW1,LB,LL0,LL1,LT,RG,RH,RRO,RR1,SB,SK1,SS0,SS1,U,W	
19	90105-ZT3-000	SCREW, PAN, 4X19 .....	1			
20	90652-KT1-771	BAND, WIRE(BLACK) .....	1			



Ref. No.	Part No.	Description	Reqd. QTY		Serial No.	Parts catalogue code
			EU	T1		
21	90683-SA0-003	CLIP, WIRE HARNESS, 25MM	1			
22	91651-ZT3-C00	GROMMET, GENERATOR CORD	1			
23	93500-05008-3J	SCREW, PAN, 5X8	1		B,CL,F,G,GW1,LB,LL0,LL1,LT,RG,RH,RR0,RR1,SB,SK1,SS0,SS1,U,W	
24	93901-12220	SCREW, TAPPING, 3X10	1		B,CL,F,G,GW1,LB,LL0,LL1,LT,RG,RH,RR0,RR1,SB,SK1,SS0,SS1,U,W	
25	93901-12420	SCREW, TAPPING, 3X16	1			
26	93903-25220	SCREW, TAPPING, 5X12	1			
27	93903-26320	SCREW, TAPPING, 6X20	2			
28	93913-25520	SCREW, TAPPING, 5X20(PO)	2			
29	94050-10080	NUT, FLANGE, 10MM	1			
30	94103-05800	WASHER, PLAIN, 5MM	2			



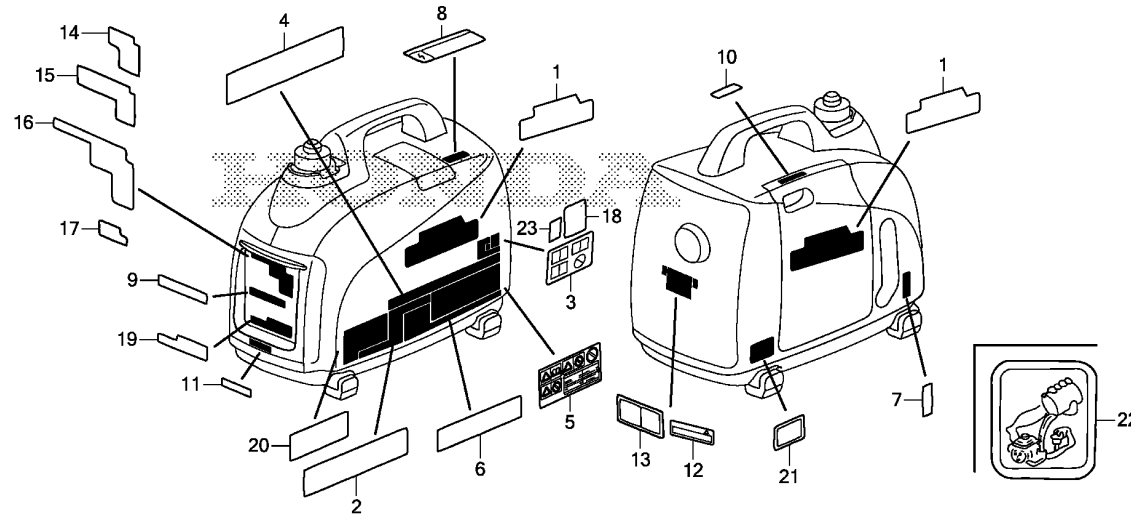
Z403F3100

Ref. L.O.N. (Relative ref. Number) F.R.T.  
No. Description

NO INFORMATION .....

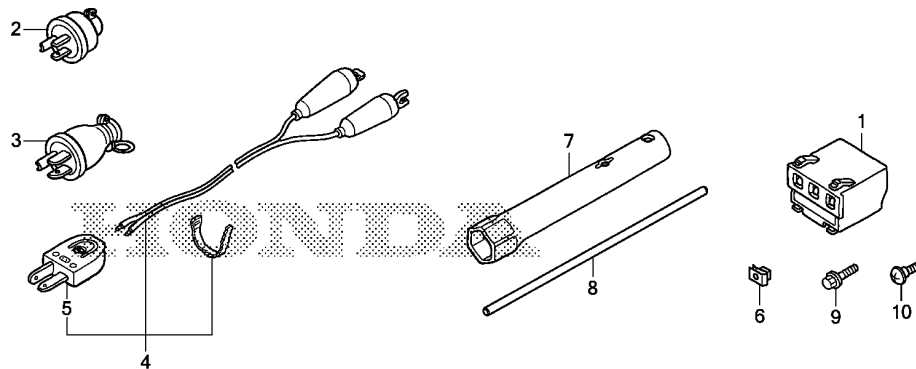
3

Ref. No.	Part No.	Description	Reqd. QTY		Serial No.	Parts catalogue code
			EU	10i		
1	87101-ZT3-C32	EMBLEM .....	2	-----	B,CL,F,G,GW1,LB,LL0,LL1,LT,RG,RH,RR0,RR1,SB,SK1,SS0,SS1,U,W	
2	87114-ZT3-P90	LABEL, WARNING .....	1	-----	CL	
3	87150-Z25-A61	MARK, CAUTION .....	1	-----	RG	
4	87150-Z40-D30	MARK, CAUTION .....	1	-----	LL0,LL1	
	87150-Z40-S80	.....	1	-----	LT	
	87150-Z40-S50	.....	1	-----	RH	
	87150-Z40-D60	.....	1	-----	RR0,RR1	
	87150-Z40-S70	.....	1	-----	SK1	
	87150-Z40-C70	.....	1	-----	SS0,SS1	
5	87150-Z40-W10	MARK, CAUTION .....	1	-----	LB	
	87150-Z40-U10	.....	1	-----	SB	
6	87152-Z40-W70	MARK, SPEC .....	1	-----	RG	
7	87501-ZT3-C61	MARK, ENGINE SWITCH .....	1	-----	B,CL,F,G,GW1,LB,RG,SB,W	
	87501-ZT3-C31	.....	1	-----	LL0,LL1,LT,RR0,RR1,SK1,SS0,SS1	
	87501-ZT3-S50	.....	1	-----	RH	
	87501-ZT3-C81	.....	1	-----	U	
8	87511-ZT3-S20	MARK, CAUTION VOLTAGE .....	1	-----	SK1	
9	87525-ZT3-C60	MARK, D.C. CAUTION .....	1	-----	B,CL,F,G,GW1,LB,RG,SB,W	
	87525-ZT3-C70	.....	1	-----	LL0,LL1,RR0,RR1,SS0,SS1	
	87525-ZT3-S80	.....	1	-----	LT	
	87525-ZT3-S50	.....	1	-----	RH	
	87525-ZT3-S70	.....	1	-----	SK1	
	87525-ZT3-C80	.....	1	-----	U	
10	87528-ZT3-C01	MARK, CHOKE .....	1	-----	B,CL,F,G,GW1,LB,LL0,LL1,LT,RG,RH,RR0,RR1,SB,SK1,SS0,SS1,U,W	
11	87531-ZT3-000	MARK, HONDA .....	1	-----	B,CL,F,G,GW1,LB,LL0,LL1,LT,RG,RH,RR0,RR1,SB,SK1,SS0,SS1,U,W	
12	87539-ZT3-C41	MARK, EX. CAUTION .....	1	-----	LL0,LL1,RR0,RR1,SS0,SS1,U	
	87539-ZT3-S80	.....	1	-----	LT	



Z403F3100

Ref. No.	Part No.	Description	Reqd. QTY		Serial No.	Parts catalogue code
			EU	10i		
12)	87539-ZT3-S50	MARK, EX. CAUTION .....	1	-----	----- RH	
	87539-ZT3-S70	.....	1	-----	----- SK1	
13	87539-ZT3-C60	MARK, EX. CAUTION .....	1	-----	----- B,CL,F,G,GW1,LB,RG,SB,W	
14	87564-ZT3-E60	MARK, A.C. CAUTION .....	1	-----	----- B,CL,F,G,GW1,W	
	87564-ZT3-C60	.....	1	-----	----- RG	
	87564-ZT3-C80	.....	1	-----	----- U	
15	87564-ZT3-C70	MARK, A.C. CAUTION .....	1	-----	----- LL0,RR0,SS0	
16	87564-ZT3-W10	MARK, A.C. CAUTION .....	1	-----	----- LB	
	87564-ZT3-D30	.....	1	-----	----- LL1,RR1,SS1	
	87564-ZT3-S80	.....	1	-----	----- LT	
	87564-ZT3-S50	.....	1	-----	----- RH	
	87564-ZT3-U10	.....	1	-----	----- SB	
17	87564-ZT3-S70	MARK, A.C. CAUTION .....	1	-----	----- SK1	
18	87578-ZT3-C60	LABEL, NOISE LEVEL(87) .....	1	-----	----- B,CL,F,G,GW1,W	
19	87580-ZT3-C61	MARK, CIRCUIT PROTECTOR .....	1	-----	----- B,CL,F,G,GW1,LB,RG,SB,W	
	87580-ZT3-C30	.....	1	-----	----- LL0,LL1,RR0,RR1,SS0,SS1	
	87580-ZT3-S80	.....	1	-----	----- LT	
	87580-ZT3-S51	.....	1	-----	----- RH	
	87580-ZT3-S70	.....	1	-----	----- SK1	
	87580-ZT3-C80	.....	1	-----	----- U	
20	87583-ZT3-C71	LABEL, A.C. RESET .....	1	-----	----- LL1,RR1,SS1	
21	87594-ZT3-010	MARK, OIL CAUTION .....	1	-----	----- B,CL,F,G,GW1,LB,LL0,LL1,LT,RG,RH,RR0,RR1,SB,SK1,SS0,SS1,U,W	
22	87596-ZT3-D30	MARK, OIL CHECK .....	1	-----	----- LL0,LL1,LT,RH,RR0,RR1	
23	87709-Z07-S50	MARK, RECYCLE .....	1	-----	----- GW1	



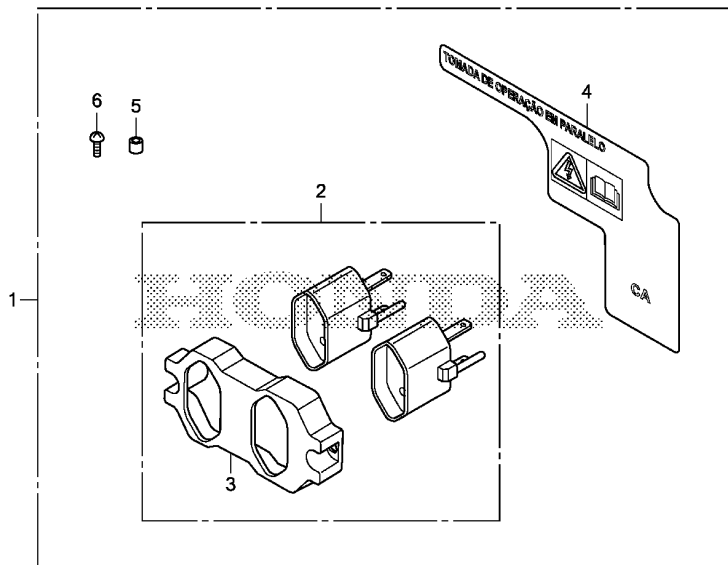
Z403F3200

Ref. L.O.N. (Relative ref. Number) F.R.T.  
No. Description

NO INFORMATION .....

3

Ref. No.	Part No.	Description	Reqd. QTY		Serial No.	Parts catalogue code
			EU	10i		
1	30400-ZT3-C02	SPARK UNIT .....	1	-----	-----	HP1
2	32310-812-640	PLUG ASSY., CONSENT .....	2	-----	-----	RH,RR0,RR1,SS0,SS1
3	32310-836-000	PLUG ASSY., CONSENT (15A/125V) .....	2	-----	-----	LL0,LL1,LT
4	32650-892-013	CORD ASSY., CHARGE (2M) .....	(1)	-----	-----	B,CL,F,G,LB,LL0,LL1,LT,RG,RH,RR0,RR1,SB,SK1,SS0,SS1,W
	32650-ZT3-D41	CORD ASSY., CHARGE .....	(1)	-----	-----	GW1
	32650-892-013	CORD ASSY., CHARGE (2M) .....	1	-----	-----	U
5	32651-892-003	PLUG ASSY., CONSENT .....	(1)	-----	-----	B,CL,F,G,GW1,LB,LL0,LL1,LT,RG,RH,RR0,RR1,SB,SK1,SS0,SS1,W
			1	-----	-----	U
6	84601-HA7-670	NUT, FENDER SETTING .....	4	-----	-----	HP1
7	89216-130-690	WRENCH, SPARK PLUG .....	1	-----	-----	
8	89219-805-000	HANDLE, BOX WRENCH .....	1	-----	-----	
9	90003-892-000	BOLT, FLANGE, 5X12 .....	2	-----	-----	HP1
10	90380-GM9-740	SCREW, SPECIAL, 6X15 .....	2	-----	-----	HP1



Z403Y0100

Ref. L.O.N. (Relative ref. Number) F.R.T.  
No. Description

NO INFORMATION .....

Ref. No.	Part No.	Description	Reqd. QTY	Serial No.	Parts catalogue code
			EU 10i T1		
1	06324-ZT3-F30	CONSENT KIT .....	(1)	-----	LL0,LL1,SS0,SS1
2	32331-ZT3-F30	ADAPTER, RECEPTACLE .....	(1)	-----	LL0,LL1,SS0,SS1
3	32332-ZT3-F30	CASE, ADAPTER (LB) .....	(1)	-----	LL0,LL1,SS0,SS1
4	32337-ZT3-F30	MARK, RECEPTACLE .....	(1)	-----	LL0,LL1,SS0,SS1
5	91552-737-790	COLLAR, 6X6 .....	(2)	-----	LL0,LL1,SS0,SS1
6	93500-04016-06	SCREW, PAN, 4X16 .....	(2)	-----	LL0,LL1,SS0,SS1

# PART NO. INDEX

G 1

Part Number	Address	Page	Ref.	Part Number	Address	Page	Ref.	Part Number	Address	Page	Ref.	Part Number	Address	Page	Ref.				
06000				16024-ZB9-005	E8	35	6	19000				E5	32	5	32336-ZC3-661	E3	30	14	
				16028-ZG0-811	E8	35	7					E6	33	5	32337-ZT3-F30	F8	51	4	
06324-ZT3-F30	F8	51	1	16044-ZM7-D01	E8	35	8	19511-ZT3-000	E15	42	1	31710-ZS9-A02	E1	28	6	32345-ZT3-A61	E3	30	15
				16100-ZM7-D28	E8	35	9	19514-ZT3-000	E15	42	2		E3	30	6	32345-ZT3-C01	E1	28	12
11000				16112-ZM7-D01	E8	35	10	19610-ZT3-000	E13	40	10		E5	32	6	32345-ZT3-C61	E5	32	12
				16124-ZE0-005	E8	35	11	19630-ZT3-010	E13	40	11		E6	33	6	32345-ZT3-E61	E3	30	15
11300-ZM7-415	D2	20	1	16166-ZM7-D02	E8	35	12	19632-ZT3-010	E13	40	12	31914-Z8Y-003	D1	19	6	32345-ZT3-W11	E6	33	12
11340-ZM7-D02	D3	21	1	16211-ZM7-D10	E8	35	13	19640-ZT3-010	E13	40	13					32346-ZT3-C01	E1	28	13
				16212-ZM7-D00	E8	35	14	19641-ZT3-010	E13	40	14	32000				32346-ZT3-C61	E3	30	16
12000				16221-ZG0-801	E8	35	15	19643-ZT3-000	E13	40	15						E5	32	13
				16512-ZM7-D00	D3	21	2	19644-ZT3-000	E13	40	16	32103-759-000	F3	46	8	32351-ZT3-000	E1	28	14
12100-ZM7-425	D1	19	1	16598-ZG1-750	E16	43	1					32105-ZT3-E60	E1	28	7		E3	30	17
12209-ZM7-003	D6	24	1	16700-ZT3-013	E11	38	1	28000				E3	30	7			E5	32	14
12311-ZM7-010	D1	19	2	16854-ZT3-000	E11	38	2					32105-ZT3-E70	E1	28	7		E6	33	13
12367-ZM7-000	D1	19	3	16857-ZT3-000	E11	38	3	28400-ZT3-P11	E7	34	1		E3	30	7	32601-ZT3-C70	E1	28	15
				16882-ZT3-000	E11	38	4	28451-ZM7-003	E15	42	3	32105-ZT3-E80	E5	32	7	32601-ZT3-S21	E4	31	18
13000				16950-ZT3-003	E11	38	5	28461-Z32-003	E7	34	2	32105-ZT3-L30	E1	28	7		E5	32	15
				16952-ZA8-800	E11	38	6	28462-ZT3-P11	E7	34	3	32105-ZT3-P10	E1	28	7	32601-ZT3-W10	E6	33	14
13010-ZM7-D00	D5	23	1					28464-Z32-003	E7	34	4	32105-ZT3-U10	E6	33	7	32650-892-013	F7	50	4
13101-ZM7-010	D5	23	2	17000				28475-ZT3-000	E7	34	5	32105-ZT3-W10	E6	33	7	32650-ZT3-D41	F7	50	4
13101-ZM7-800	D5	23	2									32118-ZT3-P10	E1	28	8	32651-892-003	F7	50	5
13111-122-000	D5	23	3	17211-ZT3-000	E13	40	2	30000				E3	30	8	32765-PE0-000	E8	35	17	
13115-147-000	D5	23	4	17230-ZT3-000	E13	40	3					E5	32	8					
13200-ZM7-800	D5	23	5	17231-ZT3-000	E13	40	4	30315-ZT3-003	F3	46	2		E6	33	8	35000			
13281-ZM7-010	D5	23	6	17232-ZT3-000	E13	40	5	30400-ZT3-C02	E1	28	1	32138-Z07-E60	E3	30	9				
13310-ZM7-D01	D4	22	1	17233-ZT3-000	E13	40	6		E3	30	1	32139-ZC3-G01	E1	28	9	35120-ZT3-023	F3	46	12
13331-ZM7-000	F3	46	1	17234-ZT3-000	E13	40	7		E5	32	1		E3	30	10	35123-ZT3-000	F3	46	13
				17251-ZT3-000	E13	40	8		E6	33	1		E5	32	9	35123-ZT3-900	F3	46	13
14000				17270-ZT3-030	E13	40	9		F7	50	1		E6	33	9	35127-ZT3-000	F3	46	14
				17274-ZT3-000	E8	35	16	30500-ZT3-023	F3	46	3	32150-ZT3-E61	E1	28	10	35480-ZM7-D02	D2	20	4
14100-ZM7-010	D6	24	2	17511-ZT3-C00	E11	38	7	30564-895-000	F3	46	4		E3	30	11				
14100-ZM7-D70	D6	24	2	17514-Z07-000	E11	38	8	30700-ZT3-C02	F3	46	5	32150-ZT3-E71	E1	28	10	36000			
14126-Z0G-003	D6	24	3	17514-ZT3-000	E11	38	9					E3	30	11					
14410-ZM7-000	D6	24	4	17532-Z07-000	E11	38	10	31000				E6	33	10	36135-ZA8-801	F3	46	15	
14431-ZM7-000	D6	24	5	17532-ZT3-000	E11	38	11					E1	28	10	36160-ZM7-D01	E8	35	18	
14435-ZM7-003	D6	24	6	17533-ZT3-000	E11	38	12	31120-ZT3-E61	F3	46	6	32150-ZT3-E81	E1	28	10	36161-ZM7-D21	E8	35	19
14451-ZM7-000	D6	24	7	17620-ZT3-030	E11	38	13	31120-ZT3-E71	F3	46	6	32150-ZT3-P11	E1	28	10	36162-ZM7-D21	E8	35	20
14711-ZM7-000	D6	24	8	17670-Z07-000	E11	38	14	31120-ZT3-P11	F3	46	6		E6	33	10	36165-ZL0-D31	E8	35	21
14721-ZM7-000	D6	24	9	17670-ZC3-700	E11	38	15	31130-ZT3-C01	F3	46	7	32157-ZT3-000	F3	46	9	36168-ZT3-C01	E8	35	22
14731-ZM7-013	D6	24	10	17701-ZT3-000	E11	38	16	31130-ZT3-G02	F3	46	7	32158-ZT3-E61	F3	46	10	36214-ZS9-A01	E1	28	16
14751-ZM7-000	D6	24	11	17701-ZT3-S11	E11	38	16	31310-ZT3-D22	E1	28	2	32158-ZT3-E71	F3	46	10		E4	31	19
14754-ZM7-000	D6	24	12	17702-ZT3-000	E11	38	17	31310-ZT3-E62	E1	28	2	32158-ZT3-P11	F3	46	10		E5	32	16
14771-ZM3-010	D6	24	13	17702-ZT3-S11	E11	38	17	31310-ZT3-E82	E5	32	2	32196-ZT3-P10	F3	46	11		E6	33	15
				17703-ZT3-000	E11	38	18	31310-ZT3-F62	E1	28	2	32310-812-640	F7	50	2				
15000				17703-ZT3-S11	E11	38	18					32310-836-000	F7	50	3	51000			
												E3	30	2	32330-Z07-W10	E6	33	11	
15571-ZM7-003	D1	19	4	18000				31310-ZT3-P12	E1	28	2	32330-ZT3-C31	E1	28	11	51110-ZT3-010	F2	45	1
15572-ZM7-000	D1	19	5									E6	33	2	32330-ZT3-C71	E1	28	11	
15600-ZDF-000	D2	20	2	18310-ZT3-S11	E10	37	1					E6	33	2	32330-ZT3-W10	E6	33	11	
15625-Z0T-800	D2	20	3	18320-ZT3-000	E16	43	2	31319-ZT3-000	E1	28	3	32331-Z07-C90	E3	30	12	63000			
15721-ZT3-000	E13	40	1	18320-ZT3-C60	E16	43	2					E3	30	3	32331-Z07-D50	E3	30	12	
				18327-ZT3-300	E16	43	3					E3	30	3	32331-Z25-640	E3	30	12	
16000				18331-ZT3-000	E10	37	2					E3	30	3	32331-Z25-A60	E3	30	12	
				18333-ZT3-010	E10	37	3	31324-ZT3-000	E1	28	4	32331-ZC3-R40	E3	30	12	63150-ZT3-C01	E16	43	4
16010-ZM7-D01	E8	35	1	18355-888-810	E10	37	4					E3	30	4	32331-ZT3-C60	E3	30	12	
16011-ZE0-005	E8	35	2	18382-ZC0-000	E10	37	5					E3	30	4	32331-ZT3-F30	F8	51	2	
16013-ZG0-811	E8	35	3									E6	33	4	32332-Z07-C81	E5	32	11	
16015-ZM7-003	E8	35	4					31460-ZT3-C01	E1	28	5	32332-ZT3-F30	F8	51	3	63210-ZT3-C02	E16	43	8
16016-ZH7-W01	E8	35	5									E3	30	5	63218-ZT3-000	E16	43	9	
												E6	33	4	63219-ZT3-000	E16	43	10	
												E3	30	5	63220-ZT3-C02	E16	43	11	
												E3	30	13	63340-ZT3-C01	E16	43	12	

4

# PART NO. INDEX

G 2

Part Number	Address	Page	Ref.	Part Number	Address	Page	Ref.	Part Number	Address	Page	Ref.	Part Number	Address	Page	Ref.
63344-ZT3-000	E16	43	13	87539-ZT3-S80	F5	48	12	90441-ZM7-000	D3	21	4		E14	41	32
63347-ZT3-C01	E16	43	14	87564-ZT3-C60	F6	49	14	90485-286-000	F1	44	22	94103-05800	F4	47	30
63510-ZT3-C00	E16	43	15	87564-ZT3-C70	F6	49	15	90551-033-000	E14	41	26	94103-06800	E15	42	5
63510-ZT3-C61	E16	43	15	87564-ZT3-C80	F6	49	14		F2	45	6	94111-05000	E4	31	26
63510-ZT3-C70	E16	43	15	87564-ZT3-D30	F6	49	16	90602-ZM7-000	D3	21	5	94301-06100	D3	21	6
63510-ZT3-E61	E16	43	15	87564-ZT3-E60	F6	49	14	90652-KT1-771	F3	46	20	94514-10150	F1	44	26
63510-ZT3-S20	E16	43	15	87564-ZT3-S50	F6	49	16	90672-SAO-003	F2	45	7				
63511-ZT3-C00	E16	43	16	87564-ZT3-S70	F6	49	17	90683-SAO-003	F4	47	21	95000			
63511-ZT3-C61	E16	43	16	87564-ZT3-S80	F6	49	16	90851-ZC3-000	E14	41	27				
63511-ZT3-C70	E16	43	16	87564-ZT3-U10	F6	49	16					95002-02080	E11	38	20
63511-ZT3-E61	E16	43	16	87564-ZT3-W10	F6	49	16	91000				95002-40800-08	E11	38	21
63512-ZT3-000	E16	43	17	87578-ZT3-C60	F6	49	18					95002-40850-08	E11	38	22
63713-ZT3-000	E13	40	17	87580-ZT3-C30	F6	49	19	91101-Z0G-003	D1	19	8	95002-41050-08	E12	39	23
				87580-ZT3-C61	F6	49	19	91202-HC5-003	D2	20	7	95002-50000	E12	39	24
68000				87580-ZT3-C80	F6	49	19	91301-ZM7-003	D2	20	8	95002-70000	E12	39	25
				87580-ZT3-S51	F6	49	19	91551-ZT3-000	E14	41	28	95003-05019-31	E9	36	25
68314-ZT3-000	F2	45	2	87580-ZT3-S70	F6	49	19	91552-737-790	F8	51	5	95003-07005-31	E9	36	26
68325-ZT3-000	E16	43	18	87580-ZT3-S80	F6	49	19	91554-ZT3-000	E14	41	29	95003-07016-31	E9	36	27
68333-ZT3-000	F2	45	3	87583-ZT3-C71	F6	49	20	91560-SE0-003	E2	29	22	95003-07035-31	E9	36	28
68336-ZT3-000	F2	45	4	87594-ZT3-010	F6	49	21					95701-06010-08	E2	29	20
68337-ZT3-000	E13	40	18	87596-ZT3-D30	F6	49	22						E4	31	27
68338-ZT3-000	E13	40	19	87709-Z07-S50	F6	49	23						E5	32	22
68339-ZT3-000	E13	40	20										E6	33	19
				89000				91651-ZT3-C00	F4	47	22	95701-06012-08	E2	29	21
84000				89216-130-690	F7	50	7						E4	31	28
84601-HA7-670	F7	50	6	89219-805-000	F7	50	8	93000					E5	32	23
													E6	33	20
87000				90000				93500-03005-0A	D1	19	9	95701-06016-08	E15	42	6
87101-ZT3-C32	F5	48	1	90001-ZM7-000	D5	23	7	93500-04006-0H	E14	41	30	95701-06040-00	E10	37	7
87114-ZT3-P90	F5	48	2	90002-MC7-000	F3	46	16	93500-04016-0G	F8	51	6	95701-06045-08	E10	37	8
87150-Z25-A61	F5	48	3	90003-892-000	D1	19	7	93500-05008-3J	F4	47	23	96000			
87150-Z40-C70	F5	48	4		F3	46	17	93500-05016-3J	E4	31	21				
87150-Z40-D30	F5	48	4		F7	50	9	93500-06100-0A	F1	44	23	96001-06010-07	F1	44	27
87150-Z40-D60	F5	48	4	90003-ZL0-D30	E8	35	23	93600-04012-0G	E4	31	22				
87150-Z40-S50	F5	48	4	90004-ZC3-000	E10	37	6	93600-04020-1G	E5	32	19	99000			
87150-Z40-S70	F5	48	4	90006-ZM7-000	D2	20	5	93891-04006-00	E2	29	18				
87150-Z40-S80	F5	48	4		D3	21	3	93891-05010-07	E7	34	7	99101-ZG0-0520	E9	36	29
87150-Z40-U10	F5	48	5	90012-896-750	D2	20	6	93891-05016-07	F1	44	24	99101-ZG0-0550	E9	36	29
87150-Z40-W10	F5	48	5	90014-KCZ-000	F3	46	18	93891-05020-07	E2	29	19	99101-ZG0-0580	E9	36	29
87152-Z40-W70	F5	48	6	90019-883-000	E13	40	21		E4	31	23	99204-ZE0-0350	E9	36	30
87501-ZT3-C31	F5	48	7	90029-888-000	E15	42	4		E5	32	20				
87501-ZT3-C61	F5	48	7		F2	45	5	93891-06020-07	F1	44	25				
87501-ZT3-C81	F5	48	7	90101-ZT3-000	E13	40	22	93893-04010-18	E8	35	24				
87501-ZT3-S50	F5	48	7	90102-899-003	E2	29	17	93901-12220	F4	47	24				
87511-ZT3-S20	F5	48	8		E4	31	20	93901-12420	F4	47	25				
87525-ZT3-C60	F5	48	9		E5	32	17	93903-25220	F4	47	26				
87525-ZT3-C70	F5	48	9		E6	33	16	93903-26320	F4	47	27				
87525-ZT3-C80	F5	48	9	90102-Z07-003	F1	44	19	93913-25520	E11	38	19				
87525-ZT3-S50	F5	48	9	90102-ZT3-010	E13	40	23		F4	47	28				
87525-ZT3-S70	F5	48	9	90103-ZT3-000	E13	40	24	94000							
87525-ZT3-S80	F5	48	9	90105-ZT3-000	F3	46	19								
87528-ZT3-C01	F5	48	10	90114-Z39-C30	F1	44	20	94050-04000	E4	31	24				
87531-ZT3-000	F5	48	11	90129-463-770	E13	40	25		E5	32	21				
87539-ZT3-C41	F5	48	12	90196-MN5-000	E7	34	6		E14	41	31				
87539-ZT3-C60	F6	49	13	90206-KM3-000	D6	24	14	94050-05080	F4	47	29				
87539-ZT3-S50	F6	49	12	90320-GE2-760	F1	44	21	94050-10080	F4	47	29				
87539-ZT3-S70	F6	49	12	90380-GM9-740	F7	50	10	94101-05000	E4	31	25				

4

# PART NAME INDEX

H 1

Part name	Address	Page	Ref.	Part name	Address	Page	Ref.	Part name	Address	Page	Ref.
[ A ]				CAP ASSY., OIL FILLER..... D2 20 2				COVER, THROTTLE MOTOR..... E8 35 22			
ADAPTER, RECEPTACLE .....	F8	51	2	CARBURETOR ASSY. ....	E8	35	9	CRANKSHAFT COMP. ....	D4	22	1
ARM, VALVE ROCKER .....	D6	24	5	CASE ASSY., OIL .....	D2	20	1	[ D ]			
ARRESTER, SPARK .....	E10	37	4	CASE, ADAPTER .....	F8	51	3	DIPPER, CONNECTING ROD..... D5 23 6			
[ B ]				CHAMBER SET, FLOAT .....	E8	35	4	DOWEL PIN, 6X10..... D3 21 6			
BAND A, HARNESS .....	E2	29	22	CHOKE SET .....	E8	35	8	[ E ]			
	E4	31	23	CIRCLIP, EXTERNAL, 10MM .....	F1	44	26	ELEMENT, AIR CLEANER..... E13 40 2			
	E5	32	18	CLAMP A, CABLE .....	F3	46	4	EMBLEM..... F5 48 1			
	E6	33	17	CLAMP D, HIGH TENSION CORD .....	E8	35	17	[ F ]			
BAND, HARNESS .....	F3	46	15	CLAMP, TUBE .....	E11	38	21	FAN, COOLING..... E15 42 1			
BAND, WIRE .....	F3	46	20	CLIP .....	E12	39	24	FILTER COMP., FUEL..... E11 38 14			
BARREL COMP., CYLINDER .....	D1	19	1	CLIP, GOVERNOR HOLDER .....	D3	21	5	FILTER, BREATHER..... D1 19 3			
BED COMP., ENGINE .....	F2	45	1	CLIP, PISTON PIN, 10MM .....	D5	23	4	FLOAT SET..... E8 35 3			
BOLT, CONNECTING ROD .....	D5	23	7	CLIP, TUBE .....	E11	38	20	[ G ]			
BOLT, FLANGE, 5X10 .....	E7	34	6	CLIP, WIRE HARNESS, 25MM .....	F4	47	21	GASKET SET..... E8 35 1			
BOLT, FLANGE, 5X12 .....	E13	40	21	COCK ASSY., FUEL .....	E11	38	5	GASKET, EX. PIPE..... E10 37 3			
	D1	19	7	COIL ASSY., IGNITION .....	F3	46	3	GASKET, MUFFLER..... E10 37 5			
	F3	46	17	COIL COMP., PULSER .....	F3	46	2	GRIP, STARTER..... E7 34 2			
	F7	50	9	COLLAR A, INSULATOR .....	F2	45	3	GROMMET, GENERATOR CORD..... F4 47 22			
BOLT, FLANGE, 5X14 .....	D2	20	6	COLLAR B, INSULATOR .....	E13	40	20	GUIDE, STARTER ROPE..... E7 34 5			
BOLT, FLANGE, 5X20 .....	E10	37	6	COLLAR C, INSULATOR .....	F2	45	4	[ H ]			
BOLT, FLANGE, 5X23 .....	D2	20	5	COLLAR D, INSULATOR .....	E13	40	18	HANDLE, BOX WRENCH..... F7 50 8			
BOLT, FLANGE, 5X25 .....	F3	46	18	COLLAR, 6X6 .....	F8	51	5	HARNESS ASSY., CONTROL WIRE... E1 28 10			
BOLT, FLANGE, 5X8 .....	F3	46	16	COLLAR, AIR CLEANER CASE .....	E14	41	28	E3 30 11			
BOLT, FLANGE, 6X10 .....	E2	29	20	COLLAR, CONTROL COVER .....	E16	43	1	E5 32 10			
	E4	31	27	COLLAR, DISTANCE .....	E14	41	29	E6 33 10			
	E5	32	22	COLLAR, LIFTER .....	D6	24	12	HARNESS ASSY., GENERATOR WIRE... F3 46 10			
	E6	33	19	COLLAR, REFLECTOR SETTING.....	E13	40	25	HARNESS ASSY., SUB WIRE..... E1 28 7			
BOLT, FLANGE, 6X12 .....	F1	44	27	CONSENT ASSY. ....	E1	28	11	E3 30 7			
	E2	29	21	CONSENT COMP., D.C. ....	E1	28	5	E5 32 7			
	E4	31	28		E3	30	5	E6 33 7			
	E5	32	23	CONSENT KIT .....	E5	32	5	E6 33 7			
	E6	33	20	CORD ASSY., CHARGE .....	F8	51	1	HARNESS ASSY., GENERATOR WIRE... F3 46 10			
BOLT, FLANGE, 6X16 .....	E15	42	4	CORD, IGNITION EARTH .....	F7	50	4	HARNESS ASSY., SUB WIRE..... E1 28 7			
	F2	45	5	COVER ASSY., FR. ....	F3	46	9	E3 30 7			
BOLT, FLANGE, 6X40 .....	E10	37	7	COVER ASSY., FR. ....	E16	43	15	E5 32 7			
BOLT, FLANGE, 6X45 .....	E10	37	8	COVER ASSY., MAINTENANCE .....	E16	43	4	E6 33 7			
BOLT, STUD .....	E13	40	22	COVER ASSY., PLUG CHECK .....	E16	43	12	HOLDER, GOVERNOR WEIGHT..... D3 21 2			
	E13	40	24	COVER COMP., AIR CLEANER .....	E13	40	3	[ I ]			
BOLT, STUD, 5X91 .....	E13	40	23	COVER COMP., CRANKCASE SIDE ...	D3	21	1	INSULATOR, CARBURETOR..... E8 35 13			
BOSS, COOLING FAN .....	E15	42	2	COVER COMP., FAN .....	E13	40	10	INSULATOR, ENGINE BED..... F2 45 2			
BRACKET, WIRE HARNESS CLIP ...	F3	46	8	COVER COMP., L. SIDE .....	E16	43	8	INSULATOR, SHROUD..... E13 40 19			
[ C ]				COVER COMP., R. SIDE .....	E16	43	8	INVERTER UNIT..... E1 28 2			
CABLE, EARTH .....	E1	28	15	COVER, AIR CLEANER .....	E13	40	4	E3 30 2			
	E4	31	18	COVER, CONTROL PANEL .....	E1	28	14	E5 32 2			
	E5	32	15		E3	30	17	E6 33 2			
	E6	33	14	COVER, FR. ....	E5	32	14	[ J ]			
CAMSHAFT ASSY. ....	D6	24	2	COVER, FR. ....	E16	43	16	JET SET, PILOT, #35..... E9 36 30			
CAP ASSY., FUEL TANK .....	E11	38	13	COVER, GRIP .....	E7	34	4	JET, MAIN, #52..... E9 36 29			
CAP ASSY., NOISE SUPPRESSOR ..	F3	46	5	COVER, HEAD .....	D1	19	2	JET, MAIN, #55..... E9 36 29			
				COVER, MAINTENANCE .....	E16	43	5				
				COVER, PLUG CHECK .....	E16	43	14				
				COVER, SOCKET .....	E3	30	9				

# PART NAME INDEX

H 2

Part name	Address	Page	Ref.	Part name	Address	Page	Ref.	Part name	Address	Page	Ref.
JET, MAIN, #58 .....	E9	36	29	[ P ]				RUBBER, BOTTOM .....	E16	43	18
JOINT COMP., AIR INTAKE .....	E13	40	9	PACKING, AIR INTAKE JOINT .....	E8	35	16	RUBBER, OIL CHECK .....	E13	40	17
JOINT, AIR VENT TUBE .....	E8	35	10	PACKING, CARBURETOR .....	E8	35	15	[ S ]			
[ K ]				PACKING, INSULATOR .....	E8	35	14	SCREW-WASHER, 3X8 .....	E8	35	23
KEY, SPECIAL .....	F3	46	1	PACKING, OIL FILLER CAP .....	D2	20	3	SCREW-WASHER, 4X10 .....	E8	35	24
KNOB, ENGINE SWITCH .....	F3	46	13	PACKING, RECEPTACLE .....	E3	30	13	SCREW-WASHER, 4X6 .....	E2	29	18
[ L ]				PANEL COMP., CONTROL .....	E1	28	12	SCREW-WASHER, 5X10 .....	E7	34	7
LABEL, A.C. RESET .....	F6	49	20		E3	30	15	SCREW-WASHER, 5X16 .....	F1	44	24
LABEL, NOISE LEVEL .....	F6	49	18	PANEL, CONTROL .....	E6	33	12	SCREW-WASHER, 5X20 .....	E2	29	19
LABEL, WARNING .....	F5	48	2		E1	28	13		E4	31	23
LEVER, LINK .....	E8	35	19		E3	30	16		E5	32	20
LIFTER, VALVE .....	D6	24	10		E5	32	13		E6	33	18
[ M ]				PIN, PISTON, 10X33 .....	D5	23	3	SCREW-WASHER, 6X20 .....	F1	44	25
MARK, A.C. CAUTION .....	F6	49	14	PIPE, EX. ....	E10	37	2	SCREW SET .....	E8	35	7
				PISTON .....	D5	23	2	SCREW SET, DRAIN .....	E8	35	6
				PIVOT, ROCKER ARM .....	D6	24	7	SCREW SET, PILOT .....	E8	35	5
MARK, CAUTION .....	F5	48	3	PLATE, ENGINE SWITCH .....	F3	46	14	SCREW, FLAT, 4X12 .....	E4	31	22
				PLATE, STOPPER .....	D1	19	5	SCREW, FLAT, 4X20 .....	E5	32	19
				PLUG ASSY., CONSENT .....	F7	50	2	SCREW, FR. COVER .....	F1	44	20
								SCREW, PAN, 3X5 .....	D1	19	9
MARK, CAUTION .....	F5	48	3	PLUG, SPARK .....	D1	19	6	SCREW, PAN, 4X16 .....	F8	51	6
				PROTECTOR COMP., MUFFLER .....	E16	43	2	SCREW, PAN, 4X19 .....	F3	46	19
				PULLEY, RECOIL STARTER .....	E15	42	3	SCREW, PAN, 4X6 .....	E14	41	30
MARK, CAUTION VOLTAGE .....	F5	48	8	PUMP ASSY., FUEL .....	E11	38	1	SCREW, PAN, 5X12 .....	E2	29	17
MARK, CHOKE .....	F5	48	10						E4	31	20
MARK, CIRCUIT PROTECTOR .....	F6	49	19	[ R ]					E5	32	17
MARK, D.C. CAUTION .....	F5	48	9	RECEPTACLE .....	E3	30	12		E6	33	16
MARK, ENGINE SWITCH .....	F5	48	7		E6	33	11	SCREW, PAN, 5X16 .....	E4	31	21
MARK, EX. CAUTION .....	F5	48	12	RECTIFIER ASSY. ....	E1	28	6	SCREW, PAN, 5X8 .....	F4	47	23
					E3	30	6	SCREW, PAN, 6X100 .....	F1	44	23
MARK, HONDA .....	F5	48	11		E5	32	6	SCREW, SPECIAL, 6X15 .....	F7	50	10
MARK, OIL CAUTION .....	F6	49	21	RETAINER, VALVE SPRING .....	D6	24	13	SCREW, SPECIAL, 6X16 .....	F1	44	19
MARK, OIL CHECK .....	F6	49	22	RING SET, PISTON .....	D5	23	1	SCREW, TAPPING, 3X10 .....	F4	47	24
MARK, RECEPTACLE .....	F8	51	4	ROD ASSY., CONNECTING .....	D5	23	5	SCREW, TAPPING, 3X16 .....	F4	47	25
MARK, RECYCLE .....	F6	49	23	ROD, PUSH .....	D6	24	4	SCREW, TAPPING, 5X12 .....	F4	47	26
MARK, SPEC .....	F5	48	6	ROLLER .....	D6	24	3	SCREW, TAPPING, 6X20 .....	F4	47	27
MOTOR ASSY., THROTTLE CONTROL	E8	35	18	ROLLER, 6X14.8 .....	D1	19	8	SCREW, THROTTLE STOP .....	E8	35	11
MOTOR COMP., THROTTLE CONTROL	E8	35	21	ROPE, RECOIL STARTER .....	E7	34	3	SEAL A, AIR CLEANER COVER .....	E13	40	6
MUFFLER COMP. ....	E10	37	1	ROTOR COMP. ....	F3	46	7	SEAL A, MAINTENANCE COVER .....	E16	43	6
[ N ]				RUBBER A, INVERTER .....	E1	28	3	SEAL A, SHROUD .....	E13	40	15
NOZZLE, MAIN .....	E8	35	12		E3	30	3	SEAL A, SIDE COVER .....	E16	43	9
NUT, FENDER SETTING .....	F7	50	6	RUBBER A, SUPPORTER .....	E11	38	2	SEAL B, AIR CLEANER COVER .....	E13	40	7
NUT, FLANGE, 10MM .....	F4	47	29	RUBBER A, TANK MOUNTING .....	E11	38	10	SEAL B, MAINTENANCE COVER .....	E16	43	7
NUT, FLANGE, 4MM .....	E4	31	24	RUBBER B, INVERTER .....	E1	28	4	SEAL B, SHROUD .....	E13	40	16
	E5	32	21		E3	30	4	SEAL B, SIDE COVER .....	E16	43	10
NUT, FLANGE, 5MM .....	E14	41	31	RUBBER B, SUPPORTER .....	E11	38	3	SEAL RUBBER, PROTECTOR .....	E16	43	3
NUT, SPRING, 5MM .....	F1	44	21	RUBBER L, TANK MOUNTING .....	E11	38	12	SEAL, CONSENT .....	E3	30	14
NUT, TAPPET ADJUSTING .....	D6	24	14	RUBBER R, TANK MOUNTING .....	E11	38	11	SEAL, FR. COVER .....	E16	43	17
[ O ]				RUBBER, AIR CLEANER .....	E13	40	5	SEAL, FUEL FILLER NECK .....	E11	38	8
OIL SEAL, 17X27X5 .....	D2	20	7						E5	32	8
O-RING, 34.6X2.5 .....	D2	20	8	RUBBER B, SUPPORTER .....	E11	38	3	SEAL, PLUG CHECK .....	E16	43	13
				RUBBER L, TANK MOUNTING .....	E11	38	12	SEAL, VALVE STEM .....	D6	24	1
				RUBBER R, TANK MOUNTING .....	E11	38	11	SHEET, WATER PROOF .....	E1	28	8
									E3	30	8
									E5	32	8



# PART NAME INDEX

**H 3**

Part name	Address	Page	Ref.	Part name	Address	Page	Ref.	Part name	Address	Page	Ref.
SHEET, WATER PROOF .....	E6	33	8	WASHER, SPROCKET SETTING .....	E14	41	26				
SHROUD ASSY., L. ....	E13	40	13		F2	45	6				
SHROUD ASSY., R. ....	E13	40	11	WRENCH, SPARK PLUG .....	F7	50	7				
SHROUD, L. ....	E13	40	14								
SHROUD, R. ....	E13	40	12								
SOCKET .....	E5	32	11								
SOCKET, COMPOSITE .....	E1	28	9								
	E3	30	10								
	E5	32	9								
	E6	33	9								
SPARK UNIT .....	E1	28	1								
	E3	30	1								
	E5	32	1								
	E6	33	1								
	F7	50	1								
SPRING, COMPRESSION COIL .....	E8	35	20								
SPRING, VALVE .....	D6	24	11								
STARTER ASSY., RECOIL .....	E7	34	1								
STATOR ASSY. ....	F3	46	6								
STRAINER, FUEL .....	E11	38	6								
STRAP, CABLE, 118MM .....	F2	45	7								
SUB CORD ASSY. ....	F3	46	11								
SWITCH ASSY., ENGINE STOP .....	F3	46	12								
SWITCH ASSY., OIL LEVEL .....	D2	20	4								
SWITCH COMP., AUTO-THROTTLE ..	E1	28	16								
	E4	31	19								
	E5	32	16								
	E6	33	15								
[ T ]											
TANK, FUEL .....	E11	38	7								
TUBE A, FUEL .....	E11	38	17								
TUBE B, FUEL .....	E11	38	18								
TUBE, AIR CLEANER CONNECTING ..	E13	40	8								
TUBE, BREATHER .....	E13	40	1								
TUBE, DIAPHRAGM .....	E11	38	4								
TUBE, FUEL TANK .....	E11	38	16								
TUBE, VINYL, 3.5X6.5X190 .....	E9	36	25								
TUBE, VINYL, 4X7X160 .....	E9	36	27								
TUBE, VINYL, 4X7X350 .....	E9	36	28								
TUBE, VINYL, 4X7X50 .....	E9	36	26								
[ V ]											
VALVE SET, FLOAT .....	E8	35	2								
VALVE, EX. ....	D6	24	9								
VALVE, IN. ....	D6	24	8								
VALVE, OIL OUTLET .....	D1	19	4								
[ W ]											
WASHER, 4.2X13 .....	D3	21	4								
WASHER, 6MM .....	F1	44	22								
WASHER, PLAIN, 5MM .....	E4	31	25								
	E14	41	32								
	F4	47	30								
WASHER, PLAIN, 6MM .....	E15	42	5								
WASHER, SPRING, 5MM .....	E4	31	26								



---

**1**

**FOREWORD INDEX**

---

**2**

**ENGINE GROUP**

---

**3**

**FRAME GROUP**

---

**4**

**PART NUMBER INDEX**

---

**5**

**PART NAME INDEX**

---

**HONDA**  
The Power of Dreams