

GENERATOR

EU65is
EU65is1
EU65isN1

PARTS CATALOGUE

4



EU65is

FOREWORD INDEX

1

ENGINE GROUP

2

FRAME GROUP

3

PART NUMBER INDEX

4

PART NAME INDEX

5

Instruction for use of parts catalogue

- **This parts catalogue was prepared based on the latest information available as of February 01, 2012.**
- See the parts catalogue news for any revision that is made after February 01, 2012.
- **Always specify the part number when ordering a part.**
 - Check the model, type, serial numbers, color, maker, and the size as needed before ordering a part.
 - Note that the illustrations (part drawings) can differ from the actual parts in shape. They are given just to help you to refer to the parts.
- **When modifications or additions to this parts catalogue are made, a revised edition will be issued at an appropriate time, with successively progressing revision numbers on the cover. We recommend obtaining such revisions in order to keep your parts catalogue up-to-date at all times. To check whether a parts catalogue revision has been issued, please contact your Honda distributor.**

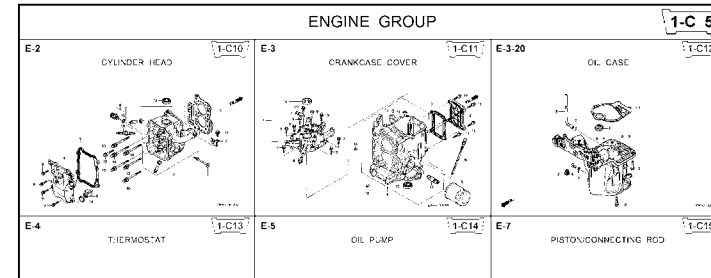
Initial version issue date **February 10, 2007**
Honda Motor Co., Ltd.

CONTENTS

	Page	Address No.	
● Instruction for use of parts catalogue	1	B 1	1
● How to refer to the part information	2	B 2	
● Part catalogue structure	3	B 3	
● When the parts were revised.....	4	B 4	
● Abbreviations used in the parts catalogue.....	4	B 4	
● How to check the part block and serial numbers.....	5	B 5	
● Models, parts catalogue codes and applicable serial numbers	6	B 6	
● Features of each type.....	9	B 9	
● Fuel hose, general purpose hoses and vinyl hose.....	13	B13	
● FLAT RATE SERVICE TIME	14	B14	
● Illustrated index	19	C 3	
● ENGINE GROUP.....	23	D 1	2
● FRAME GROUP.....	37	E 1	3
● PART NO. INDEX.....	78	H 1	4
● PART NAME INDEX.....	82	I 1	5

How to refer to the part information

A Reference with "Illustrated index"



B Reference with "Part number index"

PART NO. INDEX						
Part Number	Address	Page	Ref.	Part Number	Address	Page
06000				15212-ZW9-000	1-C14	3C
06316-ZW9-000	1-G9	88	1	15220-ZW9-003	1-C14	3C
11000				15332-ZW9-000	1-E8	55
11300-ZW9-405	1-C11	27	1	15332-ZW9-A30	1-E11	5E
11300-ZW9-406	1-C11	27	1	15400-PFB-004	1-C11	27
11340-ZW9-000	1-C11	27	2	15422-ZW9-000	1-C14	3C
11342-ZW9-000	1-C11	27	3	15473-881-000	1-C14	3C
11381-ZW9-003	1-C12	28	1	15474-ZW9-000	1-C14	3C
				15611-921-000	1-C10	2E
				15655-ZW9-000	1-C11	27
				16000		
12000				16010-ZV4-005	1-D4	3E
12000-ZW9-405ZA	1-C11	27	4	16011-ZV4-005	1-D4	3E
12155-ZV4-A00	1-C13	29	1	16013-ZW9-003	1-D4	3E
12166-ZW9-000	1-C10	26	1	16016-ZW9-003	1-D4	3E
12209-GB4-681	1-C16	32	1	16016-ZW9-721	1-D4	3E
12210-ZW9-405ZA	1-C10	26	2	16023-ZW9-003	1-D4	3E
12216-ZE2-300	1-E8	55	1	16024-ZV4-650	1-D4	3E
	1-E11	58	1	16028-ZV4-650	1-D4	3E

Block No.

Address No. 1-C10

Ref. No.	Part No.	Description	Reqd. QTY						Serial No.	Parts catalogue code
			99D1	99D1	10D1	10D1	10B1	10B1		
1	12166-ZW9-000	STOPPER, ENGINE SIDE	2	2	2	2	2	2		
2	12210-ZW9-000ZA	HEAD COMP., CYLINDER	1	1	1	1	1	1		
3	12251-ZW9-003	GASKET, CYLINDER HEAD	1	1	1	1	1	1		
4	12310-ZW9-000	COVER COMP., HEAD	1	1	1	1	1	1		
5	12312-ZW9-000	PACKING, HEAD COVER	1	1	1	1	1	1		
6	15611-921-000	CAP, OIL (NO GAUGE)	1	1	1	1	1	1		
7	16617-ZW9-000	HOLDER, CABLE	1	1	1	1	1	1	SC,SG	
	16617-ZW9-010		1	1	1	1	1	1	1001801 LHC,LHD	
			1	1	1	1	1	1	LHC,LHD	
8	35673-ZV5-003	SENSOR ASSY., WATER	1	1	1	1	1	1		
9	90003-ZW9-000	BOLT, FLANGE, 6X22	4	4	4	4	4	4		
10	90007-ZW9-003	BOLT, FLANGE, 8X83	6	6	6	6	6	6		
11	90011-ZW9-000	BOLT, FLANGE, 6X14(CT200)	1	1	1	1	1	1		
12	90020-ZW9-000	BOLT, FLANGE, 8X40	2	2	2	2	2	2		
13	91202-KJ9-003	OIL SEAL, 20X32X6	1	1	1	1	1	1		
14	91301-805-000	O-RING, 26X2.7	1	1	1	1	1	1		
15	91307-PK2-005	O-RING, 9.5X1.5(HONDA KIKAKI)	1	1	1	1	1	1		
16	98059-55916	PLUG, SPARK (CR5EH-9)	2	2	2	2	2	2		
	98059-55926	PLUG, SPARK (U16FER9)	2	2	2	2	2	2		

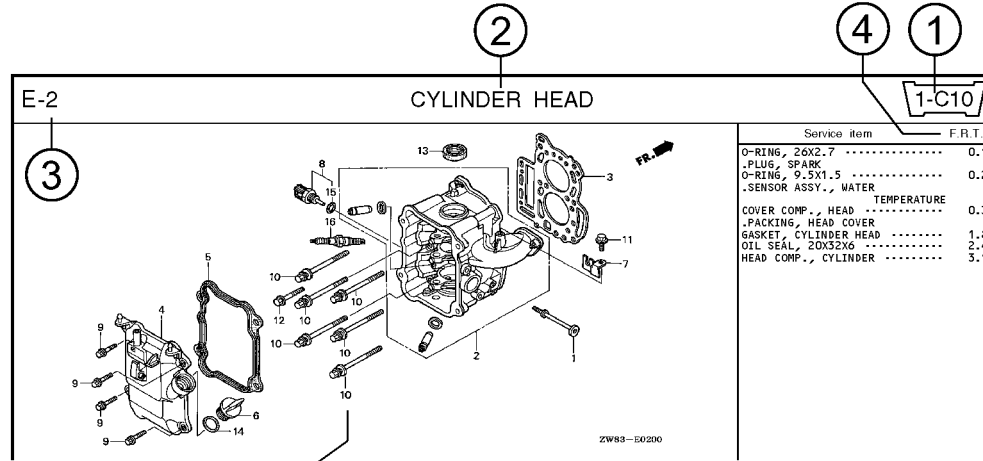
C Reference with "Part name index"

PART NAME INDEX					
Part name	Address	Page	Ref.		
[A]					
ABSORBER, FUEL	1-E15	62	5	BOLT,	
ARMATURE COMP.	1-D11	43	7	BOLT,	
ARM COMP., LINK JOINT	1-G6	85	18	BOLT,	
ARM COMP., SHIFT LINK	1-G6	85	14	BOLT,	
ARM COMP., TILT	1-F15	79	20		
ARM, FUEL PUMP ROCKER	1-C16	32	4		
ARM, REVERSE LOCK	1-F15	79	18		
ARM, SHIFT LINK	1-F11	74	7		
ARM, STOPPER	1-D1	33	12	BOLT,	
ARM, THROTTLE REMOTE	1-F11	74	6		
ARM, VALVE ROCKER	1-C16	32	3		
[B]					
BAG, TOOL, 160MM	1-G5	84	10		
BAND	1-G6	86	37		
BAND B1, WIRE	1-F6	69	1		
BAND, CORD	1-F3	67	18	BOLT,	
BAND, TUBE CLIP, 11MM	1-E15	63	20		
BAND, TUBE CLIP, 12.5MM	1-E15	63	19	BOLT,	

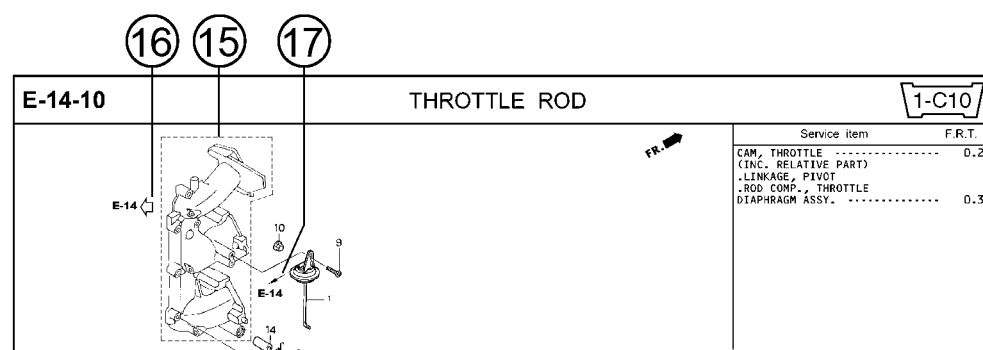
Page No.

2000.09.20 E

Part catalogue structure



Ref. No.	Part No.	Description	Reqd. QTY						Serial No.	Parts catalogue code
			BF 9/9D1	BFP 9/9D1	BF 10D1	BFP 10D1	BF 10B1	BFP 10B1		
1	12166-ZW9-000	STOPPER, ENGINE SIDE	2	2	2	2	2	2		
2	12210-ZW9-000ZA	HEAD COMP., CYLINDER *NHS* DARK GRAY	1	1	1	1	1	1		
3	12251-ZW9-003	GASKET, CYLINDER HEAD	1	1	1	1	1	1		
4	12310-ZW9-000	COVER COMP., HEAD	1	1	1	1	1	1		
5	12312-ZW9-000	PACKING, HEAD COVER	1	1	1	1	1	1		
6	15611-921-000	CAP, OIL (NO GAUGE)	1	1	1	1	1	1		
7	16617-ZW9-000	HOLDER, CABLE	1	1	1	1	1	1	SC,SG	
	16617-ZW9-010		1	1	1	1	1	1	1001800 LHC,LHD	



① Address number
• Address No. is provided (in place of the page No.) to help you refer to the part with the part No. or part name.

② Block title ③ Block number

④ Service item/Flat rate time

⑤ Reference number
• Title number marked with the parenthesis or parentheses indicates that it continues from the previous page.

⑥ Part number ⑦ Honda color code

⑧ Description

⑨ Assemblies

• Sections framed with broken lines in the exploded view drawings are available as complete assemblies. (Their individual parts can also be obtained.)

⑩ Color description

⑪ Note

• Notes are shown with the parentheses in the part name column.

⑫ Required quantity

• Required QTY shown in the parenthesis or parentheses indicates the optional part.
• Required QTY marked with "N" Indicates the optional part that should be selected as needed.
• Required QTY indicates the number of the part used in the block.

⑬ Serial number

⑭ Type

• When the type column is blank, it indicates that the part is applicable to all types.
• As the type of the actual unit may differ from the "parts catalogue, type" please refer to "Models, types and applicable serial numbers" for confirmation.

⑮

• Parts enclosed within a dotted line are covered in a different block.

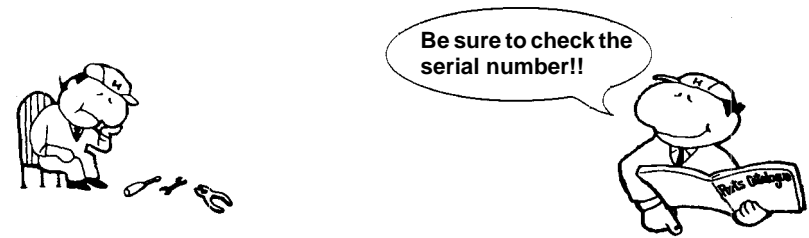
⑯

• A hollow arrow indicates the block No. for the parts enclosed within a dotted line.

⑰

• A solid arrow indicates the block No. the part in question is connected to.

When the parts were revised



Ref. No.	Part No.	Description	Reqd. QTY						Serial No.
			BF 9.9D1	BFP 9.9D1	BF 10D1	BFP 10D1	BF 10B1	BFP 10B1	
1	12166-ZW9-000	STOPPER, ENGINE SIDE	2	2	2	2	2	2	
2	12210-ZW9-000ZA	HEAD COMP., CYLINDER							
		NH8.....DARK GRAY	1	1	1	1	1	1	
3	12251-ZW9-003	GASKET, CYLINDER HEAD	1	1	1	1	1	1	
4	12310-ZW9-000	COVER COMP., HEAD	1	1	1	1	1	1	
5	12312-ZW9-000	PACKING, HEAD COVER	1	1	1	1	1	1	
6	15611-921-000	CAP, OIL (NO GAUGE)	1	1	1	1	1	1	
7	16617-ZW9-000	HOLDER, CABLE (###)	1	1	1	1	1	1	
	16617-ZW9-010		1	1	1	1	1	1	

The number has been used from the initial model without revision.

When shown at the left side, it is applicable to the models of No.1001801 and the subsequent numbers.

When shown at the right side, it is applicable to the models up to No.1001800.

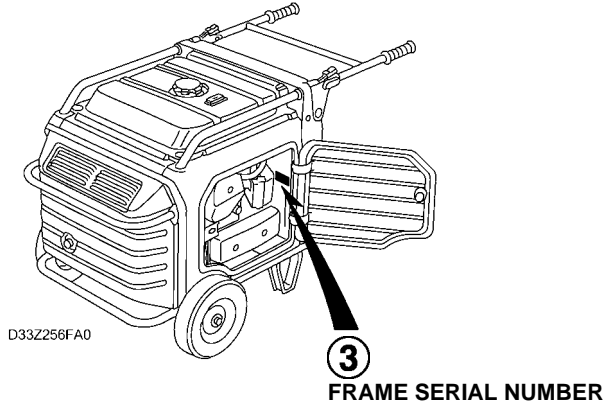
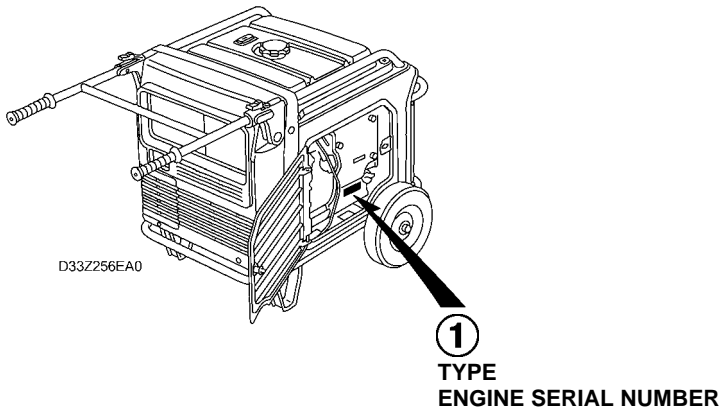
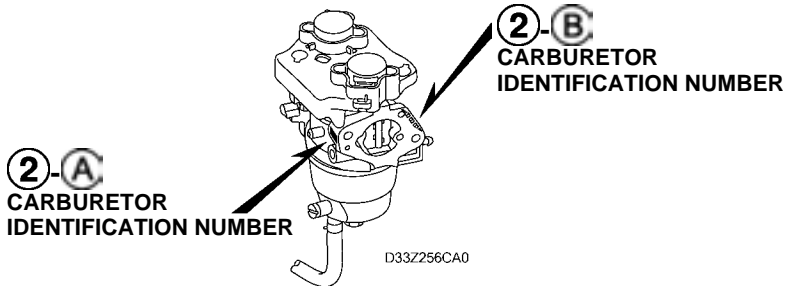
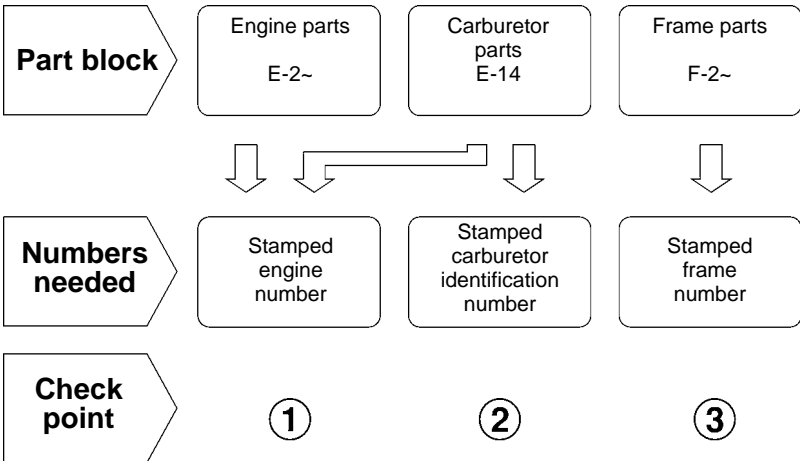
- The parts listed with "###" at the end of the parts name have limited supply period (parts not for sale).

Abbreviations used in the parts catalogue

• The following abbreviations are used in the parts name column.

- | | |
|--|-----------------------------|
| A Ampere | FR.Front |
| A.C. Alternating current | IN.Inlet |
| ASSY. Assembly | L (100L) .Link (100 Links) |
| AT. Automatic transmission | L.Left |
| C.D.I. Capacitive discharge ignition | MMMillimeter |
| COMP. ... Complete | MT.Manual Transmission |
| D.C. Direct current | P.T.O.Power take off |
| EX. Exhaust | R.Right |
| G.F.C.I ... Ground fault circuit interruptor | RR.Rear |
| HEX. Hexagonal | STD.Standard |
| H.S.T. Hydrostatic transmission | T (22T) ...Tooth (22 Teeth) |
| | VVolt |
| | WWatt |

How to check the part block and serial numbers



Models, parts catalogue codes and applicable serial numbers

1

- Models, parts catalogue codes and applicable serial Nos. given in this parts catalogue can be identified as follows.

Model	Type	Parts catalogue type	Engine		Applicable engine serial No.	Applicable frame serial No.	Applicable carburetor serial No.
			Model	Type			
EU65is	F	F	GX390K1	EZ2	GCAA-3400001~	EASJ-1000001~	BE89G A
	G	G					
	GW	GW					
	IT	IT					
	K	K		EZ5			
	L	L					
	LT	LT					
	R	R					
	RD	RD					
	RH	RH					
	SK	SK					
U	U						
EU65is1	CL	CL	GX390K2	EY3	GCBJK-1000001~	EASJ-1200001~	BE95D A
	CLT	CLT	GX390T2	EY9	GCBDT-1000001~		
	F	F	GX390K2	EY3	GCBJK-1000001~		
	FT	FT	GX390T2	EY9	GCBDT-1000001~		
	G	G	GX390K2	EY3	GCBJK-1000001~		
	GT	GT	GX390T2	EY9	GCBDT-1000001~		

Model	Type	Parts catalogue type	Engine		Applicable engine serial No.	Applicable frame serial No.	Applicable carburetor serial No.
			Model	Type			
EU65is1	GW	GW	GX390K2	EY3	GCBJK-1000001~	EASJ-1200001~	BE95D A
	GWT	GWT	GX390T2	EY9	GCBDT-1000001~		
	IT	IT	GX390K2	EY3	GCBJK-1000001~		
	ITT	ITT	GX390T2	EY9	GCBDT-1000001~		
	K	K	GX390K2	EY4	GCBJK-1000001~		
	KT	KT	GX390T2	ED5	GCBDT-1000001~		
	L	L	GX390K2	EY4	GCBJK-1000001~		
	L9T	L9T	GX390T2	ED5	GCBDT-1000001~		
	LT	LT	GX390K2	EY4	GCBJK-1000001~		
	LTT	LTT	GX390T2	ED5	GCBDT-1000001~		
	R	R	GX390K2	EY4	GCBJK-1000001~		
	RH	RH					
	RHT	RHT	GX390T2	ED5	GCBDT-1000001~		
	RT	RT					
	S	S	GX390K2	EY4	GCBJK-1000001~		
	SK	SK					
	SKT	SKT	GX390T2	ED5	GCBDT-1000001~		
ST	ST						

Model	Type	Parts catalogue type	Engine		Applicable engine serial No.	Applicable frame serial No.	Applicable carburetor serial No.
			Model	Type			
EU65is1	U	U	GX390K2	EY4	GCBJK-1000001~	EASJ-1200001~	BE95D A
	UT	UT	GX390T2	ED5	GCBDT-1000001~		
EU65isN1	RDT	RDT		EU8		EEDD-1000001~	

* Of carburetor identification numbers, only the portions underlined in the example below are used for registration.

BE 89G A KC †
 (A) (B)

Features of each type

• See the following table for the features of each type. (Items in brackets are optional)

Specifications		Model	EU65is											
		Type	F	G	GW	IT	K	L	LT	R	RD	RH	SK	U
Frequency	50Hz		●	●	●	●	●			●		●		●
	60Hz							●	●				●	
Voltage	120V / 240V							●	●					
	220V						●			●			●	
	230V		●	●	●	●						●		
	240V													●
Consent plug	15A / 125V							●	●					
	20A / 250V						●			●		●		
	30A - 250V										●			
Remote control box	10m		(●)	(●)	(●)	(●)	(●)	(●)	(●)	(●)	(●)	(●)		(●)
	20m						(●)	(●)	(●)	(●)	(●)	(●)	(●)	(●)
	30m		(●)	(●)	(●)	(●)	(●)	(●)	(●)	(●)	(●)	(●)	(●)	(●)

Specifications		Model	EU65is1											
		Type	CL	CLT	F	FT	G	GT	GW	GWT	IT	ITT	K	KT
Frequency	50Hz		●	●	●	●	●	●	●	●	●	●	●	●
	60Hz													
Voltage	120V / 240V													
	220V											●	●	
	230V		●	●	●	●	●	●	●	●	●			
	240V													
Consent plug	15A / 125V													
	20A / 250V											●	●	
	30A - 250V													
Remote control box	10m		(●)	(●)	(●)	(●)	(●)	(●)	(●)	(●)	(●)	(●)	(●)	
	20m											(●)	(●)	
	30m			(●)		(●)		(●)		(●)		(●)	(●)	

Specifications		Model	EU65is1											
		Type	L	L9T	LT	LTT	R	RH	RHT	RT	S	SK	SKT	ST
Frequency	50Hz						●	●	●	●				
	60Hz	●	●	●	●						●	●	●	●
Voltage	120V / 240V	●	●	●	●									
	220V					●			●	●	●	●	●	
	230V						●	●						
	240V													
Consent plug	15A / 125V	●	●	●	●									
	20A / 250V						●	●	●	●			●	
	30A - 250V													
Remote control box	10m	(●)	(●)	(●)	(●)	(●)	(●)	(●)	(●)	(●)				
	20m	(●)	(●)	(●)	(●)	(●)	(●)	(●)	(●)	(●)	(●)	(●)	(●)	
	30m	(●)	(●)	(●)	(●)	(●)	(●)	(●)	(●)	(●)	(●)	(●)		

1

Specifications		Model	EU65is1		EU65isN1
		Type	U	UT	RDT
Frequency	50Hz		●	●	●
	60Hz				
Voltage	120V / 240V				
	220V				
	230V				●
	240V		●	●	
Consent plug	15A / 125V				
	20A / 250V				
	30A - 250V				●
Remote control box	10m		(●)	(●)	(●)
	20m		(●)	(●)	(●)
	30m		(●)	(●)	(●)

Fuel hose, general purpose hoses and vinyl hose

- The standard part fuel hose, general purpose hose and vinyl hose may be substituted by the coiled bulk part.
- When ordering the standard part fuel hose, general purpose hose and vinyl hose use the bulk part number written in the parts catalog in brackets () underneath the part name.
- When exchanging the hose, cut and use at the specified length as mentioned in the part name.
(For the method of cutting the bulk part, and method of filling out orders etc., please refer to the instructions issued with the bulk part.)

Bulk part number of fuel hose, general purpose hose and vinyl hose.

Example: 9 5 0 0 1 - 7 5 0 0 1 - 5 0 M

Bulk part number:
Refers to the bulk part.

Marking code (fuel hose and general purpose hose)

Change code (Vinyl hose)

Indicates number mark or change sequence, however, the code for the bulk part must be strictly 0 (zero).

Types of code:

- | | | | | | |
|-------------|--|----------------|--|--------------|---|
| • Fuel hose | 2: Red outside braid
(3 mm inside dia. only) | • General hose | 1: Ash gray
2: Ash gray
3: Black
5: Black | • Vinyl hose | 1: Clear
2: Black
3: Light red
6: Light red
7: Pale black |
| | 5: Black inside braid | | | | |
| | 3: Red (3 mm inside dia. only) | | | | |
| | 4: Ash gray with red stripe
(3 mm inside dia. only) | | | | |
| | 6: Black | | | | |

Lengths:

- 001: 1 m (standard)
003: 3 m
008: 8 m } Application or specification of some parts is not settled.

I.D code: (fuel hose and general purpose hose)

- | | | | | |
|------------|--------------------|--------------------|-----------------------------|-----------------------------|
| 30: 3.0 mm | 50: 5.0 mm | 70: 7.0 mm | 11: 11 mm | 12: 12 (outside dia. 17) mm |
| 35: 3.5 mm | 55: 5.3 mm, 5.5 mm | 75: 7.3 mm, 7.5 mm | 91: 12 (outside dia. 15) mm | 14: 14 mm |
| 45: 4.5 mm | 65: 6.5 mm | 80: 8.0 mm | 92: 12 (outside dia. 16) mm | 17: 17 mm |

ID./OD. code: (vinyl hose)

- | | | | | |
|-------------------------|--------------------------|---------------------------|---------------------------|---------------------------|
| 01: ID. 2.9, OD. 6.8 mm | 12: ID. 5.0, OD. 7.0 mm | 21: ID. 8.0, OD. 9.0 mm | 37: ID. 11.0, OD. 15.0 mm | 50: ID. 16.0, OD. 19.0 mm |
| 03: ID. 3.0, OD. 6.0 mm | 10: ID. 5.0, OD. 8.0 mm | 23: ID. 8.0, OD. 12.0 mm | 38: ID. 12.0, OD. 13.0 mm | 55: ID. 17.5, OD. 20.5 mm |
| 05: ID. 3.5, OD. 6.5 mm | 11: ID. 5.0, OD. 9.0 mm | 25: ID. 9.0, OD. 11.0 mm | 39: ID. 12.0, OD. 14.0 mm | 60: ID. 22.0, OD. 27.0 mm |
| 07: ID. 4.0, OD. 7.0 mm | 14: ID. 6.0, OD. 9.0 mm | 27: ID. 9.0, OD. 13.0 mm | 40: ID. 12.0, OD. 16.0 mm | |
| 08: ID. 4.5, OD. 6.5 mm | 17: ID. 7.0, OD. 9.0 mm | 33: ID. 10.0, OD. 14.0 mm | 43: ID. 13.0, OD. 15.0 mm | |
| 09: ID. 4.5, OD. 8.0 mm | 19: ID. 7.0, OD. 11.0 mm | 36: ID. 11.0, OD. 13.0 mm | 45: ID. 14.0, OD. 18.0 mm | |

Hose type:

- 1: Fuel hose
3: Vinyl hose
5: General hose

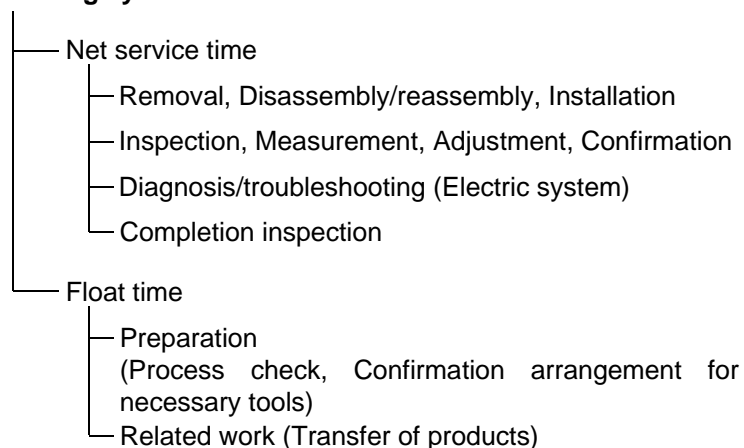
⊙ **CAUTION: It is DANGEROUS to confuse the fuel hose with the general purpose hose or vinyl hose.**

Never use a general purpose hose or vinyl hose in place of a fuel hose or vice versa. Always use the correct bulk part in the parts catalogue, according to the service manual or the instructions issued with the bulk part.

FLAT RATE SERVICE TIME

Flat rate service time (FRT) means the standard time required to service a product, which is listed in this manual to help the dealers control the actual working process and calculate the service charge by using it as a guide.

FRT setting system



* Float time is set by multiplying the net service time by a given coefficient.

Editorial style

The service items shown in the text are listed with the exchange work time for the repair sales parts as the subject. Other representative service items not using repair parts (removal/installation, adjustment, inspection/measuring, and other work) are listed collectively in the list in the preface, classified according to the work.

FRT setting standard

- Decimal system (in unit of 0.1) is adopted to set FRT as it is convenient to calculate the wage.
Example: (0.1) → 6 minutes, (0.2) → 12 minutes
[Labor cost per hour] x [FRT] = [Wage]
- FRT is set with a hand tool.
- Service items and FRT can be subject to change depending on development of tools and service equipment and improvement in service procedure.

Work procedure

- As the work procedure is set with the work time according to the method in the separate Service Manual, refer to this Manual as required.
- Work methods permitting servicing in the shortest time still permitting assurance of safe work and product warranty are used for the setting of service items not listed in the Service Manual.
- Work basically is to be performed by one person, and when two or more people are required, setting is done as the total time for the number of people.
- The set value for the technological level of the workers uses a person with three years of experience in the repair of Honda products as the standard.
- Special tools and service equipment used to set FRT are those specified or recommended in Service Manual.

Service item whose FRT is not presented

- Accessories and service parts that are not listed to use in this manual.
 - Locations with little aging deterioration or breakage during normal use.
 - Service work that can be finished by one touch.
 - Service work that is seldom done (i.e. extremely small causes of trouble and service frequency).
 - Products and parts whose location for installation differs according to its status of use and application.
- * When FRT is not presented, please calculate wages based on appropriate actual work time.

Operation not included of FRT

- Oil and coolant water draining, Waiting time for warming up operation and etc..
- Additional operation that involves removal/installation of standard exterior equipment.
- Indirect time spent for service by visiting the customer, trade-in, and delivery.
- Indirect time required for ordering and delivery of parts.
- Cost for grease, adhesive agent, etc. used for service work.

1

Explanation of FRT by using an example
(The example may differ from the actual presented items)

Ref. No.	L.O.N.	(Relative ref. Number) Description	F.R.T.
①	1111L1	④ VALVE, INTAKE4.1	②
②		⑧ • NOTE: OHV type	⑦
③	1111L1A	⑤ • Includes: Engine removal and installation One head (intake all) add1.4	

- ① Reference No. of the illustration of part that shows location of the replacement work.
- ② FRT is an abbreviation of Flat Rate Time indicating the standard service time required for the replacement.
- ③ LON is an abbreviation of Labor Operation Number, and it is a classification of the service items by the work unit code.

The same operation code is used regardless of the models.

Standard operation is indicated with 6 digits code, and additional operation is indicated with 7 digits code.

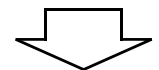
- ④ Indicating the intake valve replacement and FRT4.1.
- ⑤ Indicating FRT1.4 that will be added when additional operation (whole intake side of one cylinder head) is done in association with intake valve replacement.

- ⑥ Indicating work condition or application condition of the service item.
- ⑦ Indicating work contents that are included in the service item.
- ⑧ Indicating a reference No. whose operation and time are the same as FRT4.1 for the intake valve.

(The application range is limited to the service items without an LON setting within a same block.)

How to refer to the service item by using the sample
(intake valve replacement)

Open to the page of the block where the intake valve's spare part illustration is shown.



Look for the intake valve illustration, and refer to the service item and FRT that agree with the reference No.

Indication mark for the listing of service items that continues to the following page

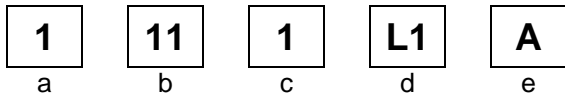
Ref. No.	L.O.N.	(Relative ref. Number) Description	F.R.T.
2	1111L1	VALVE, INTAKE	4.1
	.	.	.
	.	.	.

+
Mark indicated at the last line.

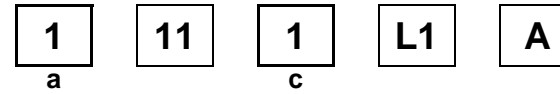
Indication of the block with no setting of FRT

Ref. No.	L.O.N.	(Relative ref. Number) Description	F.R.T.
NO INFORMATION			

• LON code system



- a) Category code..... Engine
- b) Location/function code Engine upper
- c) Operation code..... Replace
- d) Operation sequence number (Unit code can be shown with alphabet)
..... Intake valve
(No regular rule of code)
- e) Additional code One head (intake all)
(No regular rule of code)



a) Category codes and classification

Code	Category
1	Engine
2	Power drive
3	Fuel & Exhaust
4	Frame & Body
5	Steering
6	Electrical
7	Axle & Brake
8	Control system
9	-
0	Attachments

c) Operation codes and classification

Code	Operation category
1	Replace, Removal/Installation, Change
2	Overhaul
3	Adjust, Rotation
4	(Paint-related work: Top-coat)
5	Test, Inspect/diagnose, Measurement
6	(Overhaul-related work: Rebore)
7	(Overhaul-related work: Reseal)
8	(Resurface)
9	(Paint-related work: Refinish)
0	Repair, Cleaning, Air bleeding

Major service items without using spare parts

- (1) Removal/Installation, (2) Adjustment,
(3) Inspection/Measurement, (4) Overhaul, (5) Other work

E: Engine, T: Transmission, D: Drive system,
B: Body and related parts

(1) Removal/Installation

Set with the parts configuration in the status of being removed from the product.

	LON	DESCRIPTION	FRT
E	1001A0	ENGINE AND GENERATOR-REMOVAL/INSTALLATION	1.6
	1111L3	CYLINDER HEAD ASSEMBLY-REMOVAL/INSTALLATION	1.7
	3111E4	CARBURETOR-REMOVAL/INSTALLATION	0.4
B	3101H1	FUEL TANK-REMOVAL/INSTALLATION	0.2
	6221E2	INVERTER UNIT-REMOVAL/INSTALLATION	0.3
	6221B3	CONTROL PANEL ASSEMBLY-REMOVAL/INSTALLATION	0.6

(2) Adjustment

	LON	DESCRIPTION	FRT
E	1113A1	VALVE CLEARANCE-ADJUSTMENT NOTE: For 1 product	0.4
	3113A2	CARBURETOR IDLE-ADJUSTMENT	0.2

(3) Inspection, Measurement, Cleaning

	LON	DESCRIPTION	FRT
E	1105A0	ENGINE OIL-INSPECTION	0.1
	3115A2	CARBURETOR FLOAT LEVEL-MEASUREMENT	0.5
	3120A0	AIR CLEANER-CLEANING INCLUDES: Air cleaner-inspection	0.2

E	3130A0	SPARK ARRESTER-CLEANING INCLUDES: Spark arrester-inspection	0.2
	6140A0	SPARK PLUG-ADJUSTMENT/CLEANING INCLUDES: Spark plug check NOTE: For 1 product	0.2
B	6225A2	INVERTER UNIT-DIAGNOSE	0.2

(4) Overhaul

Work condition: The required Measurements, inspections, adjustments, and cleaning/washing of each part are performed, including the main body removal/installation work and the replacement of defective parts.

	LON	DESCRIPTION	FRT
E	3112A0	CARBURETOR-OVERHAUL INCLUDES: All necessary adjustment	0.7

(5) Other work

	LON	DESCRIPTION	FRT
E	1101E1	ENGINE OIL-CHANGE INCLUDES: Engine oil-inspection	0.1

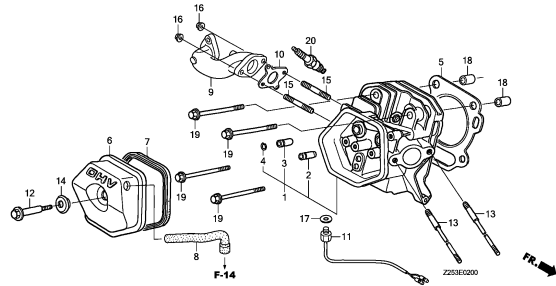
ENGINE GROUP

C 3

E-2

CYLINDER HEAD

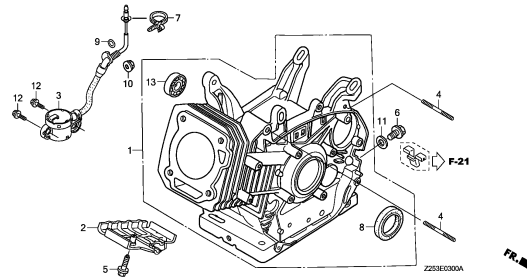
D 1



E-3

CYLINDER BARREL

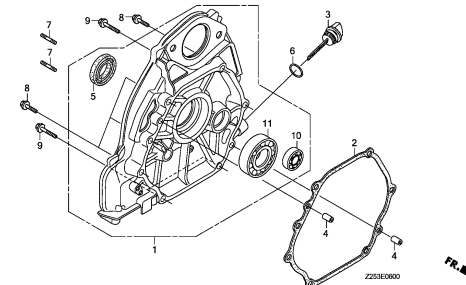
D 3



E-6

CRANKCASE COVER

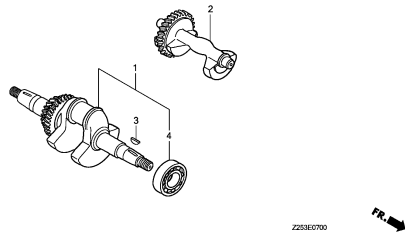
D 4



E-7

CRANKSHAFT

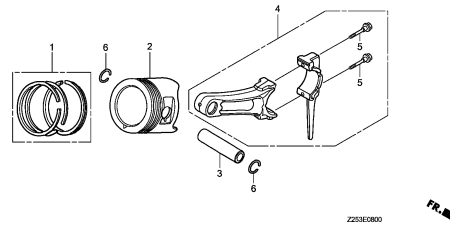
D 5



E-8

PISTON/CONNECTING ROD

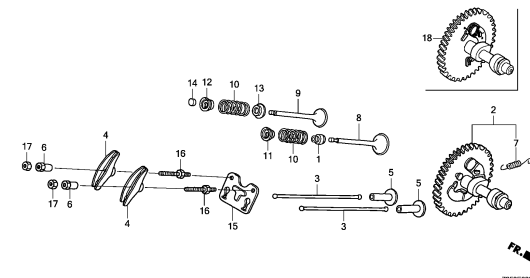
D 6



E-9

CAMSHAFT

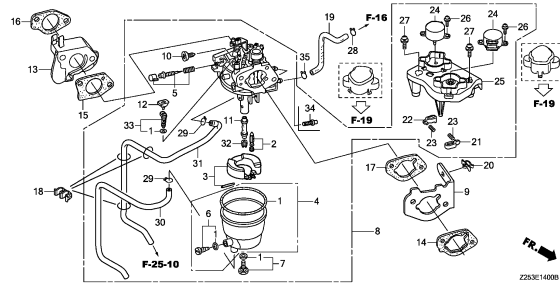
D 8



E-14

CARBURETOR

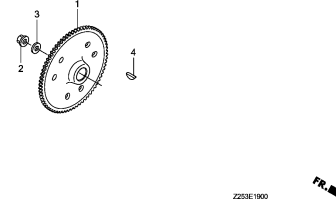
D11



E-19

FLYWHEEL

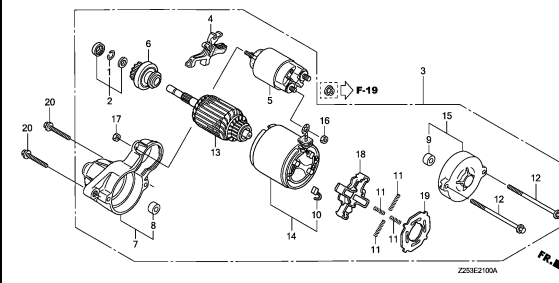
D13



E-21

STARTER MOTOR

D14



2

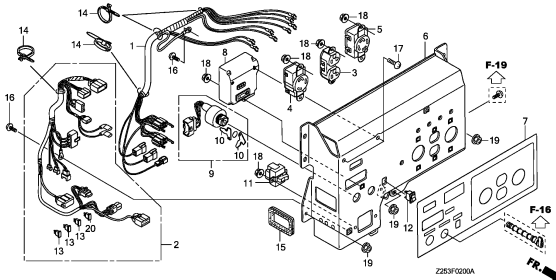
FRAME GROUP

C 4

F-2

CONTROL PANEL(L,L9T,LT,LTT)

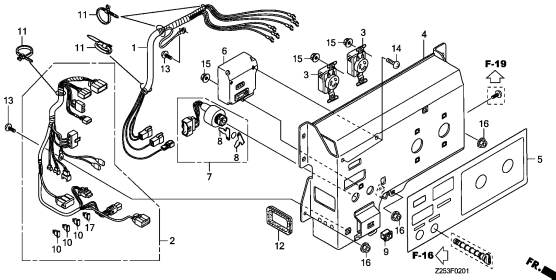
E 1



F-2-1

CONTROL PANEL
(K,KT,R,RH,RHT,RT,S,ST)

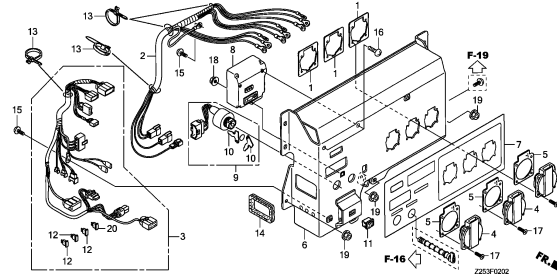
E 3



F-2-2

CONTROL PANEL(SK,SKT)

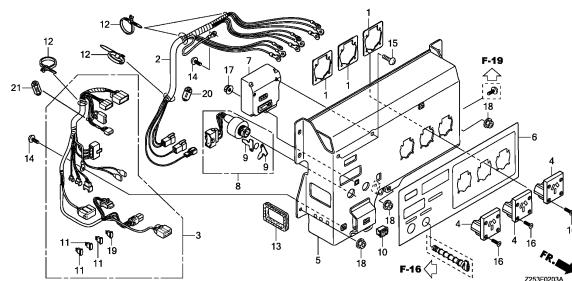
E 5



F-2-3

CONTROL PANEL(U,UT)

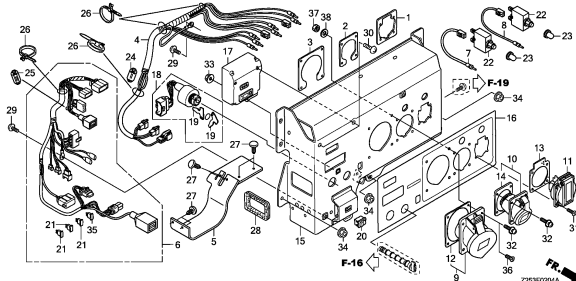
E 6



F-2-4

CONTROL PANEL(F,FT)

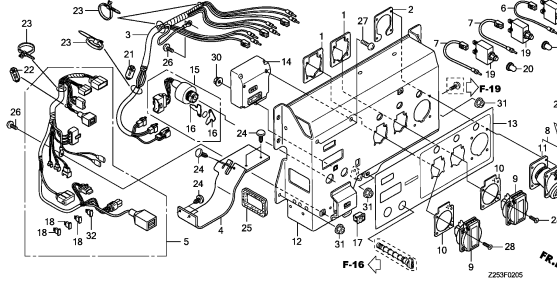
E 8



F-2-5

CONTROL PANEL(CL,CLT,G,GT,GW,GWT)

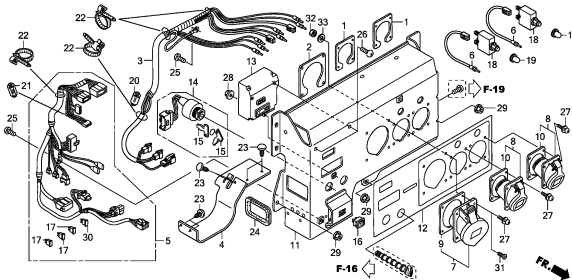
E10



F-2-6

CONTROL PANEL(IT,ITT)

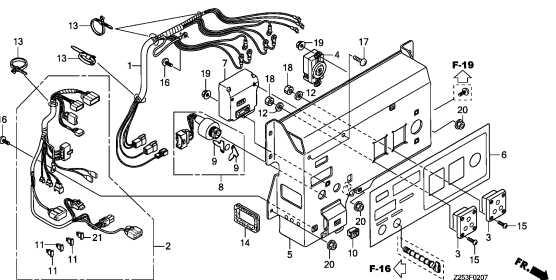
E12



F-2-7

CONTROL PANEL(RD,RDT)

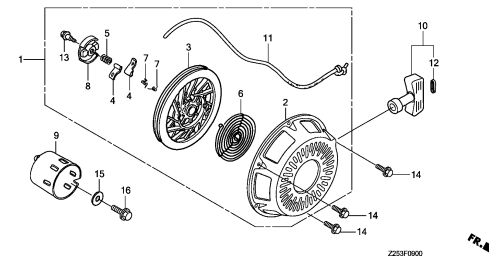
E14



F-9

RECOIL STARTER

E16



3

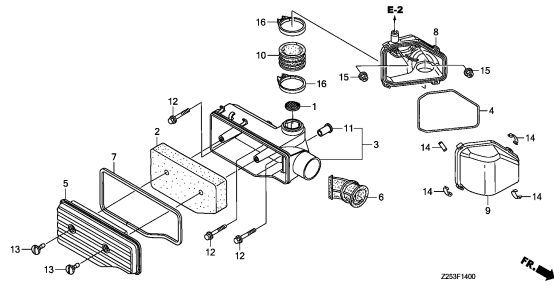
FRAME GROUP

C 5

F-14

AIR CLEANER

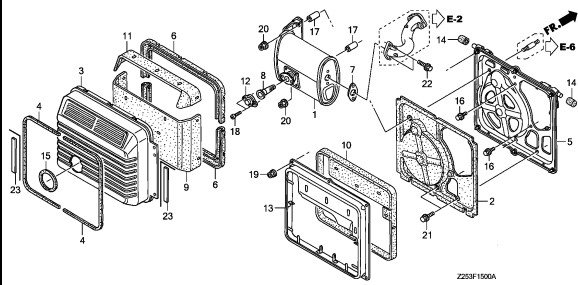
F 1



F-15

MUFFLER

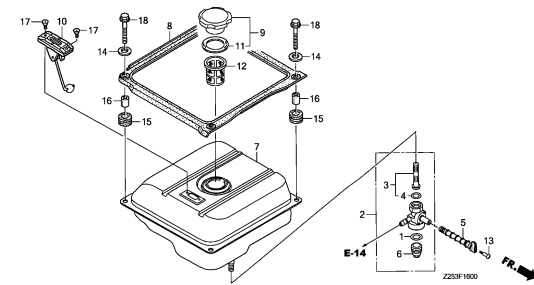
F 2



F-16

FUEL TANK

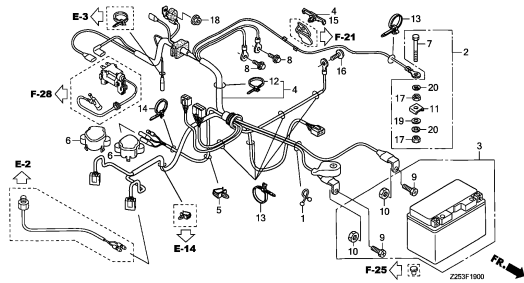
F 4



F-19

ENGINE WIRE HARNESS

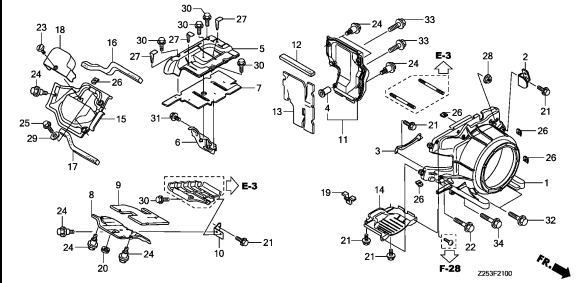
F 5



F-21

SHROUD/FAN COVER

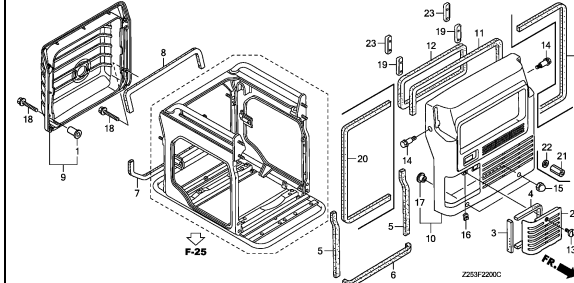
F 6



F-22

FRONT COVER/REAR COVER

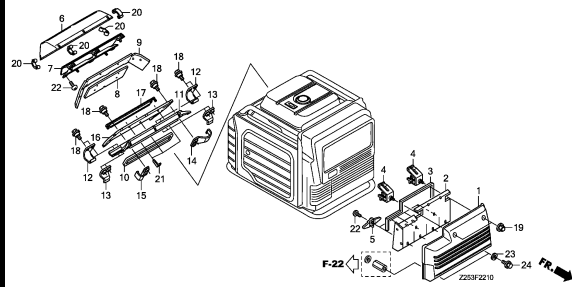
F 8



F-22-10

AIR DUCT

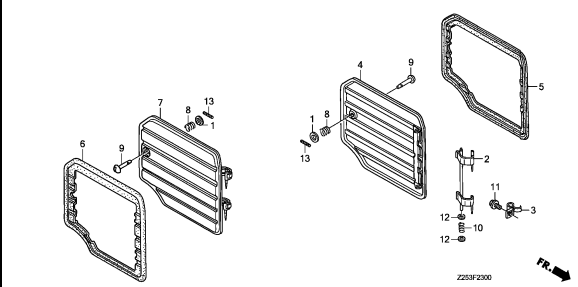
F10



F-23

MAINTENANCE COVER

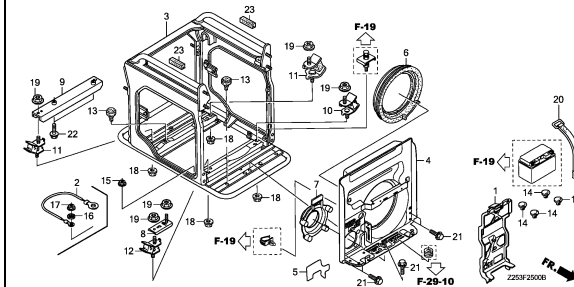
F12



F-25

FRAME

F13



3

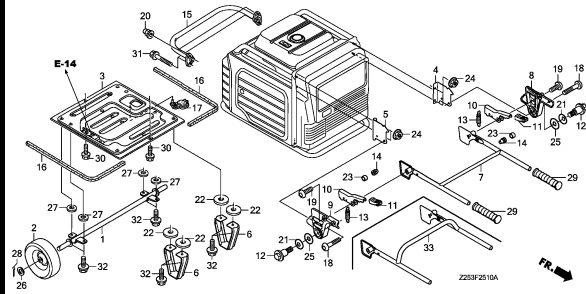
FRAME GROUP

C 6

F-25-10

HANDLE/WHEEL

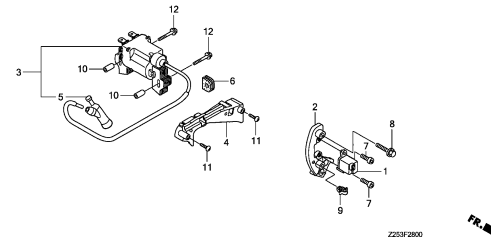
F15



F-28

IGNITION COIL

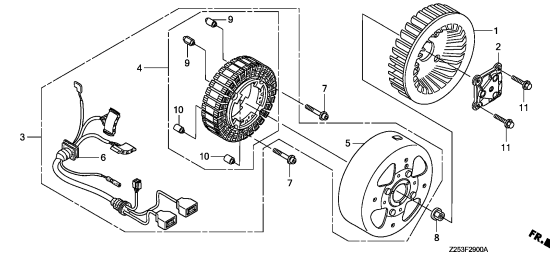
G 1



F-29

GENERATOR ASSY./COOLING FAN

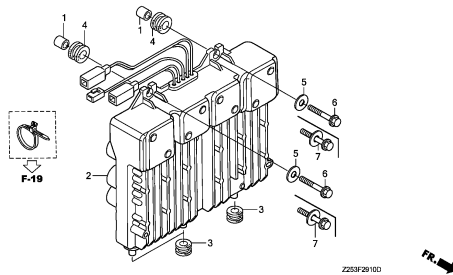
G 2



F-29-10

INVERTER

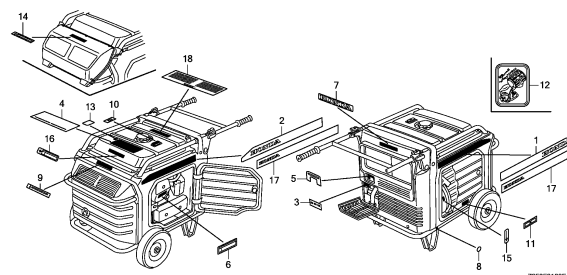
G 3



F-31

LABEL

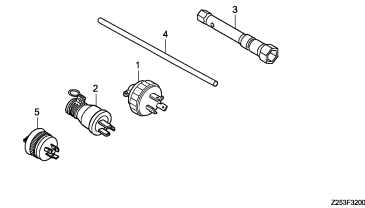
G 4



F-32

TOOL/CONSENT PLUG

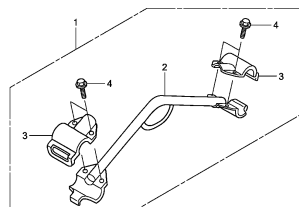
G 6



FOP-1

HANGER KIT

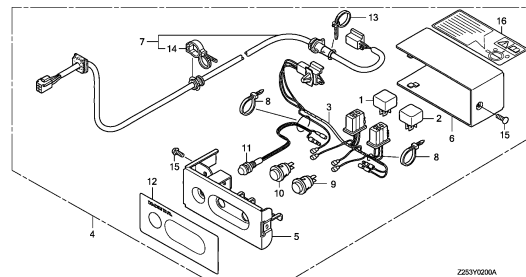
G 7



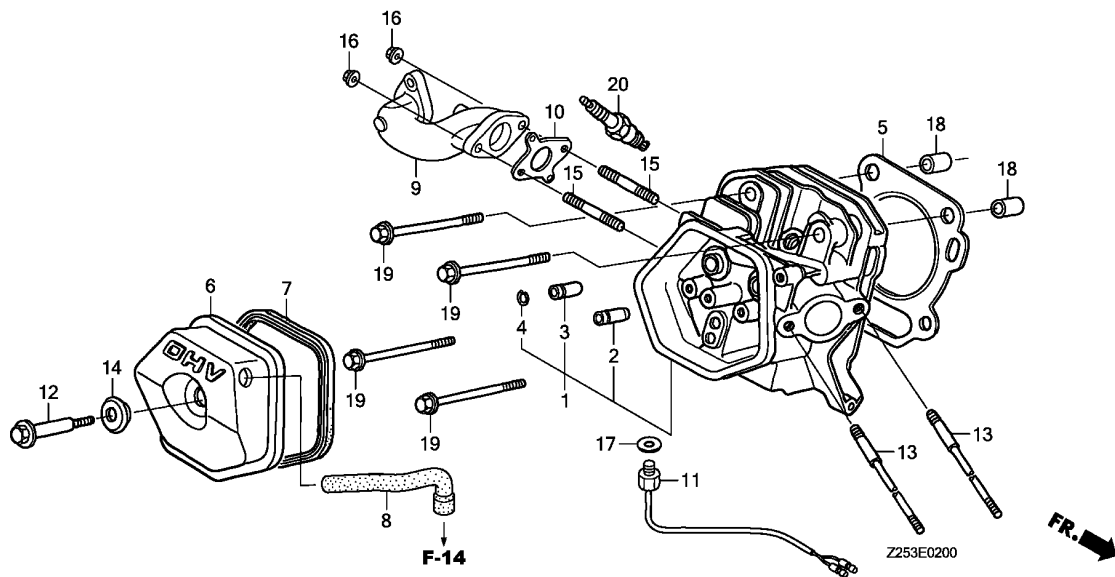
FOP-2

REMOTE CONTROL BOX

G 8



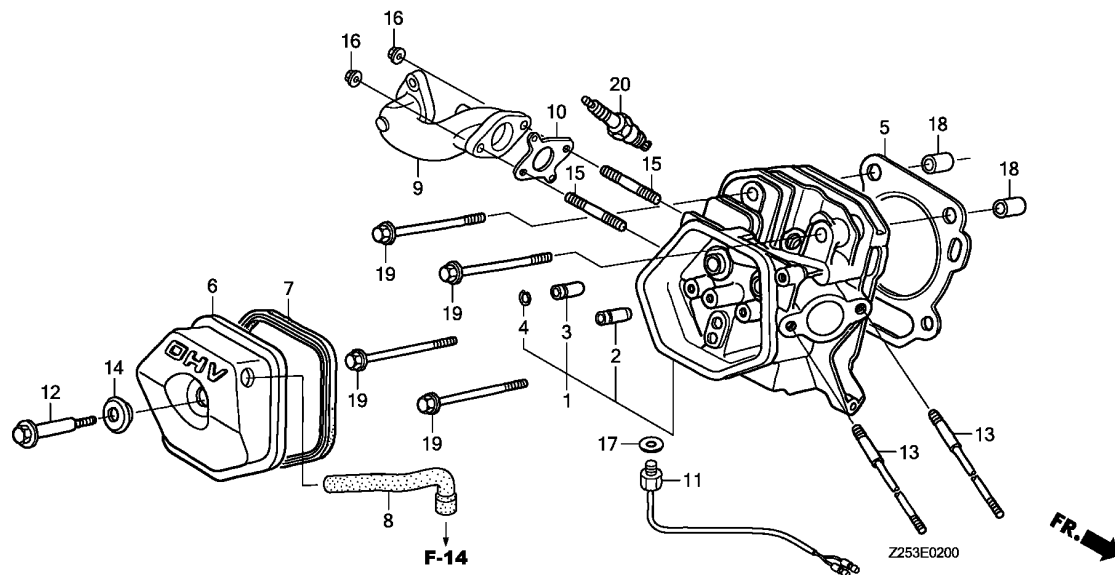
3



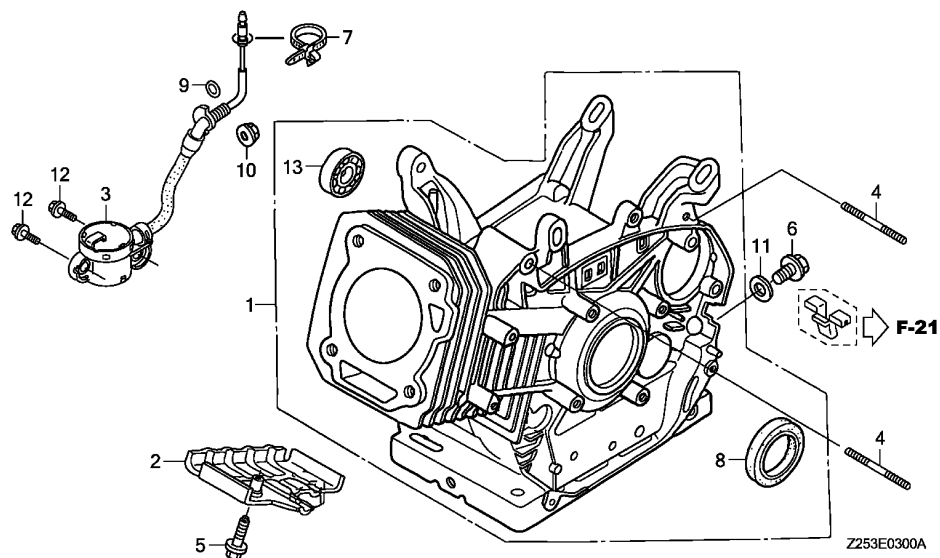
Ref. No.	L.O.N.	(Relative ref. Number) Description	F.R.T.
1	1111N3	HEAD, CYLINDERINCLUDES: Valve clearance adjustment and reface	2.1
2	1111E9	GUIDE, INTAKE VALVEINCLUDES: Valve clearance adjustment	2.2
	1111E9E	.Replace intake and exhaust all add	0.4
3	1111E8	GUIDE, EXHAUST VALVEINCLUDES: Valve clearance adjustment	2.2
	1111E8E	.Replace intake and exhaust all add	0.4
5	1111N4	GASKET, CYLINDER HEAD	1.7
6	1111D5	CYLINDER HEAD COVER AND/OR PACKING	0.1
8	1111K5	TUBE, BREATHER	0.1
9	3131C9	PIPE, EXHAUST	0.3
10	3131B5	GASKET, EXHAUST PIPE	0.3
11	6171C1	SENSOR, TEMPERATURE	0.4
20	6141C1	PLUG, SPARK	0.1
		.INCLUDES: Spark plug check	

Ref. No.	Part No.	Description	Reqd. QTY			Serial No.	Parts catalogue code
			EU 65 is	EU 65 is1	EU 65 isN1		
1	12200-ZF6-406	HEAD COMP., CYLINDER	1	-	-		
	12210-Z5T-416	-	1	1	-----	CLT,FT,GT,GWT,ITT,KT,L9T,LTT,RDT,RHT,RT,SKT,ST,UT
	12210-Z5T-406	-	1	-	-----	CL,F,G,GW,IT,K,L,LT,R,RH,S,SK,U
2	12204-ZE2-306	GUIDE, IN. VALVE(O.S.)	1	1	1		
3	12205-ZE2-305	GUIDE, EX. VALVE(O.S.)	1	1	1		
4	12216-ZE2-300	CLIP, VALVE GUIDE	1	1	1		
5	12251-ZF6-W00	GASKET, CYLINDER HEAD	1	-	-		
	12251-Z5T-003	GASKET, CYLINDER HEAD (NIPPON LEAKLESS)	-	1	1		
6	12310-ZE2-020	COVER COMP., HEAD	1	1	1		
7	12391-ZE2-020	PACKING, HEAD COVER	1	1	1		
8	15721-ZK6-E40	TUBE, BREATHER	1	1	1		
9	18331-ZK6-E40	PIPE, EX.	1	1	1		
10	18333-ZF6-W01	GASKET, EX. PIPE	1	1	1		
11	35673-ZF6-F42	SENSOR ASSY., TEMPERATURE ...	1	-	1	-----	F,G,GW,IT,RD,RDT,RH
	35673-ZF6-F41	1	-	-	4209729	K,L,LT,R,SK,U
	35673-ZF6-F42	1	-	-	4209730	K,L,LT,R,SK,U
			-	1	-		
12	90014-ZE2-000	BOLT, HEAD COVER	1	1	-	-----	CL,F,G,GW,IT,K,L,LT,R,RD,RH,S,SK,U
	90014-Z5T-000	-	1	1	-----	CLT,FT,GT,GWT,ITT,KT,L9T,LTT,RDT,RHT,RT,SKT,ST,UT
13	90042-ZK6-E40	BOLT, STUD, 8X126.5	2	2	2		
14	90441-ZE2-010	WASHER COMP., HEAD COVER	1	1	1		
15	92900-08032-0E	BOLT, STUD, 8X32	2	2	2		
16	94050-08000	NUT, FLANGE, 8MM	2	2	2		
17	94102-08800	WASHER, PLAIN, 8MM	1	1	1		
18	94301-12200	DOWEL PIN, 12X20	2	2	2		





Ref. No.	Part No.	Description	Reqd. QTY			Serial No.	Parts catalogue code
			EU 65 is	EU 65 is1	EU 65 isN1		
19	95701-10080-00	BOLT, FLANGE, 10X80	4	-	4	-----	F,G,GW,IT,RD,RDT,RH
	95725-10080-00	4	-	-	4216268	K,L,LT,R,SK,U
	95701-10080-00	4	-	-	4216269	K,L,LT,R,SK,U
			-	4	-		
20	98079-55846	PLUG, SPARK (BPR5ES) (NGK)	1	-	-		
	98079-55855	PLUG, SPARK (W16EPR-U) (DENSO)	1	-	-		
	98079-56855	PLUG, SPARK (W20EPR-U) (DENSO)	-	1	1		
	98079-56876	PLUG, SPARK (BPR6ES) (NGK)	-	1	1	-----	CLT,FT,GT,GWT,ITT,KT,L9T,LTT,RDT,RHT,RT,SKT,ST,UT
	98079-56846	-	1	-	-----	CL,F,G,GW,IT,K,L,LT,R,RH,S,SK,U



Ref. No.	L.O.N.	(Relative ref. Number) Description	F.R.T.
1	1101A0	BARREL, CYLINDERINCLUDES: Engine removal and installation	3.5
2	4141E3	SHROUD, ENGINE (9)	0.3
3	6151E8	SWITCH, OIL LEVELINCLUDES: Engine removal and installation	3.3
8	1101E4	OIL SEAL, CRANKSHAFT :FRONT .. .INCLUDES: Engine removal and installation	3.5
13	1101F4	BEARING, BALANCER WEIGHT :FRONTINCLUDES: Engine removal and installation	3.6

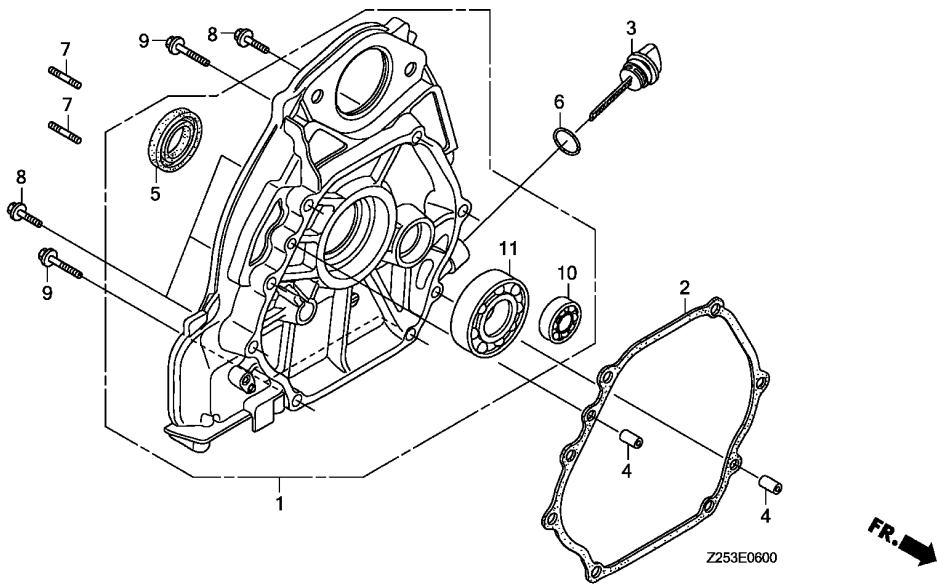
Ref. No.	Part No.	Description	Reqd. QTY			Serial No.	Parts catalogue code
			EU 65 is	EU 65 is1	EU 65 isN1		
1	12000-ZF6-Q00	BARREL ASSY., CYLINDER	1	-	-		
	12000-ZF6-Q20	-	1	1		
2	19645-Z11-000	SHROUD COMP., ENGINE	1	1	1		
3	35480-ZF6-003	SWITCH ASSY., OIL LEVEL	1	1	1		
4	90045-ZG1-750	BOLT, STUD, 6X30	2	2	2		
5	90121-952-000	BOLT, FLANGE, 6X25(CT200) ...	1	1	1		
6	90131-883-000	BOLT, DRAIN PLUG, 12X15	1	1	1		
7	90674-Z11-003	BAND, CABLE	1	-	-	4400208	
	90674-SL0-003	BAND, INSERT WIRE	1	-	-	4400209	
			-	1	1		
8	91201-ZE3-004	OIL SEAL, 35X52X8	1	-	-		
	91201-Z1C-003	-	1	1		
9	91353-671-004	O-RING, 14MM(NOK)	1	1	1		
10	94050-10000	NUT, FLANGE, 10MM	1	1	1		
11	94109-12000	WASHER, DRAIN PLUG, 12MM	1	1	1		
12	95701-06012-00	BOLT, FLANGE, 6X12	2	2	2		
13	96100-62020-00	BEARING, RADIAL BALL, 6202 ..	1	1	1		



E-6

CRANKCASE COVER

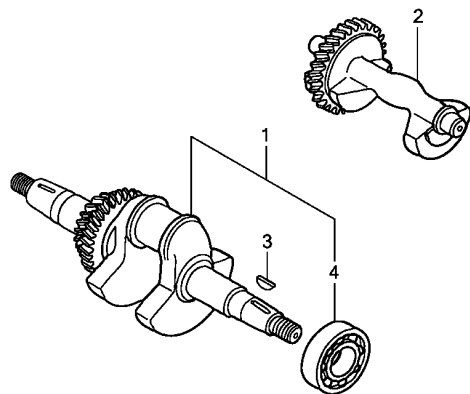
D 4



Ref. No.	L.O.N.	(Relative ref. Number) Description	F.R.T.
1	1101F1	COVER, CRANKCASEINCLUDES: Engine removal and installation	3.2
2	1101E9	PACKING, CRANKCASE COVERINCLUDES: Engine removal and installation	3.2
5	1101E5	OIL SEAL, CRANKSHAFT :REARINCLUDES: Engine removal and installation	3.2
10	1101F5	BEARING, BALANCER WEIGHT :REAR .INCLUDES: Engine removal and installation	3.2
11	1101A6	BEARING, CRANKSHAFT :REARINCLUDES: Engine removal and installation	3.4

Ref. No.	Part No.	Description	Reqd. QTY			Serial No.	Parts catalogue code
			EU 65 is	EU 65 is1	EU 65 isN1		
1	11300-ZF6-415	COVER ASSY., CRANKCASE	1	1	1		
2	11381-ZE3-801	PACKING, CASE COVER	1	-	-		
	11381-Z5T-000	PACKING, CRANKCASE COVER	-	1	1		
3	15620-ZE2-700	CAP, OIL FILLER	1	1	1		
4	90701-HC4-000	DOWEL PIN, 8X12	2	2	2		
5	91201-ZE3-004	OIL SEAL, 35X52X8	1	1	1		
6	91301-805-000	O-RING, 26X2.7	1	1	1		
7	92900-08055-0B	BOLT, STUD, 8X55	2	2	2		
8	95701-08040-00	BOLT, FLANGE, 8X40	4	4	4		
9	95701-08060-00	BOLT, FLANGE, 8X60	3	3	3		
10	96100-62020-00	BEARING, RADIAL BALL, 6202 ..	1	1	1		
11	96100-62070-00	BEARING, RADIAL BALL, 6207 ..	1	1	1		

2

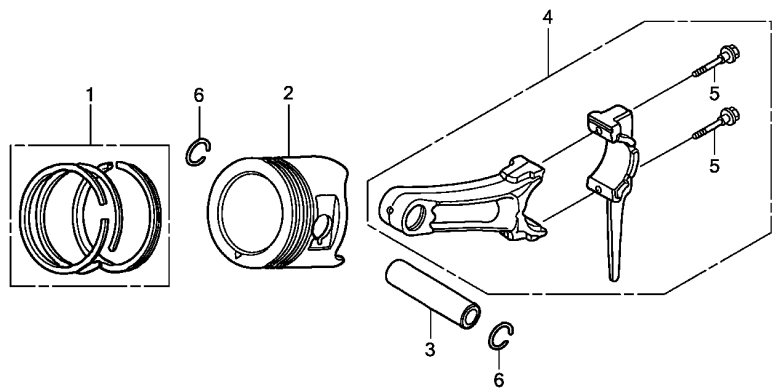


Z253E0700

Ref. No.	L.O.N.	(Relative ref. Number) Description	F.R.T.
1	1101F0	CRANKSHAFTINCLUDES: Engine removal and installation	3.3
2	1101D8	WEIGHT, BALANCERINCLUDES: Engine removal and installation	3.2
4	1101A4	BEARING, CRANKSHAFT :FRONTINCLUDES: Engine removal and installation	3.4

Ref. No.	Part No.	Description	Reqd. QTY			Serial No.	Parts catalogue code
			EU 65 is	EU 65 is1	EU 65 isN1		
1	13310-ZF6-F42	CRANKSHAFT COMP.	1	1	1		
2	13351-ZE3-010	WEIGHT, BALANCER	1	1	1		
3	90741-ZE2-000	KEY, SPECIAL WOODRUFF, 25X18	1	1	1		
4	91001-ZF6-013	BEARING, RADIAL BALL, 6207SH	1	1	1		



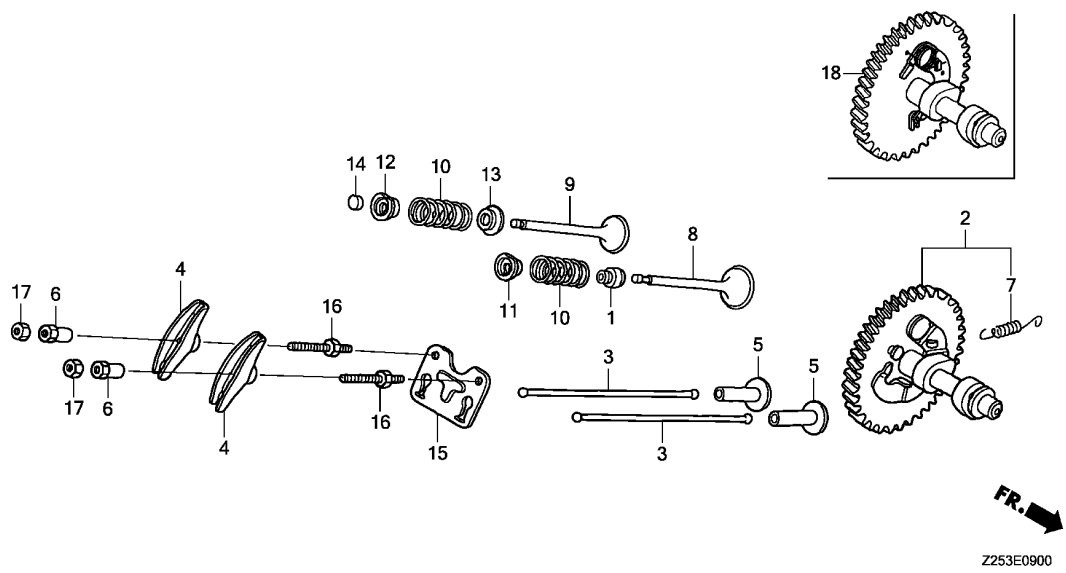


Ref. No.	L.O.N.	(Relative ref. Number) Description	F.R.T.
2	1111R1	(1,3,4) PISTON AND/OR RING SET AND/OR BEARING AND/OR ROD INCLUDES: Engine removal and installation	3.5

Ref. No.	Part No.	Description	Reqd. QTY			Serial No.	Parts catalogue code
			EU 65 is	EU 65 is1	EU 65 isN1		
1	13010-Z5R-004	RING SET, PISTON(STD.) (TEIKOKU)	1	-	1	-----	RD,RDT,RH
	13011-Z5R-004	RING SET, PISTON(0.25) (TEIKOKU)	(1)	-	(1)	-----	RD,RDT,RH
	13012-Z5R-004	RING SET, PISTON(0.50) (TEIKOKU)	(1)	-	(1)	-----	RD,RDT,RH
	13013-Z5R-004	RING SET, PISTON(0.75) (TEIKOKU)	(1)	-	(1)	-----	RD,RDT,RH
	13010-ZF6-003	RING SET, PISTON(STD.) (NIPPON)	1	-	-	-----	4278969 F,G,GW,IT,K,L,LT,R,SK,U
	13010-ZF6-005	RING SET, PISTON(STD.) (TEIKOKU)	1	-	-	-----	4278969 F,G,GW,IT,K,L,LT,R,SK,U
	13011-ZF6-003	RING SET, PISTON(0.25) (NIPPON)	(1)	-	-	-----	4278969 F,G,GW,IT,K,L,LT,R,SK,U
	13011-ZF6-005	RING SET, PISTON(0.25) (TEIKOKU)	(1)	-	-	-----	4278969 F,G,GW,IT,K,L,LT,R,SK,U
	13012-ZF6-003	RING SET, PISTON(0.50) (NIPPON)	(1)	-	-	-----	4278969 F,G,GW,IT,K,L,LT,R,SK,U
	13012-ZF6-005	RING SET, PISTON(0.50) (TEIKOKU)	(1)	-	-	-----	4278969 F,G,GW,IT,K,L,LT,R,SK,U
	13013-ZF6-003	RING SET, PISTON(0.75) (NIPPON)	(1)	-	-	-----	4278969 F,G,GW,IT,K,L,LT,R,SK,U
	13013-ZF6-005	RING SET, PISTON(0.75) (TEIKOKU)	(1)	-	-	-----	4278969 F,G,GW,IT,K,L,LT,R,SK,U
	13010-Z5R-004	RING SET, PISTON(STD.) (TEIKOKU)	1	-	-	4278970	----- F,G,GW,IT,K,L,LT,R,SK,U
	13011-Z5R-004	RING SET, PISTON(0.25) (TEIKOKU)	(1)	-	-	4278970	----- F,G,GW,IT,K,L,LT,R,SK,U
	13012-Z5R-004	RING SET, PISTON(0.50) (TEIKOKU)	(1)	-	-	4278970	----- F,G,GW,IT,K,L,LT,R,SK,U
	13013-Z5R-004	RING SET, PISTON(0.75) (TEIKOKU)	(1)	-	-	4278970	----- F,G,GW,IT,K,L,LT,R,SK,U
	13010-Z5T-003	RING SET, PISTON(STD.) (RIKEN)	-	1	1		

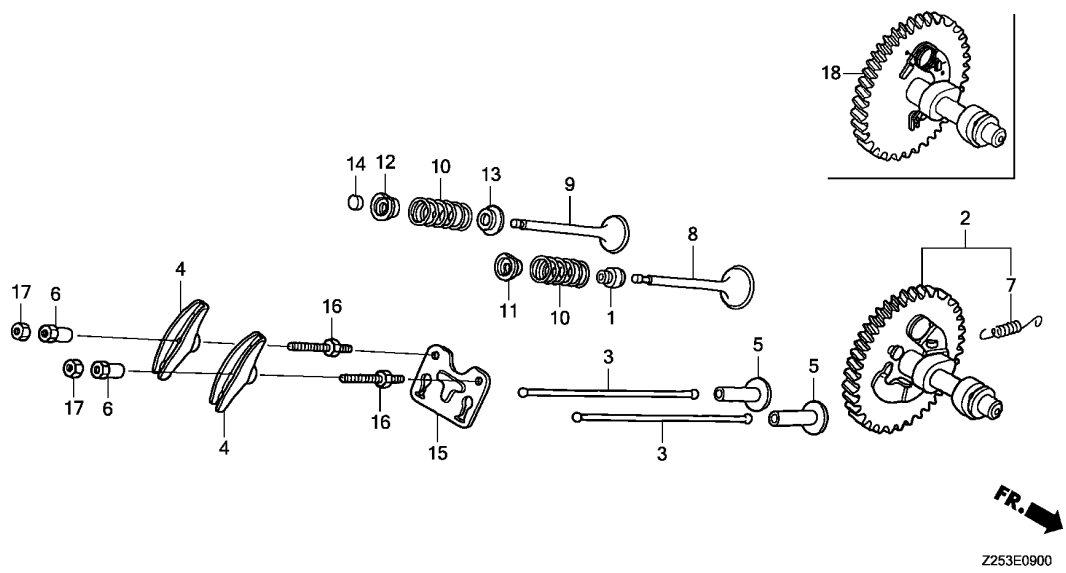
Ref. No.	Part No.	Description	Reqd. QTY			Serial No.	Parts catalogue code
			EU 65 is	EU 65 is1	EU 65 isN1		
(1)	13011-Z5T-003	RING SET, PISTON(0.25) (RIKEN)	-	(1)	(1)		
	13012-Z5T-003	RING SET, PISTON(0.50) (RIKEN)	-	(1)	(1)		
	13013-Z5T-003	RING SET, PISTON(0.75) (RIKEN)	-	(1)	(1)		
	13010-Z5R-004	RING SET, PISTON(STD.) (TEIKOKU)	-	1	-		
	13011-Z5R-004	RING SET, PISTON(0.25) (TEIKOKU)	-	(1)	-		
	13012-Z5R-004	RING SET, PISTON(0.50) (TEIKOKU)	-	(1)	-		
	13013-Z5R-004	RING SET, PISTON(0.75) (TEIKOKU)	-	(1)	-		
2	13101-ZF6-W01	PISTON(STD.)	1	-	-		RD,RH
	13102-ZF6-W01	PISTON(0.25)	(1)	-	-		RD,RH
	13103-ZF6-W01	PISTON(0.50)	(1)	-	-		RD,RH
	13104-ZF6-W01	PISTON(0.75)	(1)	-	-		RD,RH
	13101-ZF6-W00	PISTON(STD.)	1	-	-	4278969	F,G,GW,IT,K,L,LT,R,SK,U
	13102-ZF6-W00	PISTON(0.25)	(1)	-	-	4278969	F,G,GW,IT,K,L,LT,R,SK,U
	13103-ZF6-W00	PISTON(0.50)	(1)	-	-	4278969	F,G,GW,IT,K,L,LT,R,SK,U
	13104-ZF6-W00	PISTON(0.75)	(1)	-	-	4278969	F,G,GW,IT,K,L,LT,R,SK,U
	13101-ZF6-W01	PISTON(STD.)	1	-	-	4278970	F,G,GW,IT,K,L,LT,R,SK,U
	13102-ZF6-W01	PISTON(0.25)	(1)	-	-	4278970	F,G,GW,IT,K,L,LT,R,SK,U
	13103-ZF6-W01	PISTON(0.50)	(1)	-	-	4278970	F,G,GW,IT,K,L,LT,R,SK,U
	13104-ZF6-W01	PISTON(0.75)	(1)	-	-	4278970	F,G,GW,IT,K,L,LT,R,SK,U
	13101-Z5T-800	PISTON(STD.)	-	1	1		
	13102-Z5T-800	PISTON(0.25)	-	(1)	(1)		
	13103-Z5T-800	PISTON(0.50)	-	(1)	(1)		
	13104-Z5T-800	PISTON(0.75)	-	(1)	(1)		
3	13111-ZF6-W00	PIN, PISTON	1	-	-		
	13111-Z5T-000	-	1	1		
4	13200-ZE3-315	ROD ASSY., CONNECTING (0.25 UNDER SIZE)	(1)	(1)	(1)		
	13200-ZE3-020	ROD ASSY., CONNECTING(STD.)	1	1	-		CL,F,G,GW,IT,K,L,LT,R,RD,RH,S,SK,U
	13200-Z1C-000	-	1	1		CLT,FT,GT,GWT,ITT,KT,L9T,LTT,RDT,RHT,RT,SKT,ST,UT
5	90001-ZE8-000	BOLT, CONNECTING ROD	2	2	2		
6	90601-ZE3-000	CLIP, PISTON PIN, 20MM	2	2	2		





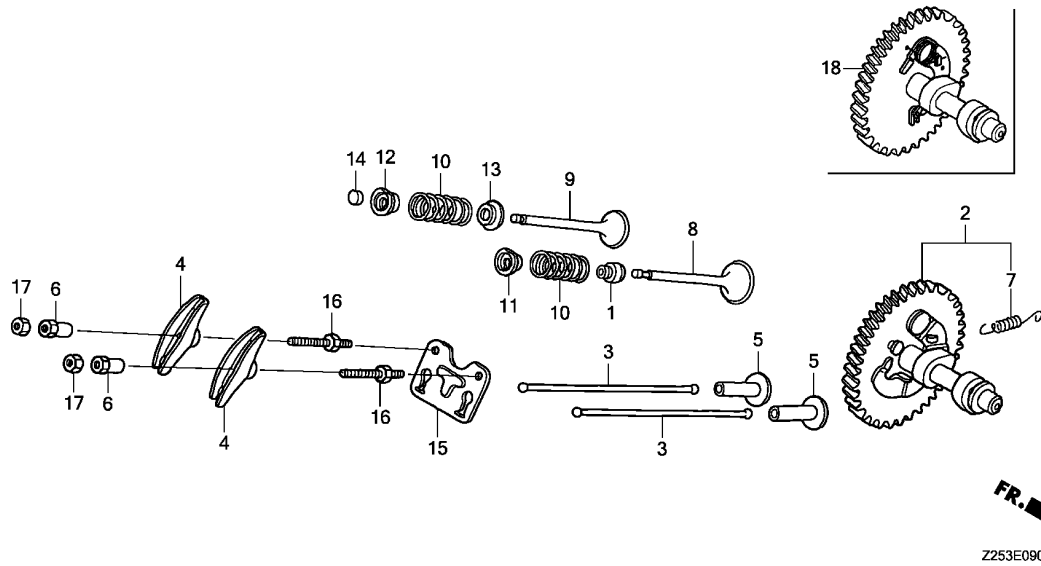
Ref. No.	L.O.N.	(Relative ref. Number) Description	F.R.T.
1	1111K2	SEAL, INTAKE VALVE STEMINCLUDES: Valve clearance adjustment (18)	1.8
2	1111C2	CAMSHAFTINCLUDES: Engine removal and installation .INCLUDES: Valve clearance adjustment	3.2
3	1111L6	ROD, PUSH :INTAKEINCLUDES: Valve clearance adjustment	0.4
	1111L7	ROD, PUSH :EXHAUSTINCLUDES: Valve clearance adjustment	0.4
	1111L8	ROD, PUSH :BOTHINCLUDES: Valve clearance adjustment	0.5
4	1111A2	ARM, ROCKER :INTAKEINCLUDES: Valve clearance adjustment	0.4
	1111A2A	.Replace exhaust rocker arm add	0.1
+	1111A1	ARM, ROCKER :EXHAUST	0.4

Ref. No.	Part No.	Description	Reqd. QTY			Serial No.	Parts catalogue code
			EU 65 is	EU 65 is1	EU 65 isN1		
1	12209-ZE8-003	SEAL, VALVE STEM	1	1	1		
2	14100-ZF6-W01	CAMSHAFT ASSY.	1	-	-		
	14100-Z5T-810	-	1	-	-----	CL,F,G,GW,IT,K,L,LT,R,RH,S,SK,U
3	14410-ZE3-013	ROD, PUSH	2	2	-	-----	CL,F,G,GW,IT,K,L,LT,R,RD,RH,S,SK,U
	14410-Z1C-000	-	2	2	-----	CLT,FT,GT,GWT,ITT,KT,L9T,LTT,RDT,RHT,RT,SKT,ST,UT
4	14431-ZE2-010	ARM, VALVE ROCKER	2	2	2		
5	14441-ZE2-000	LIFTER, VALVE	2	2	2		
6	14451-ZE1-013	PIVOT, ROCKER ARM	2	2	2		
7	14568-ZE1-000	SPRING, WEIGHT RETURN	1	1	-	-----	CL,F,G,GW,IT,K,L,LT,R,RD,RH,S,SK,U
8	14711-ZE3-000	VALVE, IN.	1	-	-		
	14711-Z5T-000	-	1	1		
9	14721-ZE3-810	VALVE, EX.(STELLITE)	1	-	-		
	14721-Z5T-800	-	1	1		
10	14751-ZE2-003	SPRING, VALVE	2	-	-		
	14751-Z1C-000	-	2	2		
11	14771-ZE2-000	RETAINER, IN. VALVE SPRING ..	1	-	-		
	14771-Z8S-000	-	1	1		
12	14773-ZE2-000	RETAINER, EX. VALVE SPRING ..	1	-	-		
	14771-Z8S-000	RETAINER, IN. VALVE SPRING ..	-	1	1		
		(EXHAUST SIDE)					
13	14775-ZE2-010	SEAT, VALVE SPRING	1	1	1		
14	14781-ZE2-000	ROTATOR, VALVE	1	-	-		
15	14791-ZE2-010	GUIDE, PUSH ROD	1	1	-	-----	CL,F,G,GW,IT,K,L,LT,R,RD,RH,S,SK,U
	14791-Z1D-000	-	1	1	-----	CLT,FT,GT,GWT,ITT,KT,L9T,LTT,RDT,RHT,RT,SKT,ST,UT
16	90012-ZE0-010	BOLT, PIVOT, 8MM	2	2	2		
17	90206-ZE1-000	NUT, PIVOT ADJUSTING	2	2	2		
18	14100-Z5T-910	CAMSHAFT COMP.(STD.)	-	1	1	-----	CLT,FT,GT,GWT,ITT,KT,L9T,LTT,RDT,RHT,RT,SKT,ST,UT



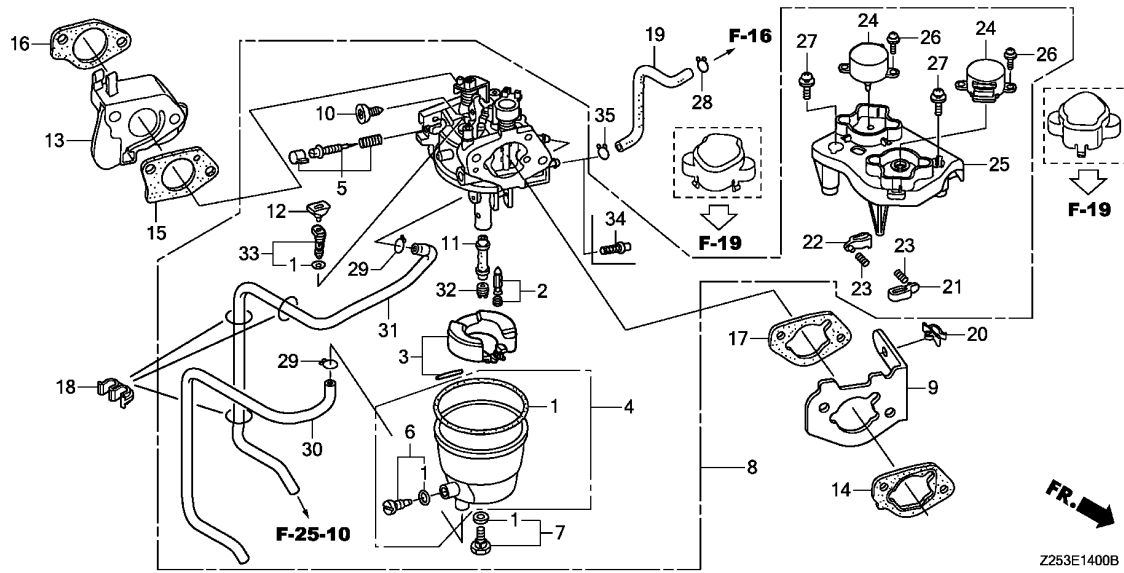
Ref. No.	L.O.N.	(Relative ref. Number) Description	F.R.T.
+ 4		.INCLUDES: Valve clearance adjustment	
1111A1A		.Replace intake rocker arm add	0.1
5	1111L9	LIFTER, VALVE :INTAKE	3.2
		.INCLUDES: Engine removal and installation	
		.INCLUDES: Valve clearance adjustment	
1111M0		LIFTER, VALVE :EXHAUST	3.2
		.INCLUDES: Engine removal and installation	
		.INCLUDES: Valve clearance adjustment	
1111M1		LIFTER, VALVE :BOTH	3.2
8	1111L1	VALVE, INTAKE	1.9
		.INCLUDES: Valve clearance adjustment and reface	
1111L1E		.Replace intake and exhaust all add	0.2
9	1111L0	VALVE, EXHAUST	1.9
		.INCLUDES: Valve clearance adjustment and reface	
1111LOE		.Replace intake and exhaust all add	0.2
+10	1111P3	SPRING, VALVE :INTAKE	1.8





Ref. No.	L.O.N.	(Relative ref. Number) Description	F.R.T.
+10		.INCLUDES: Valve clearance adjustment	
1111P3A		.Replace intake and exhaust all add	0.1
1111P4		SPRING, VALVE :EXHAUST	1.8
		.INCLUDES: Valve clearance adjustment	
1111P4A		.Replace intake and exhaust all add	0.1
14 1111J7		ROTATOR, VALVE	0.4
		.INCLUDES: Valve clearance adjustment	

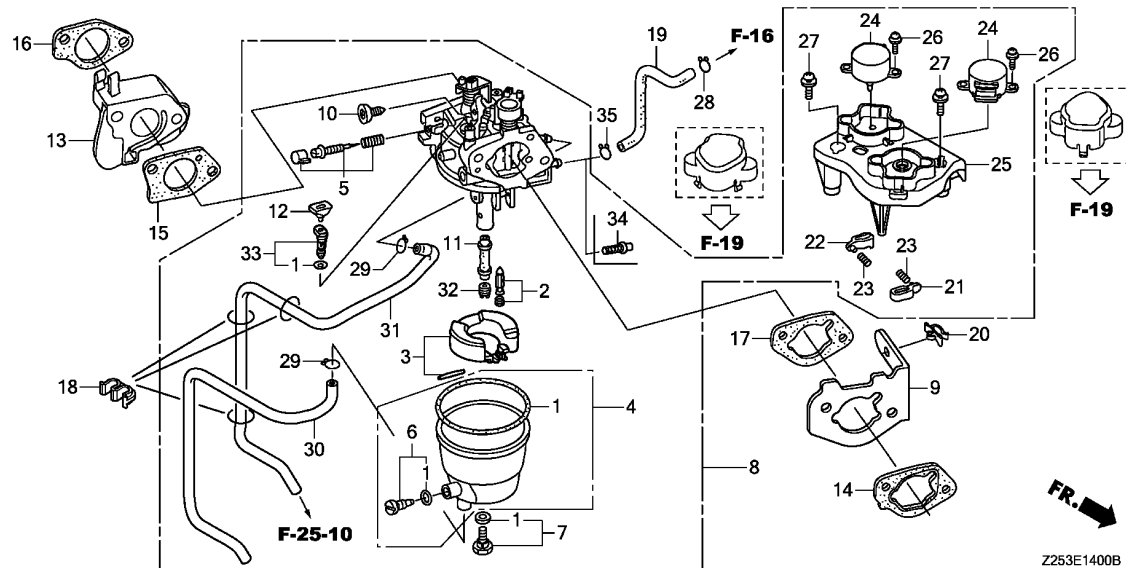
Z253E0900



Ref. No.	L.O.N.	(Relative ref. Number) Description	F.R.T.
1	3111B1	GASKET SET, CARBURETOR (3)	0.7
2	3111E1	FLOAT VALVE SET AND/OR FLOAT SET	0.6
4	3111A3	FLOAT CHAMBER SET AND/OR GASKET	0.5
5	3111D7	SCREW SET, PILOT	0.2
8	3111F3	CARBURETOR (16)	0.4
13	3111C0	CARBURETOR INSULATOR AND/OR PACKING	0.5
14	3111D9	SPACER, CARBURETOR	0.3
15	3111C8	PACKING, CARBURETOR (9)	0.4
17	3121D9	PACKING, AIR CLEANER	0.3
19	3101F1	TUBE, FUEL TANK	0.4
24	6151F0	MOTOR, THROTTLE CONTROL	0.5
	6151FOA	.Replace one control motor add	0.1
	8101BA	MOTOR, CHOKE CONTROL	0.5
	8101BAA	.Replace one control motor add (11)	0.1
32	3111C3	JET, MAIN	0.6
34	3111T4	SCREEN, CARBURETOR FUEL STRAINER	0.4

Ref. No.	Part No.	Description	Reqd. QTY			Serial No.	Parts catalogue code
			EU 65 is	EU 65 is1	EU 65 isN1		
1	16010-ZA0-921	GASKET SET	1	1	1		
2	16011-ZA0-931	VALVE SET, FLOAT	1	1	1		
3	16013-ZA0-931	FLOAT SET	1	1	1		
4	16015-ZA0-931	CHAMBER SET, FLOAT	1	1	1		
5	16016-ZH7-W01	SCREW SET, PILOT	1	1	1		
6	16024-124-760	SCREW SET, DRAIN	1	1	1		
7	16028-ZA0-701	SCREW SET	1	1	1		
8	16100-ZK6-E41	CARBURETOR ASSY. (BE89G A)	1	-	-		
	16100-ZF6-D31	CARBURETOR ASSY. (BE95D A)	-	1	1		
9	16105-ZK6-E40	HOLDER, TUBE	1	1	1		
10	16124-ZF6-F41	SCREW, STOP	1	1	1		
11	16166-ZF6-F41	NOZZLE, MAIN	1	-	-		
	16166-ZF6-D31		-	1	1		
12	16172-ZE3-W10	COLLAR, SETTING	1	1	1		
13	16211-ZF6-F40	INSULATOR, CARBURETOR	1	-	-		
	16211-ZF6-D50		-	1	1		
14	16220-ZA0-702	SPACER COMP., CARBURETOR	1	1	1		
15	16221-ZF6-800	PACKING, CARBURETOR	1	-	-		
	16221-Z5T-000		-	1	1		
16	16223-ZE3-W00	PACKING, INSULATOR	1	-	-		
	16212-Z5T-000	PACKING, CARBURETOR INSULATOR	-	1	1		
17	16269-ZA0-800	PACKING, AIR CLEANER	1	1	1		
18	17205-PC6-000	CLAMP, TUBE, 7.5X2	3	3	3		
19	17701-Z11-000	TUBE, FUEL TANK	1	-	-		
	17701-ZF6-E00		-	1	1		
20	32172-GJ1-003	CLIP B, HARNESS	1	1	1		



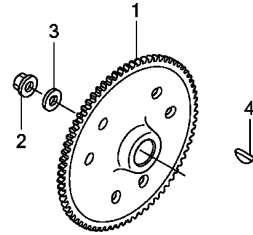


Z253E1400B

Ref. No.	Part No.	Description	Reqd. QTY			Serial No.	Parts catalogue code
			EU 65 is	EU 65 is1	EU 65 isN1		
21	36161-ZF6-F41	LEVER, LINK	1	1	1		
22	36161-ZL0-D31	LEVER, LINK	1	1	1		
23	36162-ZL0-D31	SPRING, COMPRESSION COIL	2	2	2		
24	36165-ZF6-F41	MOTOR COMP., THROTTLE CONTROL	2	2	2		
25	36166-ZF6-F41	BRACKET, THROTTLE MOTOR	1	1	1		
26	90003-ZL0-D30	SCREW-WASHER, 3X8	4	4	4		
27	93893-04012-18	SCREW-WASHER, 4X12	2	2	2		
28	95002-02080	CLIP, TUBE(B8)	1	1	1		
29	95002-45000	CLIP, TUBE(C8)	2	2	2		
30	95003-09040-31	TUBE, VINYL, 4.5X8X400 (95003-09001-60M)	1	1	1		
31	95003-09055-31	TUBE, VINYL, 4.5X8X550 (95003-09001-60M)	1	1	1		
32	99101-ZH8-0920	JET, MAIN, #92	(1)	(1)	(1)		
	99101-ZH8-0950	JET, MAIN, #95	(1)	-	-		
	99101-ZH8-0980	JET, MAIN, #98	1	-	-		
	99101-ZH8-0900	JET, MAIN, #90	-	(1)	(1)		
	99101-ZH8-0950	JET, MAIN, #95	-	1	1		
33	99204-ZE2-0400	JET SET, PILOT, #40	1	1	1		
34	16176-Z2G-D51	SCREEN, FUEL STRAINER	-	1	1		
35	95002-02080	CLIP, TUBE(B8)	1	-	-		
	95002-50000	CLIP, TUBE(C9)	-	1	1		

2

Ref. No.	L.O.N.	(Relative ref. Number) Description	F.R.T.
1	2161B5	FLYWHEEL	0.6

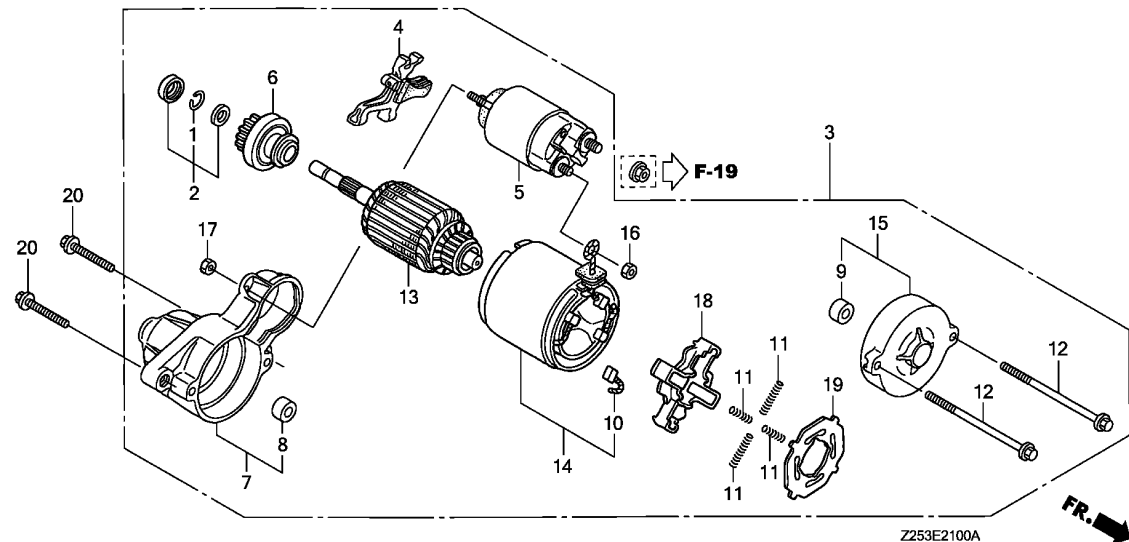


Z253E1900



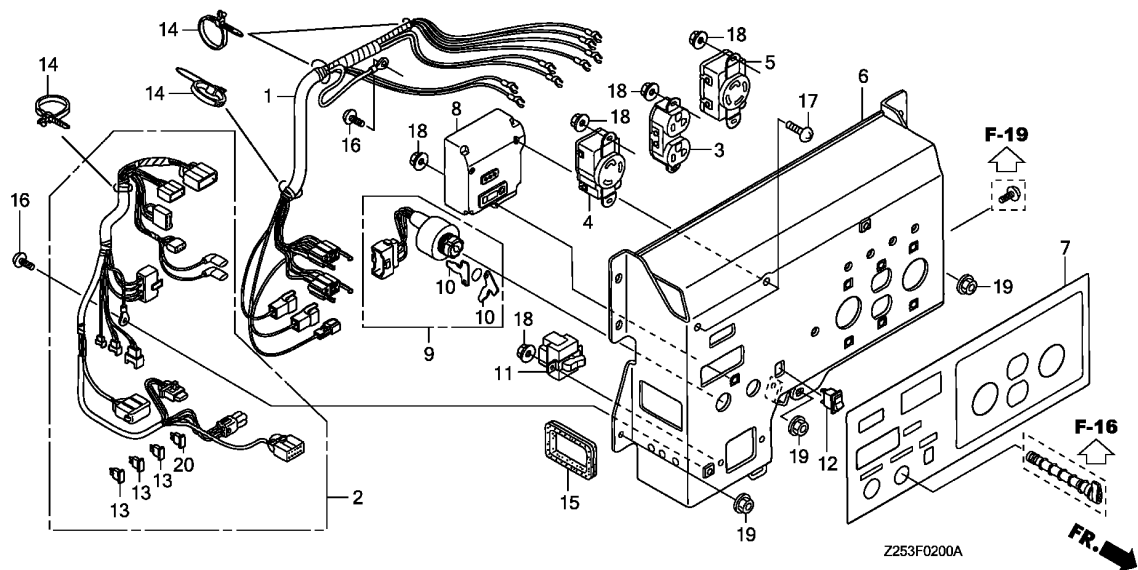
Ref. No.	Part No.	Description	Reqd. QTY			Serial No.	Parts catalogue code
			EU 65 is	EU 65 is1	EU 65 isN1		
1	31110-ZF6-F40	FLYWHEEL COMP.	1	1	1		
2	90201-ZE3-790	NUT, SPECIAL, 16MM	1	-	-		
	90201-ZE3-V00	-	1	1		
3	90473-ZF6-F40	WASHER, FLYWHEEL	1	1	1		
4	90741-ZE2-000	KEY, SPECIAL WOODRUFF, 25X18	1	1	1		





Ref. No.	L.O.N.	(Relative ref. Number) Description	F.R.T.
3	6121D5	MOTOR, STARTER	1.0
5	6121C9	SWITCH, STARTER MAGNETIC	1.1
6	6121B0	CLUTCH, OVERRUNNING	1.3
7	6121C2	HOUSING, DRIVE SIDE	1.2
10	6121A9	BRUSH, STARTER	1.2
11	6121G0	SPRING, STARTER BRUSH	1.1
.NOTE: Same time for two units or more			
13	6121A0	ARMATURE, STARTER	1.4
14	6121D1	YOKE, STARTER	1.1
18	6121B6	HOLDER, STARTER BRUSH	1.1

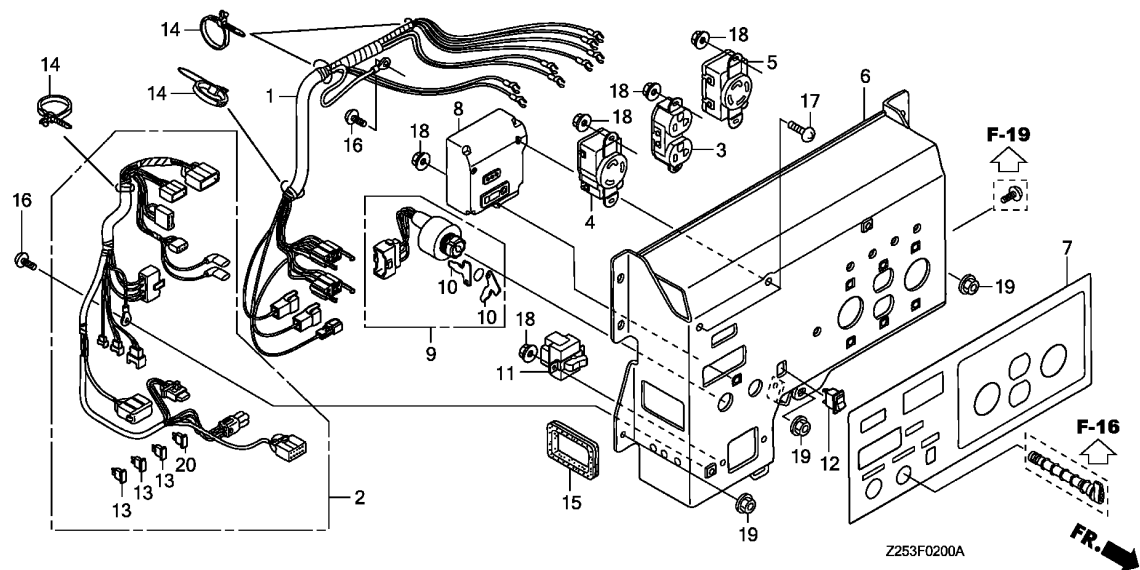
Ref. No.	Part No.	Description	Reqd. QTY			Serial No.	Parts catalogue code
			EU 65 is	EU 65 is1	EU 65 isN1		
1	30201-PH9-004	RING, SNAP(DENSO)	1	1	1		
2	30202-PZ1-003	COLLAR SET, CLUTCH STOP	1	1	1		
3	31200-ZF6-F42	MOTOR ASSY., STARTER	1	-	1	----- F,G,GW,IT,RDT	
	31200-ZF6-F41	1	-	-	4221824 K,L,LT,R,RD,RH,SK,U	
	31200-ZF6-F42	1	-	-	4221825 K,L,LT,R,RD,RH,SK,U	
4	31203-PN4-003	LEVER, PINION DRIVE	1	1	1		
5	31204-Z2E-003	SWITCH ASSY., MAGNET	1	-	1	----- F,G,GW,IT,RDT	
	31204-ZJ1-H01	1	-	-	4221824 K,L,LT,R,RD,RH,SK,U	
	31204-Z2E-003	1	-	-	4221825 K,L,LT,R,RD,RH,SK,U	
			-	1	-		
6	31207-ZF6-F41	CLUTCH COMP., OVERRUNNING ...	1	1	1		
7	31208-ZF6-F41	HOUSING COMP., DRIVE SIDE ...	1	1	1		
8	31209-PH9-004	BEARING A	1	1	1		
9	31210-PH9-004	BEARING B	1	1	1		
10	31211-PH9-004	BRUSH	4	4	4		
11	31212-PH9-004	SPRING, BRUSH	4	4	4		
12	31214-PH9-004	BOLT, THROUGH	2	2	2		
13	31217-ZG8-003	ARMATURE COMP.	1	1	1		
14	31218-PH9-004	YOKE COMP.	1	1	1		
15	31219-ZF6-F41	FRAME COMP., COMMUTATOR END -	1	1	1		
16	31220-PH9-004	NUT, HEX., 8MM	1	1	1		
17	31223-PA0-006	NUT, HEX.	2	2	2		
18	31231-PH9-004	HOLDER, BRUSH	1	1	1		
19	31233-PH9-004	INSULATOR, BRUSH HOLDER	1	1	1		
20	95701-10035-00	BOLT, FLANGE, 10X35	2	2	2		



Ref. No.	L.O.N.	(Relative ref. Number) Description	F.R.T.
1	6111C3	HARNESS, MAIN WIRE	0.7
2	6111B9	HARNESS, CONTROL WIRE	0.6
3	6221D5	RECEPTACLE/CONSENT, CONTROL PANEL	0.6
	6221E5	RECEPTACLE/CONSENT, CONTROL PANEL :ALL	0.7
6	6221N9	PANEL, GENERATOR CONTROL	0.8
8	6201C2	CONTROL UNIT, GENERATOR	0.6
9	6151E1	SWITCH, COMBINATION	0.6
11	6151F1	SWITCH, VOLT CHANGE	0.6
12	6151E5	SWITCH, AUTO THROTTLE	0.5
13	8121A7	FUSE, BLADE	0.1

.NOTE: Same time for two units or more

Ref. No.	Part No.	Description	Reqd. QTY			Serial No.	Parts catalogue code
			EU 65 is	EU 65 is1	EU 65 isN1		
1	32100-Z11-B30	HARNESS ASSY., MAIN WIRE	1	1	-	-----	L,L9T,LT,LTT
2	32150-Z11-A32	HARNESS ASSY., CONTROL WIRE ..	1	1	-	-----	L,L9T,LT,LTT
3	32330-899-631	RECEPTACLE(20A/125V) (MATSUSHITA)	1	1	-	-----	L,L9T,LT,LTT
4	32332-ZB4-630	RECEPTACLE(30A/125V)	1	1	-	-----	L,L9T,LT,LTT
5	32334-ZA0-631	RECEPTACLE(30A/125-250V)	1	1	-	-----	L,L9T,LT,LTT
6	32345-Z11-A31	PANEL COMP., CONTROL	1	1	-	-----	L,L9T,LT,LTT
7	32366-Z25-B30	MARK, PANEL(EU-L)	1	1	-	-----	L,L9T
	32366-Z25-U81	MARK, PANEL(EU-LT)	1	1	-	-----	LT,LTT
8	34110-Z11-A32	UNIT ASSY., GENERATOR CONTROL	1	-	-	-----	LT
	34110-Z11-A31	1	-	-	1008603	L
	34110-Z11-A32	1	-	-	1008604	L
	34110-Z25-F61	-	1	-	-----	L,L9T,LT,LTT
9	35100-Z11-013	SWITCH ASSY., COMBINATION ...	1	-	-	-----	LT
	35100-Z11-003	1	-	-	1008603	L
	35100-Z11-013	1	-	-	1008604	L
		-	1	-	-----	L,L9T,LT,LTT
10	35111-880-013	KEY COMP.	2	2	-	-----	L,L9T,LT,LTT
11	35320-Z11-A01	SWITCH ASSY., VOLT CHANGE ...	1	1	-	-----	L,L9T,LT,LTT
12	36214-Z11-A01	SWITCH COMP., AUTO-THROTTLE (OTAX)	1	-	-	-----	LT
	36214-ZS9-A00	SWITCH COMP., AUTO-THROTTLE ..	1	-	-	1018587	L
	36214-ZS9-A01	1	-	-	1018588	L
	36214-Z11-A01	SWITCH COMP., AUTO-THROTTLE (OTAX)	-	1	-	-----	L,L9T,LT,LTT
13	38206-735-921	FUSE, BLADE(1A)	3	3	-	-----	L,L9T,LT,LTT
14	90672-SB2-003	STRAP, CABLE, 105MM(BLACK) ..	4	4	-	-----	L,L9T,LT,LTT



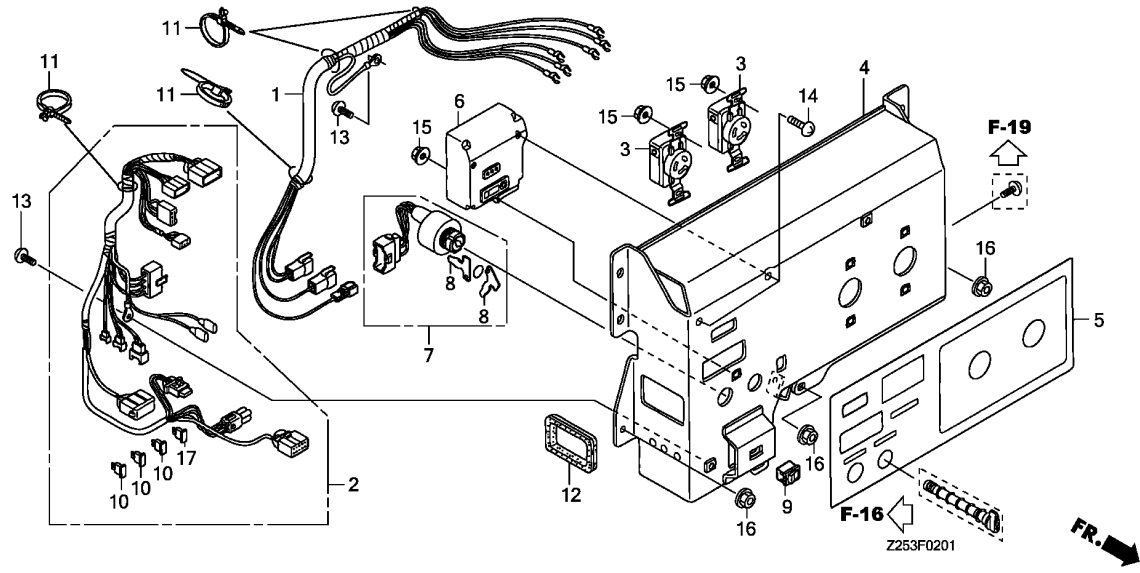
3

Ref. No.	Part No.	Description	Reqd. QTY			Serial No.	Parts catalogue code
			EU 65 is	EU 65 is1	EU 65 isN1		
15	91654-Z11-000	GROMMET, CONTROL HARNESS	1	1	-	-----	L,L9T,LT,LTT
16	93500-05008-3J	SCREW, PAN, 5X8	2	2	-	-----	L,L9T,LT,LTT
17	93500-05012-0G	SCREW, PAN, 5X12	2	2	-	-----	L,L9T,LT,LTT
18	94050-04000	NUT, FLANGE, 4MM	9	9	-	-----	L,L9T,LT,LTT
19	94050-06000	NUT, FLANGE, 6MM	3	3	-	-----	L,L9T,LT,LTT
20	98200-31500	FUSE, BLADE(15A)	1	1	-	-----	L,L9T,LT,LTT

F-2-1

CONTROL PANEL(K,KT,R,RH,RHT,RT,S,ST)

E 3



Ref. No.	L.O.N.	(Relative ref. Number) Description	F.R.T.
1	6111C3	HARNESS, MAIN WIRE	0.7
2	6111B9	HARNESS, CONTROL WIRE	0.6
3	6221D5	RECEPTACLE/CONSENT, CONTROL PANEL	0.6
	6221E5	RECEPTACLE/CONSENT, CONTROL PANEL :ALL	0.7
4	6221N9	PANEL, GENERATOR CONTROL	0.8
6	6201C2	CONTROL UNIT, GENERATOR	0.6
7	6151E1	SWITCH, COMBINATION	0.6
9	6151E5	SWITCH, AUTO THROTTLE	0.5
10	8121A7	FUSE, BLADE	0.1

.NOTE: Same time for two units or more

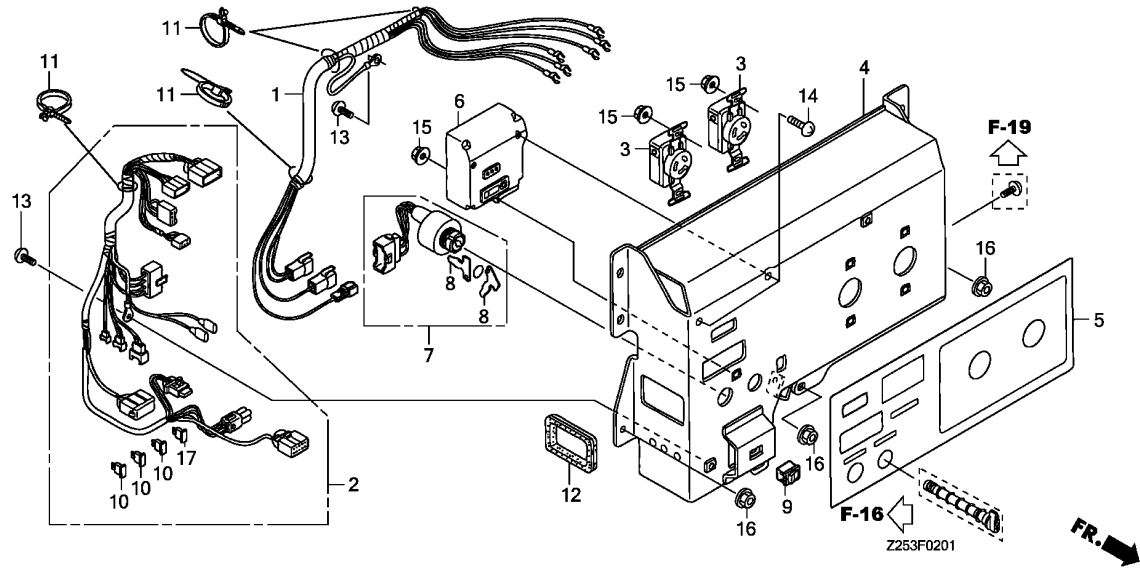
Ref. No.	Part No.	Description	Reqd. QTY			Serial No.	Parts catalogue code
			EU 65 is	EU 65 is1	EU 65 isN1		
1	32100-Z11-A70	HARNESS ASSY., MAIN WIRE	1	1	-	K,KT,R,RH,RHT,RT,S,ST	
2	32150-Z11-A61	HARNESS ASSY., CONTROL WIRE	1	1	-	K,KT,R,RH,RHT,RT	
	32150-Z11-A71	-	1	-	S,ST	
3	32331-880-680	CONSENT(20A/250V)	2	2	-	K,KT,R,RH,RHT,RT,S,ST	
4	32345-Z11-A70	PANEL COMP., CONTROL	1	1	-	K,KT,R,RH,RHT,RT,S,ST	
5	32366-Z25-B80	MARK, PANEL(EU-K)	1	1	-	K,KT	
	32366-Z25-B60	MARK, PANEL(EU-R)	1	1	-	R,RT	
	32366-Z25-R61	MARK, PANEL(CHINA)	1	1	-	RH,RHT	
	32366-Z25-F70	MARK, PANEL(EU-S)	-	1	-	S,ST	
6	34110-Z11-A32	UNIT ASSY., GENERATOR CONTROL	1	-	-	K,RH	
	34110-Z11-A31	1	-	-	1008603 R	
	34110-Z11-A32	1	-	-	1008604 R	
	34110-Z25-F61	-	1	-	K,KT,R,RH,RHT,RT,S,ST	
7	35100-Z11-013	SWITCH ASSY., COMBINATION	1	-	-	K,RH	
	35100-Z11-003	1	-	-	1008603 R	
	35100-Z11-013	-	1	-	1008604 R	
		-	1	-	K,KT,R,RH,RHT,RT,S,ST	
8	35111-880-013	KEY COMP.	2	2	-	K,KT,R,RH,RHT,RT,S,ST	
9	36214-Z11-A01	SWITCH COMP., AUTO-THROTTLE (OTAX)	1	-	-	K	
	36214-ZS9-A01	SWITCH COMP., AUTO-THROTTLE	1	-	-	RH	
	36214-ZS9-A00	1	-	-	1018587 R	
	36214-ZS9-A01	1	-	-	1018588 R	
	36214-Z11-A01	SWITCH COMP., AUTO-THROTTLE (OTAX)	-	1	-	K,KT,R,RH,RHT,RT,S,ST	
10	38206-735-921	FUSE, BLADE(1A)	3	3	-	K,KT,R,RH,RHT,RT,S,ST	
11	90672-SB2-003	STRAP, CABLE, 105MM(BLACK) ..	4	4	-	K,KT,R,RH,RHT,RT,S,ST	

3

F-2-1

CONTROL PANEL(K,KT,R,RH,RHT,RT,S,ST)

E 4



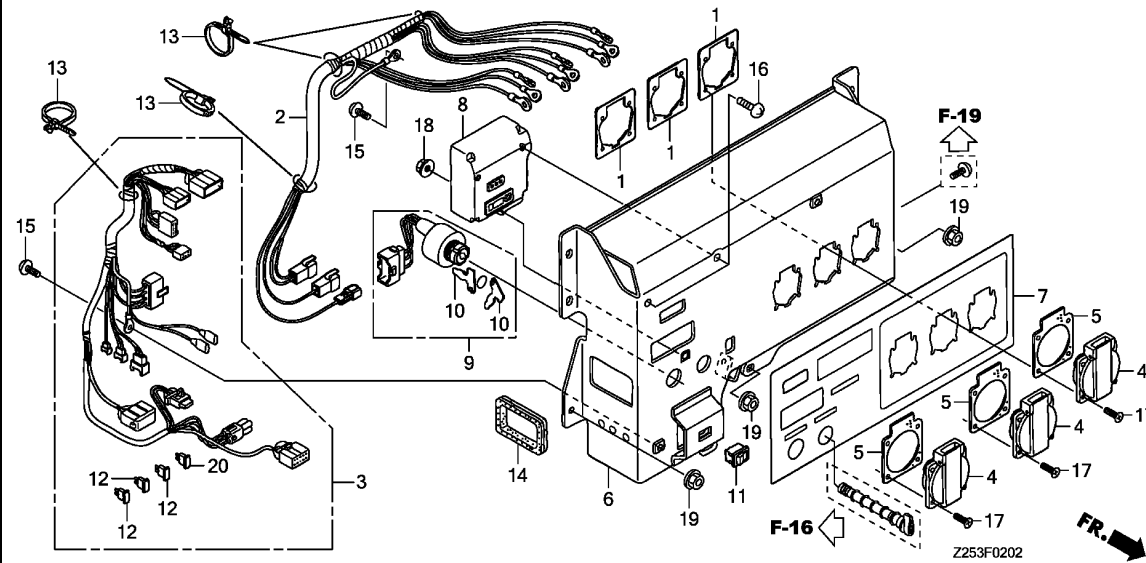
Ref. No.	Part No.	Description	Reqd. QTY			Serial No.	Parts catalogue code
			EU 65 is	EU 65 is1	EU 65 isN1		
12	91654-Z11-000	GROMMET, CONTROL HARNESS	1	1	-	-----	K,KT,R,RH,RHT,RT,S,ST
13	93500-05008-3J	SCREW, PAN, 5X8	2	2	-	-----	K,KT,R,RH,RHT,RT,S,ST
14	93500-05012-0G	SCREW, PAN, 5X12	2	2	-	-----	K,KT,R,RH,RHT,RT,S,ST
15	94050-04000	NUT, FLANGE, 4MM	5	5	-	-----	K,KT,R,RH,RHT,RT,S,ST
16	94050-06000	NUT, FLANGE, 6MM	3	3	-	-----	K,KT,R,RH,RHT,RT,S,ST
17	98200-31500	FUSE, BLADE (15A)	1	1	-	-----	K,KT,R,RH,RHT,RT,S,ST

3

F-2-2

CONTROL PANEL(SK,SKT)

E 5



Ref. No.	L.O.N.	(Relative ref. Number) Description	F.R.T.
2	6111C3	HARNESS, MAIN WIRE	0.7
3	6111B9	HARNESS, CONTROL WIRE	0.6
4	6221D5	RECEPTACLE/CONSENT, CONTROL PANEL	0.6
	6221E5	RECEPTACLE/CONSENT, CONTROL PANEL :ALL	0.7
6	6221N9	PANEL, GENERATOR CONTROL	0.8
8	6201C2	CONTROL UNIT, GENERATOR	0.6
9	6151E1	SWITCH, COMBINATION	0.6
11	6151E5	SWITCH, AUTO THROTTLE	0.5
12	8121A7	FUSE, BLADE	0.1

.NOTE: Same time for two units or more

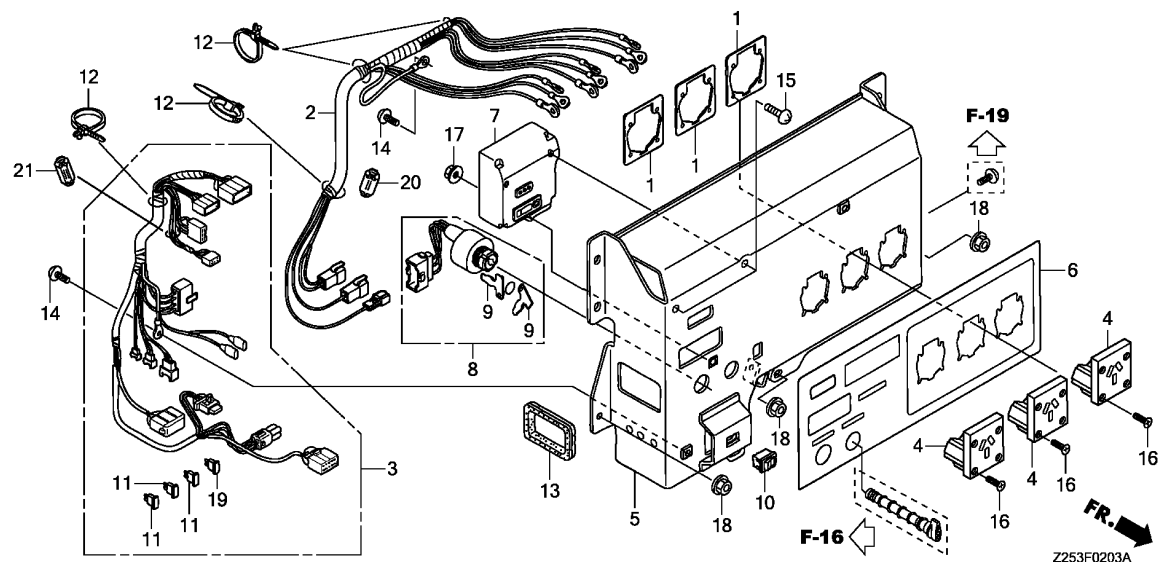
Ref. No.	Part No.	Description	Reqd. QTY			Serial No.	Parts catalogue code
			EU 65 is	EU 65 is1	EU 65 isN1		
1	31426-ZA8-761	PLATE, CONSENT SETTING	3	3	-	SK,SKT	
2	32100-Z11-A81	HARNESS ASSY., MAIN WIRE	1	1	-	SK,SKT	
3	32150-Z11-A71	HARNESS ASSY., CONTROL WIRE	1	1	-	SK,SKT	
4	32331-ZT3-C60	RECEPTACLE(16A/250V)	3	3	-	SK,SKT	
5	32335-875-610	PACKING, RECEPTACLE	3	3	-	SK,SKT	
6	32345-Z11-A80	PANEL COMP., CONTROL	1	1	-	SK,SKT	
7	32366-Z25-R10	MARK, PANEL(EU-SK)	1	1	-	SK,SKT	
8	34110-Z11-A31	UNIT ASSY., GENERATOR CONTROL	1	-	-	1008603 SK	
	34110-Z11-A32	1	-	-	1008604 SK	
	34110-Z25-F61	-	1	-	SK,SKT	
9	35100-Z11-003	SWITCH ASSY., COMBINATION	1	-	-	1008603 SK	
	35100-Z11-013	1	-	-	1008604 SK	
		-	1	-	SK,SKT	
10	35111-880-013	KEY COMP.	2	2	-	SK,SKT	
11	36214-ZS9-A00	SWITCH COMP., AUTO-THROTTLE	1	-	-	1018587 SK	
	36214-ZS9-A01	1	-	-	1018588 SK	
	36214-Z11-A01	SWITCH COMP., AUTO-THROTTLE (OTAX)	-	1	-	SK,SKT	
12	38206-735-921	FUSE, BLADE(1A)	3	3	-	SK,SKT	
13	90672-SB2-003	STRAP, CABLE, 105MM(BLACK)	4	4	-	SK,SKT	
14	91654-Z11-000	GROMMET, CONTROL HARNESS	1	1	-	SK,SKT	
15	93500-05008-3J	SCREW, PAN, 5X8	2	2	-	SK,SKT	
16	93500-05012-0G	SCREW, PAN, 5X12	2	2	-	SK,SKT	
17	93600-04016-1G	SCREW, FLAT, 4X16	12	12	-	SK,SKT	
18	94050-04000	NUT, FLANGE, 4MM	1	1	-	SK,SKT	
19	94050-06000	NUT, FLANGE, 6MM	3	3	-	SK,SKT	
20	98200-31500	FUSE, BLADE(15A)	1	1	-	SK,SKT	

3

F-2-3

CONTROL PANEL(U,UT)

E 6



Ref. No.	L.O.N.	(Relative ref. Number) Description	F.R.T.
2	6111C3	HARNESS, MAIN WIRE	0.7
3	6111B9	HARNESS, CONTROL WIRE	0.6
4		(1)	
	6221J4	SOCKET, CONTROL PANEL	0.6
	6221J5	SOCKET, CONTROL PANEL :ALL ...	0.7
5	6221N9	PANEL, GENERATOR CONTROL	0.8
7	6201C2	CONTROL UNIT, GENERATOR	0.6
8	6151E1	SWITCH, COMBINATION	0.6
10	6151E5	SWITCH, AUTO THROTTLE	0.5
11		(19)	
	8121A7	FUSE, BLADE	0.1

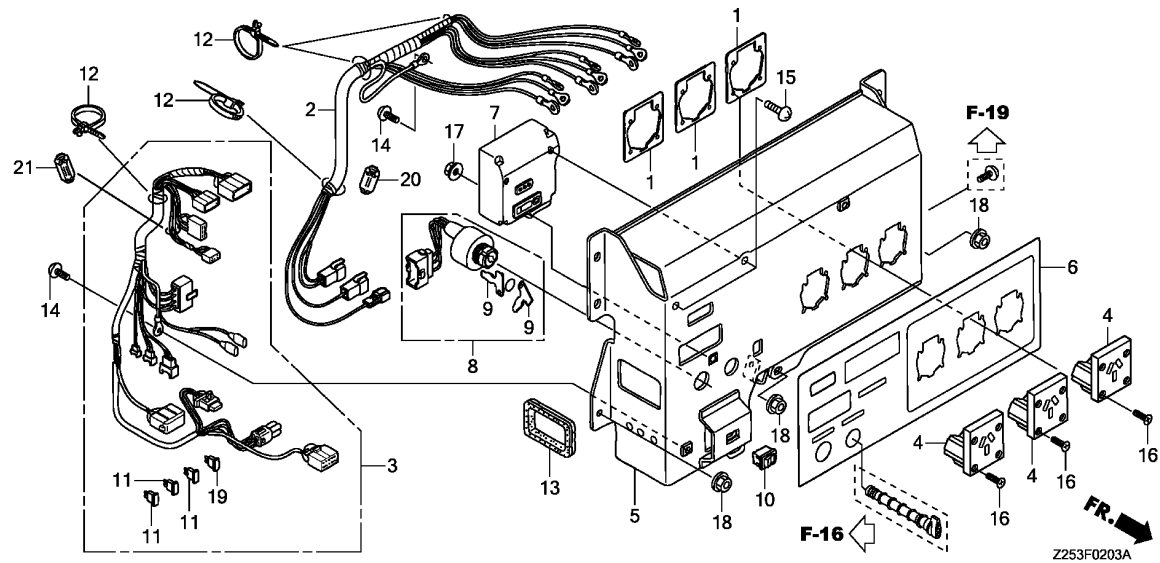
.NOTE: Same time for two units or more

Ref. No.	Part No.	Description	Reqd. QTY			Serial No.	Parts catalogue code
			EU 65 is	EU 65 is1	EU 65 isN1		
1	31426-ZA8-761	PLATE, CONSENT SETTING	3	3	-	-----	U,UT
2	32100-Z11-A81	HARNESS ASSY., MAIN WIRE	1	-	-	-----	U
	32100-Z25-F80	-	1	-	-----	U,UT
3	32150-Z11-A61	HARNESS ASSY., CONTROL WIRE	1	-	-	-----	U
	32150-Z25-F80	-	1	-	-----	U,UT
4	32332-Z07-C81	SOCKET(15A/250V)	3	3	-	-----	U,UT
5	32345-Z11-A80	PANEL COMP., CONTROL	1	1	-	-----	U,UT
6	32366-Z25-A80	MARK, PANEL(EU-U)	1	1	-	-----	U,UT
7	34110-Z11-A31	UNIT ASSY., GENERATOR CONTROL	1	-	-	1008603	U
	34110-Z11-A32	1	-	-	1008604	U
	34110-Z25-F61	-	1	-	-----	U,UT
8	35100-Z11-003	SWITCH ASSY., COMBINATION	1	-	-	1008603	U
	35100-Z11-013	-	1	-	1008604	U
		-	1	-	-----	U,UT
9	35111-880-013	KEY COMP.	2	2	-	-----	U,UT
10	36214-ZS9-A00	SWITCH COMP., AUTO-THROTTLE	1	-	-	1018587	U
	36214-ZS9-A01	1	-	-	1018588	U
	36214-Z11-A01	SWITCH COMP., AUTO-THROTTLE (OTAX)	-	1	-	-----	U,UT
11	38206-735-921	FUSE, BLADE(1A)	3	3	-	-----	U,UT
12	90672-SB2-003	STRAP, CABLE, 105MM(BLACK) ..	4	4	-	-----	U,UT
13	91654-Z11-000	GROMMET, CONTROL HARNESS	1	1	-	-----	U,UT
14	93500-05008-3J	SCREW, PAN, 5X8	2	2	-	-----	U,UT
15	93500-05012-0G	SCREW, PAN, 5X12	2	2	-	-----	U,UT
16	93600-04020-1G	SCREW, FLAT, 4X20	12	12	-	-----	U,UT
17	94050-04000	NUT, FLANGE, 4MM	1	1	-	-----	U,UT

F-2-3

CONTROL PANEL(U,UT)

E 7



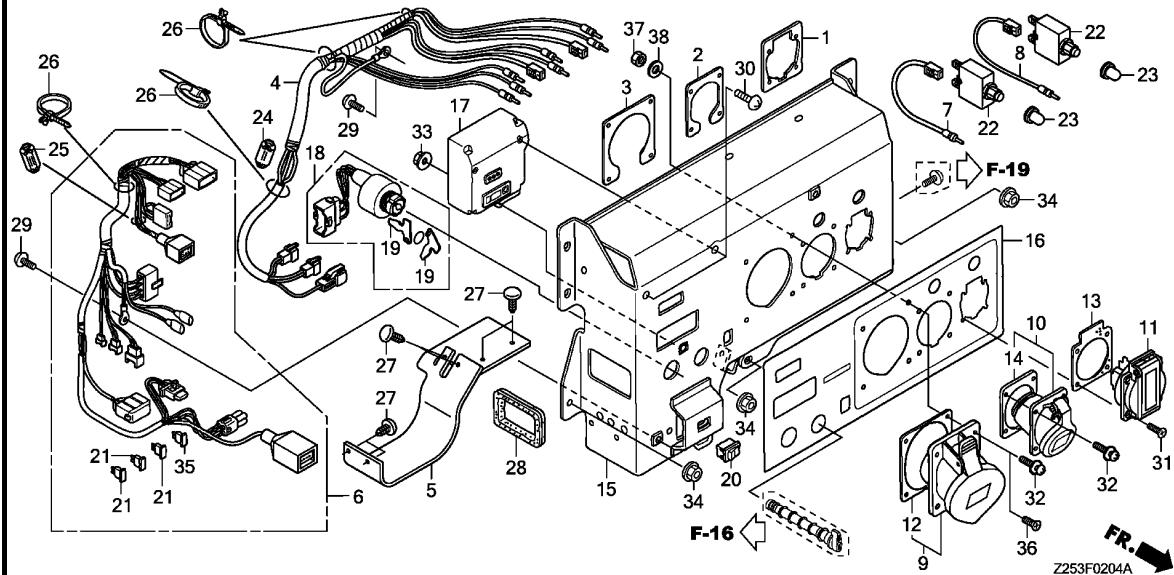
Ref. No.	Part No.	Description	Reqd. QTY			Serial No.	Parts catalogue code
			EU 65 is	EU 65 is1	EU 65 isN1		
18	94050-06000	NUT, FLANGE, 6MM	3	3	-	-----	U,UT
19	98200-31500	FUSE, BLADE(15A)	1	1	-	-----	U,UT
20	38398-Z25-A60	FILTER, SUB NOISE(AC)	-	1	-	-----	U,UT
21	38399-Z25-A60	FILTER, SUB NOISE(AC)	-	1	-	-----	U,UT

3

F-2-4

CONTROL PANEL(F,FT)

E 8



Ref. No.	L.O.N.	(Relative ref. Number) Description	F.R.T.
4	6111C3	HARNESS, MAIN WIRE	0.7
6	6111B9	HARNESS, CONTROL WIRE	0.6
9		(1,2,3,10,11,12,13,14)	
	6221D5	RECEPTACLE/CONSENT, CONTROL PANEL	0.6
	6221E5	RECEPTACLE/CONSENT, CONTROL PANEL :ALL	0.7
15	6221N9	PANEL, GENERATOR CONTROL	0.8
17	6201C2	CONTROL UNIT, GENERATOR	0.6
18	6151E1	SWITCH, COMBINATION	0.6
20	6151E5	SWITCH, AUTO THROTTLE	0.5
21		(35)	
	8121A7	FUSE, BLADE	0.1
		.NOTE: Same time for two units or more	
22	6221D4	PROTECTOR, CIRCUIT	0.6
		.NOTE: Same time for two units	

Ref. No.	Part No.	Description	Reqd. QTY			Serial No.	Parts catalogue code
			EU 65 is	EU 65 is1	EU 65 isN1		
1	31426-ZA8-761	PLATE, CONSENT SETTING	1	1	-	-----	F,FT
2	31426-ZB7-691	PLATE SET, CONSENT	1	1	-	-----	F,FT
3	31426-ZB8-691	PLATE SET, CONSENT	1	-	-	1046078	F
4	32100-Z25-B50	HARNESS ASSY., MAIN WIRE	1	1	-	-----	F,FT
5	32118-Z25-A60	SHEET, WATER PROOF	1	1	-	-----	F,FT
6	32150-Z25-A60	HARNESS ASSY., CONTROL WIRE	1	1	-	-----	F,FT
7	32196-Z25-A60	SUB CORD ASSY.(A)	1	1	-	-----	F,FT
8	32197-Z25-A60	SUB CORD ASSY.(B)	1	1	-	-----	F,FT
9	32330-ZA0-890	RECEPTACLE(32A/230V)	1	-	-	1046078	F
		(ABL SURSUM)					
	32330-Z22-A90	RECEPTACLE(32A/250V)(KEDU) ..	1	-	-	1046079	F
			-	1	-	-----	F,FT
10	32331-ZB3-G90	RECEPTACLE(16A/240V)	1	-	-	-----	F
	32330-Z11-A90	-	1	-	-----	F,FT
11	32331-Z25-B50	RECEPTACLE(10/16A-250V)	1	1	-	-----	F,FT
12	32335-ZC6-670	PACKING	1	-	-	1046078	F
	32335-Z22-F90	1	-	-	1046079	F
			-	1	-	-----	F,FT
13	32335-875-610	PACKING, RECEPTACLE	1	1	-	-----	F,FT
14	32335-898-690	PACKING, RECEPTACLE	1	-	-	-----	F
	32335-Z11-A90	PACKING	-	1	-	-----	F,FT
15	32345-Z25-B50	PANEL COMP., CONTROL	1	1	-	-----	F,FT
16	32366-Z25-B50	MARK, PANEL	1	1	-	-----	F,FT
17	34110-Z11-A32	UNIT ASSY., GENERATOR CONTROL	1	-	-	-----	F
	34110-Z25-F61	-	1	-	-----	F,FT
18	35100-Z11-013	SWITCH ASSY., COMBINATION	1	1	-	-----	F,FT

3

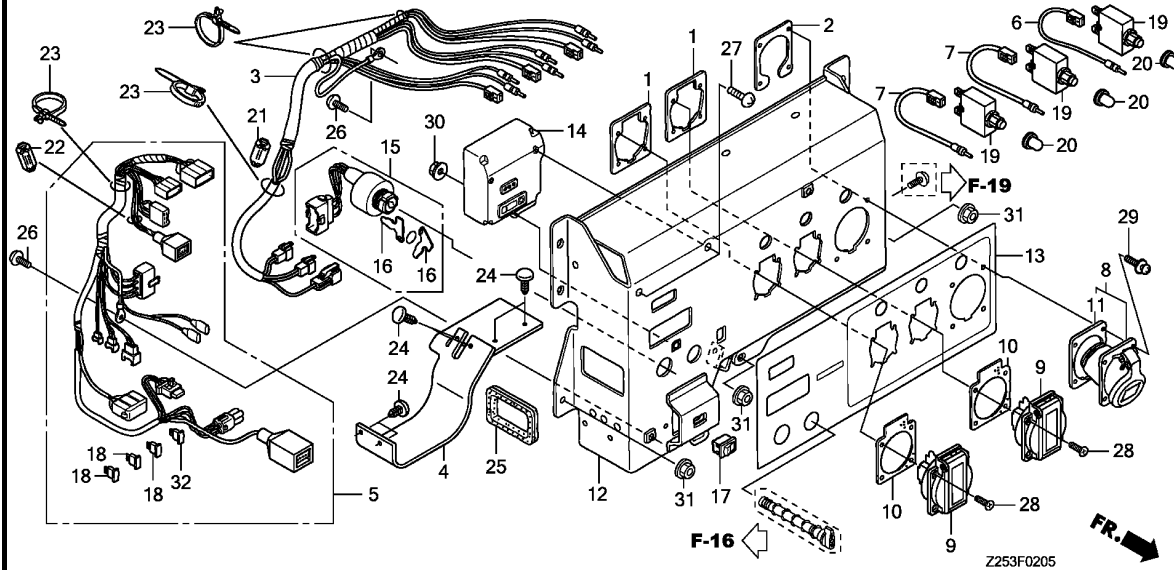
Ref. No.	Part No.	Description	Reqd. QTY			Serial No.	Parts catalogue code
			EU 65 is	EU 65 is1	EU 65 isN1		
19	35111-880-013	KEY COMP.	2	2	-	-----	F,FT
20	36214-ZS9-A00	SWITCH COMP., AUTO-THROTTLE .	1	-	-	-----	1018587 F
	36214-ZS9-A01	1	-	-	1018588	----- F
	36214-Z11-A01	SWITCH COMP., AUTO-THROTTLE	-	-	-	-----	----- F,FT
		(OTAX)	-	1	-	-----	----- F,FT
21	38206-735-921	FUSE, BLADE(1A)	3	3	-	-----	----- F,FT
22	38240-Z25-A61	PROTECTOR, CIRCUIT(16A)	2	-	-	-----	1016791 F
	38240-Z25-A62	2	-	-	1016792	1045340 F
	38240-Z25-A63	2	-	-	1045341	----- F
		-	2	-	-----	----- F,FT
23	38242-Z25-A61	COVER COMP., CIRCUIT PROTECTOR	2	-	-	-----	1016791 F
	38242-Z25-A62	2	-	-	1016792	----- F
		-	2	-	-----	----- F,FT
24	38398-Z25-A60	FILTER, SUB NOISE(AC)	1	1	-	-----	----- F,FT
25	38399-Z25-A60	FILTER, SUB NOISE(AC)	1	1	-	-----	----- F,FT
26	90672-SB2-003	STRAP, CABLE, 105MM(BLACK) ..	4	4	-	-----	----- F,FT
27	91504-SD5-003	CLIP, WASHER MOUTH	6	6	-	-----	----- F,FT
28	91654-Z11-000	GROMMET, CONTROL HARNESS	1	1	-	-----	----- F,FT
29	93500-05008-3J	SCREW, PAN, 5X8	2	2	-	-----	----- F,FT
30	93500-05012-0G	SCREW, PAN, 5X12	2	2	-	-----	----- F,FT
31	93600-04016-1G	SCREW, FLAT, 4X16	4	4	-	-----	----- F,FT
32	93893-05016-17	SCREW-WASHER, 5X16	8	-	-	-----	1046078 F
		4	-	-	1046079	----- F
	93893-05020-17	SCREW-WASHER, 5X20	-	4	-	-----	----- F,FT
33	94050-04000	NUT, FLANGE, 4MM	1	1	-	-----	----- F,FT
34	94050-06000	NUT, FLANGE, 6MM	3	3	-	-----	----- F,FT
35	98200-31500	FUSE, BLADE(15A)	1	1	-	-----	----- F,FT
36	93600-05016-0G	SCREW, FLAT, 5X16	4	-	-	1046079	----- F
		-	4	-	-----	----- F,FT
37	94001-05000	NUT, HEX., 5MM	4	-	-	1046079	----- F
	94001-05000-0S	-	4	-	-----	----- F,FT
38	94111-05800	WASHER, SPRING, 5MM	4	-	-	1046079	----- F
		-	4	-	-----	----- F,FT



F-2-5

CONTROL PANEL(CL,CLT,G,GT,GW,GWT)

E10



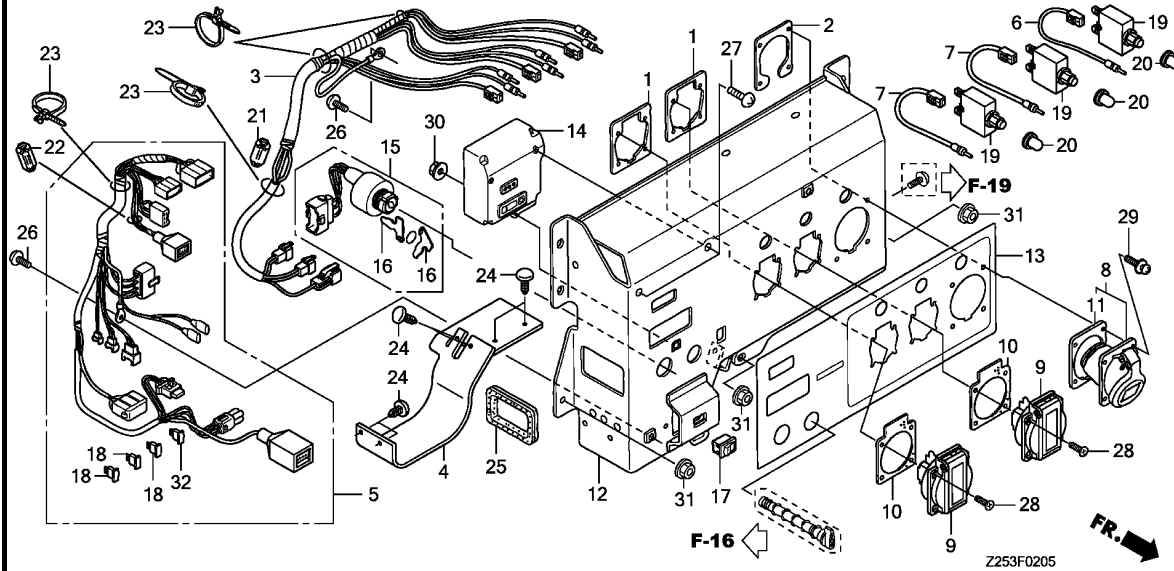
Ref. No.	L.O.N.	(Relative ref. Number) Description	F.R.T.
3	6111C3	HARNESS, MAIN WIRE	0.7
5	6111B9	HARNESS, CONTROL WIRE	0.6
8		(1,2,9,10,11)	
	6221D5	RECEPTACLE/CONSENT, CONTROL PANEL	0.6
	6221E5	RECEPTACLE/CONSENT, CONTROL PANEL :ALL	0.7
12	6221N9	PANEL, GENERATOR CONTROL	0.8
14	6201C2	CONTROL UNIT, GENERATOR	0.6
15	6151E1	SWITCH, COMBINATION	0.6
17	6151E5	SWITCH, AUTO THROTTLE	0.5
18		(32)	
	8121A7	FUSE, BLADE	0.1
		.NOTE: Same time for two units or more	
19	6221D4	PROTECTOR, CIRCUIT	0.6
	6221G1	PROTECTOR, CIRCUIT :ALL	0.7

Ref. No.	Part No.	Description	Reqd. QTY			Serial No.	Parts catalogue code
			EU 65 is	EU 65 is1	EU 65 isN1		
1	31426-ZA8-761	PLATE, CONSENT SETTING	2	2	-	CL,CLT,G,GT,GW,GWT	
2	31426-ZB7-691	PLATE SET, CONSENT	1	1	-	CL,CLT,G,GT,GW,GWT	
3	32100-Z25-A60	HARNESS ASSY., MAIN WIRE	1	1	-	CL,CLT,G,GT,GW,GWT	
4	32118-Z25-A60	SHEET, WATER PROOF	1	1	-	CL,CLT,G,GT,GW,GWT	
5	32150-Z25-A60	HARNESS ASSY., CONTROL WIRE	1	1	-	CL,CLT,G,GT,GW,GWT	
6	32196-Z25-A60	SUB CORD ASSY.(A)	1	1	-	CL,CLT,G,GT,GW,GWT	
7	32197-Z25-A60	SUB CORD ASSY.(B)	2	2	-	CL,CLT,G,GT,GW,GWT	
8	32331-ZB3-G90	RECEPTACLE(16A/240V)	1	-	-	G,GW	
	32330-Z11-A90	-	1	-	CL,CLT,G,GT,GW,GWT	
9	32331-Z25-A60	RECEPTACLE(16A-250V)	2	2	-	CL,CLT,G,GT,GW,GWT	
10	32335-875-610	PACKING, RECEPTACLE	2	2	-	CL,CLT,G,GT,GW,GWT	
11	32335-898-690	PACKING, RECEPTACLE	1	-	-	G,GW	
	32335-Z11-A90	PACKING	-	1	-	CL,CLT,G,GT,GW,GWT	
12	32345-Z25-A60	PANEL COMP., CONTROL	1	1	-	CL,CLT,G,GT,GW,GWT	
13	32366-Z25-A60	MARK, PANEL	1	1	-	CL,CLT,G,GT,GW,GWT	
14	34110-Z11-A32	UNIT ASSY., GENERATOR CONTROL	1	-	-	G,GW	
	34110-Z25-F61	-	1	-	CL,CLT,G,GT,GW,GWT	
15	35100-Z11-013	SWITCH ASSY., COMBINATION	1	1	-	CL,CLT,G,GT,GW,GWT	
16	35111-880-013	KEY COMP.	2	2	-	CL,CLT,G,GT,GW,GWT	
17	36214-ZS9-A00	SWITCH COMP., AUTO-THROTTLE	1	-	-	1018587 G,GW	
	36214-ZS9-A01	1	-	-	1018588 G,GW	
	36214-Z11-A01	SWITCH COMP., AUTO-THROTTLE (OTAX)	-	1	-	CL,CLT,G,GT,GW,GWT	
18	38206-735-921	FUSE, BLADE(1A)	3	3	-	CL,CLT,G,GT,GW,GWT	
19	38240-Z25-A61	PROTECTOR, CIRCUIT(16A)	3	-	-	1016791 G,GW	
	38240-Z25-A62	3	-	-	1016792 1045340 G,GW	

F-2-5

CONTROL PANEL(CL,CLT,G,GT,GW,GWT)

E11



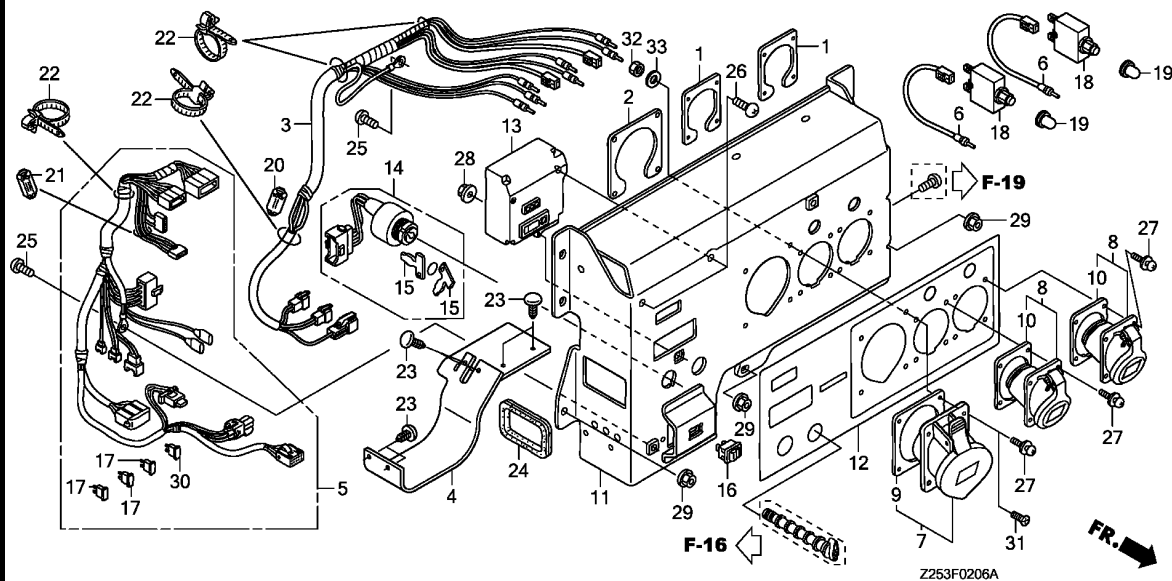
Ref. No.	Part No.	Description	Reqd. QTY			Serial No.	Parts catalogue code
			EU 65 is	EU 65 is1	EU 65 isN1		
19)	38240-Z25-A63	PROTECTOR, CIRCUIT(16A)	3	-	-	1045341	G,GW
			-	3	-		CL,CLT,G,GT,GW,GWT
20	38242-Z25-A61	COVER COMP., CIRCUIT PROTECTOR	3	-	-	1016791	G,GW
	38242-Z25-A62	3	-	-	1016792	G,GW
			-	3	-		CL,CLT,G,GT,GW,GWT
21	38398-Z25-A60	FILTER, SUB NOISE(AC)	1	1	-		CL,CLT,G,GT,GW,GWT
22	38399-Z25-A60	FILTER, SUB NOISE(AC)	1	1	-		CL,CLT,G,GT,GW,GWT
23	90672-SB2-003	STRAP, CABLE, 105MM(BLACK) ..	4	4	-		CL,CLT,G,GT,GW,GWT
24	91504-SD5-003	CLIP, WASHER MOUTH	6	6	-		CL,CLT,G,GT,GW,GWT
25	91654-Z11-000	GROMMET, CONTROL HARNESS	1	1	-		CL,CLT,G,GT,GW,GWT
26	93500-05008-3J	SCREW, PAN, 5X8	2	2	-		CL,CLT,G,GT,GW,GWT
27	93500-05012-0G	SCREW, PAN, 5X12	2	2	-		CL,CLT,G,GT,GW,GWT
28	93600-04016-1G	SCREW, FLAT, 4X16	8	8	-		CL,CLT,G,GT,GW,GWT
29	93893-05016-17	SCREW-WASHER, 5X16	4	-	-		G,GW
	93893-05020-17	SCREW-WASHER, 5X20	-	4	-		CL,CLT,G,GT,GW,GWT
30	94050-04000	NUT, FLANGE, 4MM	1	1	-		CL,CLT,G,GT,GW,GWT
31	94050-06000	NUT, FLANGE, 6MM	3	3	-		CL,CLT,G,GT,GW,GWT
32	98200-31500	FUSE, BLADE(15A)	1	1	-		CL,CLT,G,GT,GW,GWT

3

F-2-6

CONTROL PANEL(IT,ITT)

E12



Ref. No.	L.O.N.	(Relative ref. Number) Description	F.R.T.
3	6111C3	HARNESS, MAIN WIRE	0.7
5	6111B9	HARNESS, CONTROL WIRE	0.6
7		(1,2,8,9,10)	
	6221D5	RECEPTACLE/CONSENT, CONTROL PANEL	0.6
	6221E5	RECEPTACLE/CONSENT, CONTROL PANEL :ALL	0.7
11	6221N9	PANEL, GENERATOR CONTROL	0.8
13	6201C2	CONTROL UNIT, GENERATOR	0.6
14	6151E1	SWITCH, COMBINATION	0.6
16	6151E5	SWITCH, AUTO THROTTLE	0.5
17		(30)	
	8121A7	FUSE, BLADE	0.1
		.NOTE: Same time for two units or more	
18	6221D4	PROTECTOR, CIRCUIT	0.6
		.NOTE: Same time for two units	

3

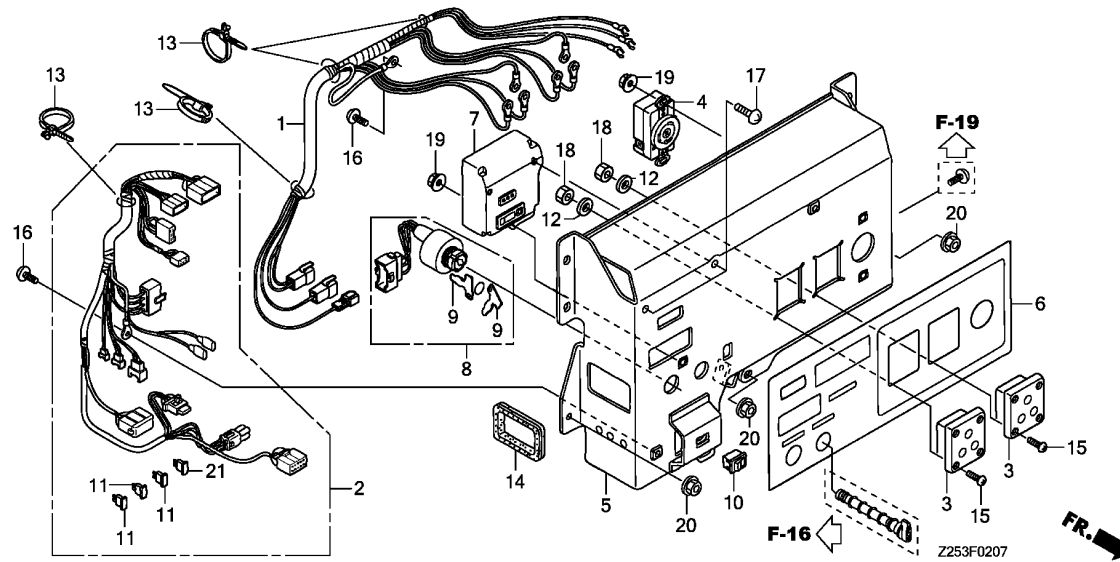
Ref. No.	Part No.	Description	Reqd. QTY			Serial No.	Parts catalogue code
			EU 65 is	EU 65 is1	EU 65 isN1		
1	31426-ZB7-691	PLATE SET, CONSENT	2	2	-	IT,ITT	
2	31426-ZB8-691	PLATE SET, CONSENT	1	-	-	1046078	IT
3	32100-Z25-R20	HARNESS ASSY., MAIN WIRE	1	1	-	IT,ITT	
4	32118-Z25-A60	SHEET, WATER PROOF	1	1	-	IT,ITT	
5	32150-Z25-A60	HARNESS ASSY., CONTROL WIRE	1	1	-	IT,ITT	
6	32196-Z25-A60	SUB CORD ASSY.(A)	2	2	-	IT,ITT	
7	32330-ZA0-890	RECEPTACLE(32A/230V)	1	-	-	1046078	IT
		(ABL SURSUM)	1	-	-	1046079	IT
	32330-Z22-A90	RECEPTACLE(32A/250V)(KEDU) ..	1	-	-	IT	
			-	1	-	IT,ITT	
8	32331-ZB3-690	RECEPTACLE(16A/240V)	2	-	-	IT	
	32330-Z11-A90		-	2	-	IT,ITT	
9	32335-ZC6-670	PACKING	1	-	-	IT	
	32335-Z22-F90		-	1	-	IT,ITT	
10	32335-898-690	PACKING, RECEPTACLE	2	-	-	IT	
	32335-Z11-A90	PACKING	-	2	-	IT,ITT	
11	32345-Z25-R20	PANEL COMP., CONTROL	1	1	-	IT,ITT	
12	32366-Z25-R20	MARK, PANEL	1	1	-	IT,ITT	
13	34110-Z11-A32	UNIT ASSY., GENERATOR CONTROL	1	-	-	IT	
	34110-Z25-F61		-	1	-	IT,ITT	
14	35100-Z11-013	SWITCH ASSY., COMBINATION	1	1	-	IT,ITT	
15	35111-880-013	KEY COMP.	2	2	-	IT,ITT	
16	36214-ZS9-A00	SWITCH COMP., AUTO-THROTTLE ..	1	-	-	1018587	IT
	36214-ZS9-A01		1	-	-	1018588	IT
	36214-Z11-A01	SWITCH COMP., AUTO-THROTTLE	-	1	-	IT,ITT	
		(OTAX)	-	1	-	IT,ITT	

Ref. No.	Part No.	Description	Reqd. QTY			Serial No.	Parts catalogue code
			EU 65 is	EU 65 is1	EU 65 isN1		
17	38206-735-921	FUSE, BLADE(1A)	3	3	-	-----	IT,ITT
18	38240-Z25-A61	PROTECTOR, CIRCUIT(16A)	2	-	-	-----	1016791 IT
	38240-Z25-A62	2	-	-	1016792	1045340 IT
	38240-Z25-A63	2	-	-	1045341	----- IT
			-	2	-	-----	IT,ITT
19	38242-Z25-A61	COVER COMP., CIRCUIT PROTECTOR	2	-	-	-----	1016791 IT
	38242-Z25-A62	2	-	-	1016792	----- IT
			-	2	-	-----	IT,ITT
20	38398-Z25-A60	FILTER, SUB NOISE(AC)	1	1	-	-----	IT,ITT
21	38399-Z25-A60	FILTER, SUB NOISE(AC)	1	1	-	-----	IT,ITT
22	90672-SB2-003	STRAP, CABLE, 105MM(BLACK) ..	4	4	-	-----	IT,ITT
23	91504-SD5-003	CLIP, WASHER MOUTH	6	6	-	-----	IT,ITT
24	91654-Z11-000	GROMMET, CONTROL HARNESS	1	1	-	-----	IT,ITT
25	93500-05008-3J	SCREW, PAN, 5X8	2	2	-	-----	IT,ITT
26	93500-05012-0G	SCREW, PAN, 5X12	2	2	-	-----	IT,ITT
27	93893-05016-17	SCREW-WASHER, 5X16	12	-	-	-----	1046078 IT
			8	-	-	1046079	----- IT
	93893-05020-17	SCREW-WASHER, 5X20	-	8	-	-----	IT,ITT
28	94050-04000	NUT, FLANGE, 4MM	1	1	-	-----	IT,ITT
29	94050-06000	NUT, FLANGE, 6MM	3	3	-	-----	IT,ITT
30	98200-31500	FUSE, BLADE(15A)	1	1	-	-----	IT,ITT
31	93600-05016-0G	SCREW, FLAT, 5X16	4	-	-	1046079	----- IT
			-	4	-	-----	IT,ITT
32	94001-05000	NUT, HEX., 5MM	4	-	-	1046079	----- IT
	94001-05000-0S	-	4	-	-----	IT,ITT
33	94111-05800	WASHER, SPRING, 5MM	4	-	-	1046079	----- IT
			-	4	-	-----	IT,ITT

F-2-7

CONTROL PANEL(RD,RDT)

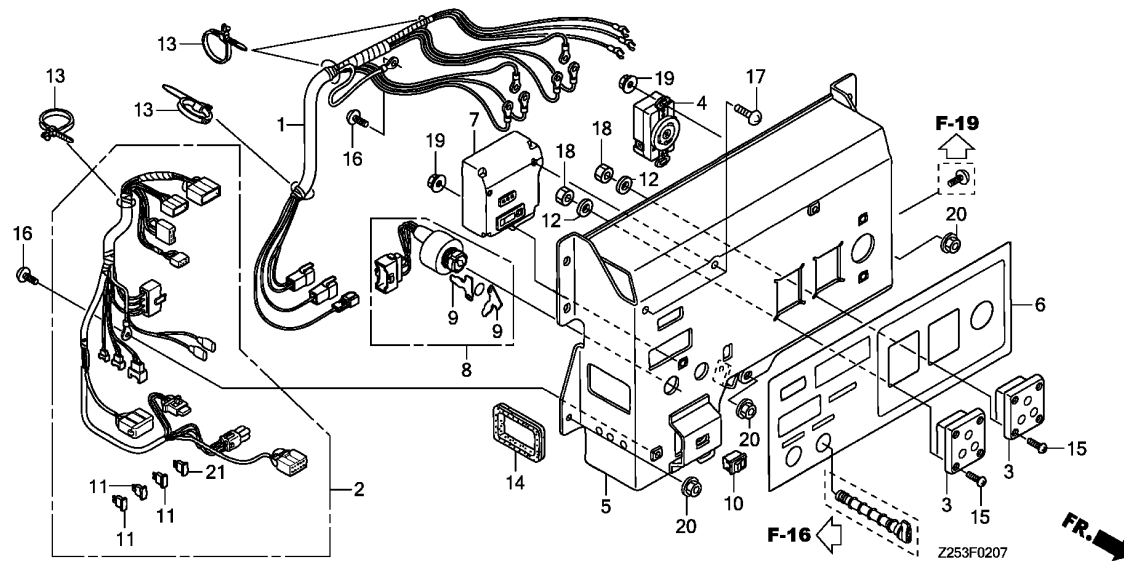
E14



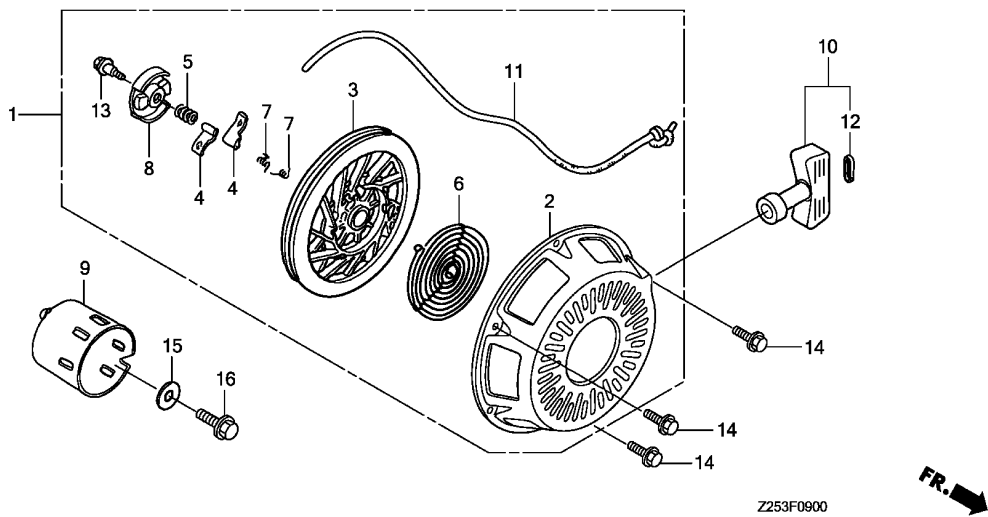
Ref. No.	L.O.N.	(Relative ref. Number) Description	F.R.T.
1	6111C3	HARNESS, MAIN WIRE	0.7
2	6111B9	HARNESS, CONTROL WIRE	0.6
3		(4)	
	6221D5	RECEPTACLE/CONSENT, CONTROL PANEL	0.6
	6221E5	RECEPTACLE/CONSENT, CONTROL PANEL :ALL	0.7
5	6221N9	PANEL, GENERATOR CONTROL	0.8
7	6201C2	CONTROL UNIT, GENERATOR	0.6
8	6151E1	SWITCH, COMBINATION	0.6
10	6151E5	SWITCH, AUTO THROTTLE	0.5
11		(21)	
	8121A7	FUSE, BLADE	0.1

.NOTE: Same time for two units or more

Ref. No.	Part No.	Description	Reqd. QTY			Serial No.	Parts catalogue code
			EU 65 is	EU 65 is1	EU 65 isN1		
1	32100-Z25-R50	HARNESS ASSY., MAIN WIRE	1	-	1	RD,RDT	
2	32150-Z11-A61	HARNESS ASSY., CONTROL WIRE	1	-	1	RD,RDT	
3	32330-ZC5-K40	CONSENT(15A/250V)	2	-	-	1044793	RD
	32330-ZC5-K41	2	-	-	1044794	RD
			-	-	2		
4	32332-ZB4-E00	CONSENT(30A/250V)	1	-	1	RD,RDT	
5	32345-Z25-R50	PANEL COMP., CONTROL	1	-	-	1044793	RD
	32345-Z25-R51	1	-	-	1044794	RD
			-	-	1		
6	32366-Z25-R50	MARK, PANEL(EU-RD)	1	-	-	RD	
	32366-Z25-U50	-	-	1		
7	34110-Z11-A32	UNIT ASSY., GENERATOR CONTROL	1	-	-	RD	
	34110-Z25-F61	-	-	1		
8	35100-Z11-013	SWITCH ASSY., COMBINATION	1	-	1	RD,RDT	
9	35111-880-013	KEY COMP.	2	-	2	RD,RDT	
10	36214-ZS9-A01	SWITCH COMP., AUTO-THROTTLE	1	-	-	RD	
	36214-Z11-A01	SWITCH COMP., AUTO-THROTTLE (OTAX)	-	-	1		
11	38206-735-921	FUSE, BLADE(1A)	3	-	3	RD,RDT	
12	90504-ZC5-N40	WASHER, PLAIN, 3MM	8	-	8	RD,RDT	
13	90672-SB2-003	STRAP, CABLE, 105MM(BLACK)	4	-	4	RD,RDT	
14	91654-Z11-000	GROMMET, CONTROL HARNESS	1	-	1	RD,RDT	
15	93500-03012-1H	SCREW, PAN, 3X12	8	-	8	RD,RDT	
16	93500-05008-3J	SCREW, PAN, 5X8	2	-	2	RD,RDT	
17	93500-05012-0G	SCREW, PAN, 5X12	2	-	2	RD,RDT	
18	94001-03080-0S	NUT, HEX., 3MM	8	-	8	RD,RDT	



Ref. No.	Part No.	Description	Reqd. QTY			Serial No.	Parts catalogue code
			EU 65 is	EU 65 is1	EU 65 isN1		
19	94050-04000	NUT, FLANGE, 4MM	3	-	3	----- RD,RDT	
20	94050-06000	NUT, FLANGE, 6MM	3	-	3	----- RD,RDT	
21	98200-31500	FUSE, BLADE(15A)	1	-	1	----- RD,RDT	



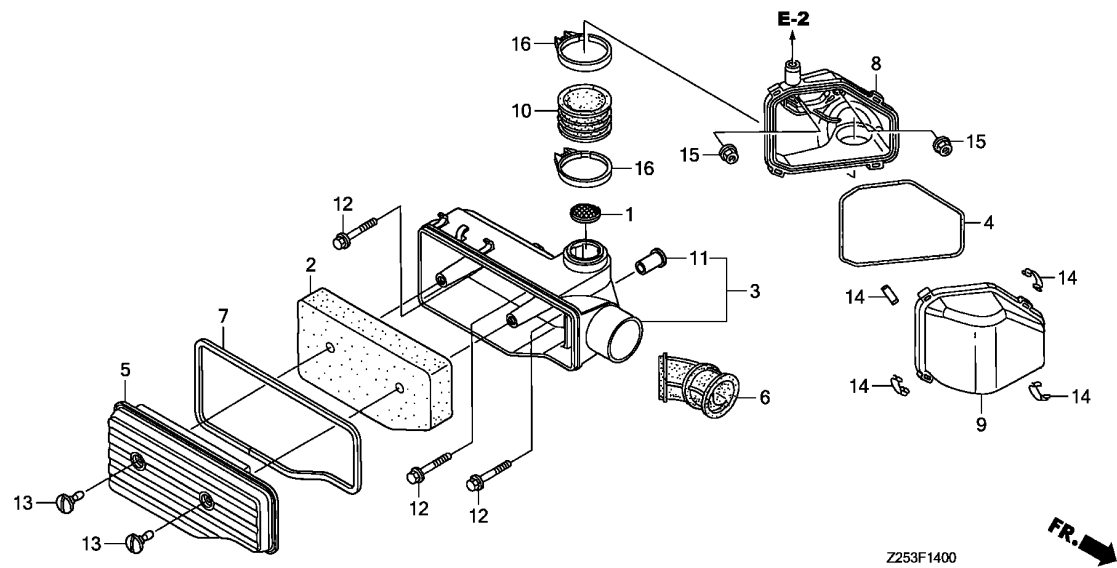
Ref. No.	L.O.N.	(Relative ref. Number) Description	F.R.T.
1	1121B9	STARTER, RECOIL	0.4
3	1121B1	REEL, RECOIL STARTER	0.5
4		(7)	
	1121B0	STARTER RATCHET AND/OR SPRING	0.4
		.NOTE: Same time for two units	
6	1121B7	SPRING, RECOIL STARTER RETURN	0.5
8		(5)	
	1121A4	GUIDE, RATCHET	0.4
9	1121A9	PULLEY, RECOIL STARTER	2.3
		.INCLUDES: Engine removal and installation	
10	1121A3	GRIP, RECOIL STARTER	0.1
11	1121B3	ROPE, RECOIL STARTER	0.5

Z253F0900



3

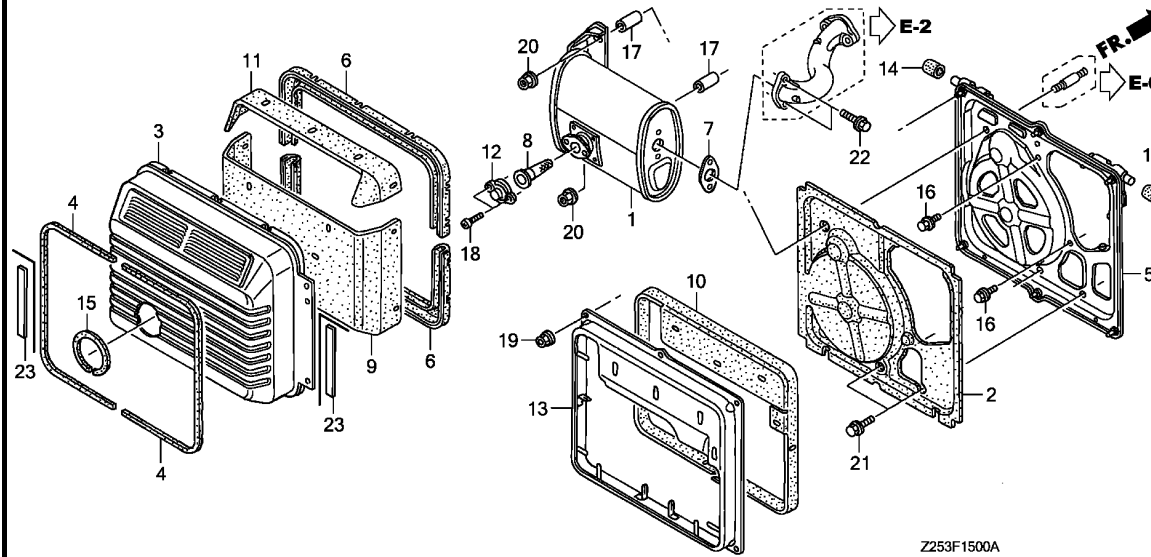
Ref. No.	Part No.	Description	Reqd. QTY			Serial No.	Parts catalogue code
			EU 65 is	EU 65 is1	EU 65 isN1		
1	28400-Z11-003	STARTER ASSY., RECOIL	1	1	1		
2	28410-Z11-003	CASE COMP., RECOIL STARTER ..	1	1	1		
3	28421-ZE3-W01	PULLEY, RECOIL STARTER	1	1	1		
4	28422-ZE2-W01	RATCHET, STARTER	2	2	2		
5	28441-ZE2-W01	SPRING, FRICTION	1	1	1		
6	28442-ZE2-W01	SPRING, STARTER RETURN	1	1	1		
7	28443-ZE2-W01	SPRING, RATCHET	2	2	2		
8	28444-ZE2-W01	RETAINER, SPRING	1	1	1		
9	28451-ZE3-W01	PULLEY, STARTER	1	1	1		
10	28460-Z11-013	GRIP ASSY., STARTER	1	-	1	----- K,LT,RDT	
	28460-Z11-003	1	-	-	----- F,G,GW,IT,L,R,RD,RH,SK,U	
	28460-Z11-013	-	1	-		
11	28462-ZK3-003	ROPE, RECOIL STARTER	1	1	1		
12	28469-ZE2-W01	GRIP, REINFORCEMENT	1	1	1		
13	90004-ZE2-W01	SCREW, CENTER	1	1	1		
14	90013-883-000	BOLT, FLANGE, 6X12(CT200) ..	3	3	3		
15	90409-952-000	WASHER, 10MM	1	1	1		
16	95701-10025-00	BOLT, FLANGE, 10X25	1	1	1		



Ref. No.	L.O.N.	(Relative ref. Number) Description	F.R.T.
1	3121F6	TRAP, FRAME	0.2
2	3121B8	ELEMENT, AIR CLEANER	0.1
		.INCLUDES: Air cleaner element -inspection	
3	3121A5	CASE, AIR CLEANER	0.2
4	3121P8	SEAL, AIR CLEANER CHAMBER	0.1
6	3121P9	RUBBER, AIR CLEANER	0.2
7	3121E9	SEAL, AIR CLEANER COVER	0.1
8	3121P7	CASE, AIR CLEANER CHAMBER	0.2
10	3121K5	TUBE, AIR CLEANER CONNECTING ..	0.2

Ref. No.	Part No.	Description	Reqd. QTY			Serial No.	Parts catalogue code
			EU 65 is	EU 65 is1	EU 65 isN1		
1	17203-ZY1-000	TRAP, FLAME	1	1	1		
2	17211-Z11-000	ELEMENT, AIR CLEANER	1	1	1		
3	17220-Z11-000	CASE COMP., AIR CLEANER	1	1	1		
4	17229-Z25-000	SEAL, AIR CLEANER CHAMBER ...	1	1	1		
5	17231-Z11-010	COVER, AIR CLEANER	1	-	1	----- F,G,GW,IT,K,LT,RD,RDT,RH	
	17231-Z11-000	1	-	-	1009215 L,R,SK,U	
	17231-Z11-010	1	-	-	1009216 L,R,SK,U	
			-	1	-		
6	17232-Z25-000	RUBBER, AIR CLEANER	1	1	1		
7	17233-Z11-000	SEAL, AIR CLEANER COVER	1	1	1		
8	17270-Z25-000	CASE COMP., AIR CLEANER CHAMBER	1	1	1		
9	17273-Z25-010	COVER, AIR CLEANER CHAMBER ..	1	-	1	----- F,G,GW,IT,K,LT,RD,RDT,RH	
	17273-Z25-000	1	-	-	1009215 L,R,SK,U	
	17273-Z25-010	1	-	-	1009216 L,R,SK,U	
			-	1	-		
10	17274-Z25-000	TUBE, AIR CLEANER CONNECTING	1	1	1		
11	19619-ZL8-300	COLLAR, FAN COVER	3	3	3		
12	90018-ZE1-000	BOLT, FLANGE, 6X23(CT200) ...	3	3	3		
13	90028-ZC3-000	BOLT, AIR CLEANER COVER	2	2	2		
14	90659-692-000	CLAMP, CASE	4	4	4		
15	94050-06000	NUT, FLANGE, 6MM	2	2	2		
16	95018-54250	BAND, AIR CLEANER CONNECTING TUBE(54)	2	2	2		

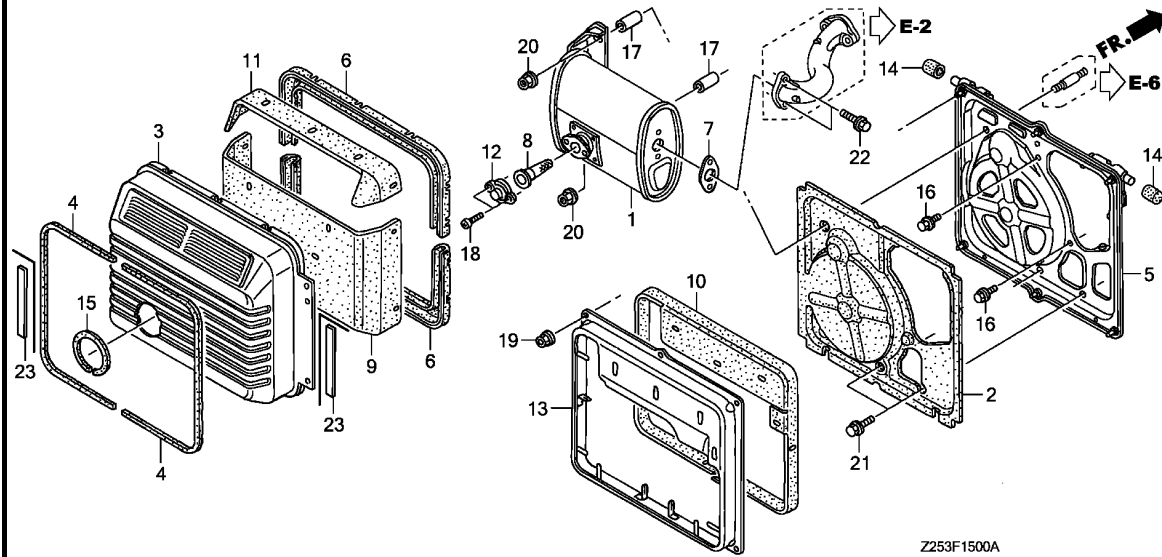




Z253F1500A

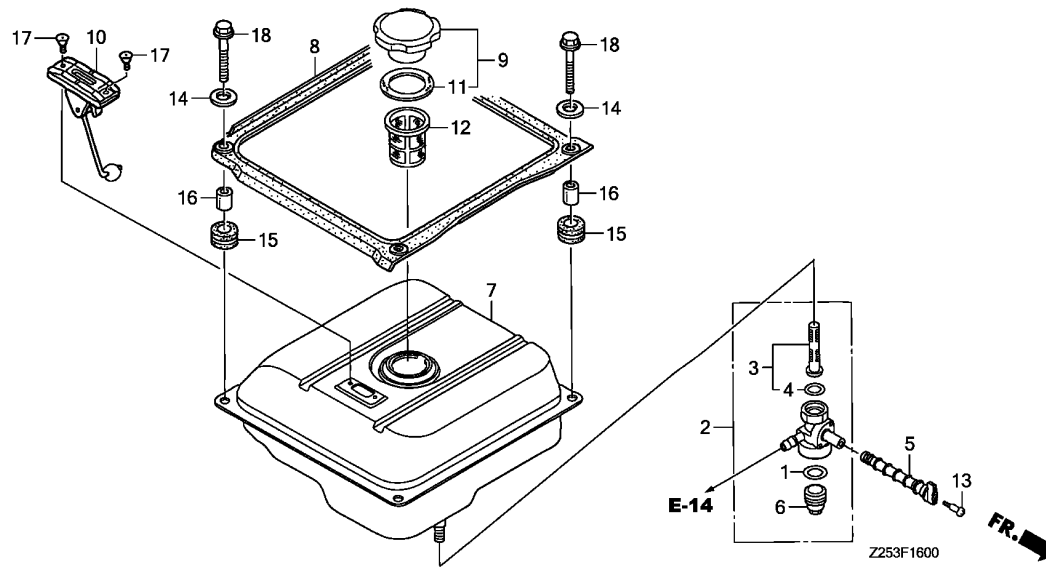
Ref. No.	L.O.N.	(Relative ref. Number) Description	F.R.T.
1	3131C5	MUFFLER, EXHAUST	0.2
2	3131H7	SEPARATOR, MUFFLER :INNER	0.3
3	3131D9	PROTECTOR, EXHAUST MUFFLER :OUTER	0.2
5	3131D8	PROTECTOR, EXHAUST MUFFLER :INNER	0.6
6	3131G6	SEAL, MUFFLER PROTECTOR	0.3
7	3131H9	GASKET, EXHAUST PIPE(A)	0.2
8	3131A1	ARRESTER, SPARK	0.1
9	3131P1	INSULATOR, MUFFLER PROTECTOR (A)	0.2
10	3131P2	INSULATOR, MUFFLER PROTECTOR (B)	0.3
11	3131P3	INSULATOR, MUFFLER PROTECTOR (C)	0.2
12	3131D0	PIPE, EXHAUST TAIL	0.1
13	3131P4	GUIDE, EXHAUST AIR	0.3

Ref. No.	Part No.	Description	Reqd. QTY			Serial No.	Parts catalogue code
			EU 65 is	EU 65 is1	EU 65 isN1		
1	18310-Z25-003	MUFFLER COMP.	1	1	1		
2	18318-Z25-000	SEPARATOR, MUFFLER INNER	1	1	1		
3	18320-Z25-000ZA	PROTECTOR COMP., MUFFLER OUTER *NH105*...MAT BLACK (#15-#20)	1	1	1		
4	18322-Z25-000	SEAL, 10X5X785	2	2	2		
5	18325-Z11-010	PROTECTOR COMP., MUFFLER INNER	1	1	1		
6	18329-Z25-000	SEAL, MUFFLER PROTECTOR	2	2	2		
7	18333-ZB7-800	GASKET, EX. PIPE	1	1	1		
8	18355-Z11-A30	ARRESTER, SPARK	1	1	1		
9	18376-Z11-A60	INSULATOR, MUFFLER PROTECTOR (A)	1	1	1		
10	18377-Z25-000	INSULATOR, MUFFLER PROTECTOR (B)	1	1	1		
11	18378-Z25-000	INSULATOR, MUFFLER PROTECTOR (C)	1	1	1		
12	18390-Z25-000	PIPE COMP., EX. TAIL	1	1	1		
13	18510-Z25-000	GUIDE COMP., EX. AIR	1	1	1		
14	50388-Z11-000	RUBBER, STOPPER	2	2	2		
15	63312-Z25-000	SEAL, 10X8X290	1	1	1		
16	90013-883-000	BOLT, FLANGE, 6X12(CT200) ...	2	2	2		
17	91554-Z25-000	COLLAR, MUFFLER	2	2	2		
18	93500-05016-4J	SCREW, PAN, 5X16	2	2	2		
19	94050-06070	NUT, FLANGE, 6MM	6	6	6		
20	94050-08000	NUT, FLANGE, 8MM	2	2	2		
21	95701-08016-00	BOLT, FLANGE, 8X16	2	2	2		



Ref. No.	Part No.	Description	Reqd. QTY			Serial No.	Parts catalogue code
			EU 65 is	EU 65 is1	EU 65 isN1		
22	95701-08025-00	BOLT, FLANGE, 8X25	2	2	2		
23	18323-Z25-R50	SEAL, 20X6X190	2	-	2	-----	RD,RDT





Ref. No.	L.O.N.	(Relative ref. Number) Description	F.R.T.
1		(6)	
1	3101L6	PACKING, FUEL STRAINER CUP ...	0.1
2	3101A3	COCK, FUEL	0.3
3		(4)	
3	3101D5	SCREEN, FUEL STRAINER	0.3
5	3101E6	LEVER, FUEL COCK	0.1
7	3101H7	TANK, FUEL	0.5
8	3101U2	SEAL, FUEL TANK	0.3
9		(11)	
	3101M7	CAP, FUEL FILLER	0.1
10	6171A1	METER/GAUGE UNIT, FUEL	0.1
12	3101A6	FILTER, FUEL	0.1

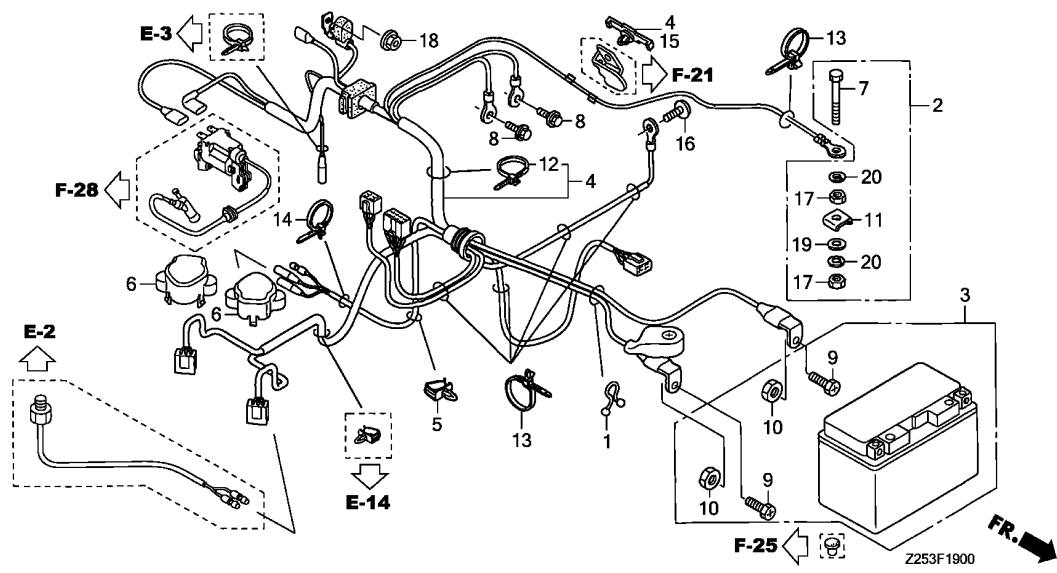
3

Ref. No.	Part No.	Description	Reqd. QTY			Serial No.	Parts catalogue code
			EU 65 is	EU 65 is1	EU 65 isN1		
1	16173-001-004	PACKING, FUEL STRAINER CUP ..	1	1	1		
2	16950-Z11-003	COCK ASSY., FUEL	1	1	1		
3	16952-ZB4-005	SCREEN SET, FUEL STRAINER ...	1	1	1		
4	16958-397-771	O-RING, 9.0X1.3	1	1	1		
5	16963-Z11-000	LEVER, FUEL COCK	1	1	1		
6	16967-GA6-671	CUP, FUEL STRAINER	1	1	1		
7	17510-Z25-000ZA	TANK COMP., FUEL *R280*.....POWER RED	1	1	1		
8	17537-Z25-000	SEAL, FUEL TANK	1	1	1		
9	17620-899-013	CAP COMP., FUEL FILLER	1	1	1		
10	17630-Z11-A31	METER ASSY., FUEL	1	1	1		
11	17631-899-000	PACKING, FUEL FILLER CAP	1	1	1		
12	17670-ZB6-000	FILTER COMP., FUEL	1	1	1		CL,CLT,F,FT,G,GT,GW,GWT,IT,ITT,K,KT,L,L9T,LT,LTT,R,RD,RDT,RH,RHT RT,S,ST,U,UT SK,SKT
	17670-899-000	1	1	-		
13	90105-ZT3-000	SCREW, PAN, 4X19	1	1	1		
14	90501-Z15-000	WASHER, 6MM	4	4	4		
15	90851-898-000	RUBBER, TANK CUSHION	4	4	4		
16	91551-Z25-000	COLLAR, TANK CUSHION	4	4	4		
17	93600-05010-0A	SCREW, FLAT, 5X10	2	2	2		
18	95701-06025-07	BOLT, FLANGE, 6X25	4	4	4		

F-19

ENGINE WIRE HARNESS

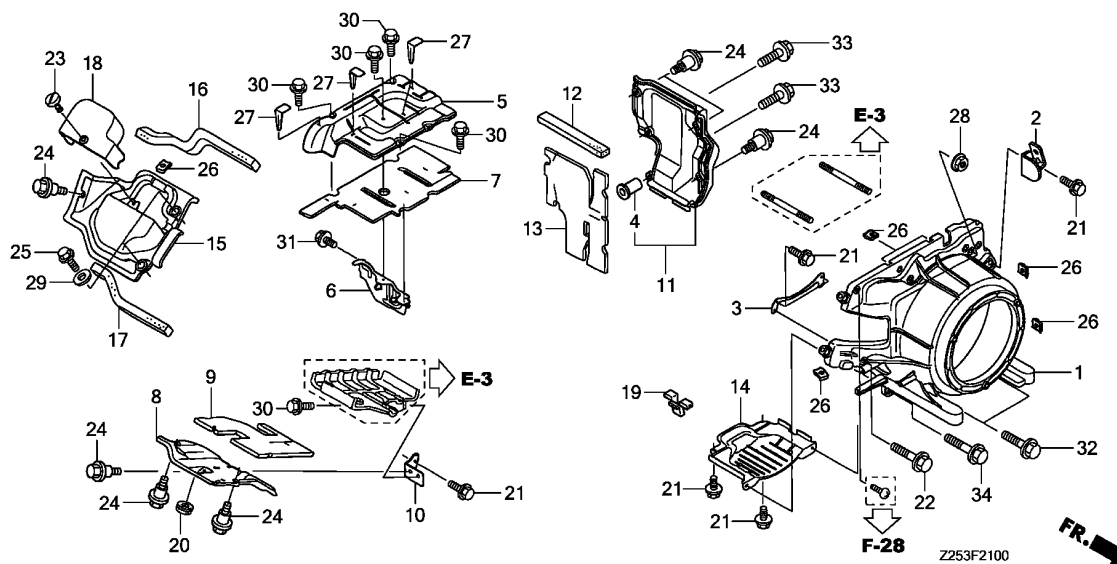
F 5



Ref. No.	L.O.N.	(Relative ref. Number) Description	F.R.T.
2	6221E1	TERMINAL SET, EARTH	0.2
3	6101A7	BATTERY	0.1
4	6111C0	HARNESS, ENGINE WIRE	1.5
6	3111F9	COVER, THROTTLE MOTOR	0.1
		.NOTE: Same time for two units	
	8101BB	COVER, CHOKE MOTOR	0.1
		.NOTE: Same time for two units	

Ref. No.	Part No.	Description	Reqd. QTY			Serial No.	Parts catalogue code
			EU 65 is	EU 65 is1	EU 65 isN1		
1	15712-PD1-811	CLIP, BREATHER TUBE PROTECTOR	1	1	1		
2	31428-899-840	TERMINAL SET, EARTH	1	1	1		
3	31500-MCR-D02	BATTERY(YTZ14S)(GS YUASA) ...	1	-	1		
	31500-Z25-C61	-	1	-	-----	CL,CLT,F,FT,G,GT,GW,GWT,IT,ITT
	31500-MCR-D02	-	1	-	-----	K,KT,L,L9T,LT,LTT,R,RH,RHT,RT,S,SK,SKT,ST,U,UT
4	32110-Z25-A00	HARNESS ASSY., ENGINE WIRE ..	1	1	1	-----	K,KT,R,RD,RDT,RH,RHT,RT,S,SK,SKT,ST,U,UT
	32110-Z25-A60	1	1	-	-----	CL,CLT,F,FT,G,GT,GW,GWT,IT,ITT
	32110-Z25-A30	1	1	-	-----	L,L9T,LT,LTT
5	32172-GJ1-003	CLIP B, HARNESS	1	1	1		
6	36168-Z11-003	COVER, THROTTLE MOTOR	2	2	2		
7	90011-899-840	BOLT, HEX., 6X28	1	1	1		
8	90013-883-000	BOLT, FLANGE, 6X12(CT200) ...	2	2	2		
9	90122-KCW-007	BOLT, BATTERY TERMINAL	2	2	2		
10	90306-KCW-007	NUT, BATTERY TERMINAL	2	2	2		
11	90501-ZA7-640	RETAINER, 6MM	1	1	1		
12	90672-SA0-003	STRAP, CABLE, 118MM(BLACK) ..	1	1	1		
13	90672-SB2-003	STRAP, CABLE, 105MM(BLACK) ..	5	5	5		
14	91507-P01-003	CLIP B, HARNESS BAND (DARK BROWN)(129.4MM)	1	1	1		
15	91507-693-003	CLIP, WIRE HARNESS(BLACK) (50MM)(HARNESS TAPING)	1	1	1		
16	93500-05008-3J	SCREW, PAN, 5X8	1	1	1		
17	94001-06390-0S	NUT, HEX., 6MM	2	2	2		
18	94070-08080	NUT-WASHER, 8MM	1	1	1		
19	94101-06800	WASHER, PLAIN, 6MM	1	1	1		
20	94111-06800	WASHER, SPRING, 6MM	2	2	2		

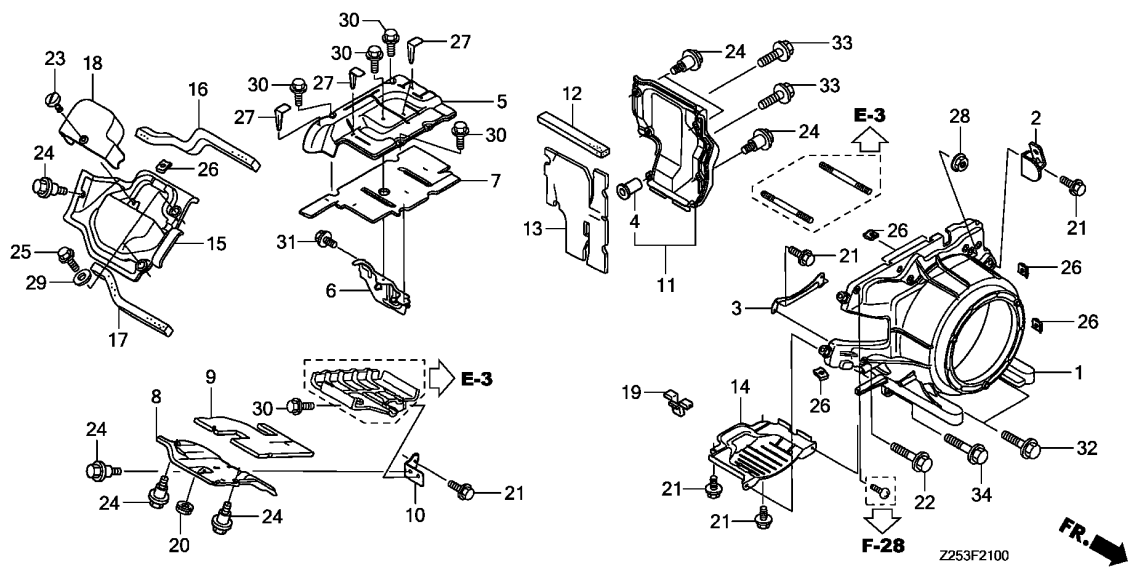
3



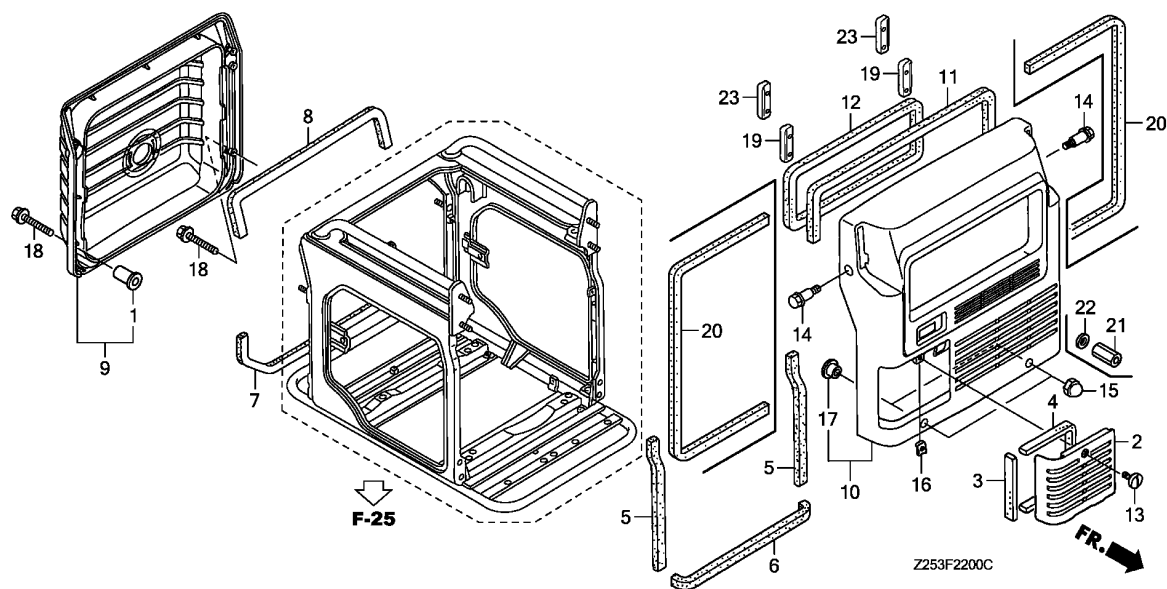
Ref. No.	L.O.N.	(Relative ref. Number) Description	F.R.T.
1	1141G8	COVER, ENGINE COOLING FANINCLUDES: Engine removal and installation	2.2
5	4141E2	SHROUD, ENGINE :UPPER	0.3
7	4141J2	INSULATOR, SHROUD :UPPER	0.3
8	4141E0	SHROUD, ENGINE :LOWER	0.3
9	4141J1	INSULATOR, SHROUD :LOWER	0.3
11	4141D9	SHROUD, ENGINE :LEFT	0.1
13	4141J3	INSULATOR. SIDE COVER :LEFT ..	0.1
14	4141F3	SHROUD, ENGINE UNDER	1.7
15		.INCLUDES: Engine removal and installation (16,17)	
18	4141F4	SHROUD, HEAD COVER	0.1
	4131L7	COVER, SPARK PLUG MAINTENANCE	0.1

3

Ref. No.	Part No.	Description	Reqd. QTY			Serial No.	Parts catalogue code
			EU 65 is	EU 65 is1	EU 65 isN1		
1	19611-Z11-405	COVER, FAN	1	1	1		
2	19612-Z25-000	PLATE, R. SIDE	1	1	1		
3	19617-Z11-000	BRACKET, FAN COVER	1	1	1		
4	19619-ZL8-300	COLLAR, FAN COVER	2	2	2		
5	19631-Z11-000	SHROUD, UPPER	1	1	1		
6	19634-Z11-000	BRACKET, UPPER SHROUD	1	1	1		
7	19637-Z11-000	INSULATOR, UPPER SHROUD	1	1	1		
8	19641-Z11-010	SHROUD, LOWER	1	-	1	----- F,G,GW,IT,K,LT,RD,RDT,RH	
	19641-Z11-000	1	-	-	1009300 L,R,SK,U	
	19641-Z11-010	1	-	-	1009301 L,R,SK,U	
			-	1	-		
9	19647-Z11-010	INSULATOR, SHROUD LOWER	1	-	1	----- K,LT,RD,RDT,RH	
	19647-Z11-000	1	-	-	1013731 F,G,GW,IT,L,R,SK,U	
	19647-Z11-010	1	-	-	1013732 F,G,GW,IT,L,R,SK,U	
			-	1	-		
10	19649-Z11-000	BRACKET, LOWER SHROUD	1	1	1		
11	19665-Z11-000	SHROUD COMP., R. SIDE	1	1	1		
12	19666-Z11-000	SEAL, R. SIDE COVER	1	1	1		
13	19668-Z11-000	INSULATOR, R. SIDE COVER	1	1	1		
14	19671-Z11-000	SHROUD, UNDER	1	1	1		
15	19681-Z11-000	SHROUD, HEAD COVER	1	1	1		
16	19683-Z11-000	SEAL, HEAD COVER SHROUD UPPER	1	1	1		
17	19684-Z11-000	SEAL, HEAD COVER SHROUD LOWER	1	1	1		
18	63347-Z11-000	COVER, PLUG	1	1	1		
19	63714-Z25-000	RUBBER, OIL CHECK	1	1	1		
20	64266-MG9-770	GROMMET, SPEAKER PANEL	1	1	1		



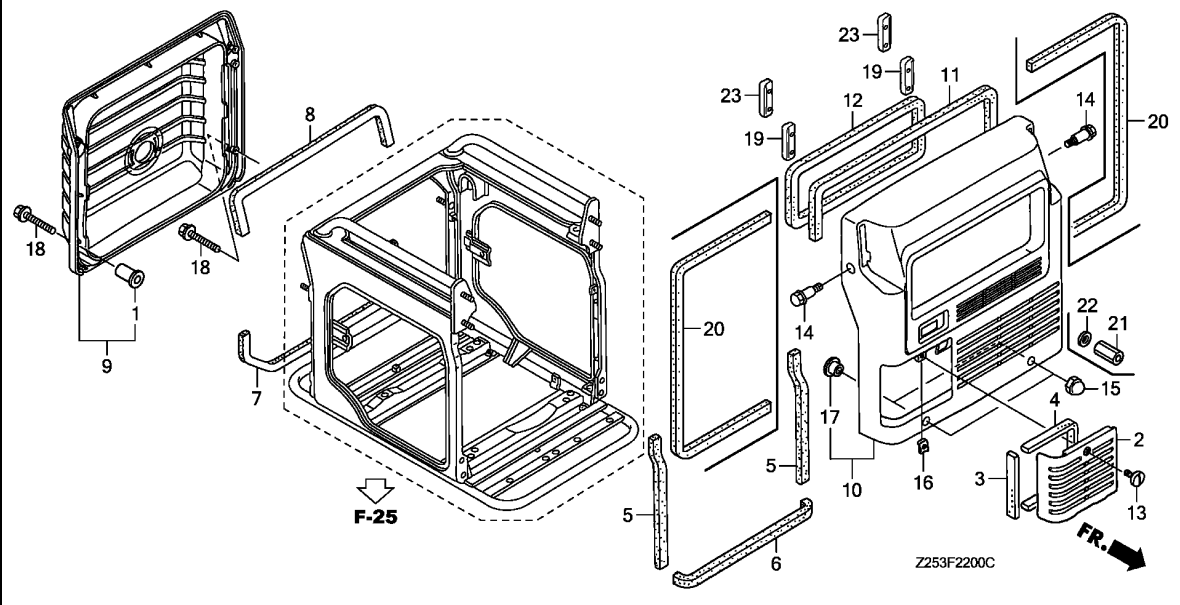
Ref. No.	Part No.	Description	Reqd. QTY			Serial No.	Parts catalogue code
			EU 65 is	EU 65 is1	EU 65 isN1		
21	90013-883-000	BOLT, FLANGE, 6X12(CT200) ...	6	6	6		
22	90018-ZE1-000	BOLT, FLANGE, 6X23(CT200) ...	1	1	1		
23	90102-Z07-003	SCREW, SPECIAL, 6X16	1	-	1	-----	K,LT,RD,RDT,RH
	90028-ZC3-000	BOLT, AIR CLEANER COVER	1	-	-	1017785	F,G,GW,IT,L,R,SK,U
	90102-Z07-003	SCREW, SPECIAL, 6X16	1	-	-	1017786	F,G,GW,IT,L,R,SK,U
			-	1	-		
24	90103-Z11-000	BOLT, SPECIAL, 6MM	7	7	7		
25	90110-Z11-000	BOLT, FLANGE, 6X12(CT200) ...	2	2	2		
26	90320-747-000	NUT, SPRING, 6MM	6	6	6		
27	90686-ZG3-300	CLIP, INSULATOR BIND(A)	4	4	4		
28	94050-06000	NUT, FLANGE, 6MM	2	2	2		
29	94103-06700	WASHER, PLAIN, 6MM	2	2	2		
30	95701-06012-00	BOLT, FLANGE, 6X12	6	6	6		
31	95701-06012-07	BOLT, FLANGE, 6X12	1	1	1		
32	95701-06020-00	BOLT, FLANGE, 6X20	2	2	2		
33	95701-06022-07	BOLT, FLANGE, 6X22	2	2	2		
34	95701-06030-00	BOLT, FLANGE, 6X30	2	2	2		



Ref. No.	L.O.N.	(Relative ref. Number) Description	F.R.T.
2		(3,4) COVER, MAINTENANCE	0.1
9		(7,8) COVER, GENERATOR :REAR	0.1
10		(5,6,11,12,20) COVER, GENERATOR :FRONT	0.2

3

Ref. No.	Part No.	Description	Reqd. QTY			Serial No.	Parts catalogue code
			EU 65 is	EU 65 is1	EU 65 isN1		
1	17208-GR1-010	COLLAR, AIR CLEANER SETTING	6	6	6		
2	63151-Z11-000ZA	COVER, MAINTENANCE *NH314*.....CONDUCT GRAY	1	1	1		
3	63153-Z11-000	SEAL A, MAINTENANCE COVER	1	1	1		
4	63154-Z11-000	SEAL B, MAINTENANCE COVER	1	1	1		
5	63163-Z25-000	SEAL, 10X6X320	2	2	2		
6	63164-Z25-000	SEAL, 10X10X500	1	1	1		
7	63166-Z25-000	SEAL, 10X6X605	1	1	-	-----	CL,CLT,F,FT,G,GT,GW,GWT,IT,ITT,K,KT,L,L9T,LT,LTT,R,RH,RHT,RT,S,SK SKT,ST,U,UT
	63166-Z25-R50	SEAL, RR. UNDER	1	-	1	-----	RD,RDT
8	63167-Z25-000	SEAL, 10X5X640	1	1	1		
9	63310-Z25-000ZA	COVER COMP., RR. *NH314*.....CONDUCT GRAY	1	1	1		
10	63510-Z11-000ZA	COVER COMP., FR. *NH314*.....CONDUCT GRAY	1	1	1		
11	63522-Z11-000	SEAL A, FR. COVER	1	1	-	-----	CL,CLT,F,FT,G,GT,GW,GWT,IT,ITT,K,KT,L,L9T,LT,LTT,R,RH,RHT,RT,S,SK SKT,ST,U,UT
12	63524-Z11-000	SEAL C, FR. COVER	1	1	1		
13	90102-Z07-003	SCREW, SPECIAL, 6X16	1	-	1	-----	K,LT,RD,RDT,RH
	90028-ZC3-000	BOLT, AIR CLEANER COVER	1	-	-	1017785	F,G,GW,IT,L,R,SK,U
	90102-Z07-003	SCREW, SPECIAL, 6X16	1	-	-	1017786	F,G,GW,IT,L,R,SK,U
			-	1	-		
14	90104-Z11-000	BOLT, SPECIAL, 6X26	2	2	2		
15	90301-693-000	NUT, OPEN STAY, 6MM	2	2	-	-----	CL,CLT,F,FT,G,GT,GW,GWT,IT,ITT,K,KT,L,L9T,LT,LTT,R,RH,RHT,RT,S,SK SKT,ST,U,UT
16	90320-747-000	NUT, SPRING, 6MM	1	1	1		

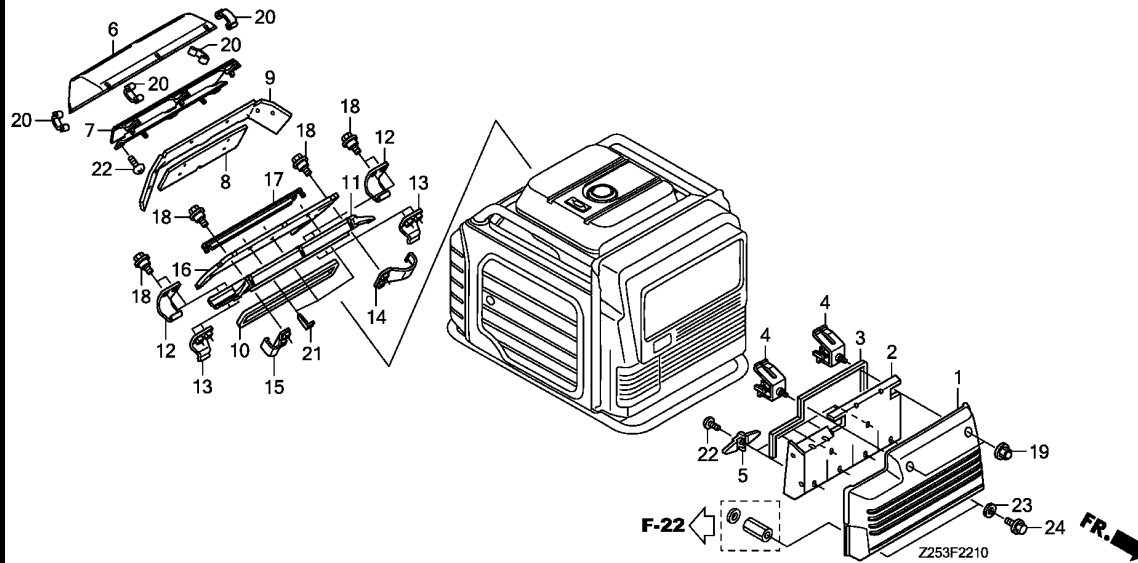


Ref. No.	Part No.	Description	Reqd. QTY			Serial No.	Parts catalogue code
			EU 65 is	EU 65 is1	EU 65 isN1		
17	90505-Z11-000	COLLAR, FR. COVER	2	2	2		
18	95701-06030-07	BOLT, FLANGE, 6X30	2	2	2		
19	63526-Z11-A60	SEAL D, FR. COVER	2	2	2	-----	CL,CLT,F,FT,G,GT,GW,GWT,IT,ITT,RD,RDT
20	63522-Z25-R50	SEAL A, FR. COVER	2	-	2	-----	RD,RDT
21	90301-Z25-R50	NUT(M6X24.3)	2	-	2	-----	RD,RDT
22	90482-567-000	WASHER, SPECIAL, 6MM	2	-	2	-----	RD,RDT
23	63526-Z11-A60	SEAL D, FR. COVER	2	-	2	-----	RD,RDT

F-22-10

AIR DUCT

F10



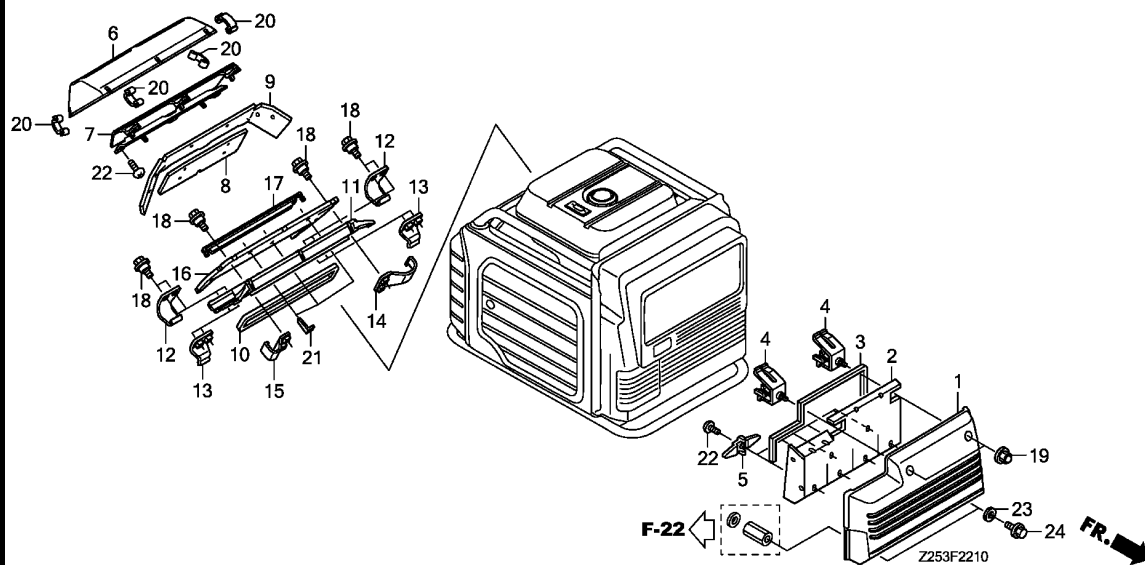
Ref. No.	L.O.N.	(Relative ref. Number) Description	F.R.T.
1		(3)	
1	3131R7	DUCT, FRONT AIR	0.2
2	3131R8	INSULATOR, FRONT AIR DUCT	0.2
6		(7)	
6	3131R2	DUCT, EXHAUST MUFFLER :UPPER .	0.3
8	3131R3	INSULATOR, EXHAUST DUCT :LOWER	0.2
9	3131R4	INSULATOR, EXHAUST DUCT :UPPER	0.2
11		(10)	
11	3131R5	DUCT, EXHAUST MUFFLER :UNDER .	0.3
16	3131R6	INSULATOR, EXHAUST DUCT :UNDER	0.2

Ref. No.	Part No.	Description	Reqd. QTY			Serial No.	Parts catalogue code
			EU 65 is	EU 65 is1	EU 65 isN1		
1	19651-Z25-R50ZA	DUCT, FR. AIR *NH314*.....CONDUCT GRAY	1	-	1	-----	RD,RDT
2	19652-Z25-R50	INSULATOR, FR. AIR DUCT	1	-	1	-----	RD,RDT
3	19653-Z25-R50	SEAL, FR. AIR DUCT	1	-	1	-----	RD,RDT
4	19654-Z25-R50	BRACKET COMP., AIR GUIDE	2	-	2	-----	RD,RDT
5	19656-Z25-R50	CLIP, INSULATOR	6	-	6	-----	RD,RDT
6	63350-Z25-R50ZA	DUCT, EX. UPPER *NH314*.....CONDUCT GRAY	1	-	1	-----	RD,RDT
7	63351-Z25-R50	GUIDE COMP., EX. DUCT AIR ...	1	-	1	-----	RD,RDT
8	63352-Z25-R50	INSULATOR A, EX. DUCT UPPER .	1	-	1	-----	RD,RDT
9	63353-Z25-R50	INSULATOR B, EX. DUCT UPPER .	1	-	1	-----	RD,RDT
10	63354-Z25-R50	SEAL, EX. DUCT UNDER	1	-	1	-----	RD,RDT
11	63355-Z25-R50ZA	DUCT, EX. UNDER *NH314*.....CONDUCT GRAY	1	-	1	-----	RD,RDT
12	63356-Z25-R50	BRACKET A, EX. DUCT	2	-	2	-----	RD,RDT
13	63357-Z25-R50	BRACKET B, EX. DUCT	2	-	2	-----	RD,RDT
14	63358-Z25-R50	BRACKET C, R. EX. DUCT	1	-	1	-----	RD,RDT
15	63359-Z25-R50	BRACKET C, L. EX. DUCT	1	-	1	-----	RD,RDT
16	63362-Z25-R50	INSULATOR, EX. DUCT UNDER ...	1	-	1	-----	RD,RDT
17	63363-Z25-R50	HOLDER, EX. UNDER INSULATOR .	1	-	1	-----	RD,RDT
18	90109-434-000	BOLT, SPECIAL, 6MM	8	-	8	-----	RD,RDT
19	90301-693-000	NUT, OPEN STAY, 6MM	2	-	2	-----	RD,RDT
20	90659-692-000	CLAMP, CASE	6	-	6	-----	RD,RDT
21	90686-ZG3-300	CLIP, INSULATOR BIND(A)	3	-	3	-----	RD,RDT
22	93913-25110	SCREW, TAPPING, 5X10(P0)	12	-	12	-----	RD,RDT

F-22-10

AIR DUCT

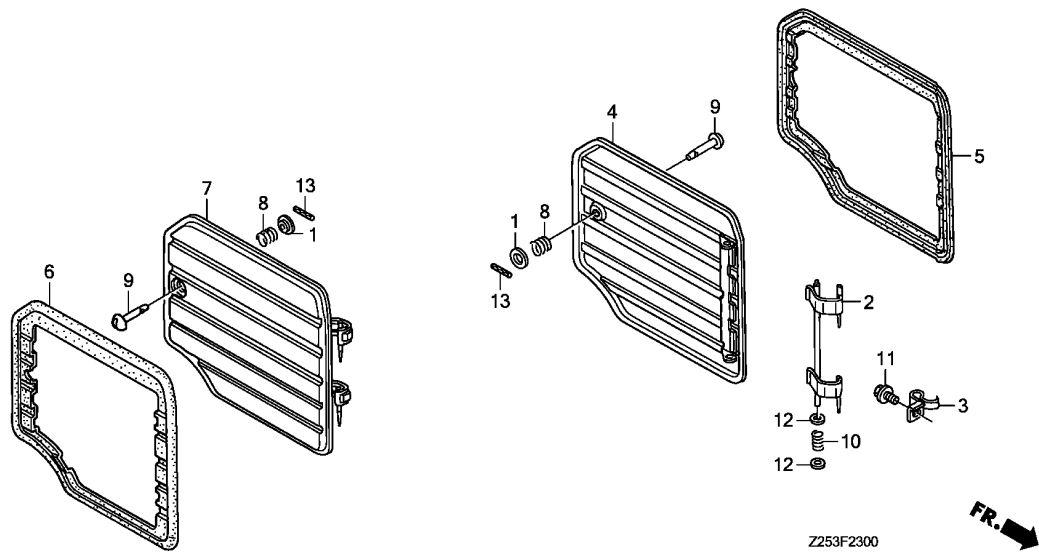
F11



Ref. No.	Part No.	Description	Reqd. QTY			Serial No.	Parts catalogue code
			EU 65 is	EU 65 is1	EU 65 isN1		

23	94103-06700	WASHER, PLAIN, 6MM	2	-	2	-----	RD,RDT
24	95701-06012-07	BOLT, FLANGE, 6X12	2	-	2	-----	RD,RDT

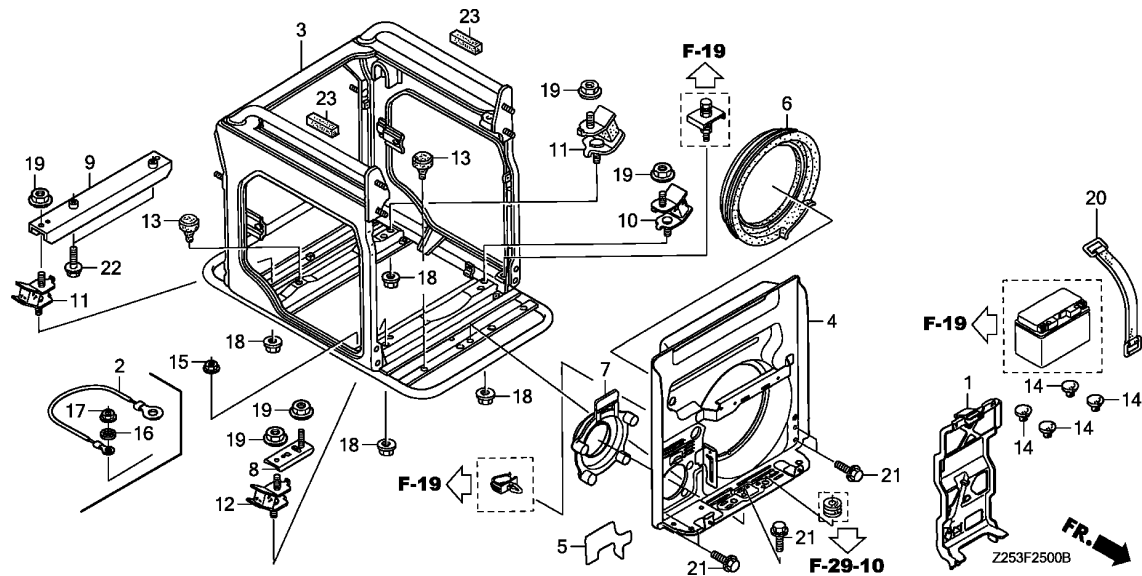
3



Ref. No.	L.O.N.	(Relative ref. Number) Description	F.R.T.
2	4131AU	HINGE, MAINTENANCE COVER :LEFT	0.1
3	4131AV	SPRING, HINGE PLATE	0.1
4	4131AS	COVER, MAINTENANCE :LEFT	0.3
5	4141U5	SEAL, MAINTENANCE COVER :LEFT	0.2
6	4141U6	SEAL, MAINTENANCE COVER :RIGHT	0.1
7	4131AT	COVER, MAINTENANCE :RIGHT	0.3
8	4131AW	SPRING, MAINTENANCE COVER LOCK :LEFT	0.2
	4131AX	SPRING, MAINTENANCE COVER LOCK :RIGHT	0.2

3

Ref. No.	Part No.	Description	Reqd. QTY			Serial No.	Parts catalogue code
			EU 65 is	EU 65 is1	EU 65 isN1		
1	50129-862-000	RETAINER, LOCK SPRING	2	2	2		
2	63140-Z25-000	HINGE COMP., R. MAINTENANCE COVER	1	1	1		
3	63142-Z25-000	SPRING, HINGE PLATE	1	1	1		
4	63151-Z25-000ZA	COVER COMP., R. MAINTENANCE *R280*.....POWER RED	1	1	1		
5	63153-Z25-000	SEAL, R. MAINTENANCE COVER ..	1	1	1		
6	63154-Z25-000	SEAL, L. MAINTENANCE COVER ..	1	1	1		
7	63171-Z25-000ZA	COVER COMP., L. MAINTENANCE *R280*.....POWER RED	1	1	1		
8	63173-Z25-000	SPRING, COVER LOCK	2	2	2		
9	63175-Z25-000	PIN, COVER LOCK	2	2	2		
10	63191-Z25-000	SPRING, MAINTENANCE COVER ...	1	1	1		
11	90002-MC7-000	BOLT, FLANGE, 5X8	1	1	1		
12	90405-463-000	WASHER, 8MM	2	2	2		
13	94305-40203	PIN, SPRING, 4X20	2	2	2		



Ref. No.	L.O.N.	(Relative ref. Number) Description	F.R.T.
1	4141F7	BRACKET, WIRE HARNESS CLIP ...	0.3
2	6111A4	CABLE, EARTH	1.0
3	4101H6	FRAME, MAIN	2.0
.INCLUDES: Engine removal and installation			
4	4101H5	FRAME, FRONT	1.1
6	4141F5	RUBBER A, SEPARATOR SEAL	1.0
7	4141F6	RUBBER B, SEPARATOR SEAL	0.2
9	4101T9	BRACKET, ENGINE MOUNTING :REAR	1.6
.INCLUDES: Engine removal and installation			
10	4101V0	RUBBER, BOTTOM :LEFT FRONT ...	1.9
.INCLUDES: Engine removal and installation			
.NOTE: Same time for two units			
11	4101V3	RUBBER, BOTTOM :LEFT REAR	1.9
.INCLUDES: Engine removal and installation			
.NOTE: Same time for two units			
	4101V4	RUBBER, BOTTOM :RIGHT REAR ...	1.9
.INCLUDES: Engine removal and installation			
.NOTE: Same time for two units			
+12	4101V1	RUBBER, BOTTOM :RIGHT FRONT ..	1.9

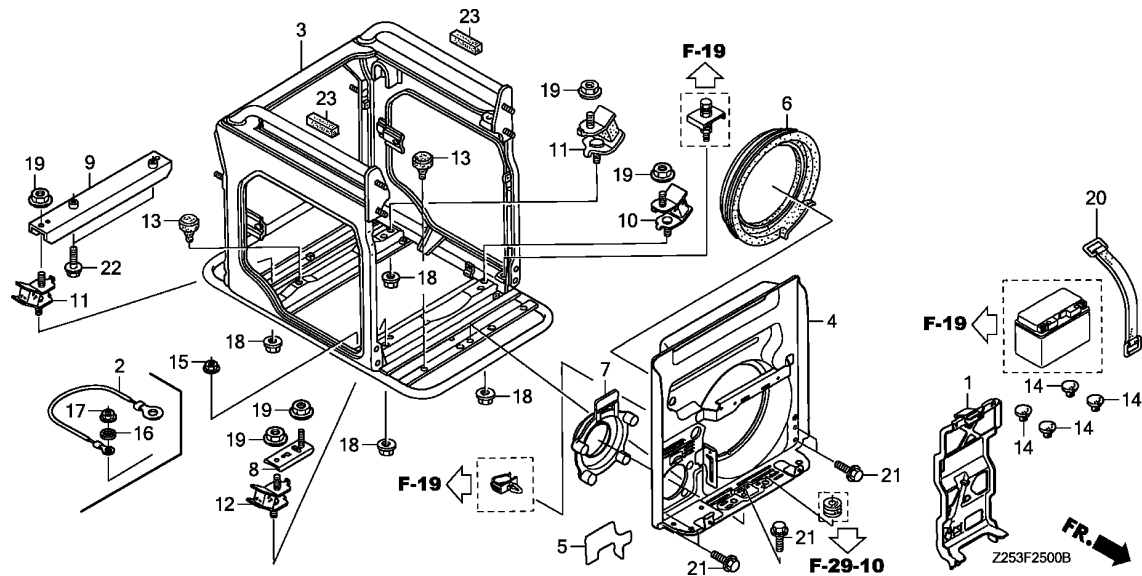
Ref. No.	Part No.	Description	Reqd. QTY			Serial No.	Parts catalogue code
			EU 65 is	EU 65 is1	EU 65 isN1		
1	32103-Z11-000	BRACKET, WIRE HARNESS CLIP ..	1	1	1		
2	32610-Z11-A00	CABLE COMP., SUB EARTH	1	1	-	-----	CL,CLT,F,FT,G,GT,GW,GWT,IT,ITT,L,L9T,LT,LTT
	32610-Z11-A40	1	1	-	-----	U,UT
3	50305-Z25-000ZA	FRAME COMP., GENERATOR					
		NH105...MAT BLACK (#15-#20)	1	1	1		
4	63640-Z25-000	FRAME COMP., FR.	1	1	1		
5	63642-Z25-010	SEAL, FR. FRAME	1	-	1	-----	K,LT,RDT
	63642-Z25-000	1	-	-	1027912	F,G,GW,IT,L,R,RD,RH,SK,U
	63642-Z25-010	1	-	-	1027913	F,G,GW,IT,L,R,RD,RH,SK,U
		-	1	-		
6	63776-Z11-000	RUBBER A, SEPARATOR SEAL	1	1	1		
7	63778-Z11-000	RUBBER B, SEPARATOR SEAL	1	1	1		
8	68322-Z11-000ZA	BRACKET, FR. ENGINE MOUNT					
		NH105...MAT BLACK (#15-#20)	1	1	1		
9	68323-Z11-000	BRACKET, RR. ENGINE MOUNT ...	1	1	1		
10	68325-ZC2-000	RUBBER, BOTTOM	1	1	-		
	68325-Z25-R50	-	-	1		
11	68325-Z11-000	RUBBER, BOTTOM	2	2	-		
	68325-Z25-U50	-	-	2		
12	68326-Z11-000	RUBBER, L. BOTTOM	1	1	-		
	68326-Z25-U50	-	-	1		
13	68346-ZC3-700	RUBBER, STOPPER	3	3	3		
14	83618-GF0-751	RUBBER, BATTERY BOX	4	4	4		
15	90201-ZM0-000	NUT, FLANGE, 6MM	1	1	1	-----	K,KT,R,RD,RDT,RH,RHT,RT,S,SK,SKT,ST
16	90432-898-000	WASHER, LOCK, 6MM	1	1	-	-----	CL,CLT,F,FT,G,GT,GW,GWT,IT,ITT,L,L9T,LT,LTT,U,UT
17	94050-06000	NUT, FLANGE, 6MM	1	1	-	-----	CL,CLT,F,FT,G,GT,GW,GWT,IT,ITT,L,L9T,LT,LTT,U,UT



F-25

FRAME

F14



Ref. No.	L.O.N.	(Relative ref. Number) Description	F.R.T.
----------	--------	------------------------------------	--------

+12		.INCLUDES: Engine removal and installation .NOTE: Same time for two units	
-----	--	--	--

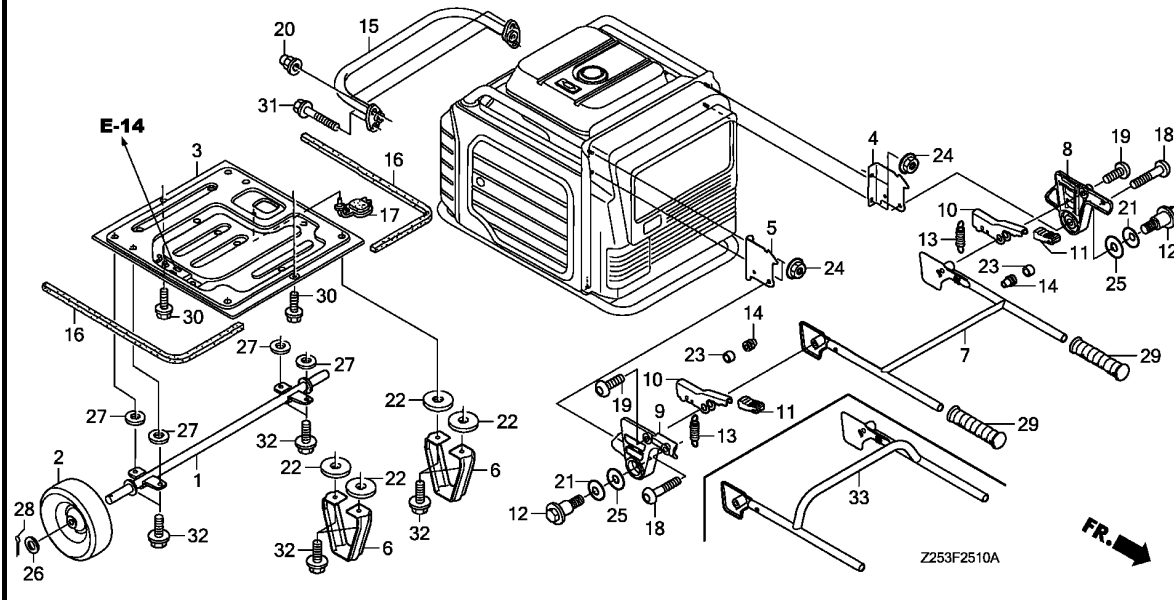
3

Ref. No.	Part No.	Description	Reqd. QTY			Serial No.	Parts catalogue code
			EU 65 is	EU 65 is1	EU 65 isN1		
18	94050-08000	NUT, FLANGE, 8MM	4	4	4		
19	94050-10000	NUT, FLANGE, 10MM	5	5	5		
20	95012-17001	BAND F, BATTERY(155MM)	1	1	1		
21	95701-08012-00	BOLT, FLANGE, 8X12	5	5	5		
22	95701-08030-00	BOLT, FLANGE, 8X30	2	2	2		
23	63168-Z25-R50	SEAL, FRAME UPPER	2	-	2	-----	RD,RDT

F-25-10

HANDLE/WHEEL

F15



Ref. No.	L.O.N.	(Relative ref. Number) Description	F.R.T.
1	2091E4	SHAFT, WHEEL	0.3
2	7101B4	WHEEL :LEFT	0.2
	7101B4A	.Replace one add	0.1
	7101B5	WHEEL :RIGHT	0.2
	7101B5A	.Replace one add	0.1
3	4101CG	PLATE, UNDER	0.5
6	4101V5	STAND :LEFT	0.2
	4101V5A	.Replace one add	0.1
	4101V6	STAND :RIGHT	0.2
	4101V6A	.Replace one add	0.1
7		(33)	
	8101J5	PIPE, HANDLE	0.3
8	8101P0	HOLDER, HANDLE :LEFT	0.1
	8101POA	.Replace right handle holder add	0.1
9	8101P1	HOLDER, HANDLE :RIGHT	0.1
	8101P1A	.Replace left handle holder add	0.1
13	4131AQ	SPRING, HANDLE LEVER :LEFT	0.1
	4131AQA	.Replace right handle lever spring add	0.1
	4131AR	SPRING, HANDLE LEVER :RIGHT	0.1
	4131ARA	.Replace left handle lever spring add	0.1
15	4101U0	PIPE, GUARD :REAR	0.1

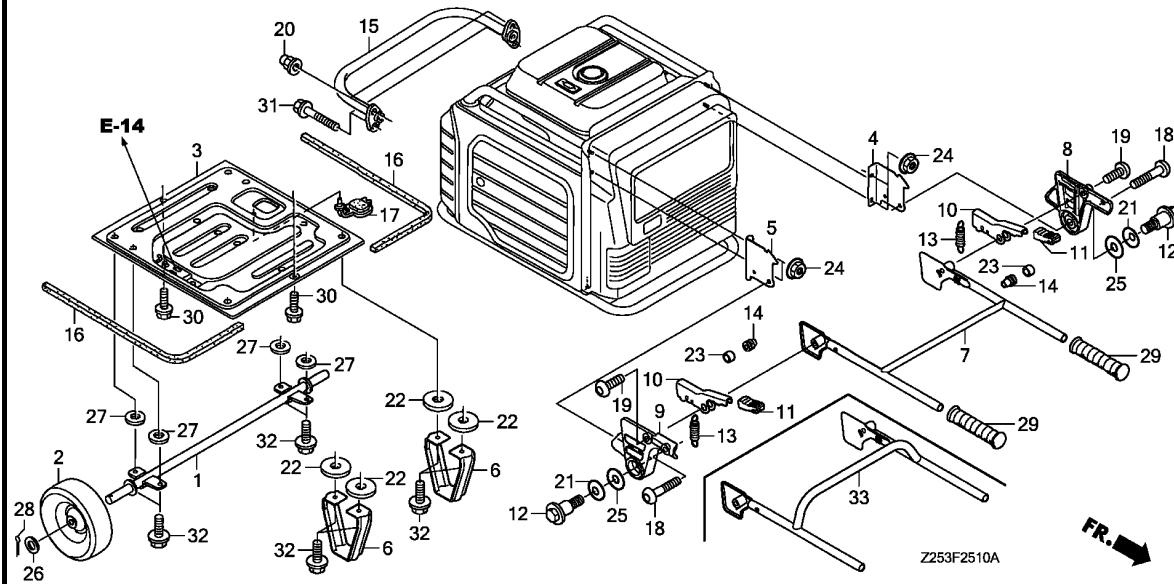
Ref. No.	Part No.	Description	Reqd. QTY			Serial No.	Parts catalogue code
			EU 65 is	EU 65 is1	EU 65 isN1		
1	42310-Z25-000	SHAFT COMP., WHEEL	1	1	1		
2	42710-Z11-003	WHEEL COMP., 250X60 (QINGDAO HUATIAN HAND TRUCK)	2	-	2	-----	----- K,LT,RDT
	42710-899-801	WHEEL COMP., 10"X2.75" (GLEASON)	2	-	-	1047714	F,G,GW,IT,L,R,RD,RH,SK,U
	42710-Z11-003	WHEEL COMP., 250X60 (QINGDAO HUATIAN HAND TRUCK)	2	-	-	1047715	----- F,G,GW,IT,L,R,RD,RH,SK,U
3	50323-Z25-000	PLATE, UNDER	1	1	1		
4	50337-Z11-000	BRACKET, R. HANDLE	1	1	1		
5	50338-Z11-000	BRACKET, L. HANDLE	1	1	1		
6	51511-Z11-000ZA	STAND *NH105*...MAT BLACK (#15-#20)	2	2	2		
7	53110-Z11-000ZA	PIPE COMP., HANDLE *NH105*...MAT BLACK (#15-#20)	1	1	-	-----	----- CL,CLT,F,FT,G,GT,GW,GWT,IT,ITT,K,KT,L,L9T,LT,LTT,R,RH,RHT,RT,S,SK SKT,ST,U,UT
8	53112-Z11-000	HOLDER, R. HANDLE	1	1	1		
9	53113-Z11-000	HOLDER, L. HANDLE	1	1	1		
10	53114-Z11-000	LEVER COMP., HANDLE	2	2	2		
11	53115-Z11-000	RUBBER, GRIP	2	2	2		
12	53116-Z11-000	BOLT, HANDLE HOLDER	2	2	2		
13	53117-Z11-000	SPRING, HANDLE LEVER	2	2	2		
14	53118-Z11-000	RUBBER, STOPPER	2	2	2		
15	53170-Z25-000ZA	PIPE COMP., RR. *NH105*...MAT BLACK (#15-#20)	1	1	1		
16	63165-Z25-000	SEAL, 8X8X705	2	2	2		



F-25-10

HANDLE/WHEEL

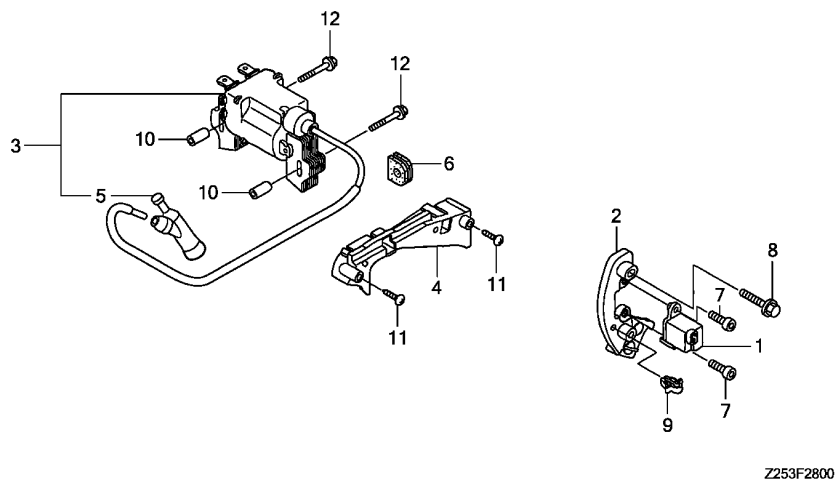
F16



Ref. No.	L.O.N.	(Relative ref. Number) Description	F.R.T.
29	4131E0	GRIP, HANDLE :LEFT	0.1
		.NOTE: Same time for two units	
	4131E1	GRIP, HANDLE :RIGHT	0.1
		.NOTE: Same time for two units	

3

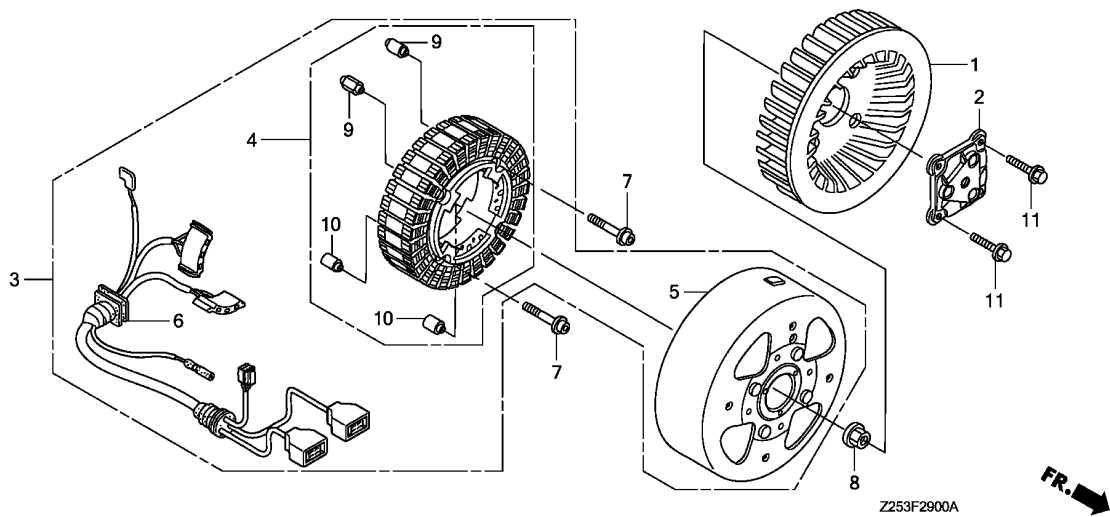
Ref. No.	Part No.	Description	Reqd. QTY			Serial No.	Parts catalogue code
			EU 65 is	EU 65 is1	EU 65 isN1		
17	63713-Z25-000	PLUG, OIL DRAIN	1	1	1		
18	90109-Z11-000	BOLT, SOCKET, 8X45	2	2	2		
19	90128-KET-900	BOLT, SOCKET, 8X22	2	2	2		
20	90301-693-000	NUT, OPEN STAY, 6MM	2	2	2		
21	90503-Z11-000	WASHER, SPRING	2	2	2		
22	90516-Z25-000	WASHER, PLAIN, 10.3X34	4	4	4		
23	91555-Z11-000	COLLAR, HANDLE	2	2	2		
24	94050-08000	NUT, FLANGE, 8MM	4	4	4		
25	94101-12000	WASHER, PLAIN, 12MM	2	2	2		
26	94102-20000	WASHER, PLAIN, 20MM	2	2	2		
27	94103-08800	WASHER, PLAIN, 8MM	4	4	4		
28	94201-40280	PIN, SPLIT, 4.0X28	2	2	2		
29	95011-14100	GRIP D, R. HANDLE	2	2	2		
30	95701-06016-00	BOLT, FLANGE, 6X16	2	2	2		
31	95701-06030-07	BOLT, FLANGE, 6X30	2	2	2		
32	95701-08025-00	BOLT, FLANGE, 8X25	8	8	8		
33	53110-Z25-R50	PIPE COMP., HANDLE	1	-	1	-----	RD,RDT



Ref. No.	L.O.N.	(Relative ref. Number) Description	F.R.T.
1	6141B6	GENERATOR, IGNITION PULSEINCLUDES: Engine removal and installation	2.3
3	6141A5	COIL, IGNITION(ONE)	0.8
4	6141C2	CLAMPER, HIGH TENSION CORD ...	0.3
5	6141B8	TERMINAL, HIGH TENSION	0.1

Ref. No.	Part No.	Description	Reqd. QTY			Serial No.	Parts catalogue code
			EU 65 is	EU 65 is1	EU 65 isN1		
1	30300-HA0-033	GENERATOR ASSY., PULSE(TEC) -	1	1	1		
2	30312-Z11-000	BRACKET, PULSER COIL	1	-	-		
	30312-Z11-010	-	1	1		
3	30500-Z11-013	COIL ASSY., IGNITION	1	-	1	----- F,G,GW,IT,K,LT,RD,RDT,RH	
	30500-Z11-003	1	-	-	----- 1006354 L,R,SK,U	
	30500-Z11-013	1	-	-	----- 1006355 L,R,SK,U	
		-	1	-		
4	30524-Z11-000	CLAMPER, HIGH TENSION CORD ..	1	1	1		
5	30700-Z1T-003	CAP ASSY., NOISE SUPPRESSOR -	1	1	1		
6	31512-Z11-000	GROMMET, CORD	1	1	1		
7	90049-KBH-000	BOLT, SOCKET, 5X14	2	2	2		
8	90121-952-000	BOLT, FLANGE, 6X25(CT200) ...	2	2	2		
9	90660-ZA0-600	CLIP, ENGINE KILL SWITCH CORD	1	1	1		
10	91501-ZL8-000	COLLAR, 6.6X13.8X14.5	2	2	2		
11	93913-25410	SCREW, TAPPING, 5X16(PO)	2	2	2		
12	95801-06045-00	BOLT, FLANGE, 6X45	2	2	2		





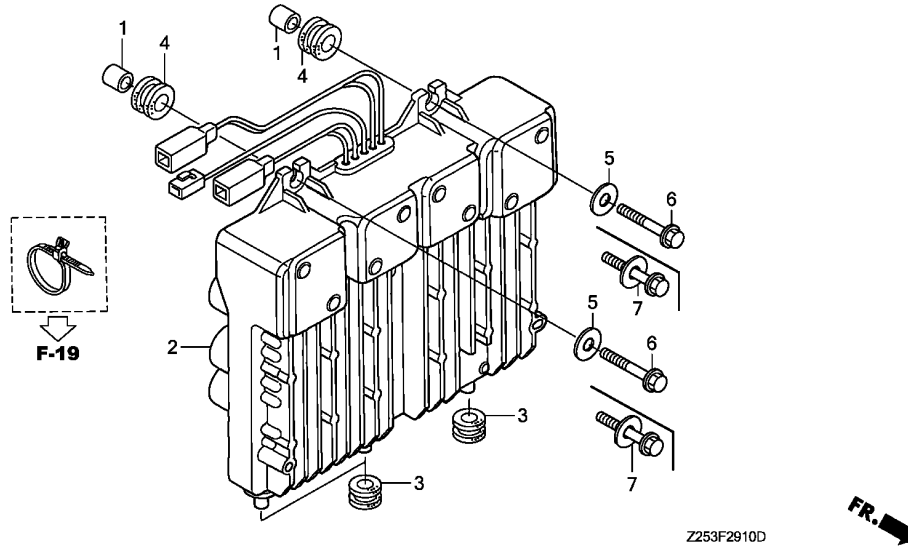
Ref. No.	L.O.N.	(Relative ref. Number) Description	F.R.T.
1	6201B7	FAN, GENERATOR COOLINGINCLUDES: Engine removal and installation	2.3
2	6201C4	ADAPTER, RECOIL PULLEYINCLUDES: Engine removal and installation	2.3
3	6201A4	GENERATOR ASSEMBLYINCLUDES: Engine removal and installation	2.7
4	6201B9	STATOR, GENERATORINCLUDES: Engine removal and installation	2.7
5	6201A9	ROTOR, GENERATORINCLUDES: Engine removal and installation	2.5
6	6201B8	HARNESS, GENERATOR WIREINCLUDES: Engine removal and installation	2.7

Ref. No.	Part No.	Description	Reqd. QTY			Serial No.	Parts catalogue code
			EU 65 is	EU 65 is1	EU 65 isN1		
1	19510-Z11-000	FAN COMP., COOLING	1	1	1		
2	28453-Z11-010	ADAPTER, RECOIL PULLEY	1	1	1		
3	31000-Z11-A31	GENERATOR ASSY.(###)	1	-	1	-----	K,LT,RDT
	31000-Z11-A30	1	-	-	1040989	L,R,RD,RH,SK,U
	31000-Z11-A31	1	-	-	1040990	L,R,RD,RH,SK,U
4	31018-Z11-A30	CORE SET, STATOR COIL	1	1	1	-----	K,KT,L,L9T,LT,LTT,R,RH,RHT,RT,S,SK,SKT,ST,U,UT
	31018-Z25-A60	1	1	1	-----	K,KT,L,L9T,LT,LTT,R,RD,RDT,RH,RHT,RT,S,SK,SKT,ST,U,UT
5	31130-Z11-A00	ROTOR COMP.	1	1	1	-----	CL,CLT,F,FT,G,GT,GW,GWT,IT,ITT
6	32158-Z11-A31	HARNESS ASSY., GENERATOR WIRE	1	-	1	-----	K,LT,RDT
	32158-Z11-A30	1	-	-	1040989	L,R,RD,RH,SK,U
	32158-Z25-A60	1	-	-	1045801	F,G,GW,IT
	32158-Z11-A31	1	-	-	1040990	L,R,RD,RH,SK,U
		1	-	-	1045802	F,G,GW,IT
7	90102-Z11-000	BOLT, FLANGE SOCKET, 6X78 (CT200)	4	4	4		
8	90201-ZE3-790	NUT, SPECIAL, 16MM	1	-	-		
	90201-ZE3-V00	-	1	1		
9	91551-Z03-000	COLLAR, STATOR(6.3X13X21.5) .	2	2	2		
10	91552-Z03-000	COLLAR, STATOR(6.3X13X16.5) .	2	2	2		
11	95701-06025-00	BOLT, FLANGE, 6X25	4	4	4		

F-29-10

INVERTER

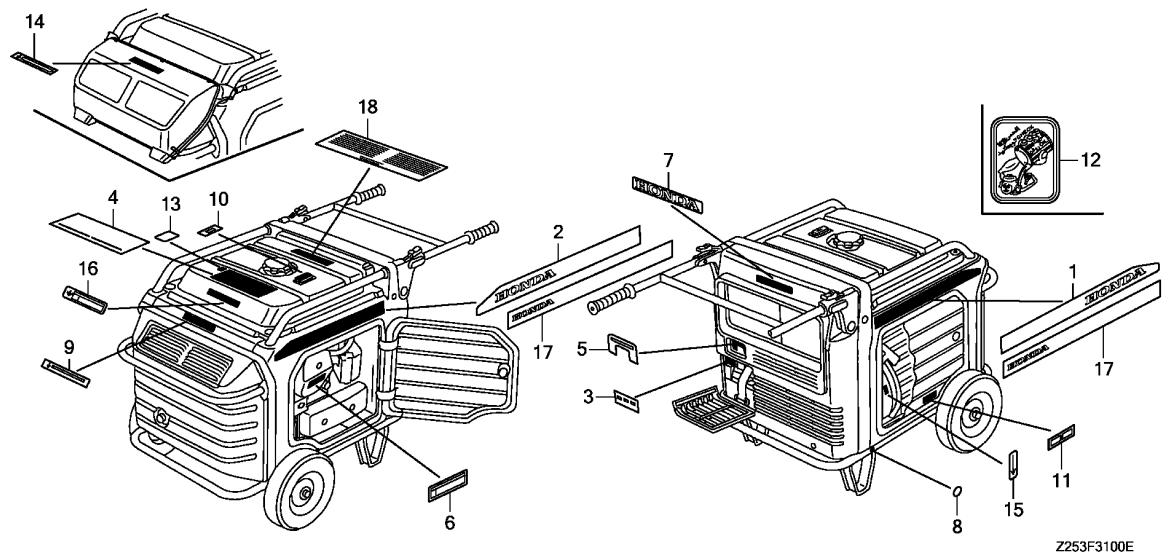
G 3



Ref. No.	L.O.N.	(Relative ref. Number) Description	F.R.T.
2	6221F7	INVERTER UNIT, GENERATOR	0.5
3	6221G3	RUBBER, INVERTER UNIT :LOWER . .NOTE: Same time for two units or more	0.3
4	6221G2	RUBBER, INVERTER UNIT :UPPER . .NOTE: Same time for two units	0.3

Ref. No.	Part No.	Description	Reqd. QTY			Serial No.	Parts catalogue code
			EU 65 is	EU 65 is1	EU 65 isN1		
1	17272-ZC3-300	COLLAR, IN. JOINT	2	2	2		
2	31310-Z25-R50	INVERTER UNIT COMP.	1	1	1	-----	RD,RDT,RH,RHT,S,ST
	31310-Z25-A60	1	1	-	-----	CL,CLT,F,FT,G,GT,GW,GWT,IT,ITT
	31310-Z25-B60	1	1	-	-----	K,KT,R,RT,SK,SKT
	31310-Z25-A30	1	1	-	-----	L,L9T,LT,LTT,U,UT
3	90851-898-000	RUBBER, TANK CUSHION	3	3	3		
4	91651-ZS9-000	RUBBER, INVERTER UNIT	2	2	2		
5	94103-06000	WASHER, PLAIN, 6MM	2	-	-	1009555	L,R,SK,U
6	95701-06025-00	BOLT, FLANGE, 6X25	2	-	-	1009555	L,R,SK,U
7	90013-ZW1-000	BOLT-WASHER, 6X25	2	-	2	-----	F,G,GW,IT,K,LT,LD,RDT,RH
			2	-	-	1009556	L,R,SK,U
			-	2	-		

3

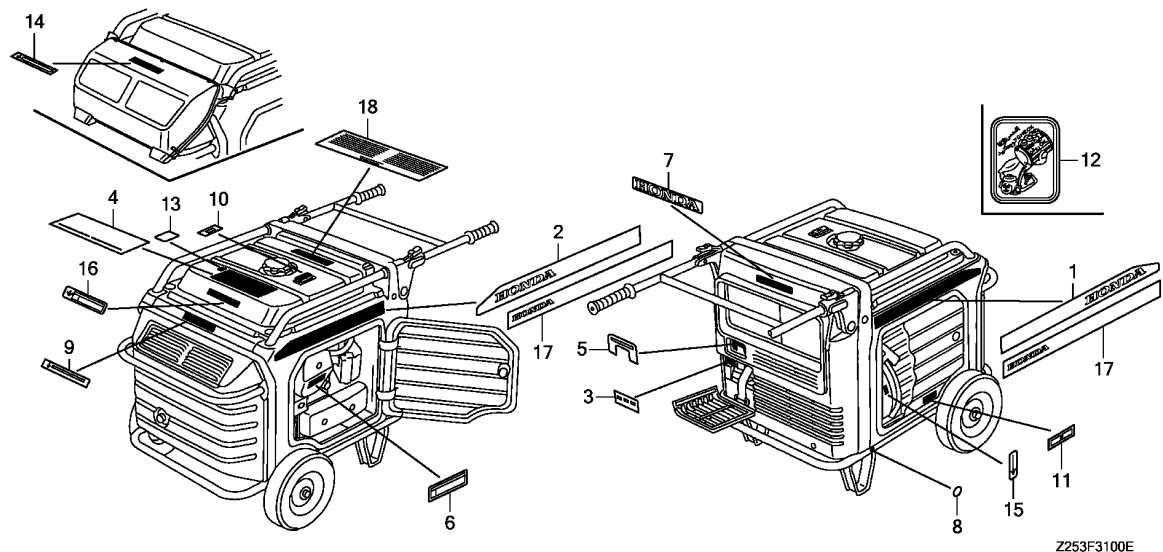


Ref. L.O.N. (Relative ref. Number) F.R.T.
No. Description

NO INFORMATION

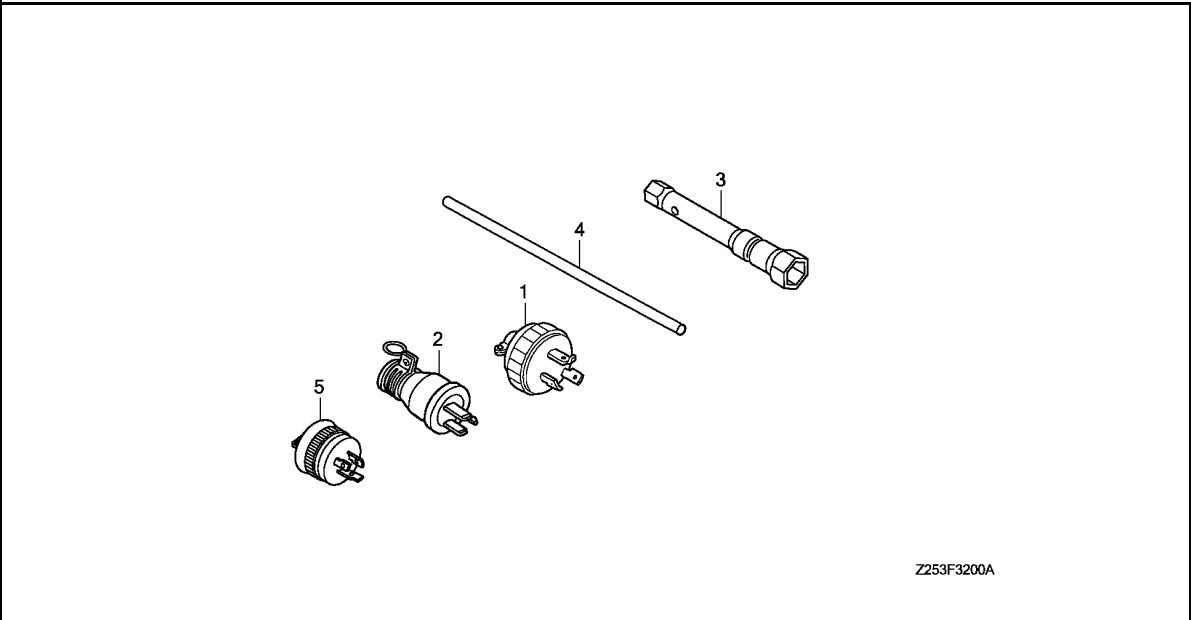
3

Ref. No.	Part No.	Description	Reqd. QTY			Serial No.	Parts catalogue code
			EU 65 is	EU 65 is1	EU 65 isN1		
1	87101-Z25-A61	MARK, EMBLEM(R.)	1	-	-	-	K,LT
	87101-Z25-A60	1	-	-	1027912	F,G,GW,IT,L,R,RD,RH,SK,U
	87101-Z25-A61	1	-	-	1027913	F,G,GW,IT,L,R,RD,RH,SK,U
2	87102-Z25-A61	MARK, EMBLEM(L.)	1	-	-	-	K,LT
	87102-Z25-A60	1	-	-	1027912	F,G,GW,IT,L,R,RD,RH,SK,U
	87102-Z25-A61	1	-	-	1027913	F,G,GW,IT,L,R,RD,RH,SK,U
3	87117-Z11-A00	MARK, BRANCH FUSE	1	1	1	-	-
4	87150-Z11-A70	MARK, CAUTION	1	1	1	-	K,KT,L,L9T,R,RD,RDT,RT,S,ST
	87150-Z25-U80	1	1	-	-	LT,LTT
	87150-Z11-S60	1	1	-	-	RH,RHT
	87150-Z11-R10	1	1	-	-	SK,SKT
	87150-Z22-A30	MARK, CAUTION(E)	1	-	-	1013098	U
	87150-Z25-A60	MARK, CAUTION	1	-	-	1045164	F,G,GW,IT
	87150-Z11-A30	MARK, CAUTION(E)	1	-	-	1013099	U
	87150-Z25-A61	MARK, CAUTION(EC)	1	-	-	1045165	F,G,GW,IT
	87150-Z11-A30	MARK, CAUTION(E)	-	1	-	-	CL,CLT,F,FT,G,GT,GW,GWT,IT,ITT
5	87264-Z11-A70	MARK, PANEL SWITCH	1	1	1	-	U,UT
	87264-Z11-A60	1	1	-	-	K,KT,R,RD,RDT,RT,S,SK,SKT,ST,U,UT
	87264-Z11-A30	1	1	-	-	CL,CLT,F,FT,G,GT,GW,GWT,IT,ITT
	87264-Z25-U80	1	1	-	-	L,L9T
	87264-Z11-S60	1	1	-	-	LT,LTT
		1	1	-	-	RH,RHT
6	87511-ZT3-S20	MARK, CAUTION VOLTAGE	1	1	-	-	SK,SKT
7	87531-Z11-A00	MARK, HONDA	1	1	1	-	-
8	87534-892-640	MARK, EARTH	1	1	1	-	-
9	87539-Z25-A41	MARK, EX. CAUTION	1	1	1	-	K,KT,L,L9T,R,RD,RDT,RT,S,ST
	87539-Z25-A60	1	1	-	-	CL,CLT,F,FT,G,GT,GW,GWT,IT,ITT
	87539-Z25-R60	1	1	-	-	RH,RHT



Ref. No.	Part No.	Description	Reqd. QTY			Serial No.	Parts catalogue code
			EU 65 is	EU 65 is1	EU 65 isN1		
(9)	87539-Z25-R10	MARK, EX. CAUTION	1	1	-	-----	SK,SKT
	87539-Z25-A30	1	-	-	1008010	U
	87539-Z25-A31	1	-	-	1008011	U
			-	1	-	-----	U,UT
10	87565-ZB4-A00	PLATE, FUEL INDICATION	1	1	1		
11	87594-Z25-A00	MARK, OIL CAUTION	1	1	1		
12	87541-ZB4-000	MARK, OIL CHECK	1	-	-	1045164	F
13	87709-Z07-S50	MARK, RECYCLE	1	1	-	-----	GW,GWT
14	87539-Z25-A41	MARK, EX. CAUTION	1	-	-	-----	RD
15	87178-Z32-000	MARK, DIRECTION	1	1	-	-----	K,KT
16	87539-ZS9-R10	MARK, EX. CAUTION	1	1	-	-----	LT,LTT
17	87101-Z25-F60	MARK, EMBLEM	-	2	2		
18	87114-ZS9-R90	LABEL, WARNING	-	1	-	-----	CL,CLT





Ref. No.	L.O.N.	(Relative ref. Number) Description	F.R.T.
NO INFORMATION			

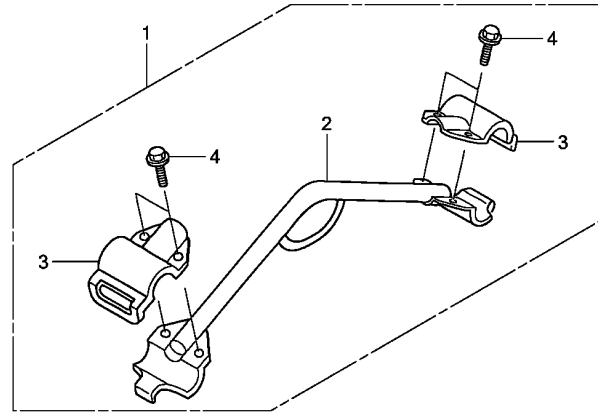
3

Ref. No.	Part No.	Description	Reqd. QTY			Serial No.	Parts catalogue code
			EU 65 is	EU 65 is1	EU 65 isN1		
1	32310-ZD8-F61	PLUG ASSY. (20A/250V)	2	2	-	-----	K,KT,R,RH,RHT,RT,S,ST
2	32310-836-000	PLUG ASSY., CONSENT (15A/125V)	2	2	-	-----	L,L9T,LT,LTT
3	89216-Z25-000	WRENCH, BOX (P21X12)	1	1	1		
4	99005-01000	BAR A, HANDLE	1	1	1		
5	32310-Z07-C70	PLUG ASSY. (30A-250V)	1	-	1	-----	RD,RDT

FOP-1

HANGER KIT

G 7

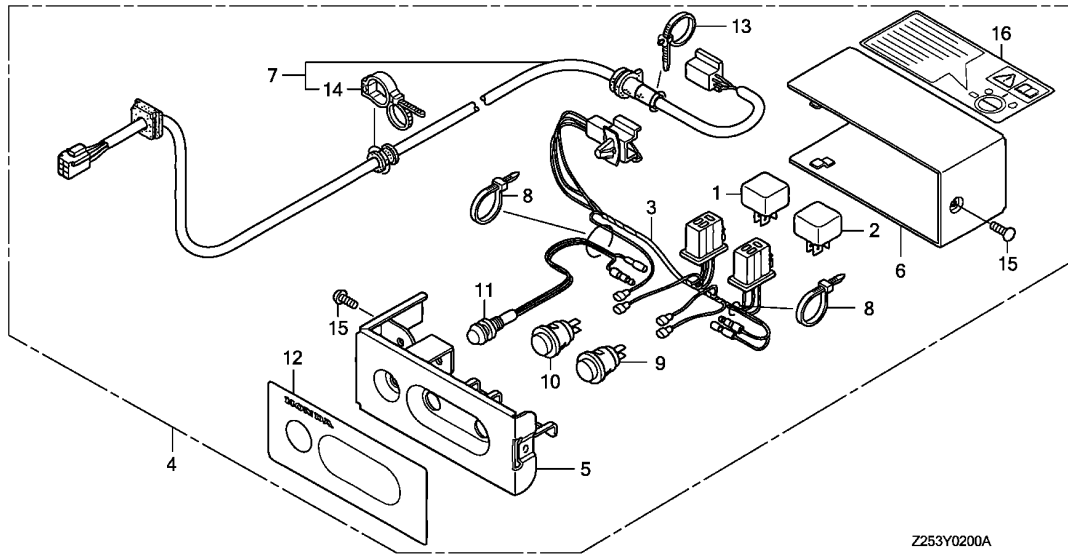


Z253Y0100

Ref. No.	L.O.N.	(Relative ref. Number) Description	F.R.T.
1	4101U9	HANGER KIT	0.1

Ref. No.	Part No.	Description	Reqd. QTY			Serial No.	Parts catalogue code
			EU 65 is	EU 65 is1	EU 65 isN1		
1	06531-Z11-E00ZA	HANGER KIT *NH105*...MAT BLACK (#15-#20)	(1)	(1)	(1)		
2	53150-Z11-E00ZA	HANGER COMP. *NH105*...MAT BLACK (#15-#20)	(1)	(1)	(1)		
3	53155-899-801	BRACKET, HANGER UPPER	(2)	(2)	(2)		
4	95701-08016-07	BOLT, FLANGE, 8X16	(4)	(4)	(4)		

3

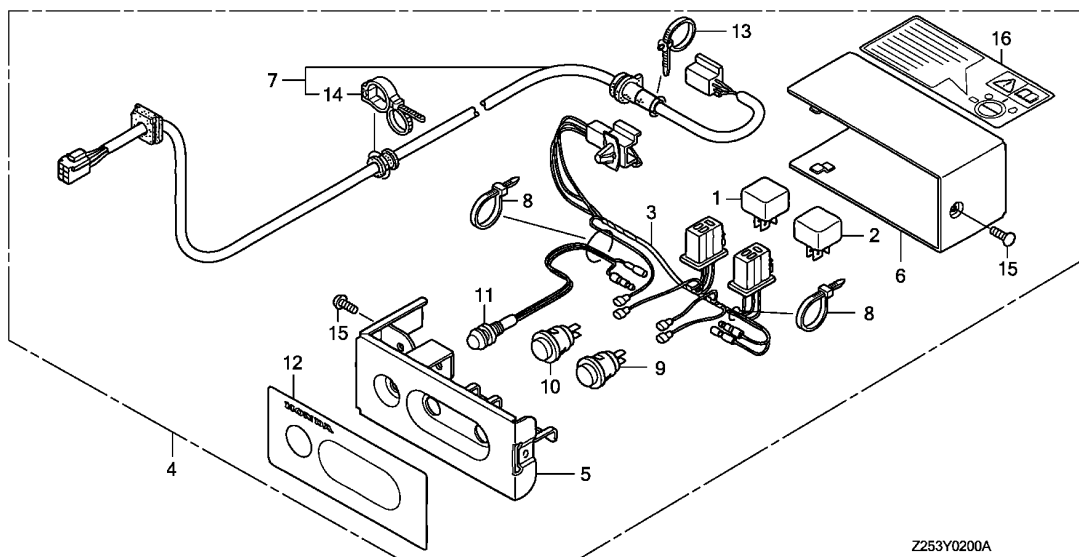


Z253Y0200A

Ref. No.	L.O.N.	(Relative ref. Number) Description	F.R.T.
1	6131B8	RECTIFIER, SILICON	0.2
	6131B8A	.Replace one add	0.1
2	6131C6	RECTIFIER, SILICON(A)	0.2
	6131C6A	.Replace one add	0.1
3	6111E4	HARNESS, REMOTE CONTROL WIRE ..	0.2
4	6221G8	BOX, REMOTE CONTROL	0.1
7	6111A8	CABLE, REMOTE CONTROL	0.2
9	6151D9	SWITCH, ENGINE STOP	0.2
10	6151F4	SWITCH, START	0.2
11	6221Q4	LED ASSEMBLY	0.2

3

Ref. No.	Part No.	Description	Reqd. QTY			Serial No.	Parts catalogue code
			EU 65 is	EU 65 is1	EU 65 isN1		
1	31700-MM8-610	RECTIFIER COMP., SILICON	(1)	(1)	(1)		
2	31700-196-000	RECTIFIER COMP., SILICON	(1)	(1)	(1)		
3	32140-Z22-800	HARNESS ASSY., REMOTE CONTROL	(1)	(1)	(1)		
4	32380-Z11-810ZA	BOX ASSY., REMOTE CONTROL(10M) *NH105*...MAT BLACK (#15-#20)	(1)	(1)	(1)	-----	K,KT,L,L9T,LT,LTT,R,RD,RDT,RH,RHT,RT,S,ST,U,UT
	32380-Z11-820ZA	BOX ASSY., REMOTE CONTROL(20M) *NH105*...MAT BLACK (#15-#20)	(1)	(1)	(1)	-----	K,KT,L,L9T,LT,LTT,R,RD,RDT,RH,RHT,RT,S,ST,U,UT
	32380-Z11-830ZA	BOX ASSY., REMOTE CONTROL(30M) *NH105*...MAT BLACK (#15-#20)	(1)	(1)	(1)	-----	K,KT,L,L9T,LT,LTT,R,RD,RDT,RH,RHT,RT,S,ST,U,UT
	32380-Z11-840ZA	BOX ASSY., REMOTE CONTROL(10M) *NH105*...MAT BLACK (#15-#20)	(1)	(1)	-	-----	CL,CLT,F,FT,G,GT,GW,GWT,IT,ITT
	32380-Z11-860ZA	BOX ASSY., REMOTE CONTROL(30M) *NH105*...MAT BLACK (#15-#20)	(1)	(1)	-	-----	CL,CLT,F,FT,G,GT,GW,GWT,IT,ITT
	32380-Z11-870ZA	BOX ASSY., REMOTE CONTROL(20M) *NH105*...MAT BLACK (#15-#20)	(1)	(1)	-	-----	SK,SKT
	32380-Z11-880ZA	BOX ASSY., REMOTE CONTROL(30M) *NH105*...MAT BLACK (#15-#20)	(1)	(1)	-	-----	SK,SKT
5	32381-Z22-800ZA	PANEL, REMOTE CONTROL *NH105*...MAT BLACK (#15-#20)	(1)	(1)	(1)		
6	32382-Z22-800ZA	COVER, REMOTE CONTROL *NH105*...MAT BLACK (#15-#20)	(1)	(1)	(1)		
7	32520-Z11-820	CABLE ASSY., REMOTE CONTROL (30M)	(1)	(1)	(1)		
	32520-Z11-800	CABLE ASSY., REMOTE CONTROL (10M)	(1)	(1)	(1)	-----	CL,CLT,F,FT,G,GT,GW,GWT,IT,ITT,K,KT,L,L9T,LT,LTT,R,RD,RDT,RH,RHT,RT,S,ST,U,UT
	32520-Z11-810	CABLE ASSY., REMOTE CONTROL (20M)	(1)	(1)	(1)	-----	K,KT,L,L9T,LT,LTT,R,RD,RDT,RH,RHT,RT,S,SK,SKT,ST,U,UT



Z253Y0200A

Ref. No.	Part No.	Description	Reqd. QTY			Serial No.	Parts catalogue code
			EU 65 is	EU 65 is1	EU 65 isN1		
8	32903-ZC8-N01	TIE, CABLE(C)	(2)	(2)	(2)		
9	35120-Z22-801	SWITCH COMP., ENGINE STOP ...	(1)	(1)	(1)		
10	35150-Z22-801	SWITCH COMP., START	(1)	(1)	(1)		
11	37570-Z22-A91	LED ASSY.	(1)	(1)	(1)		
12	87247-Z22-800	MARK, REMOTE CONTROL	(1)	(1)	(1)	-----	K,KT,L,L9T,LT,LTT,R,RD,RDT,RH,RHT,RT,S,ST,U,UT
	87247-Z22-810	(1)	(1)	-	-----	CL,CLT,F,FT,G,GT,GW,GWT,IT,ITT
	87247-Z11-870	(1)	(1)	-	-----	SK,SKT
13	90615-PN3-003	BAND, HARNESS (NATURAL) (98MM)	(1)	(1)	(1)		
14	91558-SM4-003	CLIP, TUBE(BLACK) (135MM)	(1)	(1)	(1)		
15	93500-04008-0G	SCREW, PAN, 4X8	(2)	(2)	(2)		
16	87246-Z11-840	MARK, REMOTE	(1)	(1)	-	-----	CL,CLT,F,FT,G,GT,GW,GWT,IT,ITT



PART NO. INDEX



Part Number	Address	Page	Ref.	Part Number	Address	Page	Ref.	Part Number	Address	Page	Ref.	Part Number	Address	Page	Ref.	Part Number	Address	Page	Ref.
32110-Z25-A00	F5	57	4		E12	48	10					36214-ZS9-A01	E1	37	12	50338-Z11-000	F15	67	5
32110-Z25-A30	F5	57	4	32335-Z22-F90	E8	44	12		E5	41	8		E3	39	9	50388-Z11-000	F2	54	14
32110-Z25-A60	F5	57	4		E12	48	9		E6	42	7		E5	41	11				
32118-Z25-A60	E8	44	5	32335-ZC6-670	E8	44	12		E8	44	17		E6	42	10	51000			
	E10	46	4		E12	48	9		E10	46	14		E9	45	20				
	E12	48	4	32345-Z11-A31	E1	37	6		E12	48	13		E10	46	17	51511-Z11-000ZA	F15	67	6
32140-Z22-800	G8	76	3	32345-Z11-A70	E3	39	4		E14	50	7		E12	48	16				
32150-Z11-A32	E1	37	2	32345-Z11-A80	E5	41	6	35000					E14	50	10	53000			
32150-Z11-A61	E3	39	2		E6	42	5												
	E6	42	3	32345-Z25-A60	E10	46	12	35100-Z11-003	E1	37	9	37000				53110-Z11-000ZA	F15	67	7
	E14	50	2	32345-Z25-B50	E8	44	15		E3	39	7					53110-Z25-R50	F16	68	33
32150-Z11-A71	E3	39	2	32345-Z25-R20	E12	48	11		E5	41	9	37570-Z22-A91	G9	77	11	53112-Z11-000	F15	67	8
	E5	41	3	32345-Z25-R50	E14	50	5		E6	42	8					53113-Z11-000	F15	67	9
32150-Z25-A60	E8	44	6	32345-Z25-R51	E14	50	5	35100-Z11-013	E1	37	9	38000				53114-Z11-000	F15	67	10
	E10	46	5	32366-Z25-A60	E10	46	13		E3	39	7					53115-Z11-000	F15	67	11
	E12	48	5	32366-Z25-A80	E6	42	6		E5	41	9	38206-735-921	E1	37	13	53116-Z11-000	F15	67	12
32150-Z25-F80	E6	42	3	32366-Z25-B30	E1	37	7		E6	42	8		E3	39	10	53117-Z11-000	F15	67	13
32158-Z11-A30	G2	70	6	32366-Z25-B50	E8	44	16		E8	44	18		E5	41	12	53118-Z11-000	F15	67	14
32158-Z11-A31	G2	70	6	32366-Z25-B60	E3	39	5		E10	46	15		E6	42	11	53150-Z11-E00ZA	G7	75	2
32158-Z25-A60	G2	70	6	32366-Z25-B80	E3	39	5		E12	48	14		E9	45	21	53155-899-801	G7	75	3
32172-GJ1-003	D11	33	20	32366-Z25-F70	E3	39	5		E14	50	8		E10	46	18	53170-Z25-000ZA	F15	67	15
	F5	57	5	32366-Z25-R10	E5	41	7	35111-880-013	E1	37	10		E13	49	17				
32196-Z25-A60	E8	44	7	32366-Z25-R20	E12	48	12		E3	39	8		E14	50	11	63000			
	E10	46	6	32366-Z25-R50	E14	50	6		E5	41	10	38240-Z25-A61	E9	45	22				
	E12	48	6	32366-Z25-R61	E3	39	5		E6	42	9		E10	46	19	63140-Z25-000	F12	64	2
32197-Z25-A60	E8	44	8	32366-Z25-U50	E14	50	6		E9	45	19		E13	49	18	63142-Z25-000	F12	64	3
	E10	46	7	32366-Z25-U81	E1	37	7		E10	46	16	38240-Z25-A62	E9	45	22	63151-Z11-000ZA	F8	60	2
32310-836-000	G6	74	2	32380-Z11-810ZA	G8	76	4		E12	48	15		E10	46	19	63151-Z25-000ZA	F12	64	4
32310-Z07-C70	G6	74	5	32380-Z11-820ZA	G8	76	4		E14	50	9		E13	49	18	63153-Z11-000	F8	60	3
32310-ZD8-F61	G6	74	1	32380-Z11-830ZA	G8	76	4	35120-Z22-801	G9	77	9	38240-Z25-A63	E9	45	22	63153-Z25-000	F12	64	5
32330-899-631	E1	37	3	32380-Z11-840ZA	G8	76	4	35150-Z22-801	G9	77	10		E11	47	19	63154-Z11-000	F8	60	4
32330-Z11-A90	E8	44	10	32380-Z11-860ZA	G8	76	4	35320-Z11-A01	E1	37	11		E13	49	18	63154-Z25-000	F12	64	6
	E10	46	8	32380-Z11-870ZA	G8	76	4	35480-ZF6-003	D3	25	3	38242-Z25-A61	E9	45	23	63163-Z25-000	F8	60	5
	E12	48	8	32380-Z11-880ZA	G8	76	4	35673-ZF6-F41	D1	23	11		E11	47	20	63164-Z25-000	F8	60	6
32330-Z22-A90	E8	44	9	32381-Z22-800ZA	G8	76	5	35673-ZF6-F42	D1	23	11		E13	49	19	63165-Z25-000	F15	67	16
	E12	48	7	32382-Z22-800ZA	G8	76	6					38242-Z25-A62	E9	45	23	63166-Z25-000	F8	60	7
32330-ZA0-890	E8	44	9	32520-Z11-800	G8	76	7	36000					E11	47	20	63166-Z25-R50	F8	60	7
	E12	48	7	32520-Z11-810	G8	76	7						E13	49	19	63167-Z25-000	F8	60	8
32330-ZC5-K40	E14	50	3	32520-Z11-820	G8	76	7	36161-ZF6-F41	D12	34	21	38398-Z25-A60	E7	43	20	63168-Z25-R50	F14	66	23
32330-ZC5-K41	E14	50	3	32610-Z11-A00	F13	65	2	36161-ZL0-D31	D12	34	22		E9	45	24	63171-Z25-000ZA	F12	64	7
32331-880-680	E3	39	3	32610-Z11-A40	F13	65	2	36162-ZL0-D31	D12	34	23		E11	47	21	63173-Z25-000	F12	64	8
32331-Z25-A60	E10	46	9	32903-ZC8-N01	G9	77	8	36165-ZF6-F41	D12	34	24		E13	49	20	63175-Z25-000	F12	64	9
32331-Z25-B50	E8	44	11					36166-ZF6-F41	D12	34	25	38399-Z25-A60	E7	43	21	63191-Z25-000	F12	64	10
32331-ZB3-G90	E8	44	10	34000				36168-Z11-003	F5	57	6		E9	45	25	63310-Z25-000ZA	F8	60	9
	E10	46	8					36214-Z11-A01	E1	37	12		E11	47	22	63312-Z25-000	F2	54	15
	E12	48	8	34110-Z11-A31	E1	37	8		E3	39	9		E13	49	21	63347-Z11-000	F6	58	18
32331-ZT3-C60	E5	41	4		E3	39	6		E5	41	11					63350-Z25-R50ZA	F10	62	6
32332-Z07-C81	E6	42	4		E5	41	8		E6	42	10	42000				63351-Z25-R50	F10	62	7
32332-ZB4-630	E1	37	4		E6	42	7		E9	45	20					63352-Z25-R50	F10	62	8
32332-ZB4-E00	E14	50	4	34110-Z11-A32	E1	37	8		E10	46	17	42310-Z25-000	F15	67	1	63353-Z25-R50	F10	62	9
32334-ZA0-631	E1	37	5		E3	39	6		E12	48	16	42710-899-801	F15	67	2	63354-Z25-R50	F10	62	10
32335-875-610	E5	41	5		E5	41	8		E14	50	10	42710-Z11-003	F15	67	2	63355-Z25-R50ZA	F10	62	11
	E8	44	13		E6	42	7	36214-ZS9-A00	E1	37	12					63356-Z25-R50	F10	62	12
	E10	46	10		E8	44	17		E3	39	9	50000				63357-Z25-R50	F10	62	13
32335-898-690	E8	44	14		E10	46	14		E5	41	11					63358-Z25-R50	F10	62	14
	E10	46	11		E12	48	13		E6	42	10	50129-862-000	F12	64	1	63359-Z25-R50	F10	62	15
	E12	48	10		E14	50	7		E9	45	20	50305-Z25-000ZA	F13	65	3	63362-Z25-R50	F10	62	16
32335-Z11-A90	E8	44	14	34110-Z25-F61	E1	37	8		E10	46	17	50323-Z25-000	F15	67	3	63363-Z25-R50	F10	62	17
	E10	46	11		E3	39	6		E12	48	16	50337-Z11-000	F15	67	4	63510-Z11-000ZA	F8	60	10



PART NO. INDEX

H 3

Part Number	Address	Page	Ref.	Part Number	Address	Page	Ref.	Part Number	Address	Page	Ref.	Part Number	Address	Page	Ref.	Part Number	Address	Page	Ref.
63522-Z11-000	F8	60	11	87264-Z25-U80	G4	72	5					E11	47	24		E11	47	29	
63522-Z25-R50	F9	61	20	87511-ZT3-S20	G4	72	6	90201-ZE3-V00	D13	35	2	E13	49	23		E13	49	27	
63524-Z11-000	F8	60	12	87531-Z11-A00	G4	72	7					F5	57	15	93913-25110	F10	62	22	
63526-Z11-A60	F9	61	19	87534-892-640	G4	72	8	90201-ZM0-000	F13	65	15	F5	57	14	93913-25410	G1	69	11	
				87539-Z25-A30	G5	73	9	90206-ZE1-000	D8	30	17	91551-Z03-000	G2	70	9				
63640-Z25-000	F13	65	4	87539-Z25-A31	G5	73	9	90301-693-000	F8	60	15	91551-Z25-000	F4	56	16	94000			
63642-Z25-000	F13	65	5	87539-Z25-A41	G4	72	9					91552-Z03-000	G2	70	10				
63642-Z25-010	F13	65	5		G5	73	14					91554-Z25-000	F2	54	17	94001-03080-0S	E14	50	18
63713-Z25-000	F16	68	17	87539-Z25-A60	G4	72	9	90301-Z25-R50	F9	61	21	91555-Z11-000	F16	68	23	94001-05000	E9	45	37
63714-Z25-000	F6	58	19	87539-Z25-R10	G5	73	9	90306-KCW-007	F5	57	10	91558-SM4-003	G9	77	14		E13	49	32
63776-Z11-000	F13	65	6	87539-Z25-R60	G4	72	9	90320-747-000	F7	59	26	91651-ZS9-000	G3	71	4	94001-05000-0S	E9	45	37
63778-Z11-000	F13	65	7	87539-ZS9-R10	G5	73	16					91654-Z11-000	E2	38	15		E13	49	32
				87541-ZB4-000	G5	73	12	90405-463-000	F12	64	12		E4	40	12	94001-06390-0S	F5	57	17
64000				87565-ZB4-A00	G5	73	10	90409-952-000	E16	52	15		E5	41	14	94050-04000	E2	38	18
				87594-Z25-A00	G5	73	11	90432-898-000	F13	65	16		E6	42	13		E4	40	15
64266-MG9-770	F6	58	20	87709-Z07-S50	G5	73	13	90441-ZE2-010	D1	23	14		E9	45	28		E5	41	18
								90473-ZF6-F40	D13	35	3		E11	47	25		E6	42	17
68000				89000				90482-567-000	F9	61	22		E13	49	24		E9	45	33
								90501-Z15-000	F4	56	14		E14	50	14		E11	47	30
68322-Z11-000ZA	F13	65	8	89216-Z25-000	G6	74	3	90501-ZA7-640	F5	57	11					E13	49	28	
68323-Z11-000	F13	65	9					90503-Z11-000	F16	68	21	92000				E15	51	19	
68325-Z11-000	F13	65	11	90000				90504-ZC5-N40	E14	50	12				94050-06000	E2	38	19	
68325-Z25-R50	F13	65	10					90505-Z11-000	F9	61	17	92900-08032-0E	D1	23	15		E4	40	16
68325-Z25-U50	F13	65	11	90001-ZE8-000	D7	29	5	90516-Z25-000	F16	68	22	92900-08055-0B	D4	26	7		E5	41	19
68325-ZC2-000	F13	65	10	90002-MC7-000	F12	64	11	90601-ZE3-000	D7	29	6					E7	43	18	
68326-Z11-000	F13	65	12	90003-ZL0-D30	D12	34	26	90615-PN3-003	G9	77	13	93000				E9	45	34	
68326-Z25-U50	F13	65	12	90004-ZE2-W01	E16	52	13	90659-692-000	F1	53	14					E11	47	31	
68346-ZC3-700	F13	65	13	90011-899-840	F5	57	7					93500-03012-1H	E14	50	15		E13	49	29
				90012-ZE0-010	D8	30	16	90660-ZA0-600	G1	69	9	93500-04008-0G	G9	77	15		E15	51	20
83000				90013-883-000	E16	52	14	90672-SA0-003	F5	57	12	93500-05008-3J	E2	38	16		F1	53	15
								90672-SB2-003	E1	37	14		E4	40	13		F7	59	28
83618-GF0-751	F13	65	14						E3	39	11		E5	41	15		F13	65	17
									E5	41	13		E6	42	14	94050-06070	F2	54	19
87000				90013-ZW1-000	G3	71	7		E6	42	12		E9	45	29	94050-08000	D1	23	16
				90014-Z5T-000	D1	23	12		E9	45	26		E11	47	26		F2	54	20
87101-Z25-A60	G4	72	1	90014-ZE2-000	D1	23	12		E11	47	23		E13	49	25		F14	66	18
87101-Z25-A61	G4	72	1	90018-ZE1-000	F1	53	12		E13	49	22		E14	50	16		F16	68	24
87101-Z25-F60	G5	73	17						E14	50	13		F5	57	16	94050-10000	D3	25	10
87102-Z25-A60	G4	72	2	90028-ZC3-000	F1	53	13		F5	57	13	93500-05012-0G	E2	38	17		F14	66	19
87102-Z25-A61	G4	72	2					90674-SL0-003	D3	25	7		E4	40	14	94070-08080	F5	57	18
87114-ZS9-R90	G5	73	18					90674-Z11-003	D3	25	7		E5	41	16	94101-06800	F5	57	19
87117-Z11-A00	G4	72	3	90042-ZK6-E40	D1	23	13	90686-ZG3-300	F7	59	27		E6	42	15	94101-12000	F16	68	25
87150-Z11-A30	G4	72	4	90045-ZG1-750	D3	25	4		F10	62	21		E9	45	30	94102-08800	D1	23	17
87150-Z11-A70	G4	72	4	90049-KBH-000	G1	69	7	90701-HC4-000	D4	26	4		E11	47	27	94102-20000	F16	68	26
87150-Z11-R10	G4	72	4	90102-Z07-003	F7	59	23	90741-ZE2-000	D5	27	3		E13	49	26	94103-06000	G3	71	5
87150-Z11-S60	G4	72	4						D13	35	4		E14	50	17	94103-06700	F7	59	29
87150-Z22-A30	G4	72	4	90102-Z11-000	G2	70	7	90851-898-000	F4	56	15	93500-05016-4J	F2	54	18		F11	63	23
87150-Z25-A60	G4	72	4	90103-Z11-000	F7	59	24		G3	71	3	93600-04016-1G	E5	41	17	94103-08800	F16	68	27
87150-Z25-A61	G4	72	4	90104-Z11-000	F8	60	14						E9	45	31	94109-12000	D3	25	11
87150-Z25-U80	G4	72	4	90105-ZT3-000	F4	56	13	91000					E11	47	28	94111-05800	E9	45	38
87178-Z32-000	G5	73	15	90109-434-000	F10	62	18					93600-04020-1G	E6	42	16		E13	49	33
87246-Z11-840	G9	77	16	90109-Z11-000	F16	68	18	91001-ZF6-013	D5	27	4	93600-05010-0A	F4	56	17	94111-06800	F5	57	20
87247-Z11-870	G9	77	12	90110-Z11-000	F7	59	25	91201-Z1C-003	D3	25	8	93600-05016-0G	E9	45	36	94201-40280	F16	68	28
87247-Z22-800	G9	77	12	90121-952-000	D3	25	5	91201-ZE3-004	D3	25	8		E13	49	31	94301-12200	D1	23	18
87247-Z22-810	G9	77	12						D4	26	5	93893-04012-18	D12	34	27	94305-40203	F12	64	13
87264-Z11-A30	G4	72	5	90122-KCW-007	G1	69	8	91301-805-000	D4	26	6	93893-05016-17	E9	45	32				
87264-Z11-A60	G4	72	5	90128-KET-900	F16	68	19	91353-671-004	D3	25	9		E11	47	29	95000			
87264-Z11-A70	G4	72	5	90131-883-000	D3	25	6	91501-ZL8-000	G1	69	10		E13	49	27				
87264-Z11-S60	G4	72	5	90201-ZE3-790	D13	35	2	91504-SD5-003	E9	45	27	93893-05020-17	E9	45	32	95002-02080	D12	34	28

4

PART NO. INDEX

H 4

Part Number	Address	Page	Ref.	Part Number	Address	Page	Ref.	Part Number	Address	Page	Ref.	Part Number	Address	Page	Ref.
95002-02080	D12	34	35	99000											
95002-45000	D12	34	29												
95002-50000	D12	34	35	99005-01000	G6	74	4								
95003-09040-31	D12	34	30	99101-ZH8-0900	D12	34	32								
95003-09055-31	D12	34	31	99101-ZH8-0920	D12	34	32								
95011-14100	F16	68	29	99101-ZH8-0950	D12	34	32								
95012-17001	F14	66	20	99101-ZH8-0980	D12	34	32								
95018-54250	F1	53	16	99204-ZE2-0400	D12	34	33								
95701-06012-00	D3	25	12												
	F7	59	30												
95701-06012-07	F7	59	31												
	F11	63	24												
95701-06016-00	F16	68	30												
95701-06020-00	F7	59	32												
95701-06022-07	F7	59	33												
95701-06025-00	G2	70	11												
	G3	71	6												
95701-06025-07	F4	56	18												
95701-06030-00	F7	59	34												
95701-06030-07	F9	61	18												
	F16	68	31												
95701-08012-00	F14	66	21												
95701-08016-00	F2	54	21												
95701-08016-07	G7	75	4												
95701-08025-00	F3	55	22												
	F16	68	32												
95701-08030-00	F14	66	22												
95701-08040-00	D4	26	8												
95701-08060-00	D4	26	9												
95701-10025-00	E16	52	16												
95701-10035-00	D14	36	20												
95701-10080-00	D2	24	19												
95725-10080-00	D2	24	19												
95801-06045-00	G1	69	12												
96000															
96100-62020-00	D3	25	13												
	D4	26	10												
96100-62070-00	D4	26	11												
98000															
98079-55846	D2	24	20												
98079-55855	D2	24	20												
98079-56846	D2	24	20												
98079-56855	D2	24	20												
98079-56876	D2	24	20												
98200-31500	E2	38	20												
	E4	40	17												
	E5	41	20												
	E7	43	19												
	E9	45	35												
	E11	47	32												
	E13	49	30												
	E15	51	21												

4

PART NAME INDEX

Part name	Address	Page	Ref.	Part name	Address	Page	Ref.	Part name	Address	Page	Ref.
[A]											
ADAPTER, RECOIL PULLEY	G2	70	2	BOLT, FLANGE, 8X12	F14	66	21	CLAMP, CASE	F10	62	20
ARMATURE COMP.	D14	36	13	BOLT, FLANGE, 8X16	F2	54	21	CLAMP, TUBE, 7.5X2	D11	33	18
ARM, VALVE ROCKER	D8	30	4		G7	75	4	CLIP B, HARNESS	D11	33	20
ARRESTER, SPARK	F2	54	8	BOLT, FLANGE, 8X25	F3	55	22		F5	57	5
[B]											
BAND F, BATTERY	F14	66	20		F16	68	32	CLIP B, HARNESS BAND	F5	57	14
BAND, AIR CLEANER CONNECTING TUBE	F1	53	16	BOLT, FLANGE, 8X30	F14	66	22	CLIP, BREATHER TUBE PROTECTOR	F5	57	1
	D3	25	7	BOLT, FLANGE, 8X40	D4	26	8	CLIP, ENGINE KILL SWITCH CORD	G1	69	9
BAND, CABLE	D3	25	7	BOLT, FLANGE, 8X60	D4	26	9	CLIP, INSULATOR	F10	62	5
BAND, HARNESS	G9	77	13	BOLT, HANDLE HOLDER	F15	67	12	CLIP, INSULATOR BIND	F7	59	27
BAND, INSERT WIRE	D3	25	7	BOLT, HEAD COVER	D1	23	12		F10	62	21
BARREL ASSY., CYLINDER	D3	25	1	BOLT, HEX., 6X28	F5	57	7	CLIP, PISTON PIN, 20MM	D7	29	6
BAR A, HANDLE	G6	74	4	BOLT, PIVOT, 8MM	D8	30	16	CLIP, TUBE	D12	34	28
BATTERY	F5	57	3	BOLT, SOCKET, 5X14	G1	69	7				
BEARING A	D14	36	8	BOLT, SOCKET, 8X22	F16	68	19		G9	77	14
BEARING B	D14	36	9	BOLT, SOCKET, 8X45	F16	68	18	CLIP, VALVE GUIDE	D1	23	4
BEARING, RADIAL BALL, 6202 ...	D3	25	13	BOLT, SPECIAL, 6MM	F7	59	24	CLIP, WASHER MOUTH	E9	45	27
	D4	26	10		F10	62	18		E11	47	24
BEARING, RADIAL BALL, 6207 ...	D4	26	11	BOLT, SPECIAL, 6X26	F8	60	14		E13	49	23
BEARING, RADIAL BALL, 6207SH	D5	27	4	BOLT, STUD, 6X30	D3	25	4	CLIP, WIRE HARNESS	F5	57	15
BOLT-WASHER, 6X25	G3	71	7	BOLT, STUD, 8X126.5	D1	23	13	CLUTCH COMP., OVERRUNNING	D14	36	6
BOLT, AIR CLEANER COVER	F1	53	13	BOLT, STUD, 8X32	D1	23	15	COCK ASSY., FUEL	F4	56	2
	F7	59	23	BOLT, STUD, 8X55	D4	26	7	COIL ASSY., IGNITION	G1	69	3
	F8	60	13	BOLT, THROUGH	D14	36	12	COLLAR SET, CLUTCH STOP	D14	36	2
BOLT, BATTERY TERMINAL	F5	57	9	BOX ASSY., REMOTE CONTROL	G8	76	4	COLLAR, 6.6X13.8X14.5	G1	69	10
BOLT, CONNECTING ROD	D7	29	5	BRACKET A, EX. DUCT	F10	62	12	COLLAR, AIR CLEANER SETTING ...	F8	60	1
BOLT, DRAIN PLUG, 12X15	D3	25	6	BRACKET B, EX. DUCT	F10	62	13	COLLAR, FAN COVER	F1	53	11
BOLT, FLANGE SOCKET, 6X78	G2	70	7	BRACKET COMP., AIR GUIDE	F10	62	4		F6	58	4
BOLT, FLANGE, 10X25	E16	52	16	BRACKET C, L. EX. DUCT	F10	62	15	COLLAR, FR. COVER	F9	61	17
BOLT, FLANGE, 10X35	D14	36	20	BRACKET C, R. EX. DUCT	F10	62	14	COLLAR, HANDLE	F16	68	23
BOLT, FLANGE, 10X80	D2	24	19	BRACKET, FAN COVER	F6	58	3	COLLAR, IN. JOINT	G3	71	1
BOLT, FLANGE, 5X8	F12	64	11	BRACKET, FR. ENGINE MOUNT	F13	65	8	COLLAR, MUFFLER	F2	54	17
BOLT, FLANGE, 6X12	D3	25	12	BRACKET, HANGER UPPER	G7	75	3	COLLAR, SETTING	D11	33	12
	E16	52	14	BRACKET, LOWER SHROUD	F6	58	10	COLLAR, STATOR	G2	70	9
	F2	54	16	BRACKET, L. HANDLE	F15	67	5				
	F5	57	8	BRACKET, PULSER COIL	G1	69	2	COLLAR, TANK CUSHION	F4	56	16
	F7	59	21	BRACKET, RR. ENGINE MOUNT	F13	65	9	CONSENT	E3	39	3
				BRACKET, R. HANDLE	F15	67	4		E14	50	3
				BRACKET, THROTTLE MOTOR	D12	34	25	CORE SET, STATOR COIL	G2	70	4
				BRACKET, UPPER SHROUD	F6	58	6	COVER ASSY., CRANKCASE	D4	26	1
				BRACKET, WIRE HARNESS CLIP	F13	65	1	COVER COMP., CIRCUIT PROTECTOR	E9	45	23
				BRUSH	D14	36	10		E11	47	20
[C]											
									E13	49	19
				CABLE ASSY., REMOTE CONTROL ...	G8	76	7	COVER COMP., FR.	F8	60	10
BOLT, FLANGE, 6X16	F16	68	30	CABLE COMP., SUB EARTH	F13	65	2	COVER COMP., HEAD	D1	23	6
BOLT, FLANGE, 6X20	F7	59	32	CAMSHAFT ASSY.	D8	30	2	COVER COMP., L. MAINTENANCE ...	F12	64	7
BOLT, FLANGE, 6X22	F7	59	33	CAMSHAFT COMP.	D8	30	18	COVER COMP., RR.	F8	60	9
BOLT, FLANGE, 6X23	F1	53	12	CAP ASSY., NOISE SUPPRESSOR ...	G1	69	5	COVER COMP., R. MAINTENANCE ...	F12	64	4
	F7	59	22	CAP COMP., FUEL FILLER	F4	56	9	COVER, AIR CLEANER	F1	53	5
BOLT, FLANGE, 6X25	D3	25	5	CAP, OIL FILLER	D4	26	3	COVER, AIR CLEANER CHAMBER ...	F1	53	9
	F4	56	18	CARBURETOR ASSY.	D11	33	8	COVER, FAN	F6	58	1
	G1	69	8	CASE COMP., AIR CLEANER	F1	53	3	COVER, MAINTENANCE	F8	60	2
	G2	70	11	CASE COMP., AIR CLEANER				COVER, PLUG	F6	58	18
	G3	71	6		CHAMBER	F1	53	COVER, REMOTE CONTROL	G8	76	6
BOLT, FLANGE, 6X30	F7	59	34	CASE COMP., RECOIL STARTER ...	E16	52	2	COVER, THROTTLE MOTOR	F5	57	6
	F9	61	18	CHAMBER SET, FLOAT	D11	33	4	CRANKSHAFT COMP.	D5	27	1
	F16	68	31	CLAMPER, HIGH TENSION CORD ...	G1	69	4	CUP, FUEL STRAINER	F4	56	6
BOLT, FLANGE, 6X45	G1	69	12	CLAMP, CASE	F1	53	14				

PART NAME INDEX

Part name	Address	Page	Ref.	Part name	Address	Page	Ref.	Part name	Address	Page	Ref.
MARK, PANEL	E12	48	12	[O]				PLATE, FUEL INDICATION	G5	73	10
	E14	50	6					PLATE, R. SIDE	F6	58	2
MARK, PANEL SWITCH	G4	72	5	OIL SEAL, 35X52X8	D3	25	8	PLATE, UNDER	F15	67	3
MARK, RECYCLE	G5	73	13		D4	26	5	PLUG ASSY.	G6	74	1
MARK, REMOTE	G9	77	16	0-RING, 14MM	D3	25	9				5
MARK, REMOTE CONTROL	G9	77	12	0-RING, 26X2.7	D4	26	6	PLUG ASSY., CONSENT	G6	74	2
METER ASSY., FUEL	F4	56	10	0-RING, 9.0X1.3	F4	56	4	PLUG, OIL DRAIN	F16	68	17
MOTOR ASSY., STARTER	D14	36	3					PLUG, SPARK	D2	24	20
MOTOR COMP., THROTTLE CONTROL	D12	34	24	[P]				PROTECTOR COMP., MUFFLER INNER	F2	54	5
MUFFLER COMP.	F2	54	1					PROTECTOR COMP., MUFFLER OUTER	F2	54	3
				PACKING	E8	44	12	PROTECTOR, CIRCUIT	E9	45	22
									E10	46	19
[N]									E11	47	19
NOZZLE, MAIN	D11	33	11		E10	46	11		E13	49	18
NUT	F9	61	21		E12	48	9				
NUT-WASHER, 8MM	F5	57	18	PACKING, AIR CLEANER	D11	33	17	PULLEY, RECOIL STARTER	E16	52	3
NUT, BATTERY TERMINAL	F5	57	10	PACKING, CARBURETOR	D11	33	15	PULLEY, STARTER	E16	52	9
NUT, FLANGE, 10MM	D3	25	10	PACKING, CARBURETOR INSULATOR	D11	33	16				
	F14	66	19	PACKING, CASE COVER	D4	26	2	[R]			
NUT, FLANGE, 4MM	E2	38	18	PACKING, CRANKCASE COVER	D4	26	2	RATCHET, STARTER	E16	52	4
	E4	40	15	PACKING, FUEL FILLER CAP	F4	56	11	RECEPTACLE	E1	37	3
	E5	41	18	PACKING, FUEL STRAINER CUP	F4	56	1				4
	E6	42	17	PACKING, HEAD COVER	D1	23	7				5
	E9	45	33	PACKING, INSULATOR	D11	33	16		E5	41	4
	E11	47	30	PACKING, RECEPTACLE	E5	41	5		E8	44	9
	E13	49	28		E8	44	13				10
	E15	51	19								11
NUT, FLANGE, 6MM	E2	38	19		E10	46	10		E10	46	8
	E4	40	16								9
	E5	41	19		E12	48	10		E12	48	7
	E7	43	18	PANEL COMP., CONTROL	E1	37	6				8
	E9	45	34		E3	39	4	RECTIFIER COMP., SILICON	G8	76	1
	E11	47	31		E5	41	6				2
	E13	49	29		E6	42	5	RETAINER, 6MM	F5	57	11
	E15	51	20		E8	44	15	RETAINER, EX. VALVE SPRING	D8	30	12
	F1	53	15		E10	46	12	RETAINER, IN. VALVE SPRING	D8	30	11
	F2	54	19		E12	48	11				12
	F7	59	28		E14	50	5	RETAINER, LOCK SPRING	F12	64	1
	F13	65	15	PANEL, REMOTE CONTROL	G8	76	5	RETAINER, SPRING	E16	52	8
				PIN, COVER LOCK	F12	64	9	RING SET, PISTON	D6	28	1
NUT, FLANGE, 8MM	D1	23	16	PIN, PISTON	D7	29	3		D7	29	1
	F2	54	20	PIN, SPLIT, 4.0X28	F16	68	28	RING, SNAP	D14	36	1
	F14	66	18	PIN, SPRING, 4X20	F12	64	13	ROD ASSY., CONNECTING	D7	29	4
	F16	68	24	PIPE COMP., EX. TAIL	F2	54	12	ROD, PUSH	D8	30	3
NUT, HEX.	D14	36	17	PIPE COMP., HANDLE	F15	67	7	ROPE, RECOIL STARTER	E16	52	11
NUT, HEX., 3MM	E14	50	18		F16	68	33	ROTATOR, VALVE	D8	30	14
NUT, HEX., 5MM	E9	45	37	PIPE COMP., RR.	F15	67	15	ROTOR COMP.	G2	70	5
	E13	49	32	PIPE, EX.	D1	23	9	RUBBER A, SEPARATOR SEAL	F13	65	6
NUT, HEX., 6MM	F5	57	17	PISTON	D7	29	2	RUBBER B, SEPARATOR SEAL	F13	65	7
NUT, HEX., 8MM	D14	36	16	PIVOT, ROCKER ARM	D8	30	6	RUBBER, AIR CLEANER	F1	53	6
NUT, OPEN STAY, 6MM	F8	60	15	PLATE SET, CONSENT	E8	44	2	RUBBER, BATTERY BOX	F13	65	14
	F10	62	19					RUBBER, BOTTOM	F13	65	10
	F16	68	20		E10	46	2				11
NUT, PIVOT ADJUSTING	D8	30	17		E12	48	1	RUBBER, GRIP	F15	67	11
NUT, SPECIAL, 16MM	D13	35	2	PLATE, CONSENT SETTING	E5	41	1	RUBBER, INVERTER UNIT	G3	71	4
	G2	70	8		E6	42	1	RUBBER, L. BOTTOM	F13	65	12
NUT, SPRING, 6MM	F7	59	26		E8	44	1	RUBBER, OIL CHECK	F6	58	19
	F8	60	16		E8	44	1	RUBBER, STOPPER	F2	54	14
					E10	46	1		F13	65	13

PART NAME INDEX

Part name	Address	Page	Ref.	Part name	Address	Page	Ref.	Part name	Address	Page	Ref.
RUBBER, STOPPER	F15	67	14	SEAL D, FR. COVER	F9	61	23	STRAP, CABLE, 105MM	E14	50	13
RUBBER, TANK CUSHION	F4	56	15	SEAL, 10X10X500	F8	60	6		F5	57	13
	G3	71	3	SEAL, 10X5X640	F8	60	8	STRAP, CABLE, 118MM	F5	57	12
[S]				SEAL, 10X5X785	F2	54	4	SUB CORD ASSY.	E8	44	7
SCREEN SET, FUEL STRAINER	F4	56	3	SEAL, 10X6X320	F8	60	5		E10	46	6
SCREEN, FUEL STRAINER	D12	34	34	SEAL, 10X6X605	F8	60	7		E12	48	6
SCREW-WASHER, 3X8	D12	34	26	SEAL, 10X8X290	F2	54	15	SWITCH ASSY., COMBINATION	E1	37	9
SCREW-WASHER, 4X12	D12	34	27	SEAL, 20X6X190	F3	55	23		E3	39	7
SCREW-WASHER, 5X16	E9	45	32	SEAL, 8X8X705	F15	67	16		E5	41	9
	E11	47	29	SEAL, AIR CLEANER CHAMBER	F1	53	4		E6	42	8
	E13	49	27	SEAL, AIR CLEANER COVER	F1	53	7		E8	44	18
SCREW-WASHER, 5X20	E9	45	32	SEAL, EX. DUCT UNDER	F10	62	10		E10	46	15
	E11	47	29	SEAL, FRAME UPPER	F14	66	23		E12	48	14
	E13	49	27	SEAL, FR. AIR DUCT	F10	62	3		E14	50	8
SCREW SET	D11	33	7	SEAL, FR. FRAME	F13	65	5	SWITCH ASSY., MAGNET	D14	36	5
SCREW SET, DRAIN	D11	33	6	SEAL, FUEL TANK	F4	56	8	SWITCH ASSY., OIL LEVEL	D3	25	3
SCREW SET, PILOT	D11	33	5	SEAL, HEAD COVER SHROUD LOWER	F6	58	17	SWITCH ASSY., VOLT CHANGE	E1	37	11
SCREW, CENTER	E16	52	13	SEAL, HEAD COVER SHROUD UPPER	F6	58	16	SWITCH COMP., AUTO-THROTTLE	E1	37	12
SCREW, FLAT, 4X16	E5	41	17	SEAL, L. MAINTENANCE COVER	F12	64	6		E3	39	9
	E9	45	31	SEAL, MUFFLER PROTECTOR	F2	54	6		E5	41	11
	E11	47	28	SEAL, RR. UNDER	F8	60	7		E6	42	10
SCREW, FLAT, 4X20	E6	42	16	SEAL, R. MAINTENANCE COVER	F12	64	5		E9	45	20
SCREW, FLAT, 5X10	F4	56	17	SEAL, R. SIDE COVER	F6	58	12		E10	46	17
SCREW, FLAT, 5X16	E9	45	36	SEAL, VALVE STEM	D8	30	1		E12	48	16
	E13	49	31	SEAL, VALVE SPRING	D8	30	13		E14	50	10
SCREW, PAN, 3X12	E14	50	15	SENSOR ASSY., TEMPERATURE	D1	23	11	SWITCH COMP., ENGINE STOP	G9	77	9
SCREW, PAN, 4X19	F4	56	13	SEPARATOR, MUFFLER INNER	F2	54	2	SWITCH COMP., START	G9	77	10
SCREW, PAN, 4X8	G9	77	15	SHAFT COMP., WHEEL	F15	67	1				
SCREW, PAN, 5X12	E2	38	17	SHEET, WATER PROOF	E8	44	5	[T]			
	E4	40	14		E10	46	4	TANK COMP., FUEL	F4	56	7
	E5	41	16	SHROUD COMP., ENGINE	E12	48	4	TERMINAL SET, EARTH	F5	57	2
	E6	42	15	SHROUD COMP., R. SIDE	D3	25	2	TIE, CABLE	G9	77	8
	E9	45	30	SHROUD, HEAD COVER	F6	58	11	TRAP, FLAME	F1	53	1
	E11	47	27	SHROUD, LOWER	F6	58	15	TUBE, AIR CLEANER CONNECTING	F1	53	10
	E13	49	26	SHROUD, UNDER	F6	58	14	TUBE, BREATHER	D1	23	8
	E14	50	17	SHROUD, UPPER	F6	58	5	TUBE, FUEL TANK	D11	33	19
SCREW, PAN, 5X16	F2	54	18	SOCKET	E6	42	4	TUBE, VINYL, 4.5X8X400	D12	34	30
SCREW, PAN, 5X8	E2	38	16	SPACER COMP., CARBURETOR	D11	33	14	TUBE, VINYL, 4.5X8X550	D12	34	31
	E4	40	13	SPRING, BRUSH	D14	36	11	[U]			
	E5	41	15	SPRING, COMPRESSION COIL	D12	34	23	UNIT ASSY., GENERATOR CONTROL	E1	37	8
	E6	42	14	SPRING, COVER LOCK	F12	64	8		E3	39	6
	E9	45	29	SPRING, FRICTION	E16	52	5		E5	41	8
	E11	47	26	SPRING, HANDLE LEVER	F15	67	13		E6	42	7
	E13	49	25	SPRING, HINGE PLATE	F12	64	3		E8	44	17
	E14	50	16	SPRING, MAINTENANCE COVER	F12	64	10		E10	46	14
	F5	57	16	SPRING, RATCHET	E16	52	7		E12	48	13
SCREW, SPECIAL, 6X16	F7	59	23	SPRING, STARTER RETURN	E16	52	6		E14	50	7
	F8	60	13	SPRING, STARTER RETURN	E16	52	6	[V]			
	F9	61	20	SPRING, VALVE	D8	30	10	VALVE SET, FLOAT	D11	33	2
SCREW, STOP	D11	33	10	SPRING, WEIGHT RETURN	D8	30	7	VALVE, EX.	D8	30	9
SCREW, TAPPING, 5X10	F10	62	22	STAND	F15	67	6	VALVE, IN.	D8	30	8
SCREW, TAPPING, 5X16	G1	69	11	STARTER ASSY., RECOIL	E16	52	1				
SEAL A, FR. COVER	F8	60	11	STRAP, CABLE, 105MM	E1	37	14				
	F9	61	20		E3	39	11				
SEAL A, MAINTENANCE COVER	F8	60	3		E5	41	13				
SEAL B, MAINTENANCE COVER	F8	60	4		E6	42	12				
SEAL C, FR. COVER	F8	60	12		E9	45	26				
SEAL D, FR. COVER	F9	61	19		E11	47	23				
					E13	49	22				

PART NAME INDEX

Part name	Address	Page	Ref.	Part name	Address	Page	Ref.	Part name	Address	Page	Ref.
[W]											
WASHER COMP., HEAD COVER	D1	23	14								
WASHER, 10MM	E16	52	15								
WASHER, 6MM	F4	56	14								
WASHER, 8MM	F12	64	12								
WASHER, DRAIN PLUG, 12MM	D3	25	11								
WASHER, FLYWHEEL	D13	35	3								
WASHER, LOCK, 6MM	F13	65	16								
WASHER, PLAIN, 10.3X34	F16	68	22								
WASHER, PLAIN, 12MM	F16	68	25								
WASHER, PLAIN, 20MM	F16	68	26								
WASHER, PLAIN, 3MM	E14	50	12								
WASHER, PLAIN, 6MM	F5	57	19								
	F7	59	29								
	F11	63	23								
	G3	71	5								
WASHER, PLAIN, 8MM	D1	23	17								
	F16	68	27								
WASHER, SPECIAL, 6MM	F9	61	22								
WASHER, SPRING	F16	68	21								
WASHER, SPRING, 5MM	E9	45	38								
	E13	49	33								
WASHER, SPRING, 6MM	F5	57	20								
WEIGHT, BALANCER	D5	27	2								
WHEEL COMP., 10"X2.75"	F15	67	2								
WHEEL COMP., 250X60	F15	67	2								
WRENCH, BOX	G6	74	3								
[Y]											
YOKE COMP.	D14	36	14								

1

FOREWORD INDEX

2

ENGINE GROUP

3

FRAME GROUP

4

PART NUMBER INDEX

5

PART NAME INDEX

HONDA
The Power of Dreams



PARTS CATALOGUE NEWS

Honda Motor Co., Ltd.
Customer Service Technology Development Division

Printed in Japan

CODE NO.	13Z25704
PARTS CATALOGUE NEWS	EU65is EU65is1
NEWS NO.	001

EU65is1-GWT1 TYPE sales parts information

NOTE: This Parts Catalogue News explains only the parts of the different model that are produced to conform to addition of the EU65is1-GWT1 type.

As for the parts not listed on this Parts Catalogue News, use the parts of the EU65is1-GWT type.

• Models, parts catalogue codes and applicable serial numbers

Model	Type		Parts catalogue type	Engine		Applicable engine serial No.	Applicable frame serial No.	Applicable carburetor identification No.
				Model	Type			
EU65is1	GWT	Base type	GWT	GX390T2	EY9	GCBBDT-1000001~	EASJ-1200001~	BE95D A
	GWT1	Additional type	GWT1					

• Features of each type		Base type	Additional type
Specifications		EU65is1	
		GWT	GWT1
Frequency	50Hz	●	●
	60Hz		
Voltage	120V / 240V		
	220V		
	230V	●	●
	240V		
Consent plug	15A / 125V		
	16A / 250V	●	
	16A / 250V (VDE standard in Germany and Austria)		●
	20A / 250V		
	30A - 250V		
Remote control box	10m	(●)	(●)
	20m		
	30m	(●)	(●)

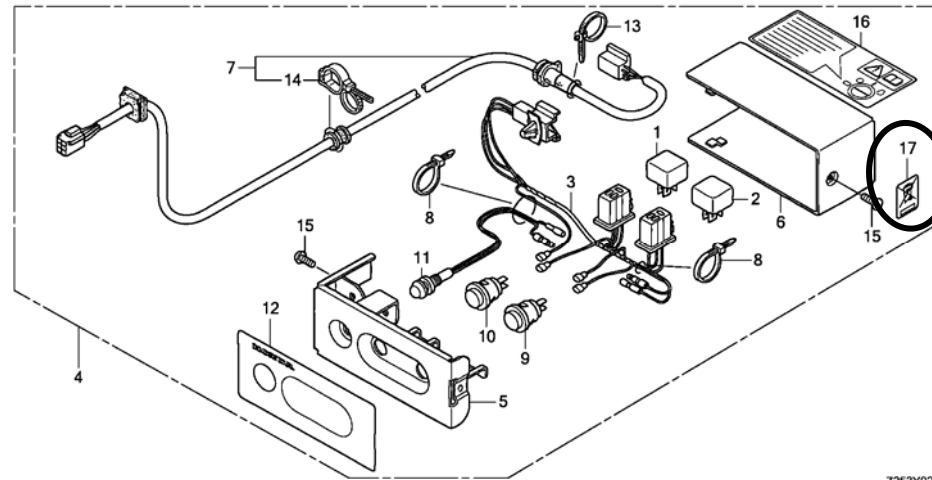
NOTE A:PART NO. CHANGE D:NEWLY PROVIDED E:PART NO.DELETION K:REQUIRED NO. CORRECTION L:APPLICATION SERIAL NO. CORRECTION
M:PART DESCRIPTION CORRECTION T:APPLICATION CORRECTION Z:REMARKS CHANGE

PARTS CATALOGUE NEWS

BOOKNo. :13Z25704

Block No.	Ref. No.	Part No.	Description	Reqd. QTY			Base Part No.	Parts catalogue code
				EU 65 is	EU 65 is1	EU 65 isN1		
F-2-5	9	32331-Z25-640	RECEPTACLE(16A-250V).....	-	2	-	32331-Z25-A60	GWT1
	19	38240-Z25-F60	PROTECTOR, CIRCUIT(16A).....	-	3	-	38240-Z25-A63	GWT1
F-16	10	17630-Z11-A32	METER ASSY., FUEL.....	-	1	-	17630-Z11-A31	GWT1
F-31	10	87565-Z22-620	MARK, FUEL INDICATION.....	-	1	-	87565-ZB4-A00	GWT1

FOP-2 REMOTE CONTROL BOX



Z253Y0200B

FOP-2	4	BOX ASSY., REMOTE CONTROL(10M) *NH105*...MAT BLACK (#15-#20)	-	(0)	-	32380-Z11-840ZA	GWT1
		BOX ASSY., REMOTE CONTROL(30M) *NH105*...MAT BLACK (#15-#20)	-	(0)	-	32380-Z11-860ZA	GWT1
	17	87709-Z07-S50	MARK, RECYCLE.....	-	(1)	-	GWT1

NOTE A:PART NO. CHANGE D:NEWLY PROVIDED E:PART NO.DELETION K:REQUIRED NO. CORRECTION L:APPLICATION SERIAL NO. CORRECTION
M:PART DESCRIPTION CORRECTION T:APPLICATION CORRECTION Z:REMARKS CHANGE

August 17, 2012



PARTS CATALOGUE NEWS

Honda Motor Co., Ltd.

Customer Service Technology Development Division

PARTS CATALOGUE - CORRECTED

Printed in Japan

CODE NO.	13Z25704
PARTS CATALOGUE NEWS	EU65is EU65is1
NEWS NO.	002

Block No.	Ref. No.	Note	Part No.	Description	Reqd. QTY			Serial No.	Parts catalogue code
					EU 65 is	EU 65 is1	EU 65 isN1		
FOP-2	4	D	32380-Z25-B40ZA	BOX ASSY., REMOTE CONTROL (10M) *NH105*... MAT BLACK (#15-#20)	-	(1)	-	-----	GW, GWT, GWT1
		D	32380-Z25-F40ZA	BOX ASSY., REMOTE CONTROL (30M) *NH105*... MAT BLACK (#15-#20)	-	(1)	-	-----	GW, GWT, GWT1

NOTE A:PART NO. CHANGE D:NEWLY PROVIDED E:PART NO. DELETION K:REQUIRED NO. CORRECTION L:APPLICATION SERIAL NO. CORRECTION
M:PART DESCRIPTION CORRECTION T:APPLICATION CORRECTION Z:REMARKS CHANGE



PARTS CATALOGUE NEWS

Honda Motor Co., Ltd.
Customer Service Technology Development Division

PARTS CATALOGUE - CORRECTED

Printed in Japan

CODE NO.	13Z25704
PARTS CATALOGUE NEWS	EU65is EU65is1 EU65isN1
NEWS NO.	003

Block No.	Ref. No.	Note	Part No.	Description	Reqd. QTY			Serial No.	Parts catalogue code	
					EU 65 is	EU 65 is1	EU 65 isN1			
F-16	10	L	17630-Z11-A31	METER ASSY., FUEL.....	1	-	1	-----	-----	
					-	1	-	-----	-----	CL, CLT
		T	17630-Z11-A32	-	1	-	-----	-----	1214316 F, FT, G, GT, GW, GWT, IT, ITT, K, KT, L, L9T, LT, LTT, R, RH, RHT, RT S, SK, SKT, ST, U, UT
					-	1	-	1214317	-----	CL, CLT, GWT1 F, FT, G, GT, GW, GWT, IT, ITT, K, KT, L, L9T, LT, LTT, R, RH, RHT, RT S, SK, SKT, ST, U, UT
F-29-10	2	T	31310-Z25-B60	INVERTER UNIT COMP.....	1	1	-	-----	-----	K, KT, R, RT, S, SK, SKT, ST
		T	31310-Z25-R50	1	1	1	-----	-----	RD, RDT, RH, RHT

NOTE A:PART NO. CHANGE D:NEWLY PROVIDED E:PART NO. DELETION K:REQUIRED NO. CORRECTION L:APPLICATION SERIAL NO. CORRECTION
M:PART DESCRIPTION CORRECTION T:APPLICATION CORRECTION Z:REMARKS CHANGE

February 22, 2013



PARTS CATALOGUE NEWS

Honda Motor Co., Ltd.

Customer Service Technology Development Division

PARTS CATALOGUE - CORRECTED

Printed in Japan

CODE NO.	13Z25704
PARTS CATALOGUE NEWS	EU65is EU65is1 EU65isN1
NEWS NO.	004

Block No.	Ref. No.	Note	Part No.	Description	Reqd. QTY			Serial No.	Parts catalogue code
					EU 65 is	EU 65 is1	EU 65 isN1		
F-2-5	19	T	38240-Z25-F60	PROTECTOR, CIRCUIT(16A) (BLACK)	-	3	-	-----	CL, CLT, GWT1

NOTE A:PART NO. CHANGE D:NEWLY PROVIDED E:PART NO.DELETION K:REQUIRED NO. CORRECTION L:APPLICATION SERIAL NO. CORRECTION
M:PART DESCRIPTION CORRECTION T:APPLICATION CORRECTION Z:REMARKS CHANGE