

# ***OUTBOARD MOTOR***

**BF75DK2  
BF90DK2  
BF75DK3  
BF90DK4**

**PARTS CATALOGUE**

**2**



BF75DK2



BF90DK2

---

FOREWORD INDEX

**1**

---

ENGINE GROUP

**2**

---

FRAME GROUP

**3**

---

PART NUMBER INDEX

**4**

---

PART NAME INDEX

**5**

---



**Instruction for use of parts catalogue**

- **This parts catalogue was prepared based on the latest information available as of February 01, 2014.**
- See the parts catalogue news for any revision that is made after February 01, 2014.
- **Always specify the part number when ordering a part.**
  - Check the model, type, serial numbers, color, maker, and the size as needed before ordering a part.
  - Note that the illustrations (part drawings) can differ from the actual parts in shape. They are given just to help you to refer to the parts.
- **When modifications or additions to this parts catalogue are made, a revised edition will be issued at an appropriate time, with successively progressing revision numbers on the cover. We recommend obtaining such revisions in order to keep your parts catalogue up-to-date at all times. To check whether a parts catalogue revision has been issued, please contact your Honda distributor.**

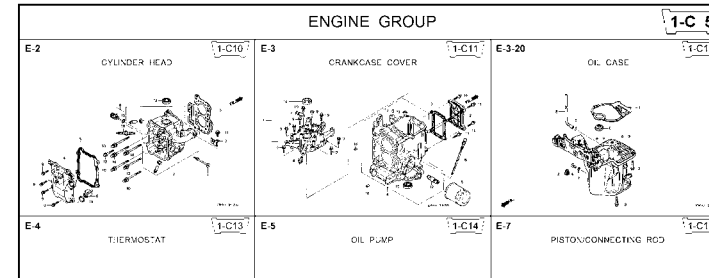
Initial version issue date **November 01, 2011**  
**Honda Motor Co., Ltd.**

**CONTENTS**

	Page	Address No.	
● Instruction for use of parts catalogue .....	1	B 1	<b>1</b>
● How to refer to the part information .....	2	B 2	
● Part catalogue structure .....	3	B 3	
● When the parts were revised.....	4	B 4	
● Abbreviations used in the parts catalogue.....	4	B 4	
● How to check the part block and serial numbers.....	5	B 5	
● Models, parts catalogue codes and applicable serial numbers .....	6	B 6	
● Features of each type.....	8	B 8	
● Fuel hose, general purpose hoses and vinyl hose.....	10	B10	
● FLAT RATE SERVICE TIME .....	11	B11	
● Illustrated index .....	16	B16	
● ENGINE GROUP.....	23	D 1	<b>2</b>
● FRAME GROUP.....	49	F 1	<b>3</b>
● PART NO. INDEX.....	132	L 1	<b>4</b>
● PART NAME INDEX.....	139	M 1	<b>5</b>

How to refer to the part information

A Reference with "Illustrated index"



B Reference with "Part number index"

PART NO. INDEX					
Part Number	Address	Page	Ref.	Part Number	Address Page
06000				15212-ZW9-000	1-C14 3C
06316-ZW9-000	1-69	88	1	15220-ZW9-003	1-C14 3C
11000				15332-ZW9-000	1-E8 55
11300-ZW9-405	1-C11	27	1	15332-ZW9-A30	1-E11 5E
11300-ZW9-406	1-C11	27	1	15400-PFB-004	1-C11 27
11340-ZW9-000	1-C11	27	2	15422-ZW9-000	1-C14 3C
11342-ZW9-000	1-C11	27	3	15473-881-000	1-C14 3C
11381-ZW9-003	1-C12	28	1	15474-ZW9-000	1-C14 3C
				15611-921-000	1-C10 2E
				15655-ZW9-000	1-C11 27
				16000	
12000				16010-ZV4-005	1-D4 3E
12000-ZW9-405ZA	1-C11	27	4	16011-ZV4-005	1-D4 3E
12155-ZV4-A00	1-C13	29	1	16013-ZW9-003	1-D4 3E
12166-ZW9-000	1-C10	26	1	16016-ZW9-003	1-D4 3E
12209-GB4-681	1-C16	32	1	16016-ZW9-721	1-D4 3E
12210-ZW9-405ZA	1-C10	26	2	16023-ZW9-003	1-D4 3E
12216-ZE2-300	1-E8	55	1	16024-ZV4-650	1-D4 3E
	1-E11	58	1	16028-ZV4-650	1-D4 3E

C Reference with "Part name index"

PART NAME INDEX					
Part name	Address	Page	Ref.		
[ A ]					
ABSORBER , FUEL	1-E15	62	5	BOLT ,	
ARMATURE COMP.	1-D11	43	7	BOLT ,	
ARM COMP. , LINK JOINT	1-G6	85	18	BOLT ,	
ARM COMP. , SHIFT LINK	1-G6	85	14	BOLT ,	
ARM COMP. , TILT	1-F15	79	20		
ARM , FUEL PUMP ROCKER	1-C16	32	4		
ARM , REVERSE LOCK	1-F15	79	18		
ARM , SHIFT LINK	1-F11	74	7		
ARM , STOPPER	1-D1	33	12	BOLT ,	
ARM , THROTTLE REMOTE	1-F11	74	6		
ARM , VALVE ROCKER	1-C16	32	3		
[ B ]					
BAG , TOOL , 160MM	1-G5	84	10		
BAND	1-G6	86	37		
BAND B1 , WIRE	1-F6	69	1		
BAND , CORD	1-F3	67	18	BOLT ,	
BAND , TUBE CLIP , 11MM	1-E15	63	20		
BAND , TUBE CLIP , 12.5MM	1-E15	63	19	BOLT ,	

Block No.

Address No.

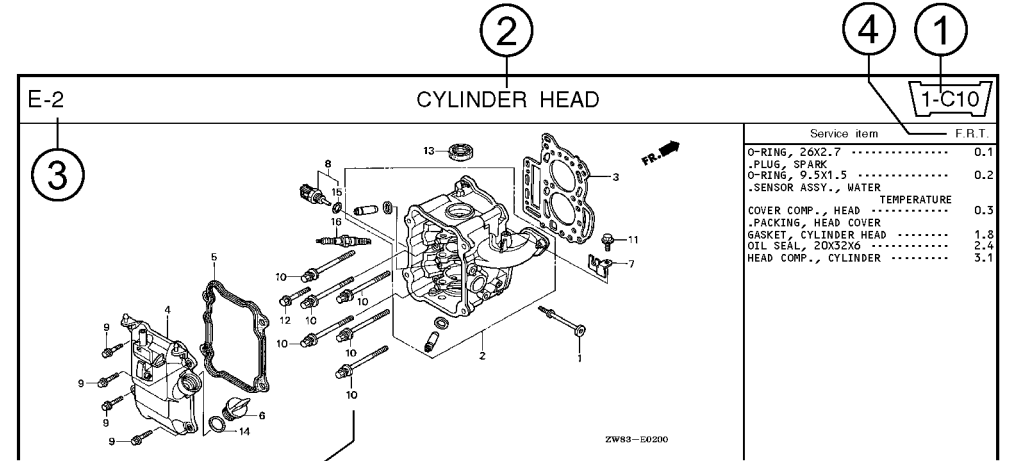
**E-2**      **CYLINDER HEAD**      **1-C10**

Ref. No.	Part No.	Description	Reqd. QTY						Serial No.	Parts catalogue code
			99D1	99D1	1001	1001	1001	1001		
1	12166-ZW9-000	STOPPER, ENGINE SIDE	2	2	2	2	2			
2	12210-ZW9-000ZA	HEAD COMP., CYLINDER	1	1	1	1	1			
3	12251-ZW9-003	GASKET, CYLINDER HEAD	1	1	1	1	1			
4	12310-ZW9-000	COVER COMP., HEAD	1	1	1	1	1			
5	12312-ZW9-000	PACKING, HEAD COVER	1	1	1	1	1			
6	15611-921-000	CAP, OIL	1	1	1	1	1			
7	16617-ZW9-000	HOLDER, CABLE	1	1	1	1	1		SC,SG	
	16617-ZW9-010		1	1	1	1	1	1001801	1001800 LHC,LHD	
			1	1	1	1	1		LHC,LHD	
8	35673-ZV5-003	SENSOR ASSY., WATER	1	1	1	1	1			
9	90003-ZW9-000	BOLT, FLANGE, 6X22	4	4	4	4	4			
10	90007-ZW9-003	BOLT, FLANGE, 8X83	6	6	6	6	6			
11	90011-ZW9-000	BOLT, FLANGE, 6X14(CT200)	1	1	1	1	1			
12	90020-ZW9-000	BOLT, FLANGE, 8X40	2	2	2	2	2			
13	91202-KJ9-003	OIL SEAL, 20X32X6	1	1	1	1	1			
14	91301-805-000	O-RING, 26X2.7	1	1	1	1	1			
15	91307-PK2-005	O-RING, 9.5X1.5(HONDA KIKAKI)	1	1	1	1	1			
16	98059-55916	PLUG, SPARK (CR5EH-9)	2	2	2	2	2			
	98059-55926	PLUG, SPARK (U16FER9)	2	2	2	2	2			

Page No.

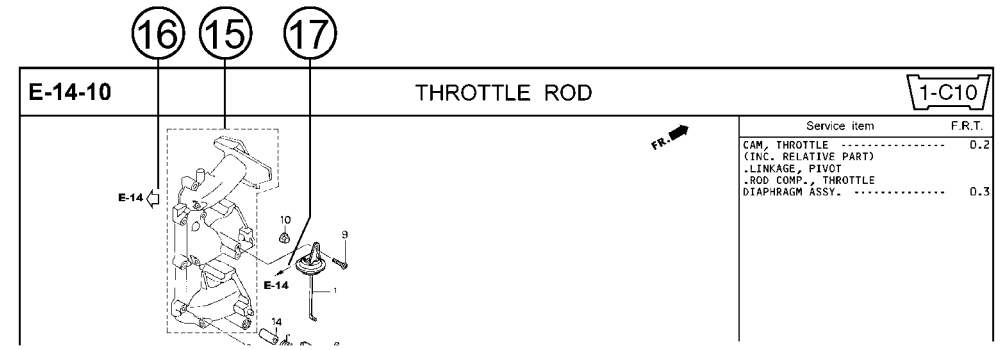
2000.09.20 E

Part catalogue structure



Service item	F.R.T.
O-RING, 26X2.7	0.1
.PLUG, SPARK	0.2
O-RING, 9.5X1.5	0.2
.SENSOR ASSY., WATER	
COVER COMP., HEAD - TEMPERATURE	0.3
.PACKING, HEAD COVER	
GASKET, CYLINDER HEAD	1.8
OIL SEAL, 20X32X6	2.4
HEAD COMP., CYLINDER	3.1

Ref. No.	Part No.	Description	Reqd. QTY						Serial No.	Parts catalogue code
			BF 9/9D1	BFP 9/9D1	BF 10D1	BFP 10D1	BF 10B1	BFP 10B1		
1	12166-ZW9-000	STOPPER, ENGINE SIDE	2	2	2	2	2	2		
2	12210-ZW9-000ZA	HEAD COMP., CYLINDER *NHS* ..... DARK GRAY	1	1	1	1	1	1		
3	12251-ZW9-003	GASKET, CYLINDER HEAD	1	1	1	1	1	1		
4	12310-ZW9-000	COVER COMP., HEAD	1	1	1	1	1	1		
5	12312-ZW9-000	PACKING, HEAD COVER	1	1	1	1	1	1		
6	15611-921-000	CAP, OIL (NO GAUGE)	1	1	1	1	1	1		
7	16617-ZW9-000 16617-ZW9-010	HOLDER, CABLE	1	1	1	1	1	1	----- SC,SG 1001800 LHC,LHD	



Service item	F.R.T.
CAM, THROTTLE (INC. RELATIVE PART)	0.2
.LINKAGE, PIVOT	
.ROD COMP., THROTTLE	
DIAPHRAGM ASSY.	0.3

- ① **Address number**
  - Address No. is provided (in place of the page No.) to help you refer to the part with the part No. or part name.
- ② **Block title** ③ **Block number**
- ④ **Service item/Flat rate time**
- ⑤ **Reference number**
  - Title number marked with the parenthesis or parentheses indicates that it continues from the previous page.
- ⑥ **Part number** ⑦ **Honda color code**
- ⑧ **Description**
- ⑨ **Assemblies**
  - Sections framed with broken lines in the exploded view drawings are available as complete assemblies. (Their individual parts can also be obtained.)
- ⑩ **Color description**
- ⑪ **Note**
  - Notes are shown with the parentheses in the part name column.
- ⑫ **Required quantity**
  - Required QTY shown in the parenthesis or parentheses indicates the optional part.
  - Required QTY marked with "N" Indicates the optional part that should be selected as needed.
  - Required QTY indicates the number of the part used in the block.
- ⑬ **Serial number**
- ⑭ **Type**
  - When the type column is blank, it indicates that the part is applicable to all types.
  - As the type of the actual unit may differ from the "parts catalogue, type" please refer to "Models, types and applicable serial numbers" for confirmation.
- ⑮ **Parts enclosed within a dotted line**
  - Parts enclosed within a dotted line are covered in a different block.
- ⑯ **Hollow arrow**
  - A hollow arrow indicates the block No. for the parts enclosed within a dotted line.
- ⑰ **Solid arrow**
  - A solid arrow indicates the block No. the part in question is connected to.

When the parts were revised

Abbreviations used in the parts catalogue

1



Be sure to check the serial number!!



Ref. No.	Part No.	Description	Reqd. QTY						Serial No.
			BF 9.9D1	BFP 9.9D1	BF 10D1	BFP 10D1	BF 10B1	BFP 10B1	
1	12166-ZW9-000	STOPPER, ENGINE SIDE	2	2	2	2	2	2	
2	12210-ZW9-000ZA	HEAD COMP., CYLINDER							
		*NH8*.....DARK GRAY	1	1	1	1	1	1	
3	12251-ZW9-003	GASKET, CYLINDER HEAD	1	1	1	1	1	1	
4	12310-ZW9-000	COVER COMP., HEAD	1	1	1	1	1	1	
5	12312-ZW9-000	PACKING, HEAD COVER	1	1	1	1	1	1	
6	15611-921-000	CAP, OIL (NO GAUGE)	1	1	1	1	1	1	
7	16617-ZW9-000	HOLDER, CABLE (###)	1	1	1	1	1	1	
	16617-ZW9-010		1	1	1	1	1	1	



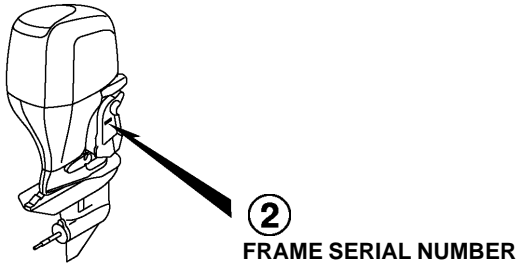
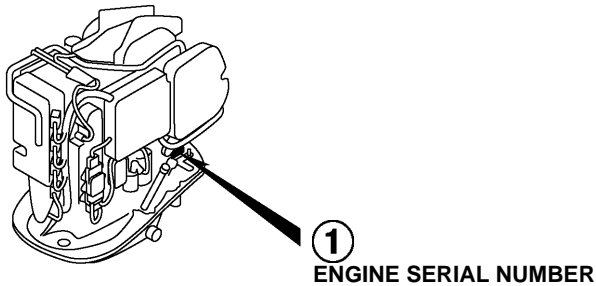
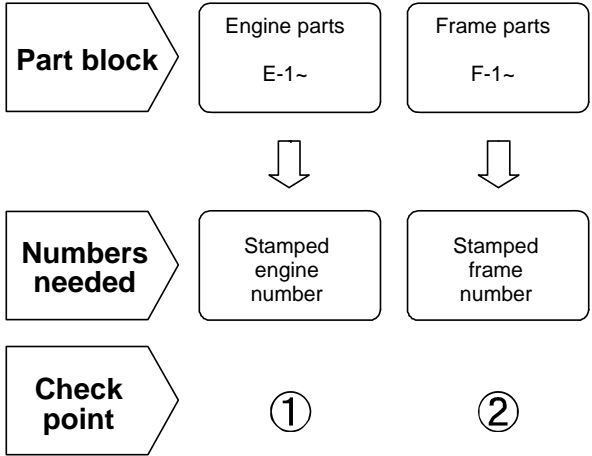
The number has been used from the initial model without revision. When shown at the left side, it is applicable to the models of No.1001801 and the subsequent numbers. When shown at the right side, it is applicable to the models up to No.1001800.

• The parts listed with "###" at the end of the parts name have limited supply period (parts not for sale).

• The following abbreviations are used in the parts name column.

- A ..... Ampere
- A.C. .... Alternating current
- ASSY. .... Assembly
- AT. .... Automatic transmission
- C.D.I. .... Capacitive discharge ignition
- COMP. ... Complete
- D.C. .... Direct current
- EX. .... Exhaust
- G.F.C.I ... Ground fault circuit interruptor
- HEX. .... Hexagonal
- H.S.T. .... Hydrostatic transmission
- FR. ....Front
- IN. ....Inlet
- L (100L) .Link (100 Links)
- L. ....Left
- MM .....Millimeter
- MT. ....Manual Transmission
- P.T.O. ....Power take off
- R. ....Right
- RR. ....Rear
- STD. ....Standard
- T (22T) ...Tooth (22 Teeth)
- V .....Volt
- W .....Watt

How to check the part block and serial numbers



### Models, parts catalogue codes and applicable serial numbers

1

- Models, parts catalogue codes and applicable serial Nos. given in this parts catalogue can be identified as follows.

Model	Type	Parts catalogue type	Engine		Applicable engine serial No.	Applicable frame serial No.
			Model	Type		
BF75DK2	LHGD	LHGD	BF75DK0	SE	BEBAJ-1000001~	BBAJ-1100001~
	LHTD	LHTD				
	LRTD	LRTD				
	LRTL	LRTL				
	LRTU	LRTU				
	XRTL	XRTL				
	XRTU	XRTU				
BF90DK2	LHGD	LHGD	BF90DK0	SE	BEBCJ-1000001~	BBCJ-1100001~
	LHTD	LHTD				
	LRTD	LRTD				
	LRTL	LRTL				
	LRTU	LRTU				
	XRTD	XRTD				
	XRTL	XRTL				
	XRTU	XRTU				
BF75DK3	LHGX	LHGX	BF75DK3	SE	BEBAJ-1200001~	BBAJ-1200001~
	LRTX	LRTX				

Model	Type	Parts catalogue type	Engine		Applicable engine serial No.	Applicable frame serial No.
			Model	Type		
BF90DK4	LHGX	LHGX	BF90DK4	SE	BEBCJ-1200001~	BBCJ-1300001~
	LHTD	LHTD				
	LRTD	LRTD				
	LRTL	LRTL				
	LRTR	LRTR				
	XRTD	XRTD				
	XRTL	XRTL				

Features of each type

1

• See the following table for the features of each type. (Items in brackets are optional)

Specifications		Model	BF75DK2						BF90DK2		
		Type	LHGD	LHTD	LRTD	LRTL	LRTU	XRTL	XRTU	LHGD	LHTD
Transom height	537 mm		●	●	●	●	●			●	●
	664 mm							●	●		
Steering handle			●	●	(●)	(●)	(●)	(●)	(●)	●	●
Remote control			(●)	(●)	●	(●)	(●)	(●)	(●)	(●)	(●)
Power trim-tilt				●	●	●	●	●	●		●
Damper			●							●	
Fuel tank			●	●	●	(●)	(●)	(●)	(●)	●	●

Specifications		Model	BF90DK2					BF75DK3		
		Type	LRTD	LRTL	LRTU	XRTD	XRTL	XRTU	LHGX	LRTX
Transom height	537 mm		●	●	●				●	●
	664 mm					●	●	●		
Steering handle			(●)	(●)	(●)	(●)	(●)	(●)	●	(●)
Remote control			●	(●)	(●)	●	(●)	(●)	(●)	●
Power trim-tilt			●	●	●	●	●	●		●
Damper									●	
Fuel tank			●	(●)	(●)	●	(●)	(●)	●	●

Specifications		Model	BF90DK4						
		Type	LHGX	LHTD	LRTD	LRTL	LRTR	XRTD	XRTL
Transom height	537 mm		●	●	●	●	●		
	664 mm							●	●
Steering handle			●	●	(●)	(●)	(●)	(●)	(●)
Remote control			(●)	(●)	●	(●)	(●)	●	(●)
Power trim-tilt				●	●	●	●	●	●
Damper			●						
Fuel tank			●	●	●	(●)	(●)	●	(●)

## Fuel hose, general purpose hoses and vinyl hose

1

- The standard part fuel hose, general purpose hose and vinyl hose may be substituted by the coiled bulk part.
- When ordering the standard part fuel hose, general purpose hose and vinyl hose use the bulk part number written in the parts catalog in brackets ( ) underneath the part name.
- When exchanging the hose, cut and use at the specified length as mentioned in the part name.  
(For the method of cutting the bulk part, and method of filling out orders etc., please refer to the instructions issued with the bulk part.)

### Bulk part number of fuel hose, general purpose hose and vinyl hose.

Example: 9 5 0 0 1 - 7 5 0 0 1 - 5 0 M

**Bulk part number:**  
Refers to the bulk part.

**Marking code (fuel hose and general purpose hose)**

**Change code (Vinyl hose)**

Indicates number mark or change sequence, however, the code for the bulk part must be strictly 0 (zero).

**Types of code:**

- |             |  |                |             |              |               |
|-------------|--|----------------|-------------|--------------|---------------|
| • Fuel hose | 2: Red outside braid<br>(3 mm inside dia. only)        | • General hose | 1: Ash gray | • Vinyl hose | 1: Clear      |
|             | 5: Black inside braid                                  |                | 2: Ash gray |              | 2: Black      |
|             | 3: Red (3 mm inside dia. only)                         |                | 3: Black    |              | 3: Light red  |
|             | 4: Ash gray with red stripe<br>(3 mm inside dia. only) |                | 5: Black    |              | 6: Light red  |
|             | 6: Black   |                |             |              | 7: Pale black |

**Lengths:**

- 001: 1 m (standard)  
003: 3 m  
008: 8 m } Application or specification of some parts is not settled.

**I.D code: (fuel hose and general purpose hose)**

- |            |                    |                    |                             |                             |
|------------|--------------------|--------------------|-----------------------------|-----------------------------|
| 30: 3.0 mm | 50: 5.0 mm         | 70: 7.0 mm         | 11: 11 mm                   | 12: 12 (outside dia. 17) mm |
| 35: 3.5 mm | 55: 5.3 mm, 5.5 mm | 75: 7.3 mm, 7.5 mm | 91: 12 (outside dia. 15) mm | 14: 14 mm                   |
| 45: 4.5 mm | 65: 6.5 mm         | 80: 8.0 mm         | 92: 12 (outside dia. 16) mm | 17: 17 mm                   |

**ID./OD. code: (vinyl hose)**

- |                         |                          |                           |                           |                           |
|-------------------------|--------------------------|---------------------------|---------------------------|---------------------------|
| 01: ID. 2.9, OD. 6.8 mm | 12: ID. 5.0, OD. 7.0 mm  | 21: ID. 8.0, OD. 9.0 mm   | 37: ID. 11.0, OD. 15.0 mm | 50: ID. 16.0, OD. 19.0 mm |
| 03: ID. 3.0, OD. 6.0 mm | 10: ID. 5.0, OD. 8.0 mm  | 23: ID. 8.0, OD. 12.0 mm  | 38: ID. 12.0, OD. 13.0 mm | 55: ID. 17.5, OD. 20.5 mm |
| 05: ID. 3.5, OD. 6.5 mm | 11: ID. 5.0, OD. 9.0 mm  | 25: ID. 9.0, OD. 11.0 mm  | 39: ID. 12.0, OD. 14.0 mm | 60: ID. 22.0, OD. 27.0 mm |
| 07: ID. 4.0, OD. 7.0 mm | 14: ID. 6.0, OD. 9.0 mm  | 27: ID. 9.0, OD. 13.0 mm  | 40: ID. 12.0, OD. 16.0 mm |                           |
| 08: ID. 4.5, OD. 6.5 mm | 17: ID. 7.0, OD. 9.0 mm  | 33: ID. 10.0, OD. 14.0 mm | 43: ID. 13.0, OD. 15.0 mm |                           |
| 09: ID. 4.5, OD. 8.0 mm | 19: ID. 7.0, OD. 11.0 mm | 36: ID. 11.0, OD. 13.0 mm | 45: ID. 14.0, OD. 18.0 mm |                           |

**Hose type:**

- 1: Fuel hose  
3: Vinyl hose  
5: General hose

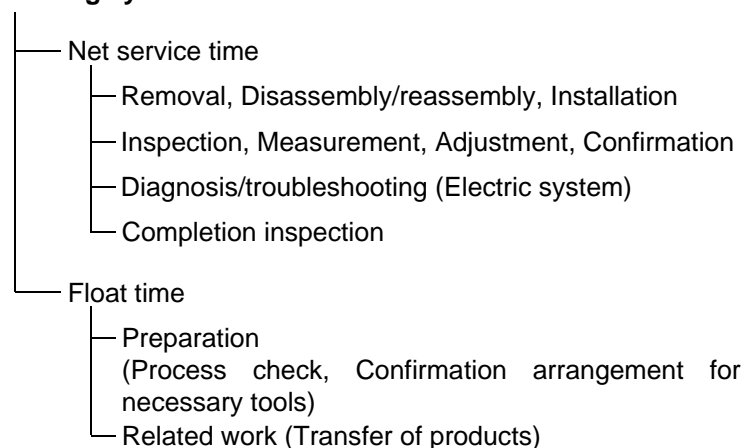
⊙ **CAUTION: It is DANGEROUS to confuse the fuel hose with the general purpose hose or vinyl hose.**

Never use a general purpose hose or vinyl hose in place of a fuel hose or vice versa. Always use the correct bulk part in the parts catalogue, according to the service manual or the instructions issued with the bulk part.

## FLAT RATE SERVICE TIME

Flat rate service time (FRT) means the standard time required to service a product, which is listed in this manual to help the dealers control the actual working process and calculate the service charge by using it as a guide.

### FRT setting system



\* Float time is set by multiplying the net service time by a given coefficient.

### Editorial style

The service items shown in the text are listed with the exchange work time for the repair sales parts as the subject. Other representative service items not using repair parts (removal/installation, adjustment, inspection/measuring, and other work) are listed collectively in the list in the preface, classified according to the work.

### FRT setting standard

- Decimal system (in unit of 0.1) is adopted to set FRT as it is convenient to calculate the wage.  
Example: (0.1) → 6 minutes, (0.2) → 12 minutes  
[Labor cost per hour] x [FRT] = [Wage]
- FRT is set with a hand tool.
- Service items and FRT can be subject to change depending on development of tools and service equipment and improvement in service procedure.

**Work procedure**

- As the work procedure is set with the work time according to the method in the separate Service Manual, refer to this Manual as required.
- Work methods permitting servicing in the shortest time still permitting assurance of safe work and product warranty are used for the setting of service items not listed in the Service Manual.
- Work basically is to be performed by one person, and when two or more people are required, setting is done as the total time for the number of people.
- The set value for the technological level of the workers uses a person with three years of experience in the repair of Honda products as the standard.
- Special tools and service equipment used to set FRT are those specified or recommended in Service Manual.

**Service item whose FRT is not presented**

- Accessories and service parts that are not listed to use in this manual.
  - Locations with little aging deterioration or breakage during normal use.
  - Service work that can be finished by one touch.
  - Service work that is seldom done (i.e. extremely small causes of trouble and service frequency).
  - Products and parts whose location for installation differs according to its status of use and application.
- \* When FRT is not presented, please calculate wages based on appropriate actual work time.

**Operation not included of FRT**

- Oil and coolant water draining, Waiting time for warming up operation and etc..
- Additional operation that involves removal/installation of standard exterior equipment.
- Indirect time spent for service by visiting the customer, trade-in, and delivery.
- Indirect time required for ordering and delivery of parts.
- Cost for grease, adhesive agent, etc. used for service work.

**Explanation of FRT by using an example  
(The example may differ from the actual presented items)**

Ref. No.	L.O.N.	(Relative ref. Number) Description	F.R.T.
①	1111L1	④ (1, 3, 4, 7) VALVE, INTAKE .....4.1	②
②		• NOTE: OHV type ⑥	⑦
③	1111L1A	• Includes: Engine removal and installation One head (intake all) add .....1.4 ⑤	

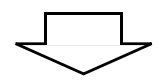
- ① Reference No. of the illustration of part that shows location of the replacement work.
- ② FRT is an abbreviation of Flat Rate Time indicating the standard service time required for the replacement.
- ③ LON is an abbreviation of Labor Operation Number, and it is a classification of the service items by the work unit code.  
  
The same operation code is used regardless of the models.  
  
Standard operation is indicated with 6 digits code, and additional operation is indicated with 7 digits code.
- ④ Indicating the intake valve replacement and FRT4.1.
- ⑤ Indicating FRT1.4 that will be added when additional operation (whole intake side of one cylinder head) is done in association with intake valve replacement.

- ⑥ Indicating work condition or application condition of the service item.
- ⑦ Indicating work contents that are included in the service item.
- ⑧ Indicating a reference No. whose operation and time are the same as FRT4.1 for the intake valve.

(The application range is limited to the service items without an LON setting within a same block.)

**How to refer to the service item by using the sample  
(intake valve replacement)**

Open to the page of the block where the intake valve's spare part illustration is shown.



Look for the intake valve illustration, and refer to the service item and FRT that agree with the reference No.

Indication mark for the listing of service items that continues to the following page

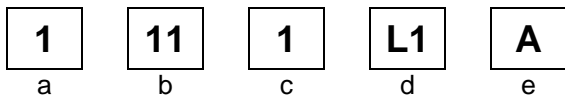
Ref. No.	L.O.N.	(Relative ref. Number) Description	F.R.T.
2	1111L1	VALVE, INTAKE .....	4.1
	.	.	.
	.	.	.

+  
Mark indicated at the last line.

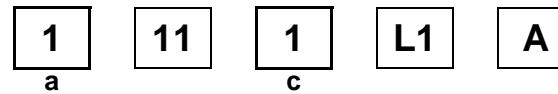
Indication of the block with no setting of FRT

Ref. No.	L.O.N.	(Relative ref. Number) Description	F.R.T.
NO INFORMATION .....			

• LON code system



- a) Category code..... Engine
- b) Location/function code..... Engine upper
- c) Operation code..... Replace
- d) Operation sequence number (Unit code can be shown with alphabet)  
..... Intake valve  
(No regular rule of code)
- e) Additional code ..... One head (intake all)  
(No regular rule of code)



a) Category codes and classification

Code	Category
1	Engine
2	Power drive
3	Fuel & Exhaust
4	Frame & Body
5	Steering
6	Electrical
7	Axle & Brake
8	Control system
9	-
0	Attachments

c) Operation codes and classification

Code	Operation category
1	Replace, Removal/Installation, Change
2	Overhaul
3	Adjust, Rotation
4	(Paint-related work: Top-coat)
5	Test, Inspect/diagnose, Measurement
6	(Overhaul-related work: Rebore)
7	(Overhaul-related work: Reseal)
8	(Resurface)
9	(Paint-related work: Refinish)
0	Repair, Cleaning, Air bleeding

Major service items without using spare parts

- (1) Removal/Installation, (2) Adjustment,  
(3) Inspection/Masurement, (4) Overhaul, (5) Other work

E: Engine, T: Transmission, D: Drive system,  
B: Body and related parts

### (1) Removal/Installation

Set with the parts configuration in the status of being removed from the product.

	LON	DESCRIPTION	FRT
E	1001A2	ENGINE-REMOVAL/INSTALLATION	4.3
D	2101S4	GEAR CASE-REMOVAL/INSTALLATION	0.7
B	8171D4	POWER TRIM-TILT ASSEMBLY-REMOVAL/INSTALLATION INCLUDES: Engine-removal/installation	5.1

### (2) Adjustment

	LON	DESCRIPTION	FRT
E	1113A1	VALVE CLEARANCE-ADJUSTMENT NOTE: For 1 product	1.6
	3113A4	ENGINE IDLE-ADJUSTMENT	0.3
	8113B1	THROTTLE CABLE-ADJUSTMENT	0.3

### (3) Inspection, Measurement, Cleaning

	LON	DESCRIPTION	FRT
E	1105A0	ENGINE OIL-INSPECTION	0.2
	1115A0	CYLINDER COMPRESSION-TEST NOTE: All cylinders	0.7
	3100A1	FUEL STRAINER-CLEANING	0.2
	3100A2	WATER SEPARATOR-CLEANING	0.9
	3105A0	VAPOR SEPARATOR FUEL STRAINER-INSPECTION	1.2

E	3115A0	FUEL PRESSURE/DISCHARGE-TEST	0.2
	6140A0	SPARK PLUG-ADJUSTMENT/CLEANING INCLUDES: Spark plug check NOTE: For 1 product	0.4

### (5) Other work

	LON	DESCRIPTION	FRT
E	1101E1	ENGINE OIL-CHANGE INCLUDES: Engine oil-inspection	0.3
D	2101S3	GEAR CASE OIL-CHANGE	0.3

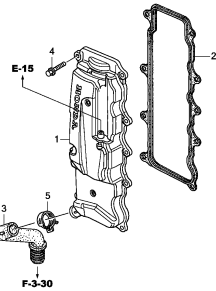
# ENGINE GROUP

**B16**

**E-1**

CYLINDER HEAD COVER

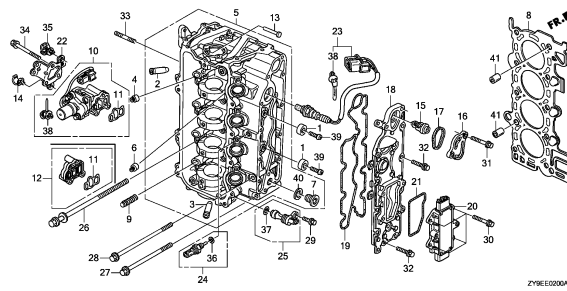
**D 1**



**E-2**

CYLINDER HEAD

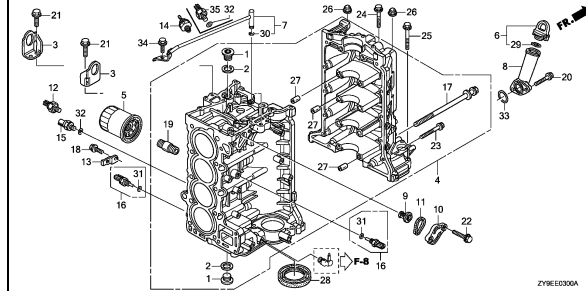
**D 2**



**E-3**

CYLINDER BLOCK

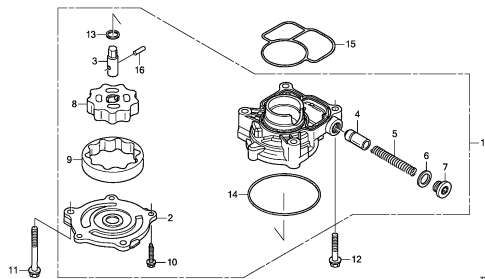
**D 4**



**E-5**

OIL PUMP

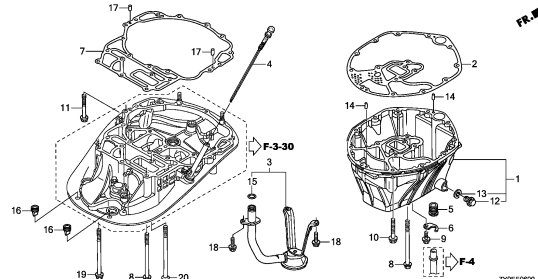
**D 6**



**E-6**

OIL CASE

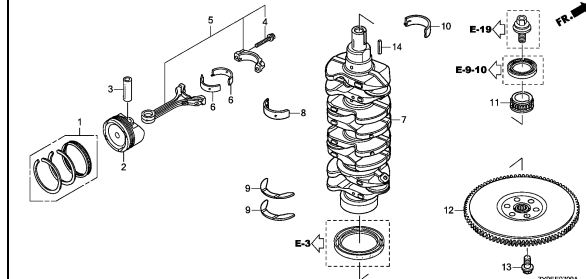
**D 7**



**E-7**

CRANKSHAFT/PISTON

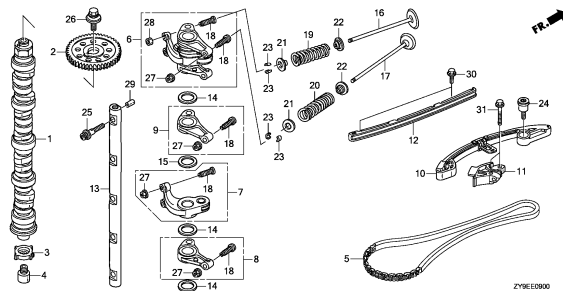
**D 8**



**E-9**

CAMSHAFT/VALVE

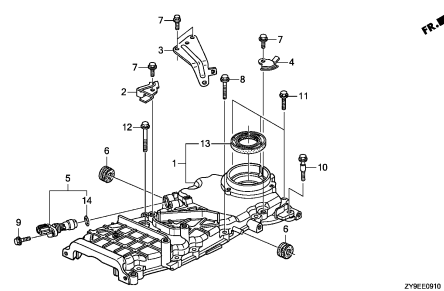
**D10**



**E-9-10**

CHAIN CASE

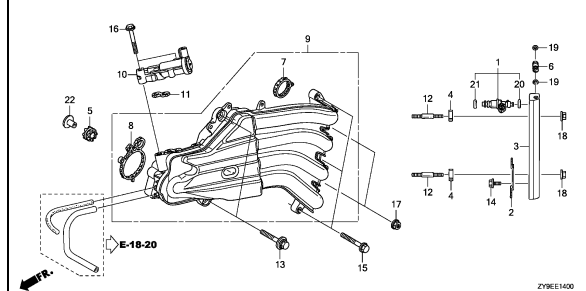
**D13**



**E-14**

INLET MANIFOLD/INJECTOR

**D14**



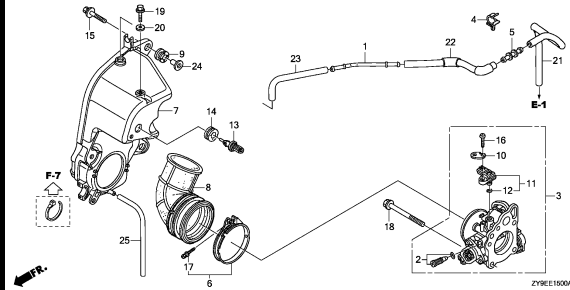
# ENGINE GROUP

C 1

E-15

D15

SILENCER CASE/THROTTLE BODY

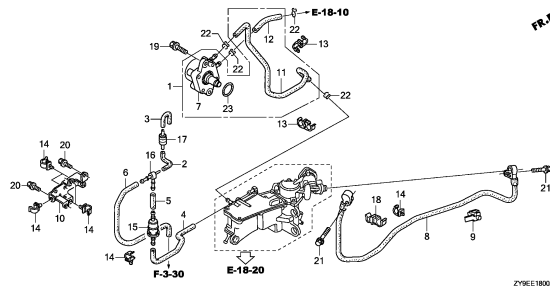


ZY9E180A

E-18

E 1

FUEL PUMP

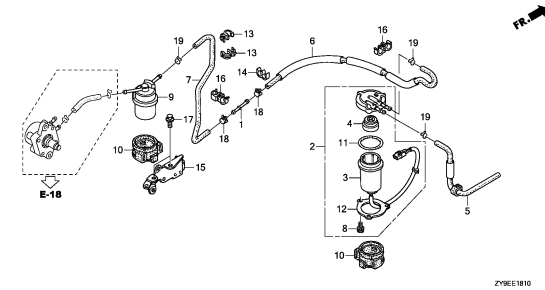


ZY9E180A

E-18-10

E 2

WATER SEPARATOR

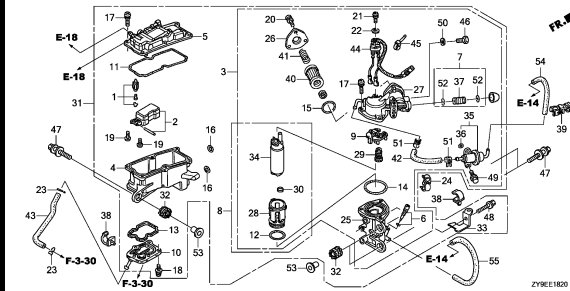


ZY9E1810

E-18-20

E 3

VAPOR SEPARATOR

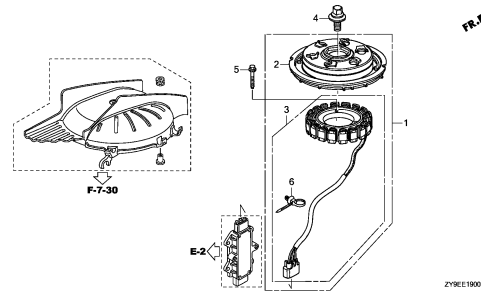


ZY9E1820

E-19

E 6

A.C. GENERATOR

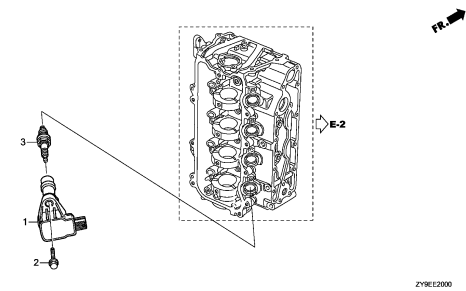


ZY9E1900

E-20

E 7

PLUG TOP COIL

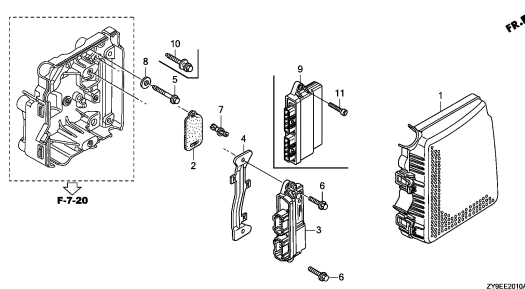


ZY9E2000

E-20-10

E 8

ELECTRONIC CONTROL UNIT

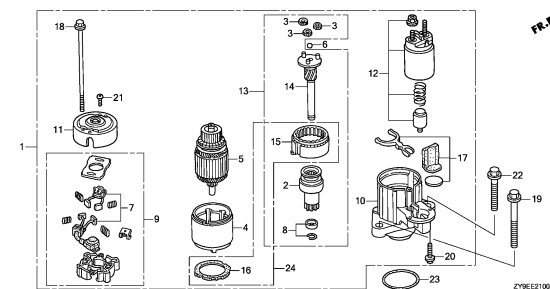


ZY9E2010A

E-21

E 9

STARTER MOTOR

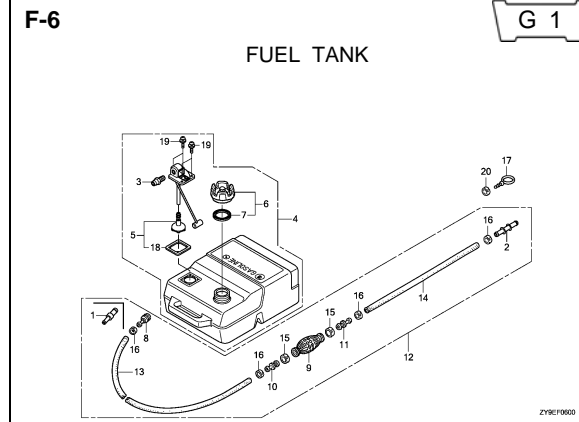
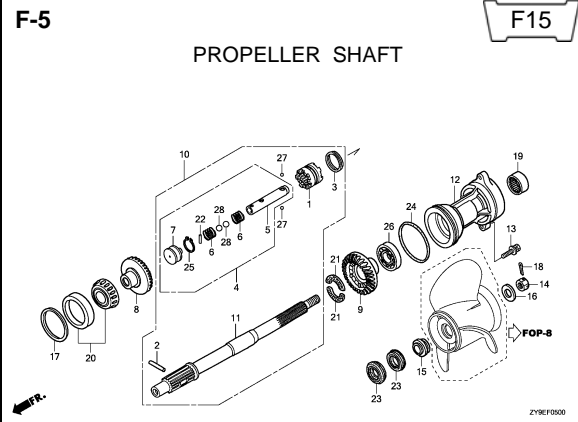
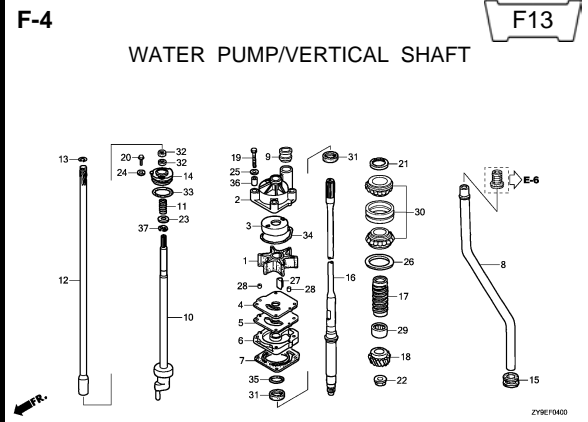
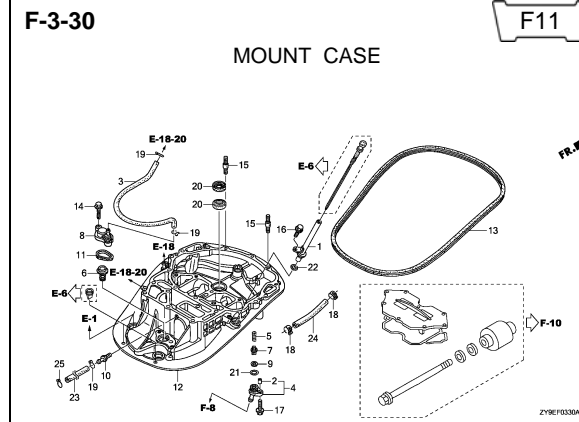
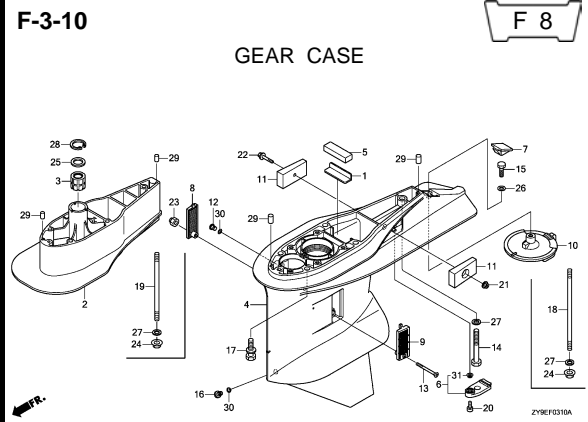
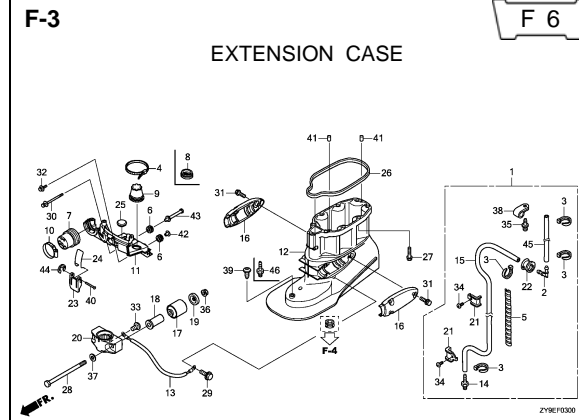
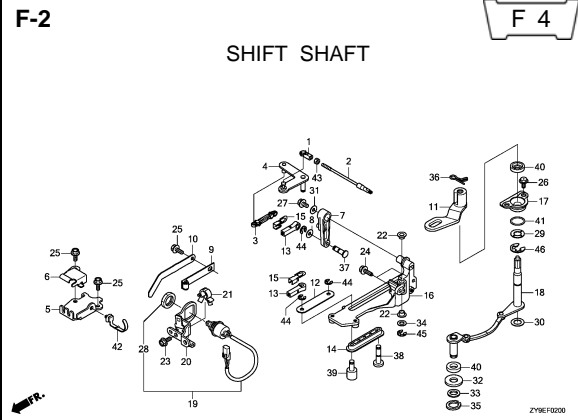
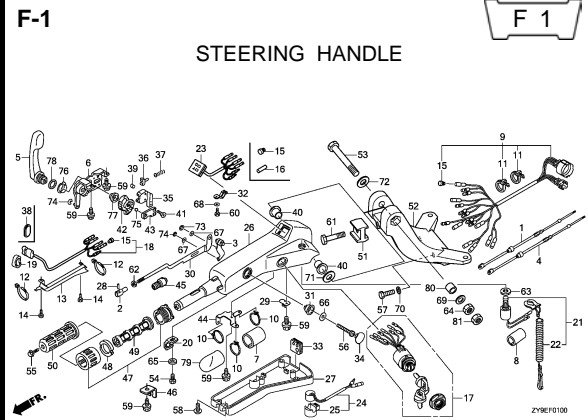


ZY9E2100A

2

# FRAME GROUP

C 2



3

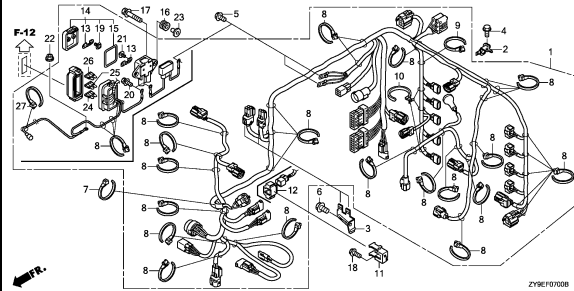
# FRAME GROUP

C 3

F-7

MAIN WIRE HARNESS

G 4

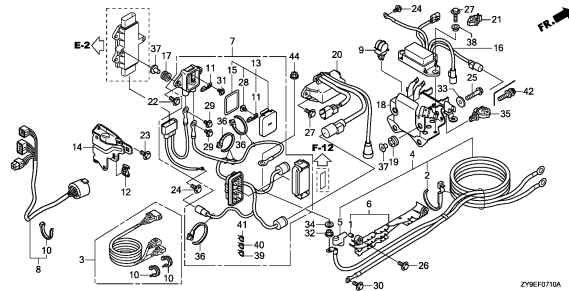


ZY9EF0700

F-7-10

STARTER CABLE

G 6

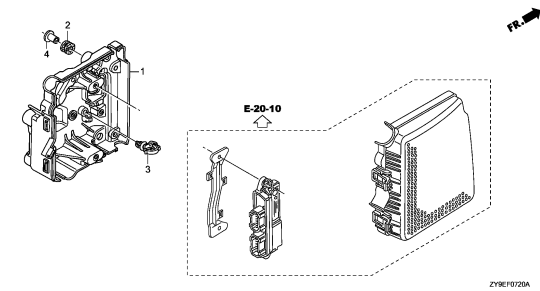


ZY9EF0710A

F-7-20

ELECTRONIC PARTS CASE

G 8

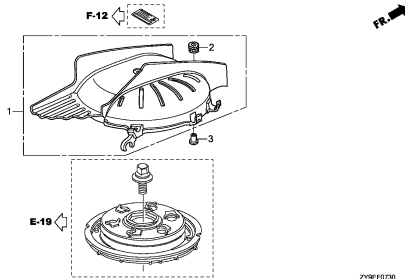


ZY9EF0720A

F-7-30

A.C. GENERATOR COVER

G 9

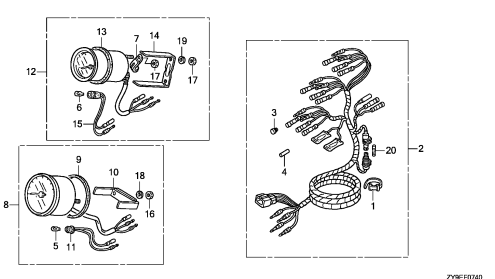


ZY9EF0730

F-7-40

TRIM METER/TACHOMETER

G10

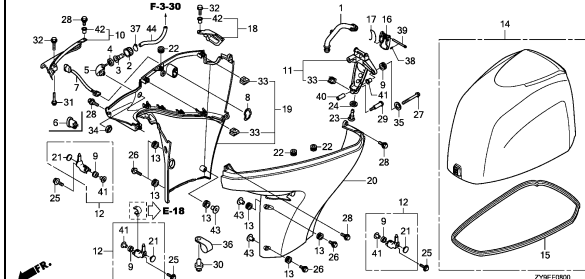


ZY9EF0740

F-8

ENGINE COVER/UNDER COVER

G12

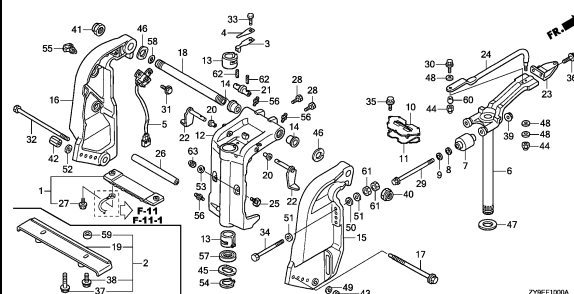


ZY9EF0800

F-10

STERN BRACKET/SWIVEL CASE

G14

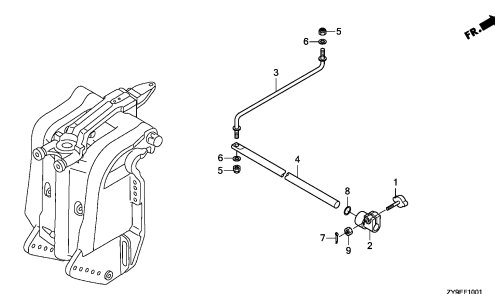


ZY9EF1000A

F-10-1

STEERING FRICTION SHAFT

H 2

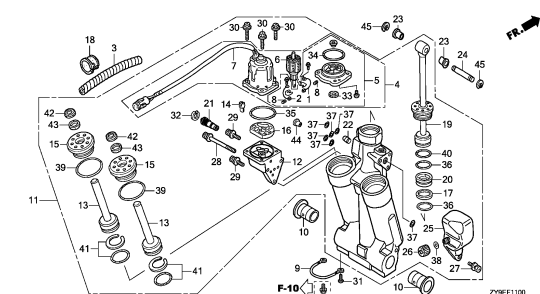


ZY9EF1001

F-11

POWER TRIM-TILT

H 3



ZY9EF1100

3

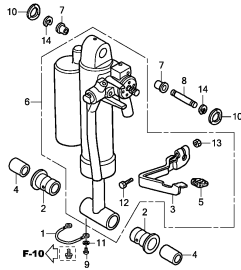
# FRAME GROUP

C 4

F-11-1

DAMPER

H 6

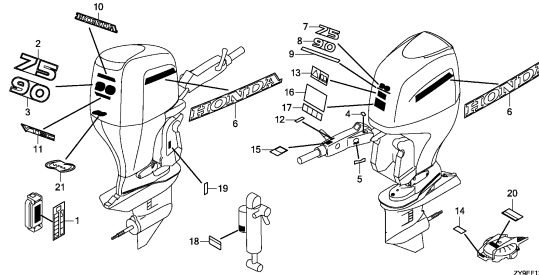


ZY9EF1101

F-12

LABEL

H 7

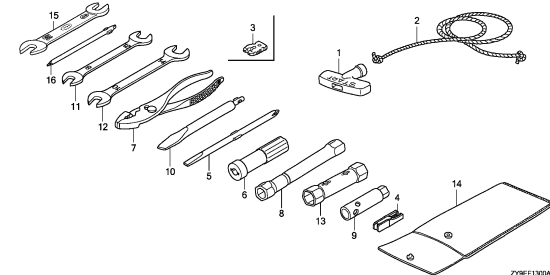


ZY9EF1200

F-13

TOOL/OTHER PARTS

H 9

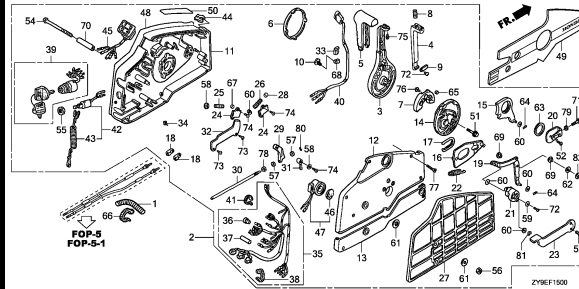


ZY9EF1300A

F-15

REMOTE CONTROL(1)

H10

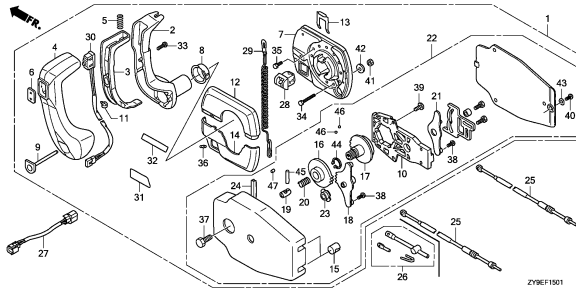


ZY9EF1500

F-15-1

REMOTE CONTROL(2)

H15

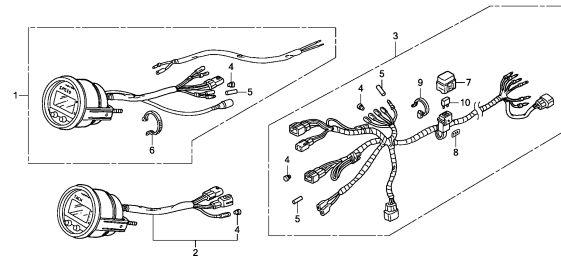


ZY9EF1501

FOP-1

SPEEDOMETER KIT

I 2

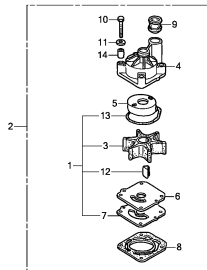


ZY9EY0100

FOP-3

IMPELLER PUMP KIT

I 3

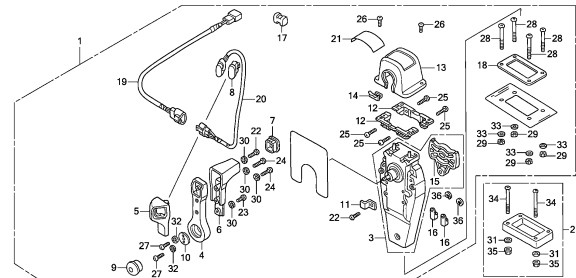


ZY9EY0300

FOP-4

REMOTE CONTROL(TOP MOUNT SINGLE TYPE)(RIGHT)

I 4

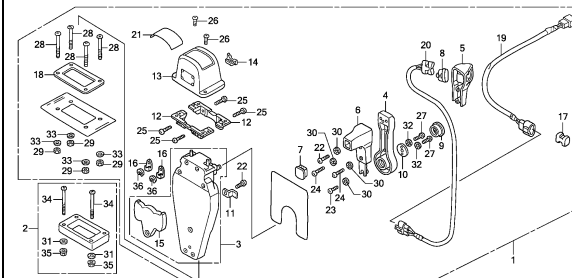


ZY9EY0400

FOP-4-1

REMOTE CONTROL(TOP MOUNT SINGLE TYPE)(LEFT)

I 6



ZY9EY0401

3

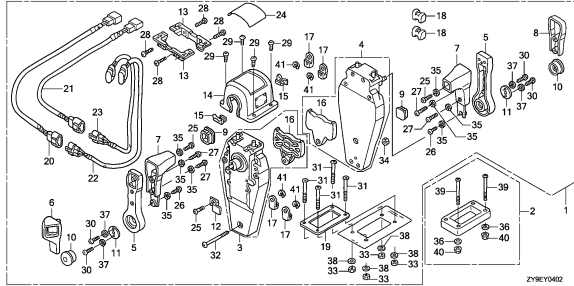
# FRAME GROUP

**C 5**

**FOP-4-2**

**I 8**

REMOTE CONTROL(TOP MOUNT DUAL TYPE)(RIGHT)

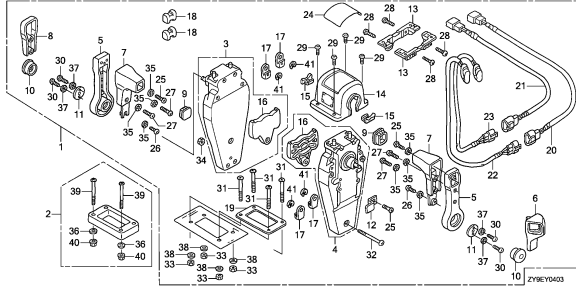


ZY9EY0402

**FOP-4-3**

**I10**

REMOTE CONTROL(TOP MOUNT DUAL TYPE)(LEFT)

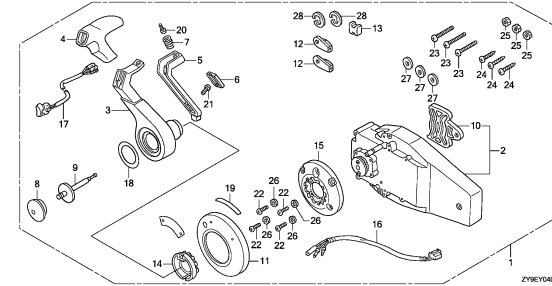


ZY9EY0403

**FOP-4-4**

**I12**

REMOTE CONTROL(FLUSH MOUNT TYPE)(RIGHT)

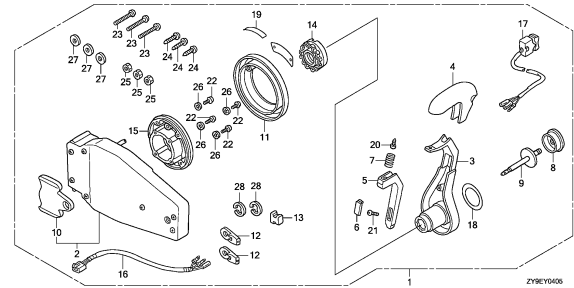


ZY9EY0404

**FOP-4-5**

**I14**

REMOTE CONTROL(FLUSH MOUNT TYPE)(LEFT)

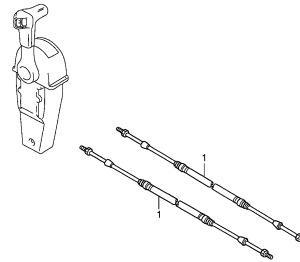


ZY9EY0405

**FOP-5**

**I16**

CABLE(SINGLE)

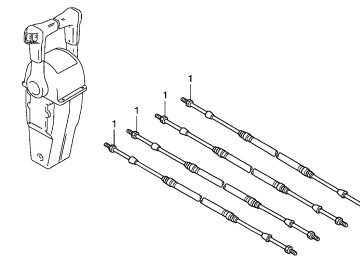


ZY9EY0500

**FOP-5-1**

**J 3**

CABLE(DUAL)

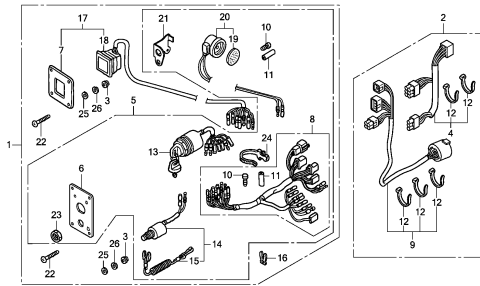


ZY9EY0501

**FOP-6**

**J 6**

SWITCH PANEL KIT(1)

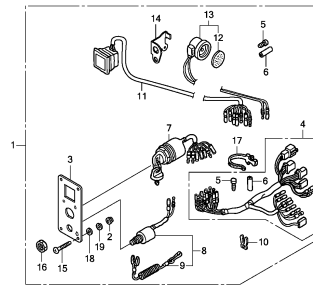


ZY9EY0600

**FOP-6-1**

**J 8**

SWITCH PANEL KIT(2)

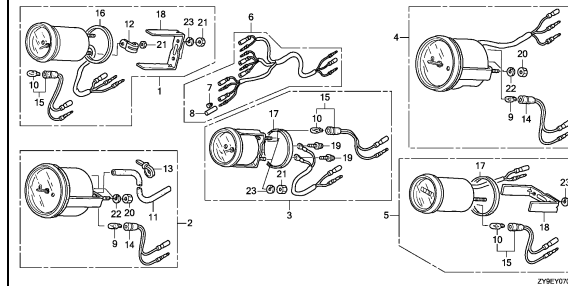


ZY9EY0601

**FOP-7**

**J 9**

METER KIT



ZY9EY0700

**3**

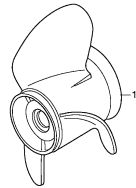
# FRAME GROUP

C 6

FOP-8

PROPELLER

J11

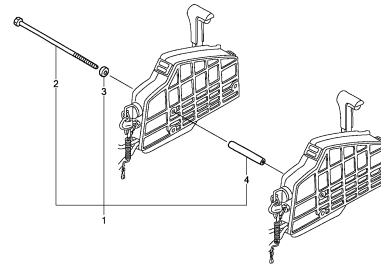


ZYREY080

FOP-9

BOLT KIT

J13

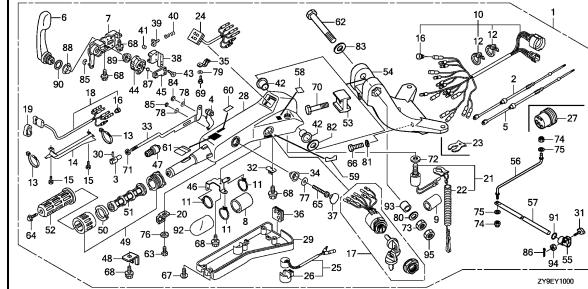


ZYREY090

FOP-10

STEERING HANDLE KIT

J14

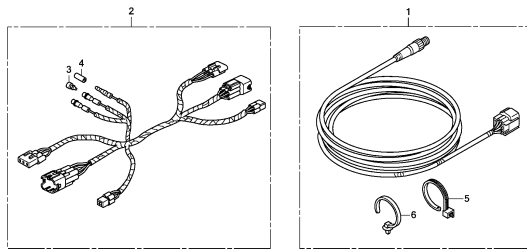


ZYREY100

FOP-11

INTERFACE CABLE KIT

K 2

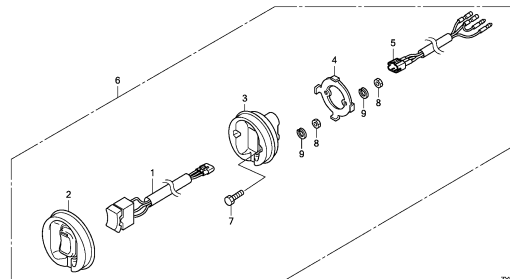


ZYREY110

FOP-12

TROLLING CONTROL SWITCH

K 3



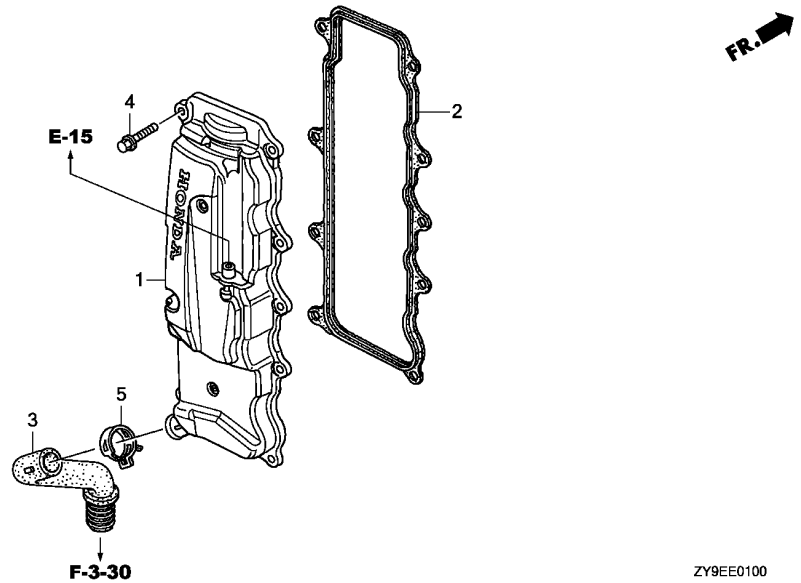
ZYREY120

3

E-1

CYLINDER HEAD COVER

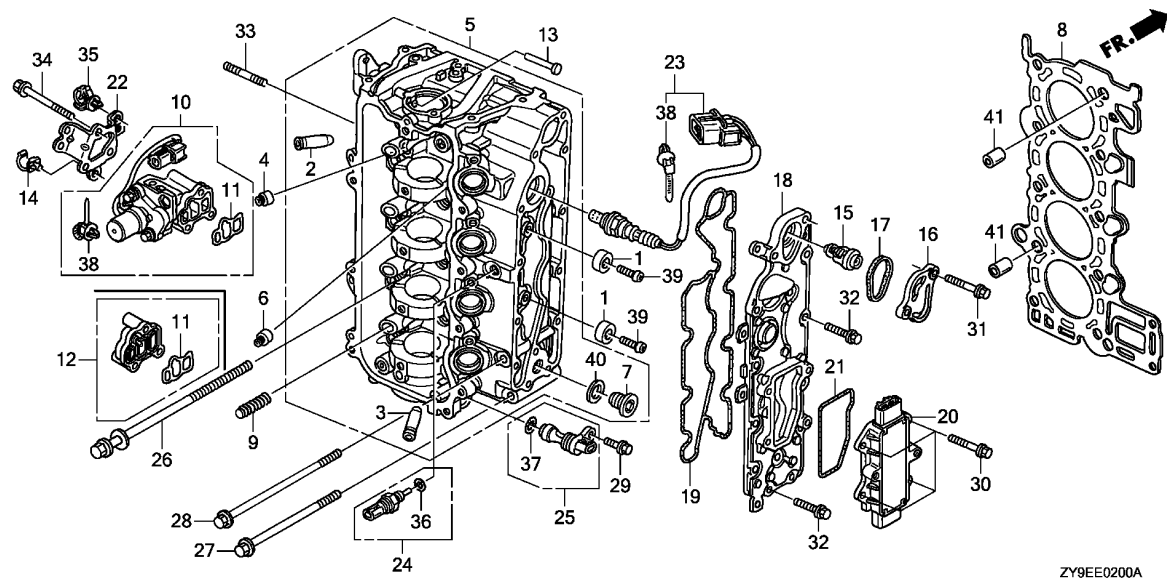
D 1



Ref. No.	L.O.N.	(Relative ref. Number) Description	F.R.T.
1		(2) CYLINDER HEAD COVER AND/OR	
	1111D5	PACKING .....	0.8
3	1171A6	TUBE, OIL RETURN .....	0.6

Ref. No.	Part No.	Description	Reqd. QTY				Serial No.	Parts catalogue code
			BF 75D K2	BF 90D K2	BF 75D K3	BF 90D K4		
1	12310-ZY9-010	COVER COMP., CYLINDER HEAD ..	1	1	1	1		
2	12312-ZY9-000	PACKING, HEAD COVER .....	1	1	1	1		
3	15422-ZY9-010	TUBE, OIL .....	1	1	1	1		
4	90030-ZY3-000	BOLT, FLANGE, 6X22 .....	9	9	9	9		
5	90606-ZW5-030	CLAMP, TUBE(D29) .....	1	1	1	1		

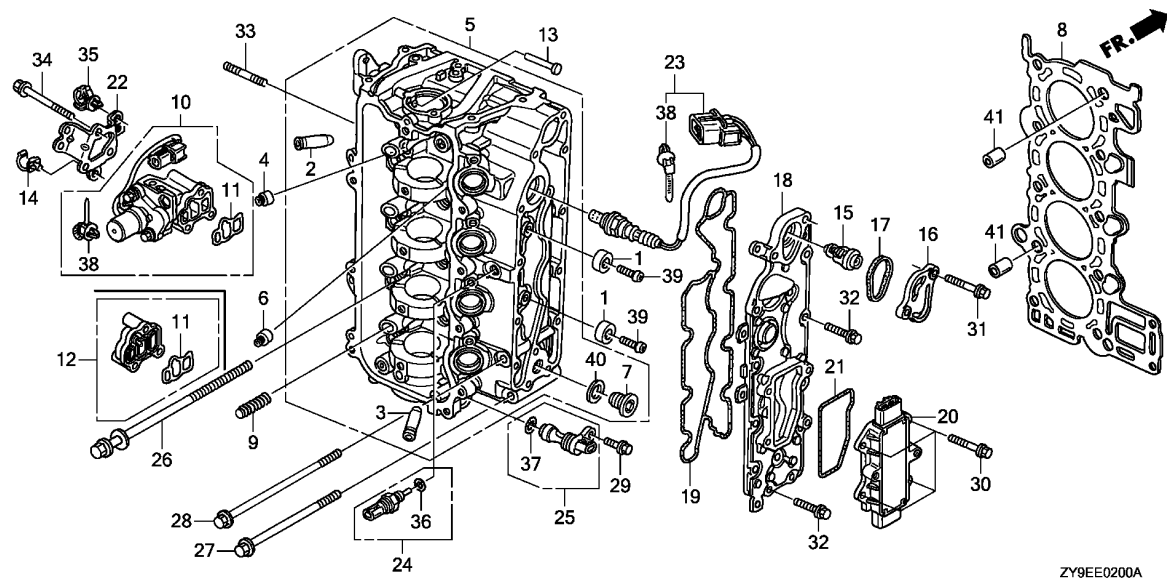
2



Ref. No.	L.O.N.	(Relative ref. Number) Description	F.R.T.
1	3131P5	METAL, EXHAUST ANODE :UPPER .. .NOTE: Same time for two units	0.7
	3131P6	METAL, EXHAUST ANODE :LOWER .. .NOTE: Same time for two units	0.7
2	1111E9	GUIDE, INTAKE VALVE .....	4.6
		.INCLUDES: Valve clearance adjustment	
	1111E9D	.Replace intake all add .....	2.1
	1111E9E	.Replace intake and exhaust all add .....	4.5
3	1111E8	GUIDE, EXHAUST VALVE .....	4.6
		.INCLUDES: Valve clearance adjustment	
	1111E8D	.Replace exhaust all add .....	2.1
	1111E8E	.Replace intake and exhaust all add .....	4.5
4	1111K2	SEAL, INTAKE VALVE STEM .....	4.1
		.INCLUDES: Valve clearance adjustment	
	1111K2D	.Replace intake all add .....	0.5
	1111K2E	.Replace intake and exhaust all add .....	1.1
5	1111N3	HEAD, CYLINDER .....	7.6
		.INCLUDES: Valve clearance adjustment and reface	

ZY9EE0200A

Ref. No.	Part No.	Description	Reqd. QTY				Serial No.	Parts catalogue code
			BF 75D K2	BF 90D K2	BF 75D K3	BF 90D K4		
1	12155-ZV5-000	METAL, ANODE .....	2	2	2	2		
2	12204-PJ7-305	GUIDE, IN. VALVE(OS) .....	8	8	8	8		
3	12205-PJ7-305	GUIDE, EX. VALVE(OS) .....	8	8	8	8		
4	12210-PZ1-004	SEAL A, VALVE STEM(NOK) .....	8	8	8	8		
5	12210-ZY9-000ZA	HEAD COMP., CYLINDER						
		*NH8*.....DARK GRAY	1	1	-	-		
	12210-ZY9-H00ZA	*NH8*.....DARK GRAY	-	-	1	1		
6	12211-PZ1-004	SEAL B, VALVE STEM(NOK) .....	8	8	8	8		
7	12217-ZW1-010	BOLT, SEALING, 20MM .....	2	2	2	2		
8	12251-ZY9-013	GASKET COMP., CYLINDER HEAD .....	1	1	1	1		
9	14820-PZA-013	MOTION COMP., LOST .....	-	4	-	4		
10	15810-ZZ0-003ZA	VALVE ASSY., SPOOL						
		*NH8*.....DARK GRAY	-	1	-	1		
11	15815-RAA-A02	FILTER ASSY., SPOOL VALVE ...	1	1	1	1		
12	15815-ZY9-000	COVER ASSY., OIL PATH .....	1	-	1	-		
13	16717-ZY9-000	LIFTER, FUEL PUMP .....	1	1	1	1		
14	16896-ZY9-003	CLAMP B, FUEL TUBE .....	1	1	1	1		
15	19300-ZY6-003	THERMOSTAT ASSY. ....	1	1	1	1		
16	19315-ZW9-000	COVER, THERMOSTAT .....	1	1	1	1		
17	19317-ZW9-000	O-RING, THERMOSTAT COVER ...	1	1	1	1		
18	19361-ZY9-010	COVER, WATER JACKET .....	1	1	1	1		
19	19371-ZY9-000	PACKING, EX. WATER JACKET						
		COVER	1	1	1	1		
20	31750-ZY9-003	RECTIFIER ASSY., REGULATOR ..	1	1	1	1		
21	31754-ZY9-000	PACKING, REGULATOR .....	1	1	1	1		



ZY9EE0200A

Ref. No.	L.O.N.	(Relative ref. Number) Description	F.R.T.
6	1111K1	SEAL, EXHAUST VALVE STEM ..... .INCLUDES: Valve clearance adjustment	4.1
	1111K1D	.Replace exhaust all add .....	0.5
	1111K1E	.Replace intake and exhaust all add .....	1.1
8	1111N4	GASKET, CYLINDER HEAD .....	3.4
10	1111L2	VALVE, SPOOL .....	0.4
11	1111E6	FILTER, SPOOL VALVE .....	0.3
12	1111Z6	COVER, OIL PATH .....	0.3
15	1141M0	THERMOSTAT(CYLINDER HEAD SIDE) (17)	0.2
16	1141M2	THERMOSTAT COVER AND/OR PACKING(CYLINDER HEAD SIDE) .	0.1
18	1141H4	COVER, WATER JACKET .....	0.6
19	1141C3	PACKING, EXHAUST WATER JACKET COVER .....	0.6
20	6131B7	RECTIFIER, REGULATOR .....	0.2
21	6131F2	PACKING, REGULATOR .....	0.1
23	312175	SENSOR, OXYGEN .....	0.2
24	3131K2	SENSOR, EXHAUST WATER TEMPERATURE .....	0.2
25	3121H8	SENSOR, TDC .....	0.5

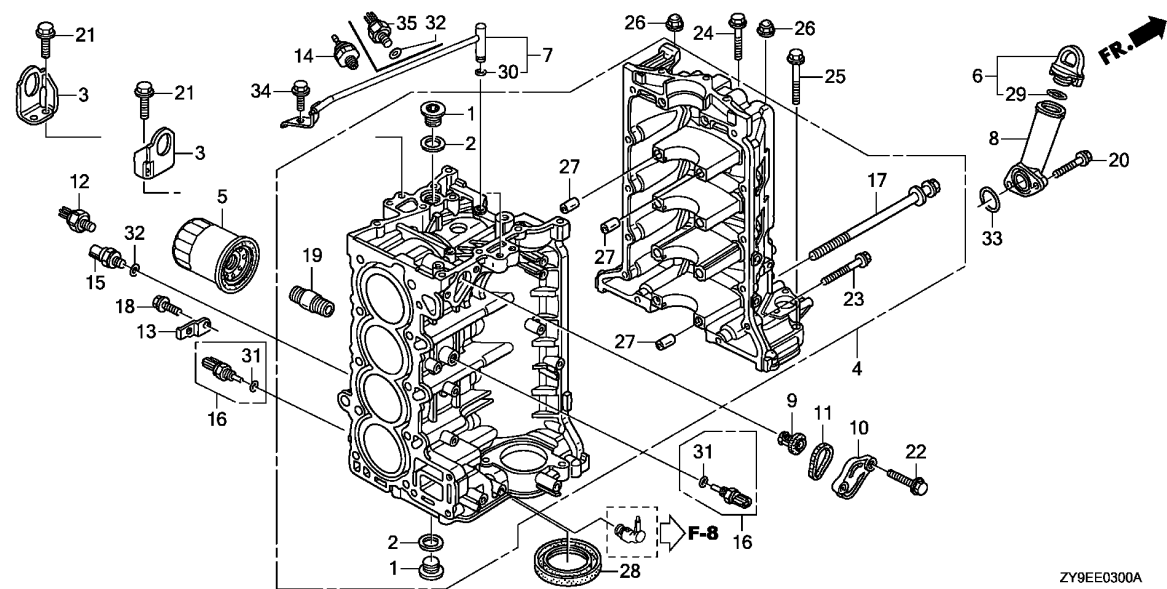
Ref. No.	Part No.	Description	Reqd. QTY				Serial No.	Parts catalogue code
			BF 75D K2	BF 90D K2	BF 75D K3	BF 90D K4		
22	32114-ZY9-000	BRACKET D, HARNESS CLIP .....	1	1	1	1		
23	35655-ZY9-003	SENSOR, OXYGEN .....	1	1	-	-		
	35655-ZY9-H01	.....	-	-	1	1		
24	35673-ZY3-003	SENSOR ASSY., WATER						
		TEMPERATURE	1	1	1	1		
25	35695-ZY9-003	SENSOR ASSY., TDC .....	1	1	1	1		
26	90008-PWA-003	BOLT-WASHER, 9X155 .....	10	10	10	10		
27	90011-ZY9-000	BOLT, FLANGE, 8X95 .....	1	1	1	1		
28	90016-ZY9-000	BOLT, FLANGE, 8X110 .....	1	1	1	1		
29	90017-ZY3-000	BOLT, FLANGE, 6X16 .....	1	1	1	1		
30	90018-ZW5-000	BOLT, FLANGE, 6X20 .....	4	4	4	4		
31	90019-ZW9-000	BOLT, FLANGE, 6X35 .....	2	2	2	2		
32	90030-ZY3-000	BOLT, FLANGE, 6X22 .....	12	12	12	12		
33	90047-ZY6-000	BOLT, STUD, 8X32 .....	2	2	2	2		
34	90147-ZW4-000	BOLT, FLANGE, 6X55 .....	3	3	3	3		
35	90691-ZB7-003	CLIP, HARNESS .....	1	1	1	1		
36	91307-PNA-003	O-RING, 9.5X1.9 .....	1	1	1	1		
37	91333-PNA-003	O-RING, 15X1.9 .....	1	1	1	1		
38	91541-S0A-003	CLIP, HARNESS BAND(BLACK) (145MM)	1	2	1	2		
39	93500-06018-4J	SCREW, PAN, 6X18 .....	2	2	2	2		
40	94109-20000	WASHER, DRAIN PLUG, 20MM .....	2	2	2	2		
41	94301-14200	DOWEL PIN, 14X20 .....	2	2	2	2		



E-3

CYLINDER BLOCK

D 4



Ref. No.	L.O.N.	(Relative ref. Number) Description	F.R.T.
4	1101B0	BLOCK, CYLINDER ..... .INCLUDES: Engine removal and installation	11.4
5	110175	CARTRIDGE, OIL FILTER ..... (30)	0.2
7	1101R6	PIPE, CAM CHAIN OIL ..... (33)	2.0
8	1101B9	OIL FILLER EXTENSION AND/OR PACKING .....	0.4
9	1141M1	THERMOSTAT (CYLINDER BLOCK SIDE) .....	0.3
10	1141M3	THERMOSTAT COVER AND/OR PACKING(CYLINDER BLOCK SIDE) .....	0.2
12	3121G3	SENSOR, KNOCK .....	0.7
14	6151J6	SWITCH, OIL PRESSURE (LOW PRESSURE SIDE) .....	0.2
15	6151J5	SWITCH, OIL PRESSURE (HI PRESSURE SIDE) .....	0.4
16	6171D4	SENSOR, WATER TEMPERATURE :LEFT .....	0.2

ZY9EE0300A

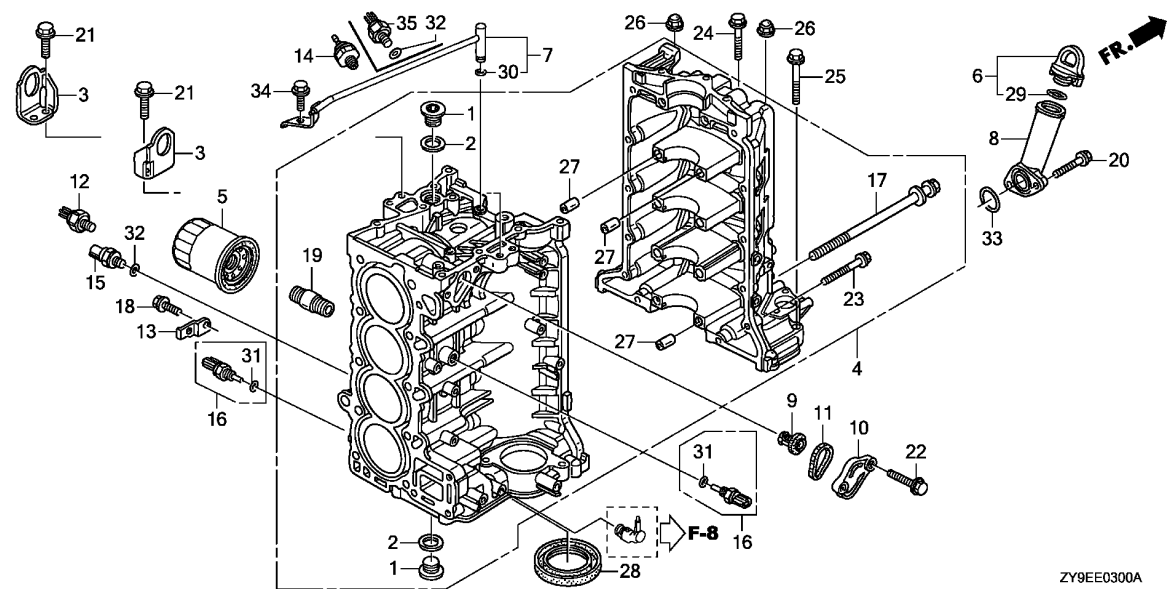
Ref. No.	Part No.	Description	Reqd. QTY				Serial No.	Parts catalogue code
			BF 75D K2	BF 90D K2	BF 75D K3	BF 90D K4		
1	11106-PWA-300	BOLT, SEALING, 24MM .....	2	2	2	2		
2	11107-PWA-300	WASHER, SEALING, 24MM .....	2	2	2	2		
3	11911-ZY9-000	HANGER, ENGINE .....	2	2	2	2		
4	12000-ZY9-415ZA	BLOCK ASSY., CYLINDER *NH8*.....DARK GRAY	1	1	-	-		
	12000-ZY9-406ZA	*NH8*.....DARK GRAY	-	-	1	1		
5	15400-RTA-004	CARTRIDGE, OIL FILTER (TOYO ROKI)	1	1	1	1		
6	15600-ZY9-000	CAP ASSY., OIL FILLER .....	1	1	1	1		
7	15612-ZY9-000	PIPE, OIL .....	1	1	1	1		
8	15631-ZY9-000	EXTENSION, OIL FILLER .....	1	1	1	1		
9	19300-ZW9-003	THERMOSTAT ASSY. ....	1	1	1	1		
10	19315-ZY9-000	COVER, THERMOSTAT .....	1	1	-	-		
	19315-ZY9-H00	.....	-	-	1	1		
11	19317-ZW9-000	O-RING, THERMOSTAT COVER ....	1	1	1	1		
12	30530-RGA-004	SENSOR COMP., KNOCK .....	-	1	-	1		
13	32114-ZW9-730	BRACKET, CLIP B .....	1	1	-	-		
14	35490-ZW9-003	SWITCH ASSY., OIL PRESSURE ..	1	1	-	-		
15	35490-ZY9-004	SWITCH ASSY., OIL PRESSURE ..	1	1	-	-		
16	35673-ZY3-003	SENSOR ASSY., WATER TEMPERATURE	2	2	2	2		
17	90008-ZY9-003	BOLT-WASHER, 10X105 .....	10	10	10	10		
18	90011-ZW9-000	BOLT, FLANGE, 6X14(CT200) ...	1	1	-	-		
19	90015-PH1-013	HOLDER, OIL FILTER .....	1	1	1	1		
20	90016-ZW9-000	BOLT, FLANGE, 6X25 .....	2	2	2	2		

2

E-3

CYLINDER BLOCK

D 5



Ref. No.	L.O.N.	(Relative ref. Number) Description	F.R.T.
+16	6171D5	SENSOR, WATER TEMPERATURE :RIGHT .....	0.5
28	1101E7	OIL SEAL, CRANKSHAFT :LOWER .. .INCLUDES: Engine removal and installation	8.0

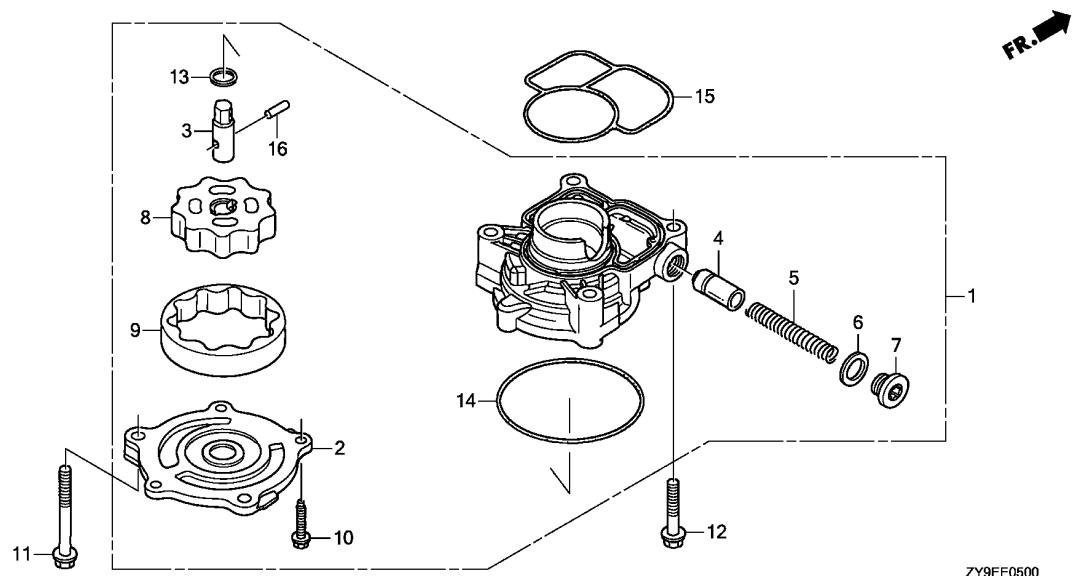
Ref. No.	Part No.	Description	Reqd. QTY				Serial No.	Parts catalogue code
			BF 75D K2	BF 90D K2	BF 75D K3	BF 90D K4		
21	90026-ZY3-000	BOLT, FLANGE, 8X20 .....	4	4	4	4		
22	90030-ZY3-000	BOLT, FLANGE, 6X22 .....	2	2	2	2		
23	90031-ZY3-000	BOLT, FLANGE, 6X32 .....	12	12	12	12		
24	90054-ZY3-000	BOLT, FLANGE, 8X35 .....	1	1	1	1		
25	90120-HW1-671	BOLT, FLANGE, 8X45 .....	2	2	2	2		
26	90201-ZY9-000	NUT, FLANGE CAP, 8MM .....	2	2	2	2		
27	90701-PD2-000	DOWEL PIN, 12X14 .....	10	10	10	10		
28	91214-PNA-014	OIL SEAL, 80X98X10(ARAI) .....	1	1	1	1		
29	91302-MAL-601	O-RING, 18.1X3.6 .....	1	1	1	1		
30	91305-ZY6-003	O-RING, 6.5X1.5 .....	1	1	1	1		
31	91307-PNA-003	O-RING, 9.5X1.9 .....	2	2	2	2		
32	91319-PR3-003	O-RING, 13X1.5(ARAI) .....	1	1	1	1		
33	91324-PF4-004	O-RING, 28.3X2.4(NOK) .....	1	1	1	1		
34	96300-06014-09	BOLT, FLANGE, 6X14 .....	1	1	1	1		
35	37260-RNA-A01	SENSOR, OIL PRESSURE .....	-	-	1	1		



E-5

OIL PUMP

D 6

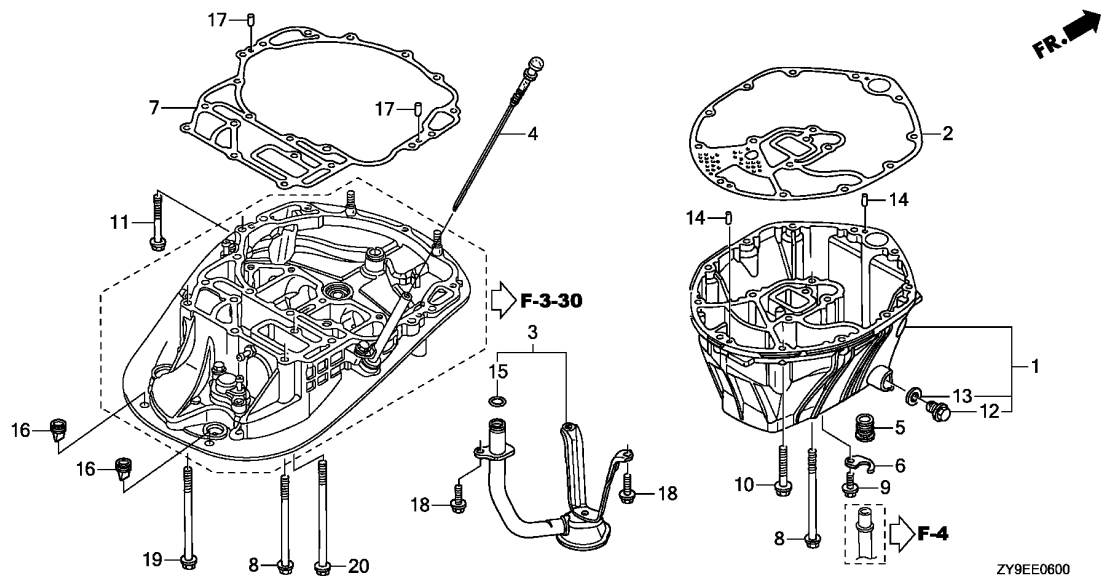


Ref. No.	L.O.N.	(Relative ref. Number) Description	F.R.T.
1		(15)	
1	1131B1	OIL PUMP AND/OR PACKING .....	3.5
2		(14)	
2	1131A2	COVER, OIL PUMP .....	3.5
4		(5,6,7)	
4	1131D2	VALVE, OIL PUMP RELIEF .....	3.6
8		(3,13,16)	
8	1131B2	ROTOR, OIL PUMP INNER .....	3.6
9	1131B3	ROTOR, OIL PUMP OUTER .....	3.6

ZY9EE0500

Ref. No.	Part No.	Description	Reqd. QTY				Serial No.	Parts catalogue code
			BF 75D K2	BF 90D K2	BF 75D K3	BF 90D K4		
1	15100-ZY9-000	PUMP ASSY., OIL .....	1	1	1	1		
2	15121-ZY9-000	COVER, OIL PUMP .....	1	1	1	1		
3	15136-ZY9-000	SHAFT, OIL PUMP .....	1	1	1	1		
4	15231-PE0-000	VALVE, RELIEF .....	1	1	1	1		
5	15232-PG6-000	SPRING, RELIEF VALVE .....	1	1	1	1		
6	15234-PC6-000	WASHER, SEALING, 18MM .....	1	1	1	1		
7	15236-ZW1-010	BOLT, SEALING, 18MM .....	1	1	1	1		
8	15331-ZW1-000	ROTOR, INNER .....	1	1	1	1		
9	15341-ZW1-000	ROTOR, OUTER .....	1	1	1	1		
10	90017-ZV0-C10	BOLT, FLANGE, 6X18(CT200) ...	3	3	3	3		
11	90127-ZV1-010	BOLT, FLANGE, 8X60 .....	2	2	2	2		
12	90155-ZW4-000	BOLT, FLANGE, 8X40 .....	2	2	2	2		
13	90456-MC7-000	WASHER, THRUST, 13MM .....	1	1	1	1		
14	91302-ZW1-000	O-RING, PUMP COVER .....	1	1	1	1		
15	91304-ZY9-000	O-RING, OIL PUMP .....	1	1	1	1		
16	96220-50178	ROLLER, 5X17.8 .....	1	1	1	1		

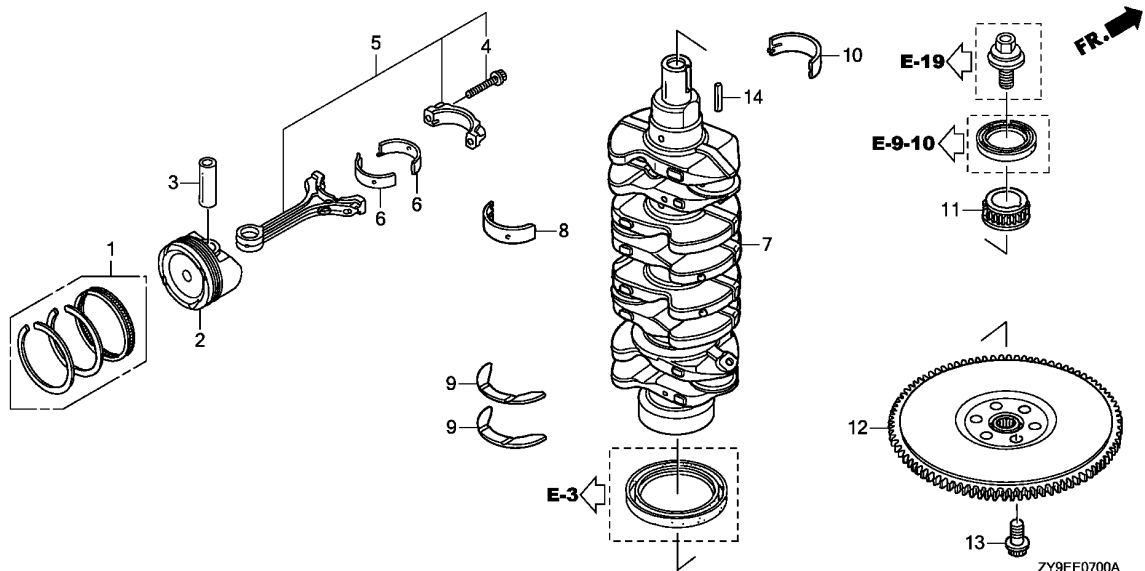
2



Ref. No.	L.O.N.	(Relative ref. Number) Description	F.R.T.
1	1101K5	CASE, OIL .....	2.1
2	1131C2	PACKING, OIL PAN .....	2.1
3	1131B5	STRAINER, OIL .....	2.2
7	4101K1	GASKET, MOUNT CASE .....	4.3
.INCLUDES: Engine removal and installation			

Ref. No.	Part No.	Description	Reqd. QTY				Serial No.	Parts catalogue code
			BF 75D K2	BF 90D K2	BF 75D K3	BF 90D K4		
1	11320-ZY9-010ZA	CASE ASSY., OIL *TGRAY*.....GRAY	1	1	1	1		
2	11381-ZY9-003	PACKING, OIL PAN .....	1	1	1	1		
3	15220-ZY9-000	STRAINER COMP., OIL .....	1	1	1	1		
4	15655-ZY9-000	GAUGE COMP., OIL LEVEL .....	1	1	1	1		
5	19252-ZW1-000	GROMMET, WATER TUBE .....	1	1	1	1		
6	19254-ZY9-000	PLATE, WATER TUBE .....	1	1	1	1		
7	23172-ZY9-003	GASKET, MOUNT CASE .....	1	1	1	1		
8	90046-ZY3-000	BOLT, FLANGE, 8X100 .....	8	8	8	8		
9	90102-ZW9-000	BOLT, FLANGE, 6X12 .....	1	1	1	1		
10	90114-HW1-671	BOLT, FLANGE, 8X35 .....	11	11	11	11		
11	90120-HW1-671	BOLT, FLANGE, 8X45 .....	4	4	4	4		
12	90131-ZV5-000	BOLT, DRAIN PLUG .....	1	1	1	1		
13	90601-ZE2-000	WASHER, DRAIN PLUG, 12MM .....	1	1	1	1		
14	90756-ZV5-000	DOWEL PIN, 6X10 .....	2	2	2	2		
15	91310-PC6-004	O-RING, 15.5X2.7 .....	1	1	1	1		
16	91601-ZY9-000	GROMMET, 1WAY .....	2	2	2	2		
17	94301-06100	DOWEL PIN, 6X10 .....	2	2	2	2		
18	96300-06016-09	BOLT, FLANGE, 6X16 .....	3	3	3	3		
19	96300-08100-09	BOLT, FLANGE, 8X100 .....	4	4	4	4		
20	96300-08120-09	BOLT, FLANGE, 8X120 .....	3	3	3	3		

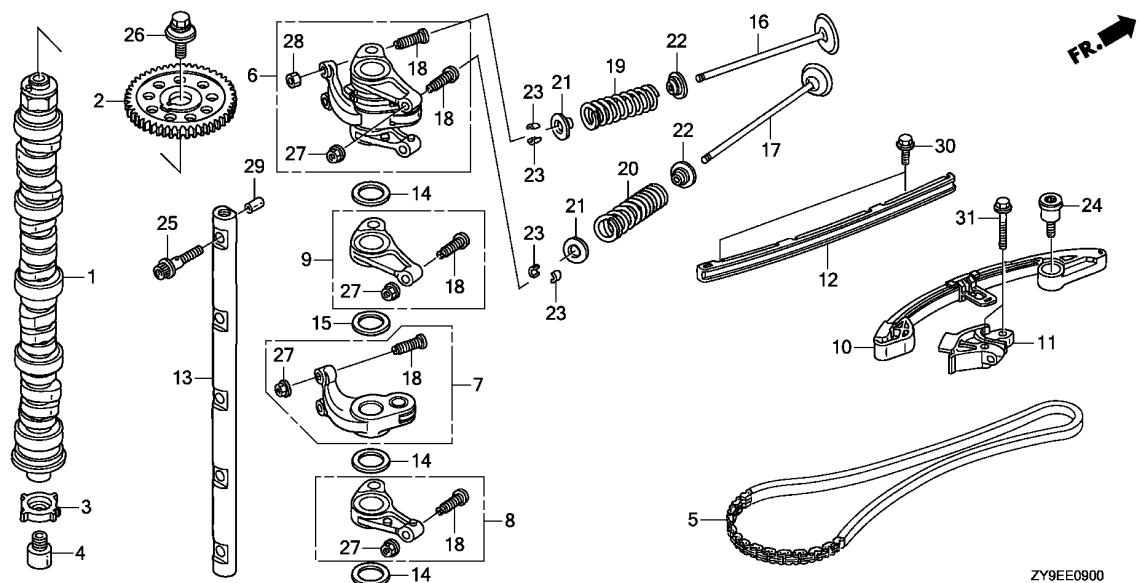




Ref. No.	L.O.N.	(Relative ref. Number) Description	F.R.T.
2		(1,3,5,6)	
1111R1		PISTON AND/OR RING SET AND/OR BEARING AND/OR ROD .....	8.4
		.INCLUDES: Engine removal and installation	
1111R1B		.For 1 cylinder add .....	0.6
1111R1C		.For 2 cylinders add .....	1.2
1111R1D		.For 3 cylinders add .....	1.8
7		(8,10)	
1101F0		CRANKSHAFT .....	10.2
		.INCLUDES: Engine removal and installation	
11	1101D1	PULLEY, TIMING BELT DRIVE ....	2.3
12	2161B5	FLYWHEEL .....	5.2
		.INCLUDES: Engine removal and installation	

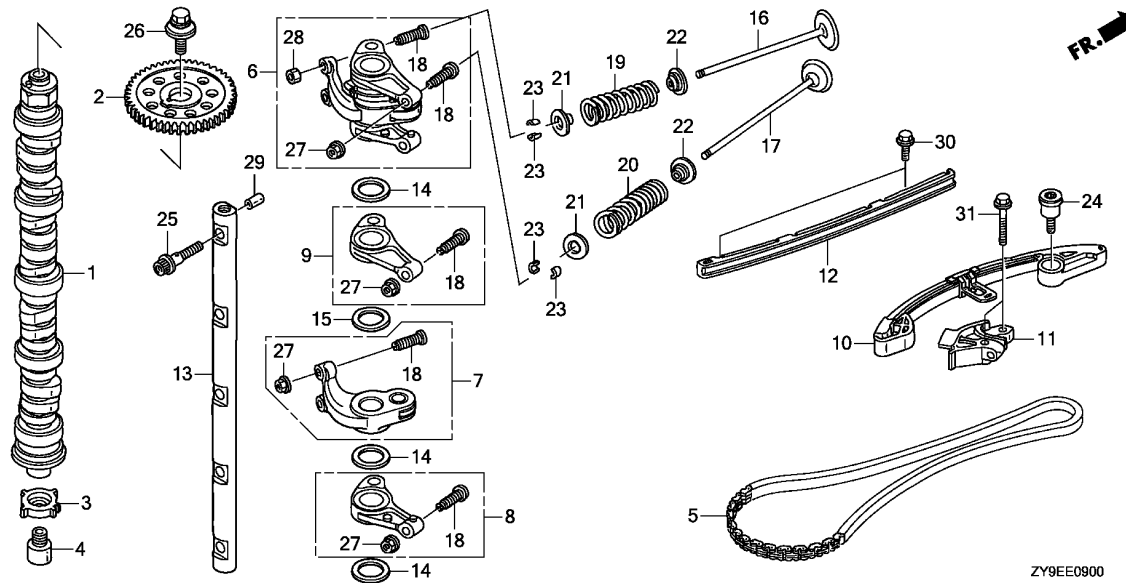
Ref. No.	Part No.	Description	Reqd. QTY				Serial No.	Parts catalogue code
			BF 75D K2	BF 90D K2	BF 75D K3	BF 90D K4		
1	13011-ZY9-010	RING SET, PISTON(0.25) .....	(4)	(4)	(4)	(4)		
	13010-ZY9-010	RING SET, PISTON(STD.) .....	4	4	-	-		
	13010-ZY9-H00	.....	-	-	4	4		
2	13102-ZZ0-000	PISTON(0.25) .....	(4)	(4)	(4)	(4)		
	13101-ZZ0-000	PISTON(STD.) .....	4	4	-	-		
	13101-ZY9-H00	.....	-	-	4	4		
3	13111-PWA-000	PIN, PISTON .....	4	4	4	4		
4	13204-PWA-003	BOLT, CONNECTING ROD .....	8	8	8	8		
5	13210-ZY9-010	ROD COMP., CONNECTING .....	4	4	4	4		
6	13211-PWA-003	BEARING A, CONNECTING ROD (BLUE)(DAIDO)	8	8	8	8		
	13212-PWA-003	BEARING B, CONNECTING ROD (BLACK)(DAIDO)	8	8	8	8		
	13213-PWA-003	BEARING C, CONNECTING ROD (BROWN)(DAIDO)	8	8	8	8		
	13214-PWA-003	BEARING D, CONNECTING ROD (GREEN)(DAIDO)	8	8	8	8		
	13215-PWA-003	BEARING E, CONNECTING ROD (YELLOW)(DAIDO)	8	8	8	8		
	13216-PWA-003	BEARING F, CONNECTING ROD (PINK)(DAIDO)	8	8	8	8		
	13217-PWA-003	BEARING G, CONNECTING ROD (RED)(DAIDO)	8	8	8	8		
7	13310-ZY9-010	CRANKSHAFT COMP. ....	1	1	1	1		
8	13322-PWA-003	BEARING B, MAIN UPPER (BLACK)(DAIDO)	5	5	5	5		
	13323-PWA-003	BEARING C, MAIN UPPER (BROWN)(DAIDO)	5	5	5	5		

Ref. No.	Part No.	Description	Reqd. QTY				Serial No.	Parts catalogue code
			BF 75D K2	BF 90D K2	BF 75D K3	BF 90D K4		
(8)	13324-PWA-003	BEARING D, MAIN UPPER(GREEN) (DAIDO)	5	5	5	5		
	13325-PWA-003	BEARING E, MAIN UPPER(YELLOW) (DAIDO)	5	5	5	5		
	13326-PWA-003	BEARING F, MAIN UPPER(PINK) (DAIDO)	5	5	5	5		
	13327-PWA-003	BEARING G, MAIN UPPER(RED) (DAIDO)	5	5	5	5		
	13328-PWA-003	BEARING H, MAIN UPPER(WHITE) (DAIDO)	5	5	5	5		
9	13331-ZY9-003	WASHER, THRUST .....	2	2	2	2		
10	13342-PWA-003	BEARING B, MAIN LOWER(BLACK) (DAIDO)	5	5	5	5		
	13343-PWA-003	BEARING C, MAIN LOWER(BROWN) (DAIDO)	5	5	5	5		
	13344-PWA-003	BEARING D, MAIN LOWER(GREEN) (DAIDO)	5	5	5	5		
	13345-PWA-003	BEARING E, MAIN LOWER(YELLOW) (DAIDO)	5	5	5	5		
	13346-PWA-003	BEARING F, MAIN LOWER(PINK) (DAIDO)	5	5	5	5		
	13347-PWA-003	BEARING G, MAIN LOWER(RED) (DAIDO)	5	5	5	5		
	13348-PWA-003	BEARING H, MAIN LOWER(WHITE) (DAIDO)	5	5	5	5		
11	13621-ZY9-000	SPROCKET, CAM CHAIN(23T) ....	1	1	-	-		
	13621-ZY9-H01	.....	-	-	1	1		
12	31110-ZY9-000ZA	FLYWHEEL COMP. *BLACK*.....BLACK	1	1	-	-		
	31110-ZY9-000ZB	*TBLACK*.....BLACK	-	-	1	1		
13	90002-ZW1-010	BOLT, 12MM .....	6	6	6	6		
14	90704-PH7-000	KEY, SPECIAL .....	1	1	1	1		



Ref. No.	L.O.N.	(Relative ref. Number) Description	F.R.T.
1	1111C2	CAMSHAFT ..... .INCLUDES: Valve clearance adjustment	4.5
2	1111Z7	SPROCKET, CAM CHAIN DRIVEN ...	2.3
5	110140	CHAIN, CAM .....	2.2
6	1111A7	ARM, ROCKER .....	4.3
		.INCLUDES: Valve clearance adjustment .NOTE: Same time for two units or more (14,15)	
7	1111A2	ARM, ROCKER :INTAKE .....	4.3
		.INCLUDES: Valve clearance adjustment .NOTE: Same time for two units or more (14)	
8	1111A3	ARM, ROCKER(A) :EXHAUST .....	4.3
		.INCLUDES: Valve clearance adjustment .NOTE: Same time for two units or more (14,15)	
9	1111A4	ARM, ROCKER(B) :EXHAUST .....	4.3
+			

Ref. No.	Part No.	Description	Reqd. QTY				Serial No.	Parts catalogue code
			BF 75D K2	BF 90D K2	BF 75D K3	BF 90D K4		
1	14110-ZY9-000	CAMSHAFT COMP. ....	1	-	1	-		
	14110-ZZ0-000	.....	-	1	-	1		
2	14211-PWA-000	SPROCKET, CAM CHAIN DRIVEN (46T)	1	1	-	-		
	14211-RB0-003	.....	-	-	1	1		
3	14221-PWA-003	PLATE, TDC PULSER .....	1	1	1	1		
4	14222-ZY9-000	BOLT, TDC PULSER PLATE .....	1	1	1	1		
5	14401-PWC-004	CHAIN(132L) .....	1	1	-	-		
	14401-RB1-003	.....	-	-	1	1		
6	14420-ZZ0-000	ARM ASSY., ROCKER .....	-	4	-	4		
7	14430-ZY9-000	ARM COMP., IN. VALVE ROCKER ..	4	-	4	-		
8	14441-ZY9-000	ARM COMP., EX. ROCKER(A) ....	4	-	4	-		
9	14442-ZY9-000	ARM COMP., EX. ROCKER(B) ....	4	-	4	-		
10	14510-ZY9-003	TENSIONER COMP., CAM CHAIN ..	1	1	1	1		
11	14512-ZY9-000	SLIDER COMP., CAM CHAIN TENSIONER	1	1	1	1		
12	14530-PWC-014	GUIDE COMP., CAM CHAIN .....	1	1	-	-		
	14530-RB1-004	.....	-	-	1	1		
13	14631-PWC-010	SHAFT COMP., ROCKER ARM .....	1	1	1	1		
14	14647-PWA-000	WASHER, THRUST .....	12	-	12	-		
15	14647-PY3-000	WASHER, IN. WAVE .....	4	-	4	-		
16	14711-PWC-000	VALVE, IN. ....	8	8	-	-		
	14711-RB0-000	.....	-	-	8	8		
17	14721-PWC-010	VALVE, EX. ....	8	8	8	8		
18	14744-PM3-000	SCREW, TAPPET ADJUSTING .....	16	16	16	16		
19	14751-ZY9-003	SPRING, IN. VALVE .....	8	8	-	-		



Ref. No.	L.O.N.	(Relative ref. Number) Description	F.R.T.
+ 9		.INCLUDES: Valve clearance adjustment .NOTE: Same time for two units or more	
10	1111B6	TENSIONER, CAM CHAIN .....	2.1
11	1111Z9	SLIDER, CAM CHAIN TENSIONER ..	2.1
12	1111B8	GUIDE, CAM CHAIN .....	2.1
13	1111P1	SHAFT, ROCKER ARM .....	4.3
16	1111L1	VALVE, INTAKE .....	4.2
		.INCLUDES: Valve clearance adjustment and reface	
	1111L1D	.Replace intake all add .....	1.4
	1111L1E	.Replace intake and exhaust all add .....	3.0
17	1111L0	VALVE, EXHAUST .....	4.2
		.INCLUDES: Valve clearance adjustment and reface	
	1111L0D	.Replace exhaust all add .....	1.4
	1111L0E	.Replace intake and exhaust all add .....	3.0
19	1111P3	SPRING, VALVE :INTAKE .....	4.0
		.INCLUDES: Valve clearance adjustment	
+	1111P3C	.Replace intake all add .....	0.7

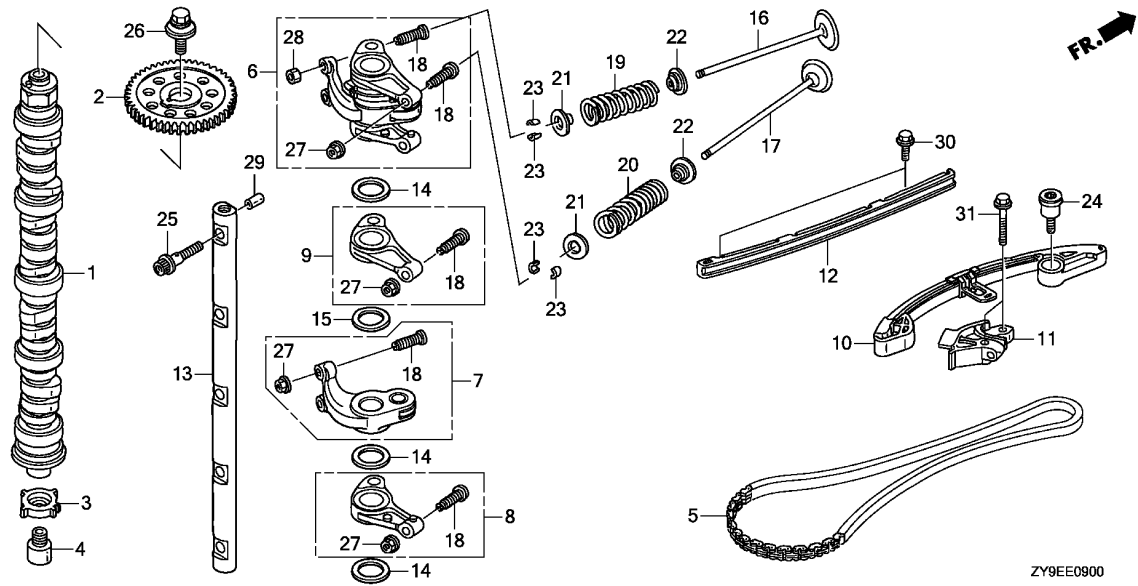
Ref. No.	Part No.	Description	Reqd. QTY				Serial No.	Parts catalogue code
			BF 75D K2	BF 90D K2	BF 75D K3	BF 90D K4		
19)	14751-ZY9-H01	SPRING, IN. VALVE .....	-	-	8	8		
	14752-ZY9-003	SPRING, EX. VALVE .....	8	8	8	8		
	21	14765-RGA-000	RETAINER, VALVE SPRING .....	16	16	16	16	
	22	14775-P08-000	SEAT, VALVE SPRING .....	16	16	16	16	
	23	14781-RGM-A01	COTTER, VALVE(FUJI VALVE) ...	32	32	32	32	
	24	90003-PNA-000	BOLT, TENSIONER PIVOT .....	1	1	1	1	
	25	90006-PWC-003	BOLT, ROCKER ARM SHAFT .....	5	5	5	5	
	26	90031-PV0-003	BOLT-WASHER, 10X30 .....	1	1	-	-	
		90031-RNA-A01	.....	-	-	1	1	
	27	90206-PM3-004	NUT, TAPPET ADJUSTING (TOKAI TRW)	16	8	16	8	
	28	90206-PT0-004	NUT, TAPPET ADJUSTING .....	-	8	-	8	
	29	94301-07120	PIN A, DOWEL, 7X12 .....	1	1	1	1	
	30	96300-06014-09	BOLT, FLANGE, 6X14 .....	2	2	2	2	
	31	96300-06028-09	BOLT, FLANGE, 6X28 .....	2	2	2	2	



E-9

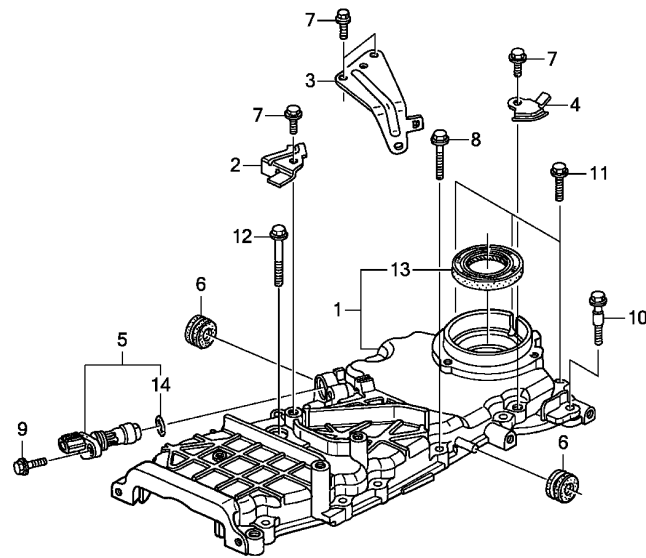
CAMSHAFT/VALVE

D12



Ref. No.	L.O.N.	(Relative ref. Number) Description	F.R.T.
+19	1111P3A	.Replace intake and exhaust all add .....	1.5
20	1111P4	SPRING, VALVE :EXHAUST .....	4.0
		.INCLUDES: Valve clearance adjustment	
	1111P4C	.Replace exhaust all add .....	0.7
	1111P4A	.Replace intake and exhaust all add .....	1.5

2

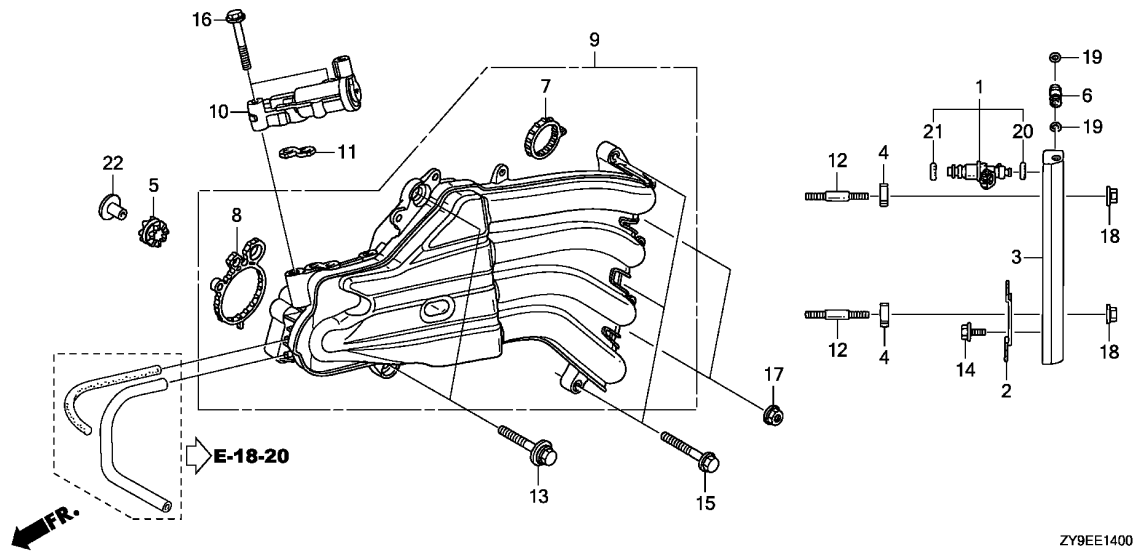


ZY9EE0910

Ref. No.	L.O.N.	(Relative ref. Number) Description	F.R.T.
1	1101H4	CASE, CAM CHAIN .....	2.1
5		(14)	
	6171A5	SENSOR, CRANK .....	0.2
13	1101E6	OIL SEAL, CRANKSHAFT :UPPER ..	2.2

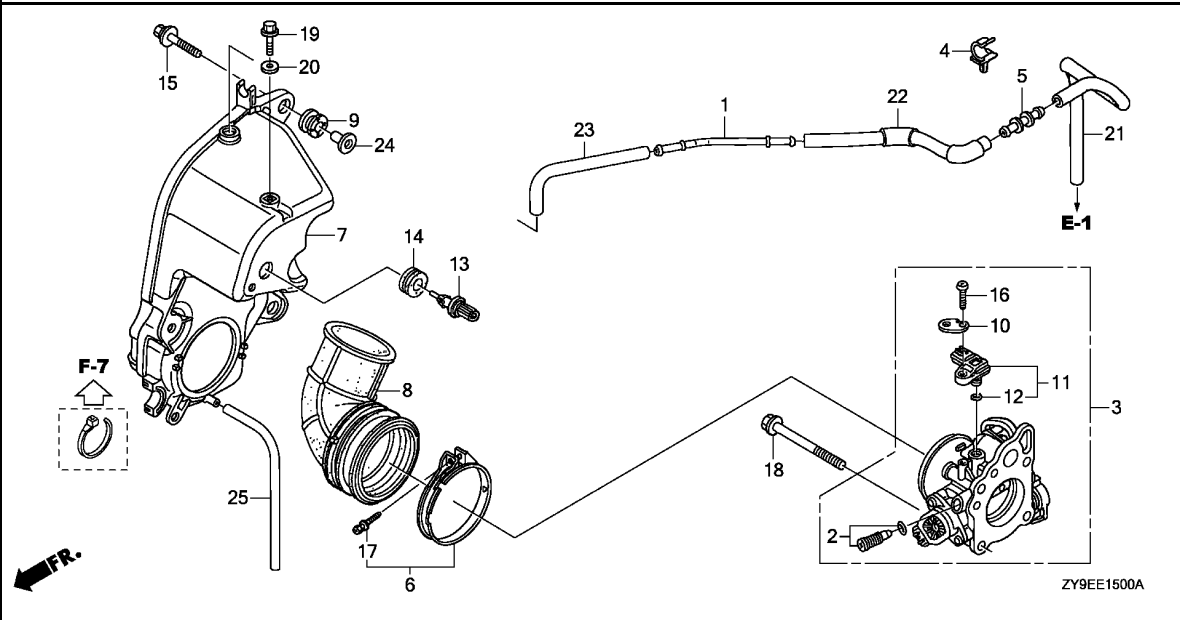
Ref. No.	Part No.	Description	Reqd. QTY				Serial No.	Parts catalogue code
			BF 75D K2	BF 90D K2	BF 75D K3	BF 90D K4		
1	11411-ZY9-405ZA	CASE COMP., CHAIN *NH8*.....DARK GRAY	1	1	1	1		
2	32111-ZY9-000	BRACKET A, HARNESS CLIP .....	1	1	1	1		
3	32113-ZY9-000	BRACKET C, HARNESS CLIP .....	1	1	1	1		
4	32115-ZY9-000	BRACKET E, HARNESS CLIP .....	1	1	1	1		
5	37500-PNB-003	SENSOR ASSY., CRANK .....	1	1	1	1		
6	40102-ZV5-000	GROMMET, UNDER CASE .....	2	2	2	2		
7	90011-ZW9-000	BOLT, FLANGE, 6X14(CT200) ...	4	4	4	4		
8	90016-ZY3-000	BOLT, FLANGE, 6X28 .....	10	10	10	10		
9	90017-ZY3-000	BOLT, FLANGE, 6X16 .....	1	1	1	1		
10	90023-ZY6-000	BOLT, SPECIAL, 6X31 .....	2	2	2	2		
11	90030-ZY3-000	BOLT, FLANGE, 6X22 .....	3	3	3	3		
12	90145-ZW4-000	BOLT, FLANGE, 6X40 .....	1	1	1	1		
13	91212-PWA-003	OIL SEAL, 40X55X7(NOK) .....	1	1	1	1		
14	91333-PNA-003	O-RING, 15X1.9 .....	1	1	1	1		





Ref. No.	L.O.N.	(Relative ref. Number) Description	F.R.T.
1		(20,21)	
	3111B9	INJECTOR, FUEL .....	0.4
	3111K2	INJECTOR, FUEL :ALL .....	0.6
3	3111Q2	PIPE/LINE, FUEL INJECTOR .....	0.5
7	3111C9	PACKING, INTAKE MANIFOLD .....	0.8
8	3121H9	PACKING, THROTTLE BODY .....	0.4
9	3111C4	MANIFOLD, INTAKE .....	0.8
10		(11)	
	3121G0	VALVE, ELECTRIC AIR CONTROL ..	0.6

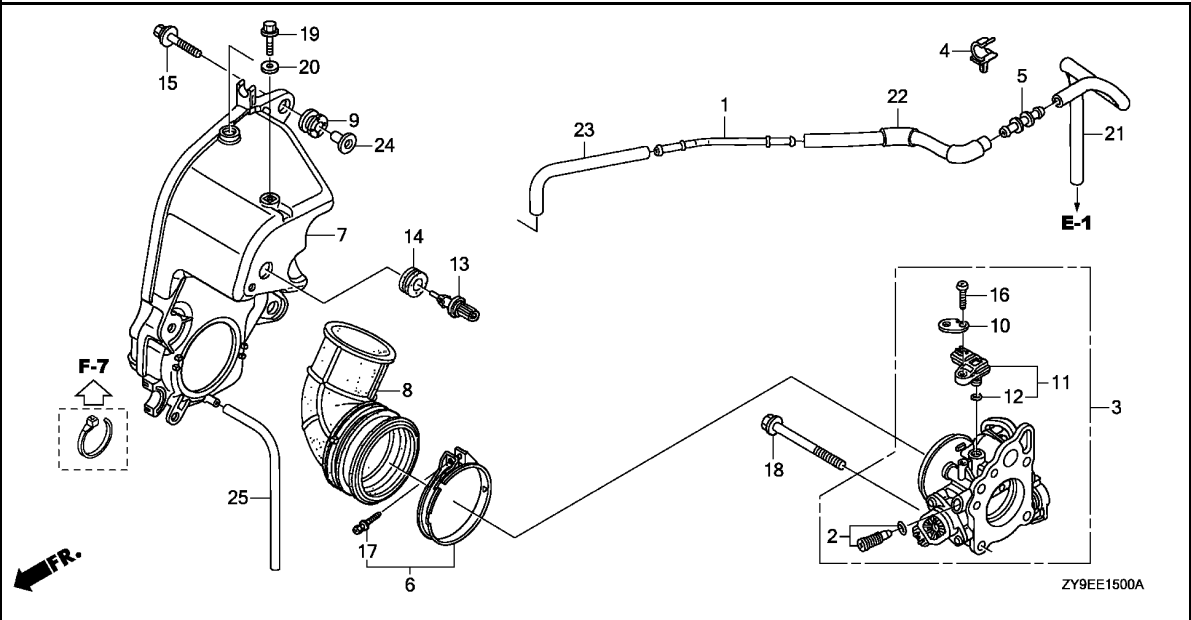
Ref. No.	Part No.	Description	Reqd. QTY				Serial No.	Parts catalogue code
			BF 75D K2	BF 90D K2	BF 75D K3	BF 90D K4		
1	16450-ZY9-003	INJECTOR ASSY., FUEL .....	4	4	4	4		
2	16451-ZY9-000	CLIP, INJECTOR .....	2	2	2	2		
3	16620-ZY9-010	LINE COMP., FUEL .....	1	1	1	1		
4	16638-PH3-S00	INSULATOR, FUEL PIPE .....	2	2	2	2		
5	16733-ZY9-000	GROMMET, VAPOR SEPARATOR ....	2	2	2	2		
6	16752-ZY3-A00	JOINT, FUEL PIPE .....	1	1	1	1		
7	17105-PWA-007	PACKING, INTAKE MANIFOLD ....	4	4	4	4		
8	17109-ZY6-000	PACKING, THROTTLE BODY .....	1	1	1	1		
9	17110-ZY9-003	MANIFOLD COMP., INLET .....	1	1	1	1		
10	36550-ZY9-003	VALVE ASSY., ELECTRONIC AIR CONTROL	1	1	1	1		
11	36551-ZY6-003	PACKING, ELECTRONIC AIR CONTROL VALVE	1	1	1	1		
12	90003-ZY9-000	BOLT, STUD, 6X40 .....	2	2	2	2		
13	90014-ZW1-000	BOLT-WASHER, 8X35 .....	2	2	2	2		
14	90042-ZY3-000	BOLT, FLANGE, 6X10 .....	4	4	4	4		
15	90054-ZY3-000	BOLT, FLANGE, 8X35 .....	3	3	3	3		
16	90126-ZW4-000	BOLT, FLANGE, 8X45 .....	2	2	2	2		
17	90205-ZY3-000	NUT, FLANGE, 8MM .....	2	2	2	2		
18	90301-ZW2-F00	NUT, FLANGE, 6MM .....	2	2	2	2		
19	91301-MJ0-003	O-RING, 7.8X1.9(ARAI) .....	2	2	2	2		
20	91301-PLC-000	O-RING, 7.47X3.6 .....	4	4	4	4		
21	91302-PNA-003	O-RING, 7.45X3.61(NOK) .....	4	4	4	4		
22	91554-ZW1-000	COLLAR, 8.5X14.5 .....	2	2	2	2		



Ref. No.	L.O.N.	(Relative ref. Number) Description	F.R.T.
3	3121F5	THROTTLE BODY .....	0.5
7	3121A7	CASE, SILENCER .....	0.3
8	3121C6	GROMMET, SILENCER .....	0.3
11	3121G2	SENSOR, MAP .....	0.2
13	3121J3	SENSOR, AIR TEMP .....	0.4

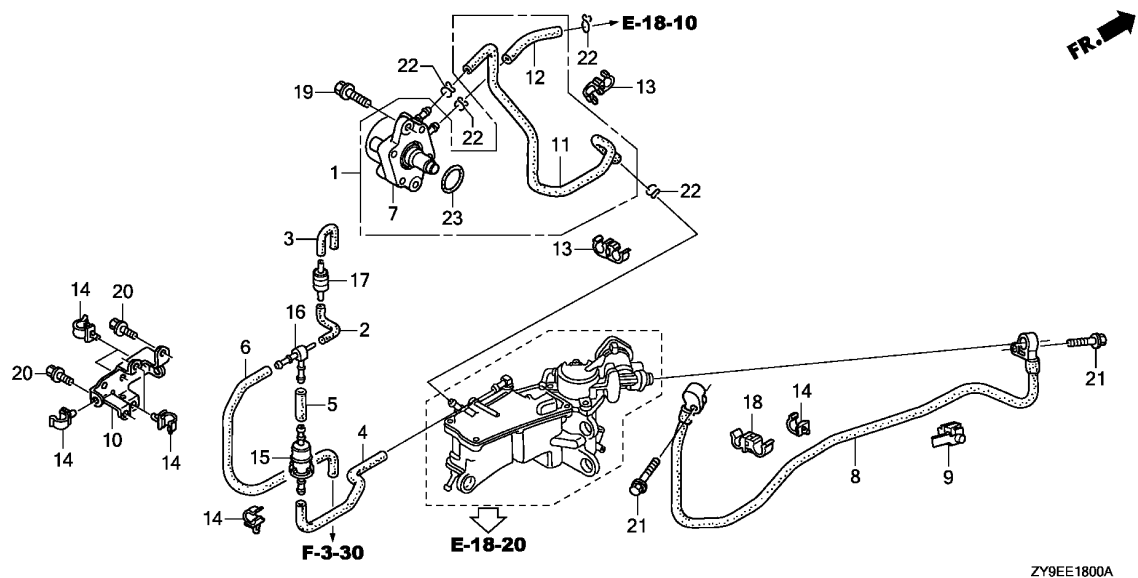
Ref. No.	Part No.	Description	Reqd. QTY				Serial No.	Parts catalogue code
			BF 75D K2	BF 90D K2	BF 75D K3	BF 90D K4		
1	15171-ZY9-000	PIPE, BREATHER .....	1	1	1	1		
2	16016-ZY6-003	SCREW SET .....	1	1	1	1		
3	16400-ZY9-003	THROTTLE BODY ASSY. ....	1	1	-	-		
	16400-ZY9-H01	.....	-	-	1	1		
4	16896-ZY9-003	CLAMP B, FUEL TUBE .....	1	1	1	1		
5	16966-MR5-000	JOINT, FUEL TUBE .....	1	1	1	1		
6	17315-ZY9-000	BAND, AIR FLOW .....	1	1	1	1		
7	17371-ZY9-000	CASE COMP., SILENCER .....	1	1	1	-		
	17371-ZY9-H00	.....	-	-	-	1		
8	17374-ZY9-000	GROMMET, SILENCER .....	1	1	1	1		
9	30419-ZY9-003	GROMMET, ELECTRONIC PARTS CASE	2	2	2	2		
10	32128-ZY3-000	BRACKET, SENSOR CORD .....	1	1	1	1		
11	37830-PNC-003	SENSOR ASSY., MAP .....	1	1	-	-		
	37830-RNA-A01	.....	-	-	1	1		
12	37835-PGK-A01	O-RING .....	1	1	1	1		
13	37880-PLC-004	SENSOR ASSY., AIR TEMP						
		(MATSUSHITA DENSHI)	1	1	1	-		
	37880-RE1-Z01	SENSOR ASSY., AIR TEMP .....	-	-	-	1		
14	37881-P2A-000	GROMMET, TA SENSOR .....	1	1	1	1		
15	90003-ZW2-000	BOLT-WASHER, 6X27(CT200) ....	2	2	2	2		
16	90006-ZY6-000	SCREW, PAN, 5X18 .....	1	1	1	1		
17	90017-ZY9-000	BOLT-WASHER, 5X30 .....	1	1	1	1		
18	90127-ZV1-010	BOLT, FLANGE, 8X60 .....	4	4	4	4		
19	90169-ZW4-000	BOLT, FLANGE,(SH)6X25 .....	1	1	1	1		
20	90508-ZY3-000	WASHER, PLAIN, 6MM .....	1	1	1	1		





Ref. No.	Part No.	Description	Reqd. QTY				Serial No.	Parts catalogue code
			BF 75D K2	BF 90D K2	BF 75D K3	BF 90D K4		
21	91403-ZY9-000	TUBE A, BREATHER .....	1	1	1	1		
22	91404-ZY9-000	TUBE B, BREATHER .....	1	1	1	1		
23	91405-ZY9-000	TUBE C, BREATHER .....	1	1	1	1		
24	91553-ZV5-010	COLLAR, C.D.I. UNIT CASE ....	2	2	2	2		
25	95003-07019-31	TUBE, VINYL, 4X7X190 (95003-07001-60M)	1	1	1	1		





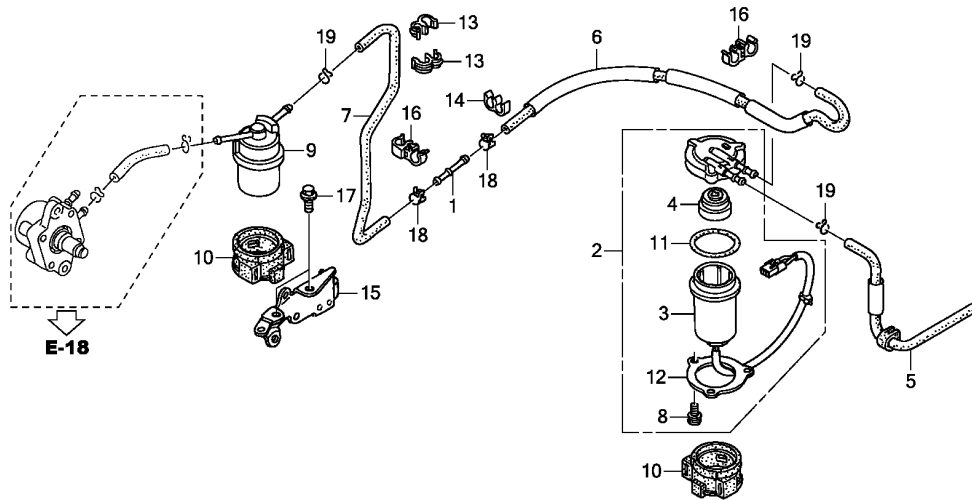
Ref. No.	L.O.N.	(Relative ref. Number) Description	F.R.T.
1	3101W9	PUMP KIT, FUEL .....	0.2
7		(23)	
	3101H9	PUMP, FUEL .....	0.2
8	3101B1	HOSE, FUEL .....	0.8
11	3101L2	TUBE D, FUEL .....	0.2
12	3101F6	TUBE, FUEL .....	0.2
15	3101K6	STRAINER, FUEL(A) .....	0.8

Ref. No.	Part No.	Description	Reqd. QTY				Serial No.	Parts catalogue code
			BF 75D K2	BF 90D K2	BF 75D K3	BF 90D K4		
1	06167-ZY9-000	PUMP ASSY KIT, FUEL .....	(1)	(1)	(1)	(1)		
2	16195-ZY9-000	TUBE A, CHECK VALVE .....	1	1	1	1		
3	16196-ZY9-000	TUBE B, CHECK VALVE .....	1	1	1	1		
4	16197-ZY9-000	TUBE A, AIR VENT .....	1	1	1	1		
5	16198-ZY9-000	TUBE B, AIR VENT .....	1	1	1	1		
6	16199-ZY9-000	TUBE C, AIR VENT .....	1	1	1	1		
7	16700-ZY9-013	PUMP ASSY., FUEL .....	1	1	1	1		
8	16755-ZY9-003	HOSE COMP., FUEL .....	1	1	1	1		
9	16756-ZY9-000	GROMMET, FUEL HOSE .....	1	1	1	1		
10	16816-ZY9-000	BRACKET, FUEL TUBE CLAMP .....	1	1	1	1		
11	16881-ZY9-010	TUBE D, FUEL .....	1	1	1	1		
12	16891-ZY9-000	TUBE E, FUEL .....	1	1	1	1		
13	16895-ZY9-003	CLAMP A, FUEL TUBE .....	2	2	2	2		
14	16896-ZY9-003	CLAMP B, FUEL TUBE .....	7	7	7	7		
15	16910-ZV4-015	STRAINER COMP., FUEL .....	1	1	1	1		
16	19269-ZY6-000	T-JOINT .....	1	1	1	1		
17	36135-ZY6-003	VALVE, CHECK .....	1	1	1	1		
18	36533-P3F-A01	CLAMP, OXYGEN SENSOR .....	1	1	1	1		
19	90003-ZW9-000	BOLT, FLANGE, 6X22 .....	2	2	2	2		
20	90011-ZW9-000	BOLT, FLANGE, 6X14(CT200) .....	2	2	2	2		
21	90016-ZW9-000	BOLT, FLANGE, 6X25 .....	2	2	2	2		
22	90604-ZV0-000	CLIP, TUBE(B12) .....	4	4	4	4		
23	91303-ZW9-000	O-RING, 31.2X2.4 .....	1	1	1	1		



E-18-10

WATER SEPARATOR



ZY9EE1810

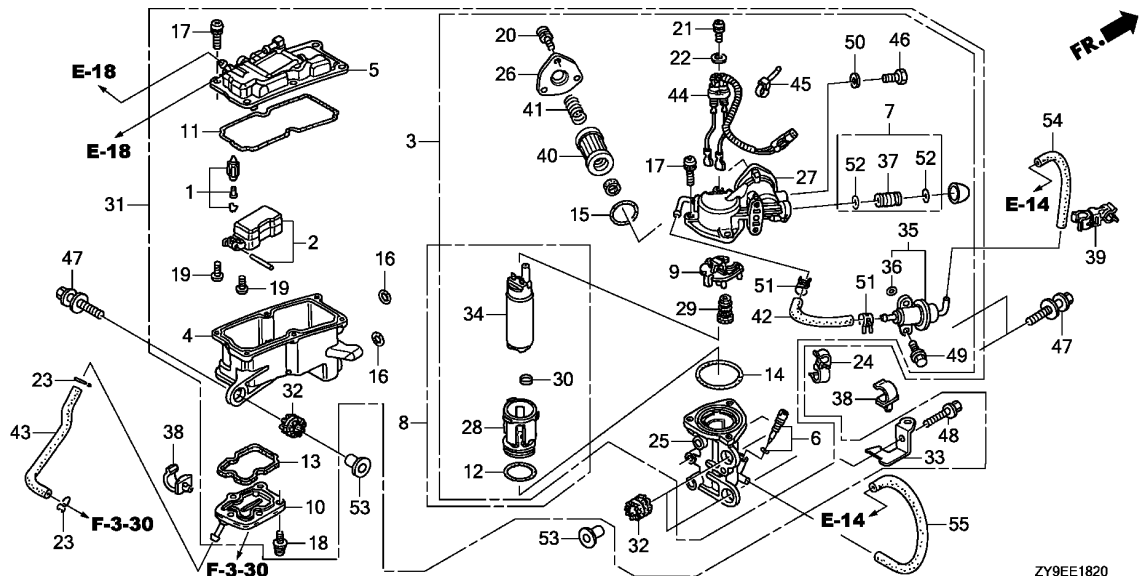
Ref. No.	L.O.N.	(Relative ref. Number) Description	F.R.T.
2	3101H5	SEPARATOR, WATER .....	0.9
4	1141B4	BUFFER, PLATE .....	1.0
5	3101L0	TUBE A, FUEL .....	0.4
6	3101F7	TUBE B, FUEL .....	0.8
7	3101L1	TUBE C, FUEL .....	0.8
9	3101H8	STRAINER, FUEL .....	0.2

Ref. No.	Part No.	Description	Reqd. QTY				Serial No.	Parts catalogue code
			BF 75D K2	BF 90D K2	BF 75D K3	BF 90D K4		
1	16723-RMA-E00	JOINT, FUEL FEED HOSE .....	1	1	1	1		
2	16800-ZY9-003	SEPARATOR ASSY., WATER .....	1	1	1	1		
3	16805-ZY9-003	CUP, WATER SEPARATOR .....	1	1	1	1		
4	16807-ZY3-003	BUFFER, PLATE .....	1	1	1	1		
5	16850-ZY9-000	TUBE COMP. A, FUEL .....	1	1	1	1		
6	16860-ZY9-000	TUBE COMP. B, FUEL .....	1	1	1	1		
7	16871-ZY9-000	TUBE C, FUEL .....	1	1	1	1		
8	16904-ZY3-003	SCREW, PAN, 5X12 .....	3	3	3	3		
9	16910-ZY9-004	STRAINER COMP., FUEL .....	1	1	1	1		
10	16915-ZY3-010	SUSPENSION, STRAINER .....	2	2	2	2		
11	16918-ZY3-003	O-RING .....	1	1	1	1		
12	16919-ZY3-003	PLATE .....	1	1	1	1		
13	17439-PY3-A01	CLAMP, TUBE(7.5-11.5)(BLACK) .....	2	2	2	2		
14	19526-PN4-000	CLAMP, TUBE .....	1	1	1	1		
15	32112-ZY9-000	BRACKET B, HARNESS CLIP .....	1	1	1	1		
16	53740-SE0-953	CLIP, SENSOR HOSE .....	2	2	2	2		
17	90011-ZW9-000	BOLT, FLANGE, 6X14(CT200) .....	2	2	2	2		
18	90602-ZW5-030	CLAMP, TUBE(D12) .....	2	2	2	2		
19	90604-ZV0-000	CLIP, TUBE(B12) .....	3	3	3	3		

E-18-20

VAPOR SEPARATOR

E 3



Ref. No.	L.O.N.	(Relative ref. Number) Description	F.R.T.
1		(2)	
3121N1		VAPOR SEPARATOR FLOAT VALVE SET AND/OR FLOAT SET .....	1.2
3	3101C9	PUMP ASSEMBLY, VAPOR SEPARATOR FUEL .....	1.1
4	3101A0	BODY, VAPOR SEPARATOR .....	1.3
10	1141J9	(13) COVER, VAPOR SEPARATOR WATER JACKET .....	1.1
11	3101Q2	(5) O-RING, VAPOR SEPARATOR PUMP COVER .....	1.1
25	3101U3	(14) CASE, VAPOR SEPARATOR PUMP ...	1.3
28	3101Q3	(12) INSULATOR, VAPOR SEPARATOR FUEL PUMP .....	1.3
31	3101D7	SEPARATOR, VAPOR .....	1.1
34	310125	(8) PUMP, VAPOR SEPARATOR FUEL ...	1.3
35	3111D6	REGULATOR, FUEL PRESSURE .....	1.1
40		(15,41) SCREEN, FUEL STRAINER .....	1.3
44	6111C7	HARNES, VAPOR SEPARATOR .....	1.3

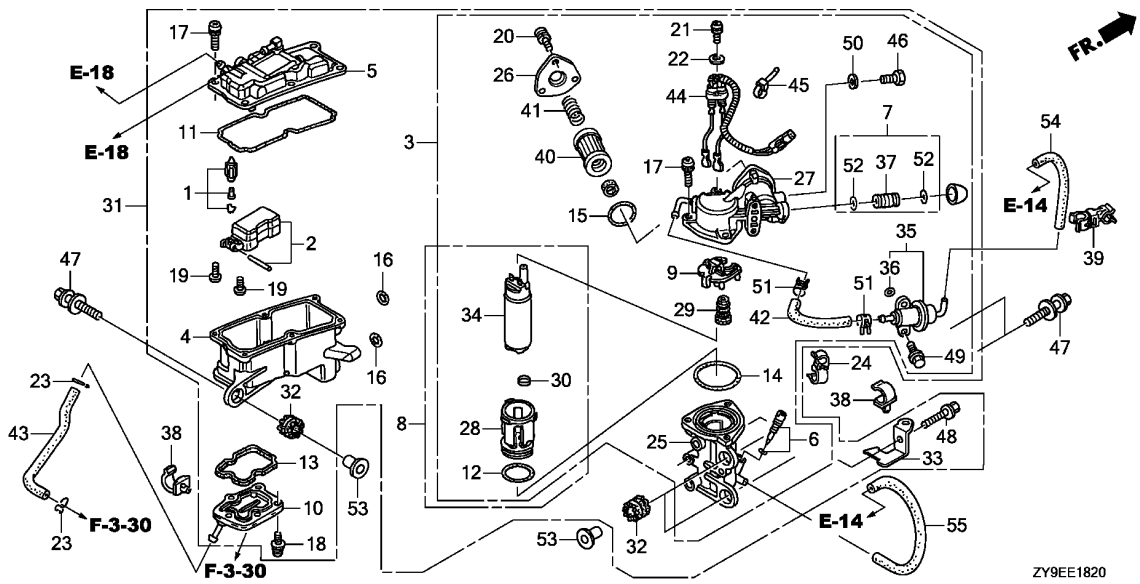
Ref. No.	Part No.	Description	Reqd. QTY				Serial No.	Parts catalogue code
			BF 75D K2	BF 90D K2	BF 75D K3	BF 90D K4		
1	16011-ZY3-A01	VALVE SET, FLOAT .....	1	1	1	1		
2	16013-ZY9-000	FLOAT SET .....	1	1	1	1		
3	16017-ZY9-030	PUMP UNIT, FUEL(A) .....	1	-	-	-	1007029	
	16017-ZY9-040	.....	1	-	-	-	1007030	
	16017-ZY9-030	.....	-	1	-	-	1022705	
	16017-ZY9-040	.....	-	1	-	-	1022706	
4	16019-ZY9-003	BODY .....	1	1	1	1		
5	16020-ZY9-013	COVER COMP. ....	1	1	1	1		
6	16024-ZY3-000	SCREW SET, DRAIN .....	1	1	1	1		
7	16026-ZY3-000	JOINT SET .....	1	1	1	1		
8	16036-ZY6-003	PUMP UNIT, FUEL(B) .....	1	1	1	1		
9	16042-ZY9-013	HOLDER .....	1	1	1	1		
10	16061-ZY9-003	COVER, WATER JACKET .....	1	1	1	1		
11	16071-ZY9-003	O-RING .....	1	1	1	1		
12	16072-ZY3-000	O-RING .....	1	1	1	1		
13	16072-ZY9-003	PACKING .....	1	1	1	1		
14	16073-ZY3-000	O-RING .....	1	1	1	1		
15	16073-ZY9-003	O-RING .....	1	1	1	1		
16	16077-ZY3-000	O-RING .....	2	2	2	2		
17	16081-ZW5-010	SCREW-WASHER .....	9	9	9	9		
18	16081-ZY9-003	SCREW-WASHER .....	5	5	5	5		
19	16082-ZY3-000	SCREW, PAN .....	2	2	2	2		
20	16082-ZY9-003	SCREW-WASHER .....	3	3	3	3		
21	16083-ZY3-000	SCREW, WASHER .....	1	1	1	1		

2

E-18-20

VAPOR SEPARATOR

E 4



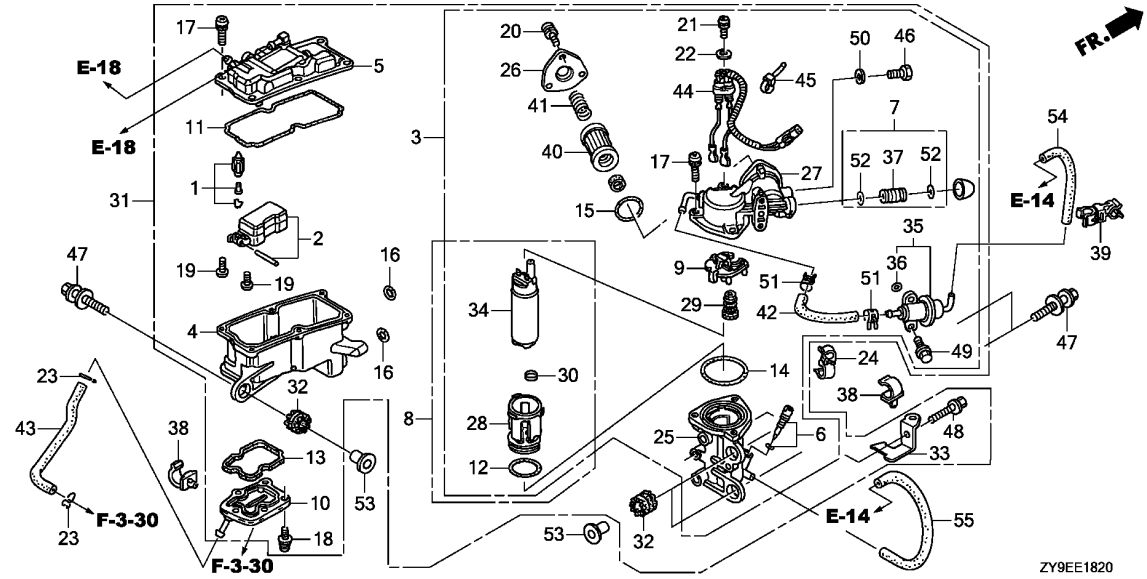
Ref. No.	Part No.	Description	Reqd. QTY				Serial No.	Parts catalogue code
			BF 75D K2	BF 90D K2	BF 75D K3	BF 90D K4		
22	16087-ZY3-000	WASHER, PLAIN .....	1	1	1	1		
23	16163-GHB-610	CLIP, TUBE .....	2	2	2	2		
24	16193-ZY3-A00	CLAMP, CHECK VALVE .....	1	1	1	1		
25	16701-ZY9-003	CASE, PUMP .....	1	1	1	1		
26	16708-ZY9-003	COVER, PUMP(B) .....	1	1	1	1		
27	16715-ZY9-013	COVER, PUMP(A) .....	1	1	1	1		
28	16718-ZY6-013	INSULATOR COMP. ....	1	1	1	1		
29	16721-ZY9-003	INSULATOR .....	1	1	1	1		
30	16723-ZY6-003	RING .....	1	1	1	1		
31	16730-ZY9-053	SEPARATOR ASSY., VAPOR .....	1	-	-	-	1007029	
	16730-ZY9-063	.....	1	-	-	-	1007030	
	16730-ZY9-053	.....	-	1	-	-	1022705	
	16730-ZY9-063	.....	-	1	-	-	1022706	
32	16733-ZY9-000	GROMMET, VAPOR SEPARATOR .....	3	3	3	3		
33	16734-ZY9-010	STAY, FUEL TUBE .....	1	1	1	1		
34	16735-ZW5-003	PUMP UNIT, FUEL .....	1	1	1	1		
35	16740-ZY9-003	REGULATOR ASSY., PRESSURE .....	1	1	1	1		
36	16741-PG7-005	O-RING, PRESSURE REGULATOR ..	1	1	1	1		
37	16752-ZY3-000	JOINT, FUEL PIPE .....	1	1	1	1		
38	16896-ZY9-003	CLAMP B, FUEL TUBE .....	2	2	2	2		
39	16898-ZY9-003	CLAMP D, FUEL TUBE .....	1	1	1	1		
40	16911-ZY3-010	SCREEN COMP., FUEL STRAINER ..	1	1	1	1		
41	16913-ZY9-003	SPRING, COMPRESSION .....	1	1	1	1		

2

# E-18-20

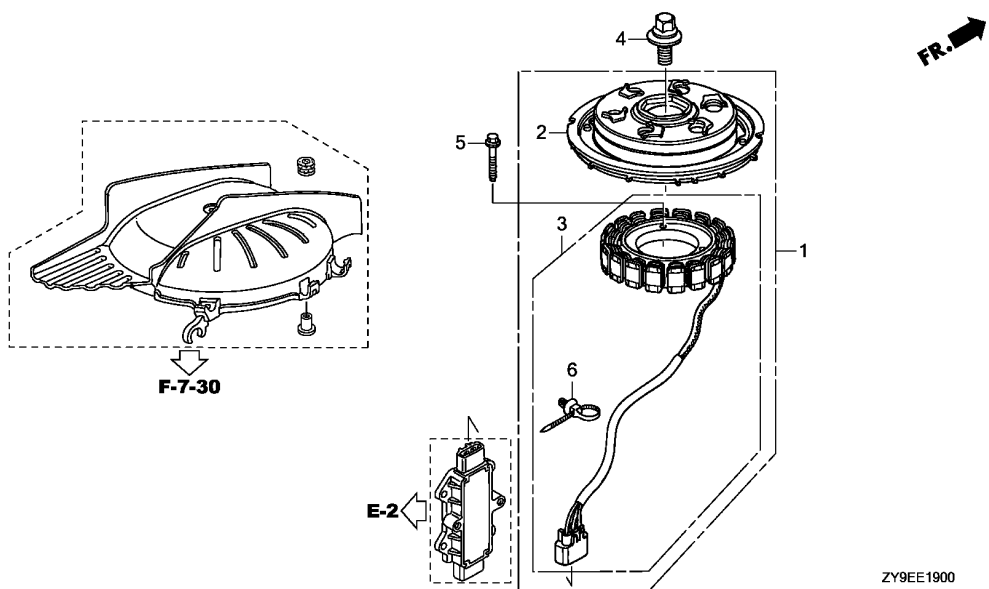
# VAPOR SEPARATOR

E 5



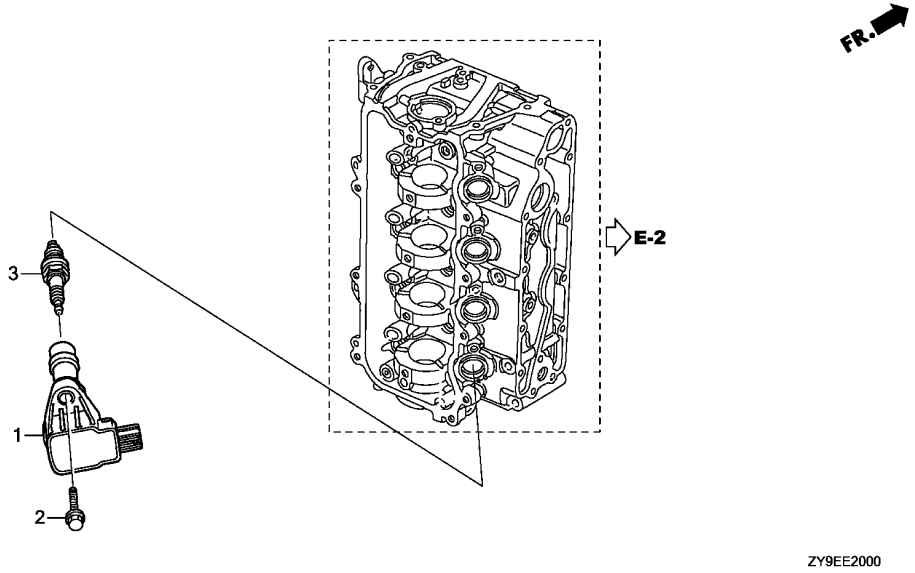
Ref. No.	Part No.	Description	Reqd. QTY				Serial No.	Parts catalogue code
			BF 75D K2	BF 90D K2	BF 75D K3	BF 90D K4		
42	17723-ZY9-003	HOSE, PRESSURE REGULATOR						
		RETURN	1	-	-	-	-----	1007029
	17723-ZY9-F00	.....	1	-	-	-	1007030	-----
	17723-ZY9-003	.....	-	1	-	-	-----	1022705
	17723-ZY9-F00	.....	-	1	-	-	1022706	-----
			-	-	1	1		
43	19255-ZY9-000	TUBE A, WATER	1	1	1	1		
44	32166-ZY9-013	HARNESS COMP.	1	1	1	1		
45	32168-ZW5-003	BAND	1	1	1	1		
46	90009-PP4-E01	BOLT, SEALING, 6MM	1	1	1	1		
47	90014-ZW1-000	BOLT-WASHER, 8X35	3	3	3	3		
48	90016-ZW9-000	BOLT, FLANGE, 6X25	3	3	3	3		
49	90021-ZY3-000	BOLT, FLANGE, 6X14	2	2	2	2		
50	90430-PD6-003	WASHER, SEALING, 6MM	1	1	1	1		
51	90601-ZW5-030	CLAMP, TUBE(D10.7)	2	2	2	2		
52	91301-MJ0-003	O-RING, 7.8X1.9(ARAI)	2	2	2	2		
53	91554-ZW1-000	COLLAR, 8.5X14.5	3	3	3	3		
54	95001-35120-40	TUBE, FUEL, 3.5X120(95001-35001-60M)	1	1	1	1		
55	95003-11024-31	TUBE, VINYL, 5X9X240 (95003-11001-60M)	1	1	1	1		

2



Ref. No.	L.O.N.	(Relative ref. Number) Description	F.R.T.
1	6131D5	ALTERNATOR .....	0.5
2	6131D9	ROTOR, ALTERNATOR .....	0.2
3	6131E6	STATOR, ALTERNATOR .....	0.5

Ref. No.	Part No.	Description	Reqd. QTY				Serial No.	Parts catalogue code
			BF 75D K2	BF 90D K2	BF 75D K3	BF 90D K4		
1	31630-ZY9-003	GENERATOR ASSY., A.C. ....	1	1	-	-		
	31630-ZY9-H01	.....	-	-	1	1		
2	31631-ZY9-003	ROTOR .....	1	1	-	-		
	31631-ZY9-H01	.....	-	-	1	1		
3	31632-ZY9-003	STATOR .....	1	1	1	1		
4	90017-PWA-G02	BOLT-WASHER, 14X36 .....	1	1	1	1		
5	90123-ZV0-010	BOLT, FLANGE, 6X32 .....	3	3	3	3		
6	91540-SOA-003	CLIP, HARNESS BAND (NATURAL) (96.9MM)	1	1	1	1		



ZY9EE2000

Ref. No.	L.O.N.	(Relative ref. Number) Description	F.R.T.
1	6141F1	COIL, DIRECT IGNITION .....	0.2
3	6141C1	PLUG, SPARK .....	0.1
		.INCLUDES: Spark plug check	
	6141F2	PLUG, SPARK :FOR 1 PRODUCT ...	0.4
		.INCLUDES: All spark plug check	

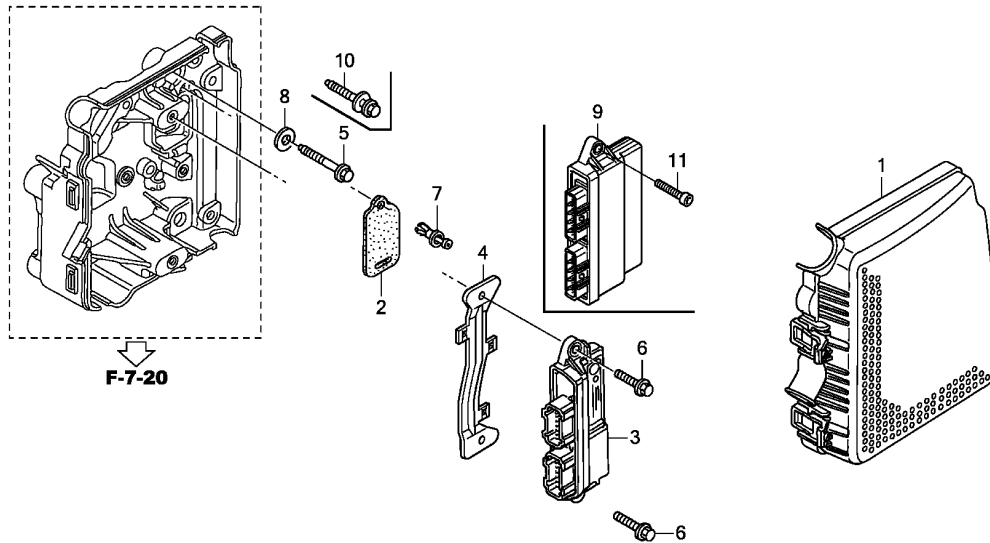
Ref. No.	Part No.	Description	Reqd. QTY				Serial No.	Parts catalogue code
			BF 75D K2	BF 90D K2	BF 75D K3	BF 90D K4		
1	30520-PWC-S01	COIL ASSY., PLUG TOP .....	4	4	4	4		
2	90016-ZW9-000	BOLT, FLANGE, 6X25 .....	4	4	4	4		
3	9807B-5617C	PLUG, SPARK (IZFR6K-11E) (NGK)	4	4	-	-		
	31916-ZY9-H01	PLUG, SPARK (ZFR6K-9E) (NGK) ..	-	-	4	4		
	9807B-5617C	PLUG, SPARK (IZFR6K-11E) (NGK)	-	-	(4)	(4)		



# E-20-10

# ELECTRONIC CONTROL UNIT

**E 8**

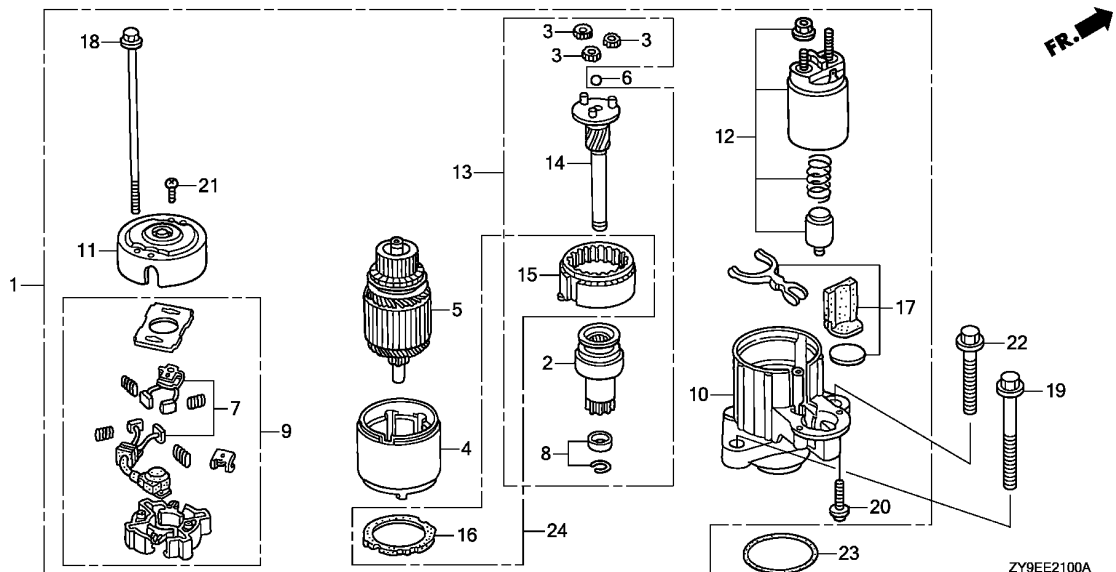


Ref. No.	L.O.N.	(Relative ref. Number) Description	F.R.T.
1	6221B0	COVER, ELECTRIC PARTS .....	0.1
3	6211A6	CONTROL UNIT, ELECTRONIC .....	0.5

ZY9EE2010A

Ref. No.	Part No.	Description	Reqd. QTY				Serial No.	Parts catalogue code
			BF 75D K2	BF 90D K2	BF 75D K3	BF 90D K4		
1	30421-ZY9-000	COVER, ELECTRONIC PARTS .....	1	1	-	-		
2	30424-ZY9-000	RUBBER, EARTH TERMINAL .....	1	1	-	-		
3	34750-ZY9-023	CONTROL UNIT, ELECTRONIC .....	1	-	-	-	----- 1007530	
	34750-ZY9-033	.....	1	-	-	-	1007531	-----
	34750-ZZ0-033	.....	-	1	-	-	----- 1025166	
	34750-ZZ0-043	.....	-	1	-	-	1025167	-----
4	34754-ZY9-000	BRACKET, ELECTRONIC CONTROL UNIT	1	1	-	-		
	34754-ZY9-H00	.....	-	-	1	1		
5	90015-ZV0-C10	BOLT, FLANGE, 6X28(CT200) ...	4	4	-	-		
6	90018-ZW5-000	BOLT, FLANGE, 6X20 .....	2	2	-	-		
7	90127-ZV5-003	SCREW, RIVET, 5X10 .....	1	1	-	-		
8	90404-ZY3-000	WASHER, PLAIN, 22X6X1.6 .....	4	4	-	-		
9	34750-ZY9-H01	CONTROL UNIT, ELECTRONIC .....	-	-	1	-		
	34750-ZZ0-H01	.....	-	-	-	1		
10	90003-ZW2-000	BOLT-WASHER, 6X27(CT200) .....	-	-	4	4		
11	90011-ZY9-H00	BOLT, TORX(M6X20) .....	-	-	2	2		

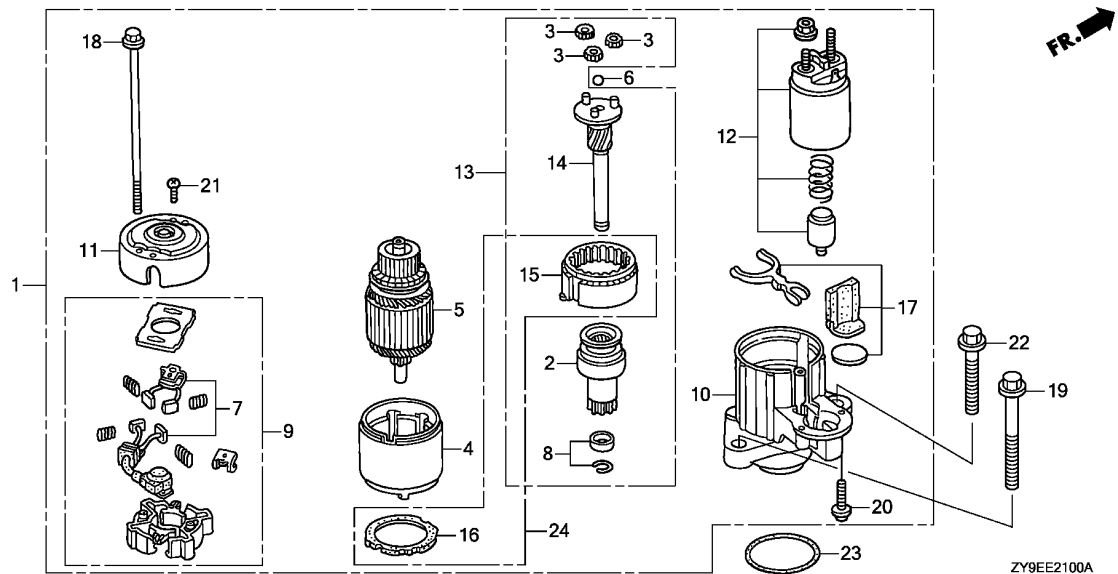
**2**



Ref. No.	L.O.N.	(Relative ref. Number) Description	F.R.T.
1		(23)	
6121D5		MOTOR, STARTER .....	0.9
4		(16)	
6121D1		YOKE, STARTER .....	1.0
5		6121A0 ARMATURE, STARTER .....	1.0
7		6121A8 BRUSH SET, STARTER .....	1.1
9		6121B6 HOLDER, STARTER BRUSH .....	1.0
10		6121E1 BRACKET, STARTER :LOWER .....	1.0
12		6121C9 SWITCH, STARTER MAGNETIC .....	1.0
13		(3,6)	
6121C7		SHAFT, STARTER CLUTCH .....	1.0
15		(2,8,14,24)	
6121B4		GEAR, STARTER INTERNAL .....	1.2
17		6121E2 LEVER, STARTER .....	1.0

Ref. No.	Part No.	Description	Reqd. QTY				Serial No.	Parts catalogue code
			BF 75D K2	BF 90D K2	BF 75D K3	BF 90D K4		
1	31200-ZY9-003	MOTOR ASSY., STARTER .....	1	1	-	-		
	31200-ZY9-H01	.....	-	-	1	1		
2	31207-ZY3-003	CLUTCH COMP., OVERRUNNING .....	1	1	-	-		
	31207-ZY9-H01	.....	-	-	1	1		
3	31215-PY3-004	GEAR ASSY., PLANETARY .....	3	3	3	3		
4	31216-ZY9-003	YOKE COMP. ....	1	1	1	1		
5	31217-ZW1-004	ROTOR COMP. ....	1	1	1	1		
6	31218-PY3-004	BALL, STEEL .....	1	1	1	1		
7	31226-ZY9-003	BRUSH SET .....	1	1	-	-		
	31227-ZY9-H01	.....	-	-	1	1		
8	31229-ZW1-004	STOPPER SET, SLEEVE .....	1	1	-	-		
	31229-ZY9-H01	.....	-	-	1	1		
9	31231-ZY9-003	HOLDER COMP., BRUSH .....	1	1	-	-		
	31231-ZY9-H01	.....	-	-	1	1		
10	31235-ZY6-003	BRACKET, FR. ....	1	1	1	1		
11	31236-ZY6-003	BRACKET, RR. ....	1	1	1	1		
12	31240-ZY6-003	SWITCH ASSY., MAGNET .....	1	1	-	-		
	31240-ZY9-003	.....	-	-	1	1		
13	31242-ZY6-003	SHAFT ASSY., CLUTCH .....	1	1	-	-		
	31242-ZY9-H01	.....	-	-	1	1		
14	31246-ZY3-003	SHAFT ASSY., GEAR .....	1	1	-	-		
	31246-ZY9-H01	.....	-	-	1	1		
15	31247-ZW1-004	GEAR ASSY., INTERNAL .....	1	1	-	-		
16	31249-ZW1-004	PACKING .....	1	1	-	-		
17	31250-ZW1-004	LEVER SET .....	1	1	1	1		
18	31261-ZW1-004	BOLT A, THROUGH .....	2	2	2	2		



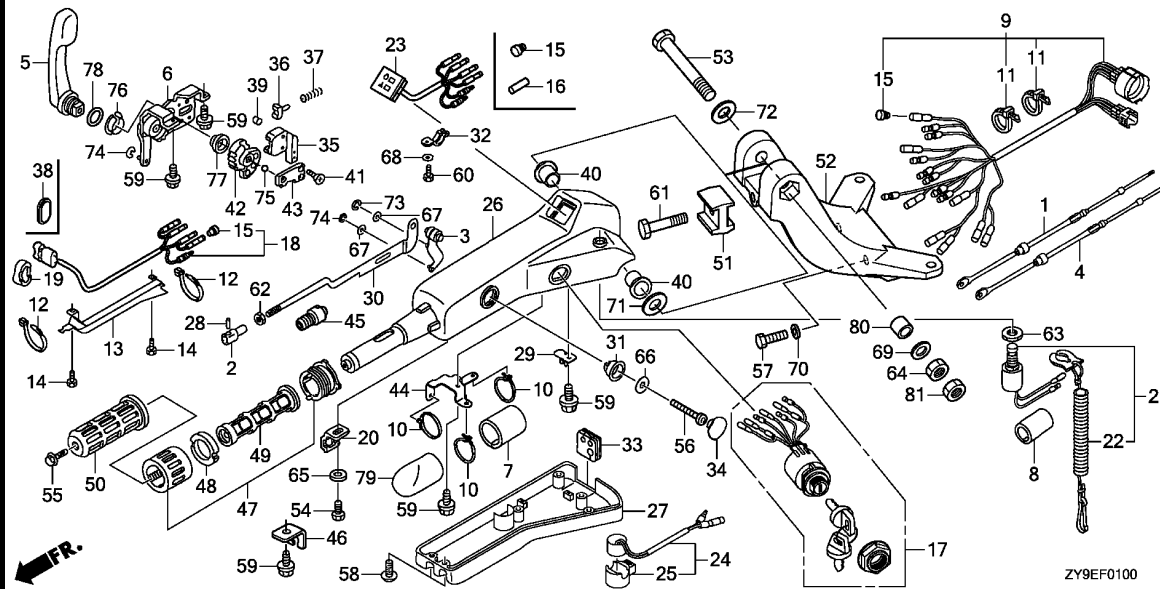


Ref. No.	Part No.	Description	Reqd. QTY				Serial No.	Parts catalogue code
			BF 75D K2	BF 90D K2	BF 75D K3	BF 90D K4		
19	90013-ZY6-000	BOLT, FLANGE, 10X75 .....	1	1	1	1		
20	90106-ZW1-004	SCREW, PAN, 6X22(SPECIAL) ...	2	2	-	-		
	31226-ZY9-H01	SCREW, PAN, 6X22 .....	-	-	2	2		
21	90107-ZW1-004	SCREW, PAN, 5X8 .....	2	2	2	2		
22	90159-ZW4-000	BOLT, FLANGE, 10X35 .....	1	1	1	1		
23	91303-ZY3-000	O-RING, 59.4X3.1 .....	1	1	1	1		
24	31251-ZY9-H01	GEAR ASSY., INTERNAL .....	-	-	1	1		

F-1

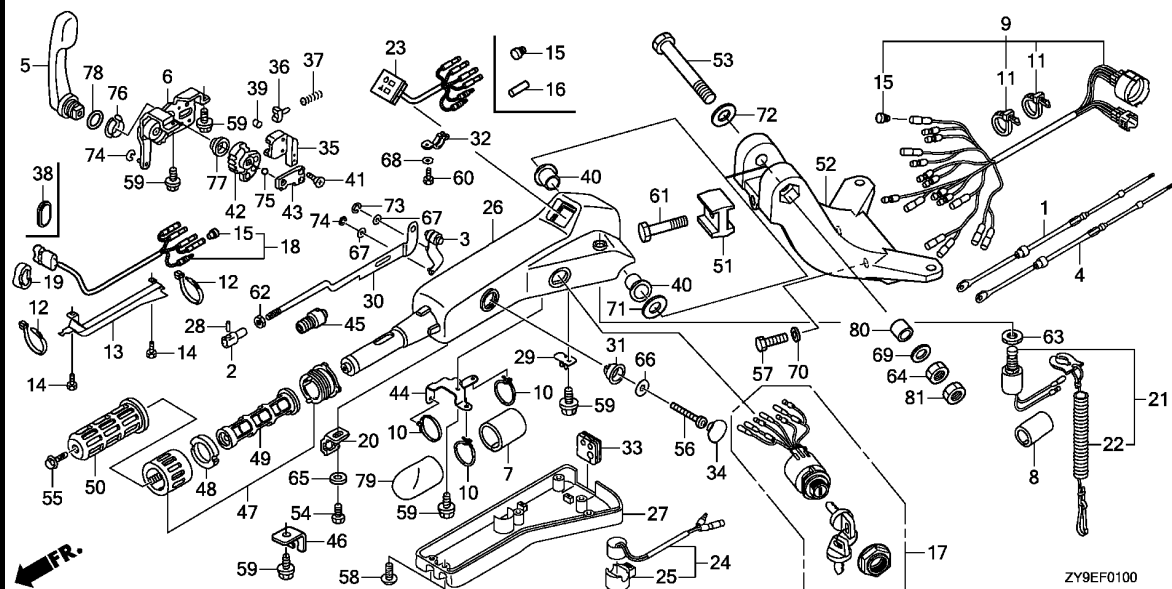
STEERING HANDLE

F 1



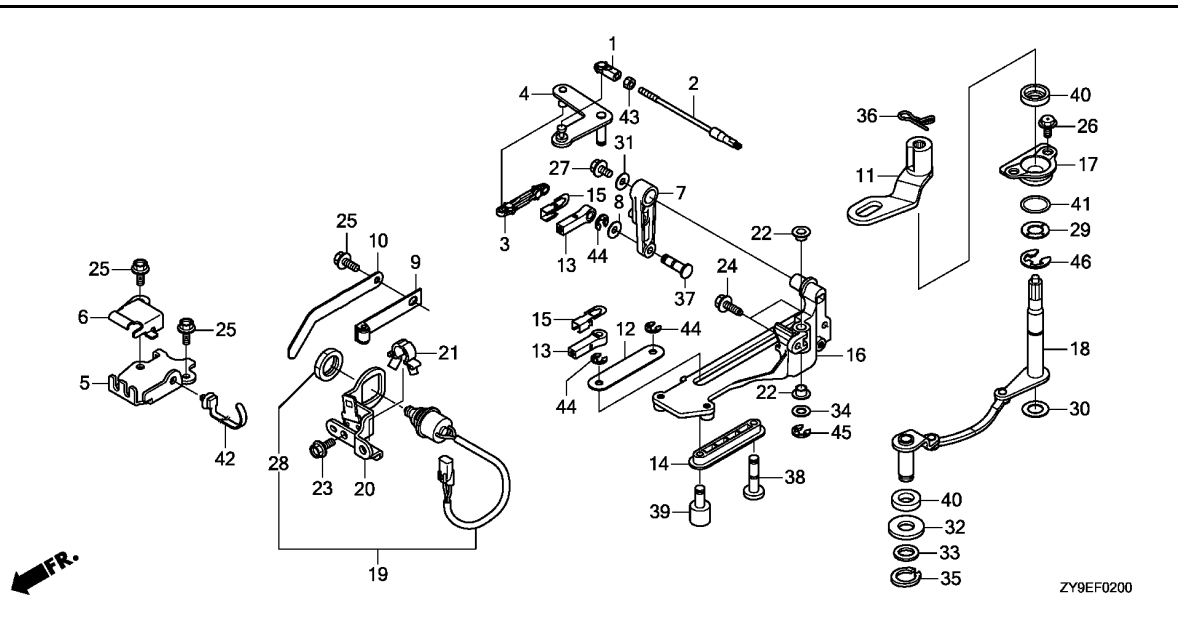
Ref. No.	L.O.N.	(Relative ref. Number) Description	F.R.T.
1	8111C8	CABLE, THROTTLE .....	0.5
4	8111F0	CABLE, SHIFT .....	0.5
5		(78)	
	2101L9	LEVER, SHIFT .....	0.1
6	5101N3	FRAME, SHIFT .....	0.8
9	6111G1	CABLE, LONG HANDLE .....	1.0
17	6151E1	SWITCH, COMBINATION .....	0.6
18	6161B0	SWITCH, POWER TRIM-TILT (STEERING HANDLE) .....	0.7
21	6151B8	SWITCH, EMERGENCY STOP .....	0.6
23	6161D9	LAMP, INDICATION (STEERING HANDLE) .....	0.7
24	6211C3	BUZZER, WARNING .....	0.5
26	5101G8	HOUSING, STEERING HANDLE .....	1.2
27	5101N4	COVER, STEERING HANDLE UNDER .....	0.4
40	5101G7	BUSH, STEERING HANDLE .....	0.3
42	5101N5	GEAR, STEERING HANDLE SHIFT .....	0.9
47		.NOTE: Same time for two units (48,49)	
	8101D8	GRIP, THROTTLE FRICTION .....	0.1
50	8101S1	RUBBER, STEERING HANDLE GRIP .....	0.2
52	8101C2	BRACKET, STEERING HANDLE .....	0.5

Ref. No.	Part No.	Description	Reqd. QTY				Serial No.	Parts catalogue code
			BF 75D K2	BF 90D K2	BF 75D K3	BF 90D K4		
1	17910-ZY9-701	CABLE COMP., THROTTLE .....	1	1	1	1	LHGD,LHGX,LHTD	
2	17917-ZW9-000	PIVOT, THROTTLE CABLE .....	1	1	1	1	LHGD,LHGX,LHTD	
3	17931-ZW4-H02	ARM, THROTTLE .....	1	1	1	1	LHGD,LHGX,LHTD	
4	24590-ZY9-701	CABLE COMP., SHIFT .....	1	1	1	1	LHGD,LHGX,LHTD	
5	24614-ZW4-H03	LEVER, SHIFT .....	1	1	1	1	LHGD,LHGX,LHTD	
6	24615-ZW4-H03	FRAME ASSY., SHIFT .....	1	1	1	1	LHGD,LHGX,LHTD	
7	32533-ZW4-H01	TUBE(38.1X40) .....	1	1	1	1	LHGD,LHGX,LHTD	
8	32534-ZY9-A01	TUBE .....	1	1	1	1	LHGD,LHGX,LHTD	
9	32538-ZY9-A01	CABLE ASSY., LONG HANDLE(A) .....	1	1	1	1	LHGD,LHGX,LHTD	
10	32543-ZW4-H01	BAND(CONVEX CV-150) .....	3	3	3	3	LHGD,LHGX,LHTD	
11	32544-ZW4-H01	BAND(CONVEX CV-200) .....	2	2	2	2	LHGD,LHGX,LHTD	
12	32547-ZW4-H01	BAND(CONVEX) .....	2	2	-	-	LHTD	
13	32548-ZW4-H01	COVER, WIRE .....	1	1	-	-	LHTD	
14	32549-ZW4-H01	SCREW .....	2	2	-	-	LHTD	
15	32823-ZV5-003	PLUG, INNER CONNECTOR .....	12	12	-	-	LHGD,LHGX	
			13	13	-	-	LHTD	
			-	-	12	-	LHGX	
16	32824-ZV5-003	PLUG, OUTER CONNECTOR .....	2	2	2	2	LHGD,LHGX	
17	35100-ZW4-H02	SWITCH ASSY., COMBINATION .....	1	1	1	1	LHGD,LHGX,LHTD	
18	35640-ZW4-H11	SWITCH ASSY., POWER TILT .....	1	1	-	-	LHTD	
19	35643-ZW4-H02	GROMMET .....	1	1	-	-	LHTD	
20	35645-ZW4-H02	HOLDER, SWITCH .....	1	1	1	1	LHGD,LHGX,LHTD	
21	36180-ZV5-033	SWITCH ASSY., EMERGENCY STOP .....	1	1	1	1	LHGD,LHGX,LHTD	
22	36182-ZV4-651	CORD COMP., EMERGENCY .....	1	1	1	1	LHGD,LHGX,LHTD	
23	37210-ZY9-A02	LAMP ASSY., INDICATOR .....	1	1	1	1	LHGD,LHGX,LHTD	



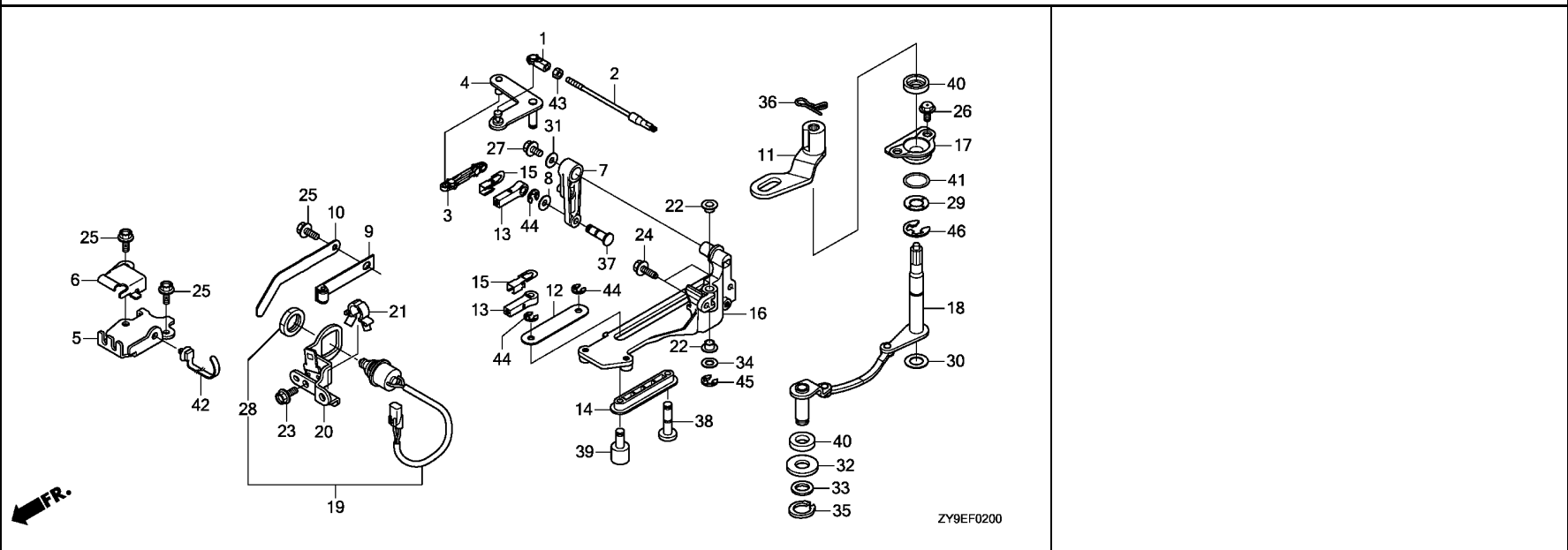
Ref. No.	Part No.	Description	Reqd. QTY				Serial No.	Parts catalogue code
			BF 75D K2	BF 90D K2	BF 75D K3	BF 90D K4		
24	38400-ZY9-A00	BUZZER ASSY., WARNING .....	1	1	1	1	-----	LHGD ,LHGX ,LHTD
25	38402-ZY9-A00	SUSPENSION, WARNING BUZZER ..	1	1	1	1	-----	LHGD ,LHGX ,LHTD
26	53101-ZY9-A02ZB	HOUSING *NHB14M* AQUA MARINE SILVER METALLIC	1	1	1	1	-----	LHGD ,LHGX ,LHTD
27	53102-ZY9-A02	COVER, STEERING HANDLE UNDER	1	1	1	1	-----	LHGD ,LHGX ,LHTD
28	53103-ZW9-000	PIN, THROTTLE CABLE .....	1	1	1	1	-----	LHGD ,LHGX ,LHTD
29	53104-ZW4-H02	BRACKET, CABLE .....	1	1	1	1	-----	LHGD ,LHGX ,LHTD
30	53105-ZY9-A01	PLATE ASSY., LOCK .....	1	1	1	1	-----	LHGD ,LHGX ,LHTD
31	53106-ZW4-H01	STOPPER .....	1	1	1	1	-----	LHGD ,LHGX ,LHTD
32	53107-ZW4-H02	PLATE, GUIDE .....	1	1	1	1	-----	LHGD ,LHGX ,LHTD
33	53108-ZY9-A00	GROMMET .....	1	1	1	1	-----	LHGD ,LHGX ,LHTD
34	53109-ZW4-H02	CAP .....	1	1	1	1	-----	LHGD ,LHGX ,LHTD
35	53112-ZW4-H02	GUIDE, SPRING .....	1	1	1	1	-----	LHGD ,LHGX ,LHTD
36	53113-ZW4-H01	ACTUATOR .....	1	1	1	1	-----	LHGD ,LHGX ,LHTD
37	53114-ZW4-H01	SPRING, COIL .....	1	1	1	1	-----	LHGD ,LHGX ,LHTD
38	53115-ZW4-H02	GROMMET, POWER TILT SWITCH ..	1	1	1	1	-----	LHGD ,LHGX
39	53116-ZW4-H01	ROLLER .....	1	1	1	1	-----	LHGD ,LHGX ,LHTD
40	53116-ZW4-H11	BUSH, STEERING HANDLE .....	2	2	2	2	-----	LHGD ,LHGX ,LHTD
41	53117-ZW4-H01	SCREW(M5X14) .....	4	4	4	4	-----	LHGD ,LHGX ,LHTD
42	53118-ZW4-H03	GEAR, SHIFT .....	1	1	1	1	-----	LHGD ,LHGX ,LHTD
43	53119-ZW4-H02	PLATE, BALL GUIDE .....	1	1	1	1	-----	LHGD ,LHGX ,LHTD
44	53121-ZW4-H02	BRACKET .....	1	1	1	1	-----	LHGD ,LHGX ,LHTD
45	53122-ZW4-H01	ROD, GROMMET .....	1	1	1	1	-----	LHGD ,LHGX ,LHTD

Ref. No.	Part No.	Description	Reqd. QTY				Serial No.	Parts catalogue code
			BF 75D K2	BF 90D K2	BF 75D K3	BF 90D K4		
46	53123-ZW4-H01	CLAMP, BRACKET .....	1	1	1	1	-----	LHGD,LHGX,LHTD
47	53130-ZW9-000	GRIP ASSY., THROTTLE FRICTION	1	1	1	1	-----	LHGD,LHGX,LHTD
48	53133-ZW9-000	PAD, THROTTLE FRICTION .....	1	1	1	1	-----	LHGD,LHGX,LHTD
49	53141-ZW4-H00	PIPE, GRIP .....	1	1	1	1	-----	LHGD,LHGX,LHTD
50	53165-ZW9-000	RUBBER, GRIP .....	1	1	1	1	-----	LHGD,LHGX,LHTD
51	53232-ZY9-A00	BLOCK, HEIGHT ADJUSTER .....	1	1	1	1	-----	LHGD,LHGX,LHTD
52	53233-ZY9-A00ZB	BRACKET B, STEERING *NHB14M*						
		AQUA MARINE SILVER METALLIC	1	1	1	1	-----	LHGD,LHGX,LHTD
53	90101-ZW4-H00	BOLT, HEX., 12X80 .....	1	1	1	1	-----	LHGD,LHGX,LHTD
54	90102-ZW4-H01	BOLT(M5X8) .....	1	1	1	1	-----	LHGD,LHGX,LHTD
55	90102-ZW9-000	BOLT, FLANGE, 6X12 .....	1	1	1	1	-----	LHGD,LHGX,LHTD
56	90103-ZW4-H02	BOLT(M8X50) .....	1	1	1	1	-----	LHGD,LHGX,LHTD
57	90103-ZY3-000	BOLT, HEX., 10X32 .....	2	2	2	2	-----	LHGD,LHGX,LHTD
58	90104-ZW4-H01	BOLT(M5X12) .....	6	6	6	6	-----	LHGD,LHGX,LHTD
59	90105-ZW4-H02	BOLT(M6X12) .....	5	5	5	5	-----	LHGD,LHGX,LHTD
60	90106-ZW4-H01	BOLT(M5X12) .....	3	3	3	3	-----	LHGD,LHGX,LHTD
61	90118-HW1-671	BOLT, FLANGE, 8X28 .....	1	1	1	1	-----	LHGD,LHGX,LHTD
62	90301-ZW4-H01	NUT, HEX., 5MM .....	1	1	1	1	-----	LHGD,LHGX,LHTD
63	90302-921-000	NUT, HEX., 16MM .....	1	1	1	1	-----	LHGD,LHGX,LHTD
64	90303-ZW4-H00	NUT, HEX., 12MM .....	1	1	1	1	-----	LHGD,LHGX,LHTD
65	90501-ZW4-H01	WASHER, 5MM .....	1	1	1	1	-----	LHGD,LHGX,LHTD
66	90502-ZW4-H02	WASHER, 8MM .....	1	1	1	1	-----	LHGD,LHGX,LHTD
67	90503-ZW4-H01	WASHER, 10MM .....	2	2	2	2	-----	LHGD,LHGX,LHTD
68	90504-ZW4-H01	WASHER, 5MM .....	3	3	3	3	-----	LHGD,LHGX,LHTD
69	90506-ZV1-000	WASHER, WAVE, 14MM .....	1	1	1	1	-----	LHGD,LHGX,LHTD
70	90514-ZV4-000	WASHER, 10MM .....	2	2	2	2	-----	LHGD,LHGX,LHTD
71	90552-ZV5-000	WASHER, PLAIN, 12MM .....	1	1	1	1	-----	LHGD,LHGX,LHTD
72	90559-ZV5-000	WASHER, PLAIN, 12MM .....	1	1	1	1	-----	LHGD,LHGX,LHTD
73	90651-ZW4-H01	E-RING .....	1	1	1	1	-----	LHGD,LHGX,LHTD
74	90652-ZW4-H01	E-RING .....	2	2	2	2	-----	LHGD,LHGX,LHTD
75	90951-ZY9-A01	BALL, STEEL .....	1	1	1	1	-----	LHGD,LHGX,LHTD
76	91051-ZW4-H02	BEARING .....	1	1	1	1	-----	LHGD,LHGX,LHTD
77	91052-ZW4-H01	BEARING .....	1	1	1	1	-----	LHGD,LHGX,LHTD
78	91304-HP5-601	O-RING, 20.6X1.9 .....	1	1	1	1	-----	LHGD,LHGX,LHTD
79	91451-ZY9-A00	TUBE, CORD, 40MM .....	1	1	1	1	-----	LHGD,LHGX,LHTD
80	91552-ZW4-H00	COLLAR, DISTANCE, 12.2X23X16	1	1	1	1	-----	LHGD,LHGX,LHTD
81	94002-12490-0S	NUT, HEX., 12MM .....	1	1	1	1	-----	LHGD,LHGX,LHTD

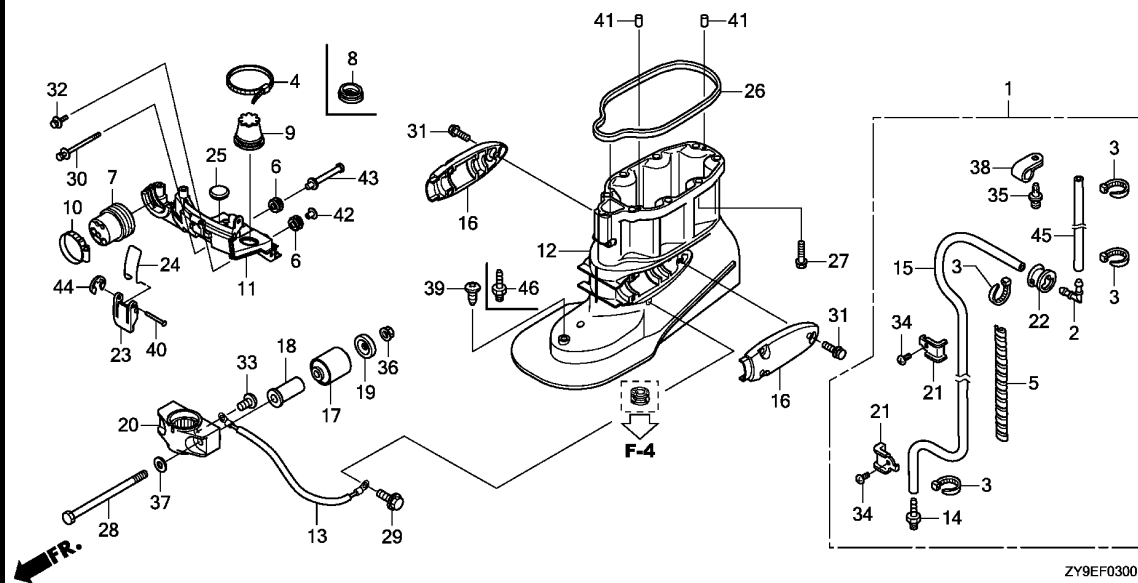


Ref. No.	L.O.N.	(Relative ref. Number) Description	F.R.T.
2	8101R4	ROD, THROTTLE .....	0.3
3	8101R8	LINK, THROTTLE .....	0.1
7	8101A7	ARM, THROTTLE .....	0.3
9		(10)	
	2101Q4	SPRING, CLICK .....	0.2
11	2101A5	ARM, SHAFT SHIFT .....	0.6
16	2101D0	BRACKET, SHIFT LINK .....	0.7
17	8101S2	HOLDER, SHIFT SHAFT SEAL .....	0.7
18	2091G8	SHAFT, SHIFT .....	4.4
		.INCLUDES: Engine removal and installation	
19	6151E2	SWITCH, NEUTRAL .....	0.6
40	2091K6	WATER SEAL, SHIFT SHAFT :UPPER	0.7
	2091K7	WATER SEAL, SHIFT SHAFT :LOWER	0.6

Ref. No.	Part No.	Description	Reqd. QTY				Serial No.	Parts catalogue code
			BF 75D K2	BF 90D K2	BF 75D K3	BF 90D K4		
1	17838-ZV5-000	LINKAGE, PIVOT .....	1	1	1	1		
2	17840-ZY9-000	ROD COMP., THROTTLE .....	1	1	1	1		
3	17845-ZY6-000	LINK, THROTTLE .....	1	1	1	1		
4	17860-ZY9-000	PLATE COMP., THROTTLE .....	1	1	1	1		
5	17877-ZY9-000	PLATE, REMOTE CONTROL CABLE .....	1	1	1	1		
6	17878-ZY9-000	COVER, REMOTE CONTROL CABLE .....	1	1	1	1		
7	17931-ZY6-000	ARM, THROTTLE .....	1	1	1	1		
8	17936-921-000	WASHER, PIVOT .....	1	1	1	1		
9	24210-ZW1-010	SPRING COMP., CLICK .....	1	1	1	1		
10	24221-ZY9-000	SPRING, CLICK ASSIST .....	1	1	1	1		
11	24612-ZY9-000	ARM, SHIFT .....	1	1	1	1		
12	24614-ZY9-000	PLATE, SHIFT PIVOT .....	1	1	1	1		
13	24618-ZY3-000	PIVOT, SHIFT .....	2	2	2	2		
14	24618-ZY9-000	PIVOT, SHIFT SLIDE .....	1	1	1	1		
15	24619-ZY3-000	PLATE, LOCK .....	2	2	2	2		
16	24628-ZY9-000	BRACKET, SHIFT LINK .....	1	1	1	1		
17	24629-ZW1-000	HOLDER, SEAL .....	1	1	1	1		
18	24630-ZY9-000	SHAFT COMP., SHIFT .....	1	1	1	1		
19	35470-ZY9-013	SWITCH ASSY., NEUTRAL .....	1	1	-	-		
	35470-ZY9-023	.....	-	-	1	1		
20	35475-ZY9-010	BRACKET, NEUTRAL SWITCH .....	1	1	1	1		
21	46391-VM0-003	CLIP, BRAKE PIPE(A) .....	1	1	1	1		
22	63205-ZY3-000	BUSH A, COVER LOCK .....	2	2	2	2		
23	90011-ZW9-000	BOLT, FLANGE, 6X14(CT200) .....	1	1	1	1		
24	90017-ZV0-C10	BOLT, FLANGE, 6X18(CT200) .....	2	2	2	2		



Ref. No.	Part No.	Description	Reqd. QTY				Serial No.	Parts catalogue code
			BF 75D K2	BF 90D K2	BF 75D K3	BF 90D K4		
25	90017-ZY3-000	BOLT, FLANGE, 6X16 .....	3	3	3	3		
26	90023-ZW5-000	BOLT, FLANGE, 6X11 .....	2	2	2	2		
27	90056-ZY3-000	BOLT, FLANGE, 6X12 .....	1	1	1	1		
28	90302-ZV5-003	NUT, HEX., 20MM .....	1	1	1	1		
29	90429-GET-000	WASHER, SIDE, 14MM .....	1	1	1	1		
30	90501-ZW5-000	WASHER, SHIFT SHAFT .....	1	1	1	1		
31	90508-ZY3-000	WASHER, PLAIN, 6MM .....	1	1	1	1		
32	90508-ZY9-000	WASHER, 14MM .....	1	1	1	1		
33	90509-ZY9-000	WASHER, 13MM .....	1	1	1	1		
34	90518-921-000	WASHER, PLAIN, 8MM .....	1	1	1	1		
35	90651-ZY9-000	CIRCLIP, EXTERNAL, 12 .....	1	1	1	1		
36	90705-SD2-931	PIN, SNAP, 6MM .....	1	1	1	1		
37	90751-ZY3-000	PIN, LINK .....	1	1	1	1		
38	90752-ZY6-000	PIN, SHIFT LINK .....	1	1	1	1		
39	90753-ZY6-000	PIN, LINK .....	1	1	1	1		
40	91255-ZV4-651	WATER SEAL, 14X26X6 .....	2	2	2	2		
41	91305-KF0-003	O-RING, 27X2(ARAI) .....	1	1	1	1		
42	91540-STK-003	CLIP, HARNESS BAND(BLACK) (155.3MM)	1	1	1	1		
43	94001-05490-0S	NUT, HEX., 5MM .....	1	1	1	1		
44	94540-04029	E-RING, 4MM .....	3	3	3	3		
45	94540-06029	E-RING, 6MM .....	1	1	1	1		
46	94540-12029	E-RING, 12MM .....	1	1	1	1		



Ref. No.	L.O.N.	(Relative ref. Number) Description	F.R.T.
7	8101BC	GROMMET, STEERING HANDLE CABLE	0.3
11	4101W8	BRACKET, UNDER COVER :FRONT ..	0.9
12	2191B2	CASE, EXTENSION .....	2.0
16	4141S0	HOUSING, LOWER MOUNTING :LEFT	0.1
	4141S1	HOUSING, LOWER MOUNTING :RIGHT	0.1
17	4101Y4	RUBBER, LOWER MOUNTING :LEFT	0.3
	4101Y4A	.Replace one add .....	0.1
	4101Y5	RUBBER, LOWER MOUNTING :RIGHT	0.3
	4101Y5A	.Replace one add .....	0.1
20	4101R1	RUBBER, LOWER CENTER MOUNTING .INCLUDES: Engine removal and installation	5.5
26	4141N1	SEAL B, COVER UNDER .....	1.9

3

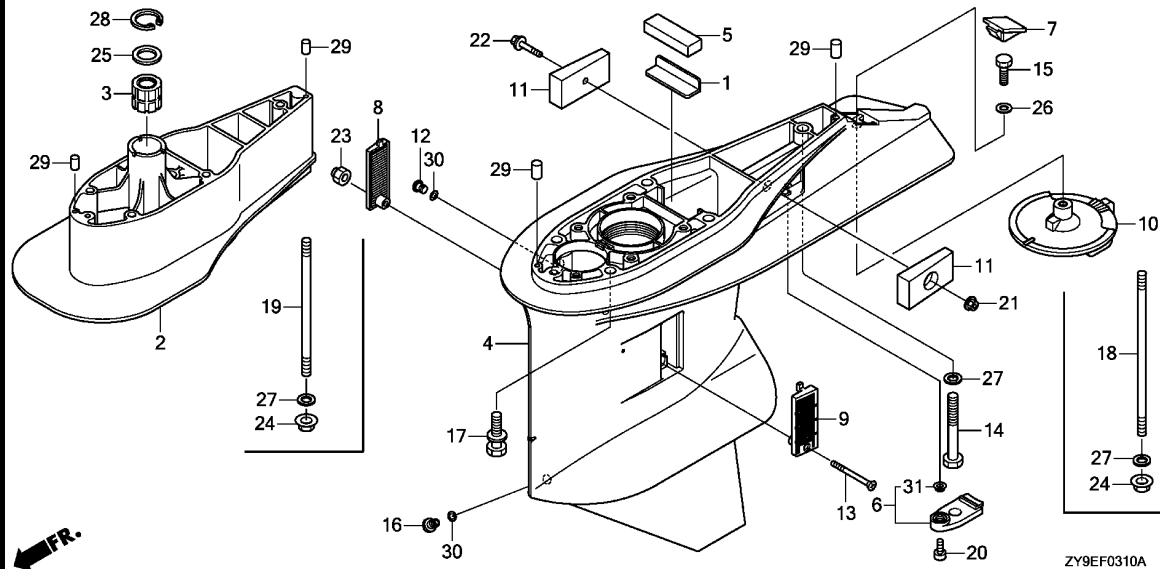
Ref. No.	Part No.	Description	Reqd. QTY				Serial No.	Parts catalogue code
			BF 75D K2	BF 90D K2	BF 75D K3	BF 90D K4		
1	06411-ZY9-010	TUBE KIT, SPEED SENSOR .....	(1)	(1)	(1)	(1)		
2	17357-GE1-670	JOINT A, BREATHER .....	(1)	(1)	(1)	(1)		
3	32161-KM3-003	BAND, WIRE .....	(4)	(4)	(4)	(4)		
4	35701-MG9-950	BAND(BLACK 3.5X140) .....	1	1	1	1	-----	LHTD,LRTD,LRTL,LRTR,LRTU,LRTX,XRTD,XRTL,XRTU
5	36104-ZY6-003	TUBE, SPIRAL .....	(1)	(1)	(1)	(1)		
6	40102-ZV5-000	GROMMET, UNDER CASE .....	3	3	3	3		
7	40105-ZY9-A00	GROMMET, STEERING HANDLE CABLE	1	1	1	1	-----	LHGD,LHGX,LHTD
	40105-ZY9-000	GROMMET, REMOTE CONTROL CABLE	1	1	1	1	-----	LRTD,LRTL,LRTR,LRTU,LRTX,XRTD,XRTL,XRTU
8	40107-ZV5-000	GROMMET, UNDER CASE(C) .....	1	1	1	1	-----	LHGD,LHGX
9	40107-ZW1-700	GROMMET, UNDER CASE(C) .....	1	1	1	1	-----	LHTD,LRTD,LRTL,LRTR,LRTU,LRTX,XRTD,XRTL,XRTU
10	40119-ZY3-003	BAND, UNDER CASE GROMMET ....	1	1	1	1		
11	40154-ZY9-000ZB	BRACKET, FR. UNDER COVER *NHB14M*						
		AQUA MARINE SILVER METALLIC	1	1	1	1		
12	40201-ZY9-010ZB	CASE, EXTENSION *NHB14M*						
		AQUA MARINE SILVER METALLIC	1	1	-	-		
	40201-ZY9-020ZB	*NHB14M*						
		AQUA MARINE SILVER METALLIC	-	-	1	1		
13	40219-ZY6-023	WIRE, LEAD(1.5X137MM) .....	1	1	1	1		
14	41172-ZV5-000	NIPPLE, SENSOR .....	(1)	(1)	(1)	(1)		
15	41173-ZY9-000	TUBE, SPEED SENSOR .....	(1)	(1)	(1)	(1)		
16	50111-ZY9-000ZB	HOUSING, LOWER MOUNTING *NHB14M*						
		AQUA MARINE SILVER METALLIC	2	2	2	2		
17	50155-ZZ0-000	MOUNT COMP., LOWER RUBBER ...	2	2	2	2		

Ref. No.	Part No.	Description	Reqd. QTY				Serial No.	Parts catalogue code
			BF 75D K2	BF 90D K2	BF 75D K3	BF 90D K4		
18	50156-ZY9-000	COLLAR, LOWER MOUNTING .....	2	2	2	2		
19	50157-ZY9-000	STOPPER, LOWER MOUNT .....	2	2	2	2		
20	50161-ZW1-020ZB	HOUSING, LOWER CENTER MOUNTING *NHB14M* AQUA MARINE SILVER METALLIC	1	1	1	1		
21	50209-ZY6-000	PLATE, SPEED SENSOR TUBE ....	(2)	(2)	(2)	(2)		
22	56118-ZY6-000	BUSH, MOTOR CODE .....	(1)	(1)	(1)	(1)		
23	63232-ZY9-010	LEVER, FASTENER .....	1	1	1	1		
24	63237-ZY9-000	WIRE, FASTENER .....	1	1	1	1		
25	63515-ZC0-700	CAP, L. SIDE COVER .....	1	1	1	1		
26	63719-ZY9-000	SEAL B, COVER UNDER .....	1	1	1	1		
27	90002-ZY6-000	BOLT, FLANGE, 10X40 .....	8	8	8	8		
28	90102-ZY9-000	BOLT, HEX., 12X186 .....	2	2	2	2		
29	90103-ZW9-010	BOLT, FLANGE, 6X12 .....	1	1	1	1		
30	90104-ZY9-000	BOLT-WASHER, 6X95 .....	1	1	1	1		
31	90105-ZY6-000	BOLT-WASHER, 8X30 .....	6	6	6	6		
32	90105-ZY9-000	BOLT-WASHER, 6X27 .....	2	2	2	2		
33	90119-ZV5-000	SCREW, PAN, 6X8 .....	1	1	1	1		
34	90119-ZV5-000	SCREW, PAN, 6X8 .....	(2)	(2)	(2)	(2)		
35	90127-ZV5-003	SCREW, RIVET, 5X10 .....	(1)	(1)	(1)	(1)		
36	90302-ZW5-003	NUT, FLANGE, 12MM .....	2	2	2	2		
37	90559-ZW1-000	WASHER, PLAIN, 12MM .....	2	2	2	2		
38	90628-750-000	CLIP(14MM) .....	(1)	(1)	(1)	(1)		
39	90651-ZZ3-003	CLIP, 7MM .....	1	1	1	1		
40	90754-ZY9-000	PIN, 5X44.5 .....	1	1	1	1		
41	90756-ZV5-000	DOWEL PIN, 6X10 .....	2	2	2	2		
42	91553-ZV5-010	COLLAR, C.D.I. UNIT CASE ....	2	2	2	2		
43	91553-ZY9-000	COLLAR, FR. BRACKET .....	1	1	1	1		
44	94540-04029	E-RING, 4MM .....	1	1	1	1		
45	95005-50950-30	TUBE, 5X950(95005-50001-30M)	(1)	(1)	(1)	(1)		
46	41172-ZV5-000	NIPPLE, SENSOR .....	1	1	1	1		

# F-3-10

# GEAR CASE

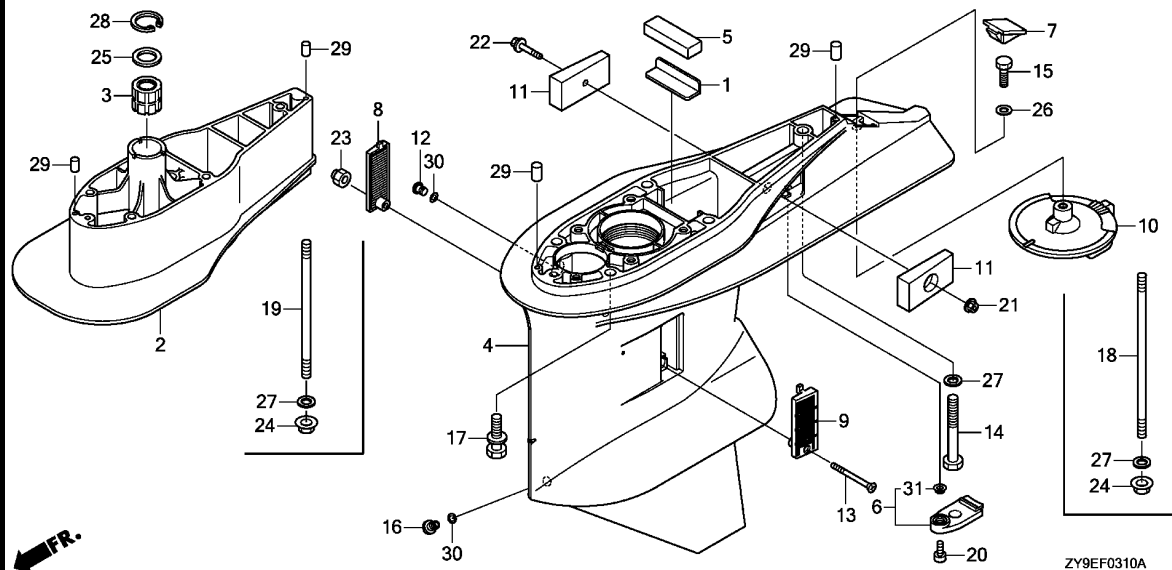
F 8



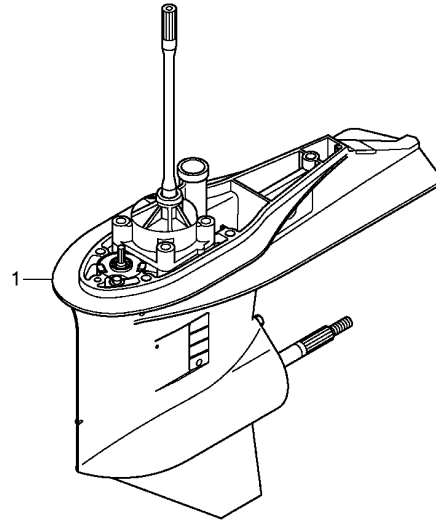
Ref. No.	L.O.N.	(Relative ref. Number) Description	F.R.T.
2	2101W8	SEPARATOR, GEAR CASE EXTENSION	0.8
3	2191A4	BUSH, VERTICAL SHAFT	0.8
4	2101D7	CASE, GEAR	1.6
8	4131H6	SCREEN, WATER :RIGHT	0.1
9	4131H5	SCREEN, WATER :LEFT	0.1
10	4131J2	TAB, TRIM	0.1
11	2101Y2	METAL, GEAR CASE ANODE :LEFT	0.1
		.NOTE: Same time for two units	
	2101Y3	METAL, GEAR CASE ANODE :RIGHT	0.1
		.NOTE: Same time for two units	

Ref. No.	Part No.	Description	Reqd. QTY				Serial No.	Parts catalogue code
			BF 75D K2	BF 90D K2	BF 75D K3	BF 90D K4		
1	19286-ZW1-B00	PLATE, RUBBER SETTING	1	1	1	1		
2	40202-ZY9-610ZC	SEPARATOR, EXTENSION(XL)						
		*NHB14M*						
	40202-ZY9-H50ZA	AQUA MARINE SILVER METALLIC	1	1	-	-	-----	XRTD,XRTL,XRTU
		*NHB14M*						
		AQUA MARINE SILVER METALLIC	-	-	-	1	-----	XRTD,XRTL
3	40210-ZW1-710	BUSH COMP., VERTICAL SHAFT	1	1	-	1	-----	XRTD,XRTL,XRTU
4	41101-ZZ0-000ZC	CASE, GEAR						
		*NHB14M*						
	41101-ZY9-H00ZA	AQUA MARINE SILVER METALLIC	1	1	-	-		
		*NHB14M*						
		AQUA MARINE SILVER METALLIC	-	-	1	1		
5	41102-ZW1-B00	GROMMET, GEAR CASE	1	1	1	1		
6	41102-ZZ0-000	COVER B, GEAR CASE	1	1	1	1		
7	41103-ZZ0-000	GROMMET, GEAR CASE	1	1	1	1		
8	41104-ZZ0-010	SCREEN, R. WATER	1	1	1	1		
9	41105-ZZ0-010	SCREEN, L. WATER	1	1	1	1		
10	41107-ZZ0-000ZC	TAB, TRIM						
		*NHB14M*						
		AQUA MARINE SILVER METALLIC	1	1	1	1		
11	41109-ZW1-B00	METAL COMP., ANODE	2	2	2	2		
12	90101-ZW9-003	BOLT, OIL CHECK	1	1	1	1		
13	90101-ZZ0-000	SCREW, FLAT, 5X55	1	1	1	1		
14	90104-ZW1-900	BOLT, HEX., 10X80	1	1	1	1	-----	LHGD,LHGX,LHTD,LRTD,LRTL,LRTR,LRTU,LRTX
15	90115-ZV5-000	BOLT, HEX., 8X25	1	1	1	1		
16	90120-ZY3-000	BOLT, DRAIN PLUG	1	1	1	1		

3



Ref. No.	Part No.	Description	Reqd. QTY				Serial No.	Parts catalogue code
			BF 75D K2	BF 90D K2	BF 75D K3	BF 90D K4		
17	90123-ZY6-000	BOLT-WASHER, 10X40	4	4	4	4	LHGD, LHGX, LHTD, LRTD, LRTL, LRTR, LRTU, LRTX	
18	90124-ZW1-910	BOLT, STUD(10X202)	1	1	-	1	XRTD, XRTL, XRTU	
19	90125-ZW1-910	BOLT, STUD(10X164)	4	4	-	4	XRTD, XRTL, XRTU	
20	90133-ZY3-000	BOLT, SOCKET, 6X16	1	1	1	1		
21	90205-ZY1-000	NUT, SELF-LOCK, 6MM	1	1	1	1		
22	90225-HW1-670	BOLT, FLANGE, 6X35	1	1	1	1		
23	90302-ZV4-000	NUT, SELF-LOCK, 5MM	1	1	1	1		
24	90306-ZV5-003	NUT, SELF-LOCK, 10MM	5	5	-	5	XRTD, XRTL, XRTU	
25	90501-ZW1-710	WASHER, 26MM	1	1	-	1	XRTD, XRTL, XRTU	
26	90507-ZV4-000	WASHER, PLAIN, 8MM	1	1	1	1		
27	90563-ZV5-000	WASHER, PLAIN, 10MM	5	5	-	-	XRTD, XRTL, XRTU	
			1	-	1	-	LHGD, LHGX, LHTD, LRTD, LRTL, LRTU, LRTX	
			-	1	-	1	LHGD, LHGX, LHTD, LRTD, LRTL, LRTR, LRTU	
			-	-	-	5	XRTD, XRTL	
28	90651-ZW1-710	CIRCLIP, INTERNAL, 40	1	1	-	1	XRTD, XRTL, XRTU	
29	90756-ZV5-000	DOWEL PIN, 6X10	4	4	-	-	XRTD, XRTL, XRTU	
			2	-	2	-	LHGD, LHGX, LHTD, LRTD, LRTL, LRTU, LRTX	
			-	2	-	2	LHGD, LHGX, LHTD, LRTD, LRTL, LRTR, LRTU	
			-	-	-	4	XRTD, XRTL	
30	91301-ZW4-003	O-RING, 6.9X1.45	2	2	2	2		
31	91556-ZY3-000	COLLAR, DISTANCE, 6.5X9X3	1	1	1	1		



FR.

ZY9EF0320

Ref. No.	L.O.N.	(Relative ref. Number) Description	F.R.T.
1	2101D3	CASE ASSEMBLY, GEAR .....	0.7

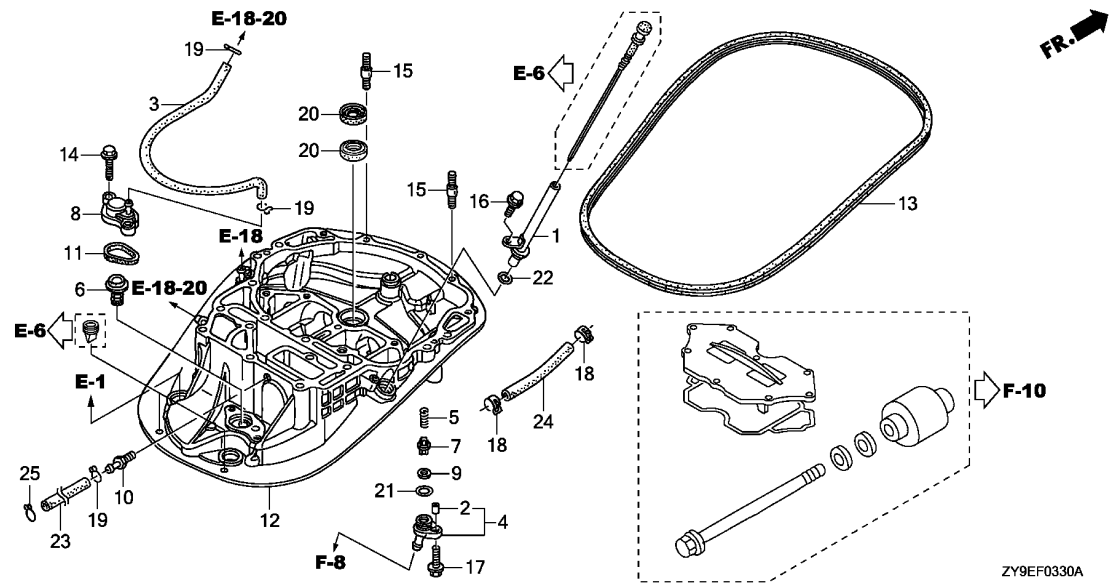
3

Ref. No.	Part No.	Description	Reqd. QTY				Serial No.	Parts catalogue code
			BF 75D K2	BF 90D K2	BF 75D K3	BF 90D K4		
1	41100-ZZ0-040ZB	CASE ASSY., GEAR(L) *NHB14M* AQUA MARINE SILVER METALLIC	1	1	-	-	-----	LHGD,LHTD,LRTD,LRTL,LRTU
	41100-ZZ0-614ZB	CASE ASSY., GEAR(XL) *NHB14M* AQUA MARINE SILVER METALLIC	1	1	-	-	-----	XRTD,XRTL,XRTU
	41100-ZY9-H00ZA	CASE ASSY., GEAR(L) *NHB14M* AQUA MARINE SILVER METALLIC	-	-	1	1	-----	LHGX,LHTD,LRTD,LRTL,LRTR,LRTX
	41100-ZY9-H50ZA	CASE ASSY., GEAR(XL) *NHB14M* AQUA MARINE SILVER METALLIC	-	-	-	1	-----	XRTD,XRTL

# F-3-30

# MOUNT CASE

F11



Ref. No.	L.O.N.	(Relative ref. Number) Description	F.R.T.
1		(22)	
1	1101J4	PIPE, OIL LEVEL .....	0.4
3	1141F7	TUBE B, WATER .....	0.3
7		(4,5,9,21)	
7	1141D7	VALVE, FLASH .....	0.4
8		(6,11)	
8	1141H2	COVER, RELIEF VALVE .....	0.6
12	4101D6	CASE, MOUNT .....	4.7
		.INCLUDES: Engine removal and installation	
13	4141N0	SEAL A, COVER UNDER .....	4.3
		.INCLUDES: Engine removal and installation	
20	4101X0	WATER SEAL, MOUNT CASE .....	4.7
		.INCLUDES: Engine removal and installation	
		.NOTE: Same time for two units	

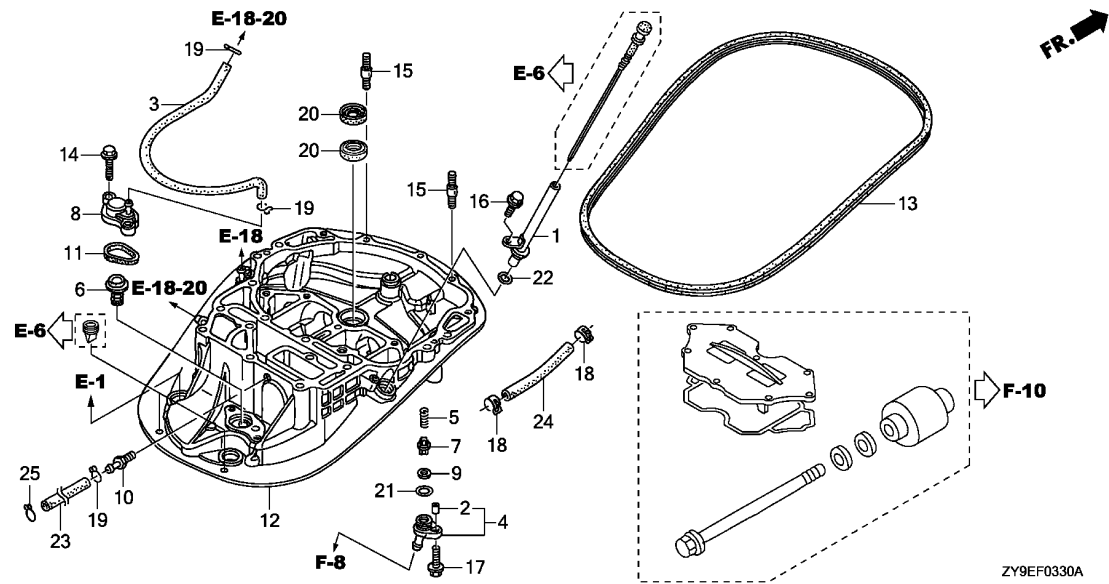
Ref. No.	Part No.	Description	Reqd. QTY				Serial No.	Parts catalogue code
			BF 75D K2	BF 90D K2	BF 75D K3	BF 90D K4		
1	15665-ZY9-000	PIPE COMP., OIL LEVEL .....	1	1	1	1		
2	17202-ZV5-310	COLLAR, DISTANCE, 6.5X11X7.5	1	1	1	1		
3	19256-ZY9-000	TUBE B, WATER .....	1	1	1	1		
4	19277-ZY9-000	COVER, FLUSH VALVE .....	1	1	1	1		
5	19279-ZW9-000	SPRING, FLUSH VALVE .....	1	1	1	1		
6	19290-ZY6-003	VALVE ASSY., RELIEF .....	1	1	1	1		
7	19291-ZW9-000	VALVE, FLASH .....	1	1	1	1		
8	19295-ZY9-000	COVER, RELIEF VALVE .....	1	1	1	1		
9	19297-ZW9-000	PACKING, FLASH VALVE .....	1	1	1	1		
10	19312-ZW4-H00	JOINT, WATER TUBE .....	1	1	1	1		
11	19317-ZW9-000	O-RING, THERMOSTAT COVER ....	1	1	1	1		
12	23170-ZY9-010ZA	CASE COMP., MOUNT						
		*NH8*.....DARK GRAY	1	1	1	1		
13	63718-ZY9-000	SEAL A, COVER UNDER .....	1	1	1	1		
14	90030-ZY3-000	BOLT, FLANGE, 6X22 .....	2	2	2	2		
15	90043-ZY3-000	BOLT, STUD, 8X28 .....	2	2	2	2		
16	90056-ZY3-000	BOLT, FLANGE, 6X12 .....	1	1	1	1		
17	90105-ZW9-000	BOLT, FLANGE, 6X20 .....	1	1	1	1		
18	90601-ZY3-030	CLAMP, TUBE(D10.5) .....	2	2	2	2		
19	90603-ZV4-000	CLIP, TUBE(B10) .....	3	3	3	3		
20	91202-ZW5-003	SEAL, WATER, 22X35X7 .....	2	2	2	2		
21	91303-800-000	O-RING, 16MM .....	1	1	1	1		
22	91309-PJ7-010	O-RING, 11.5X3.5 .....	1	1	1	1		
23	91402-ZY9-000	TUBE, WATER CHECK .....	1	1	1	1		
24	95005-70110-30	TUBE, 7X110(95005-70001-30M)	1	1	1	1		

3

# F-3-30

# MOUNT CASE

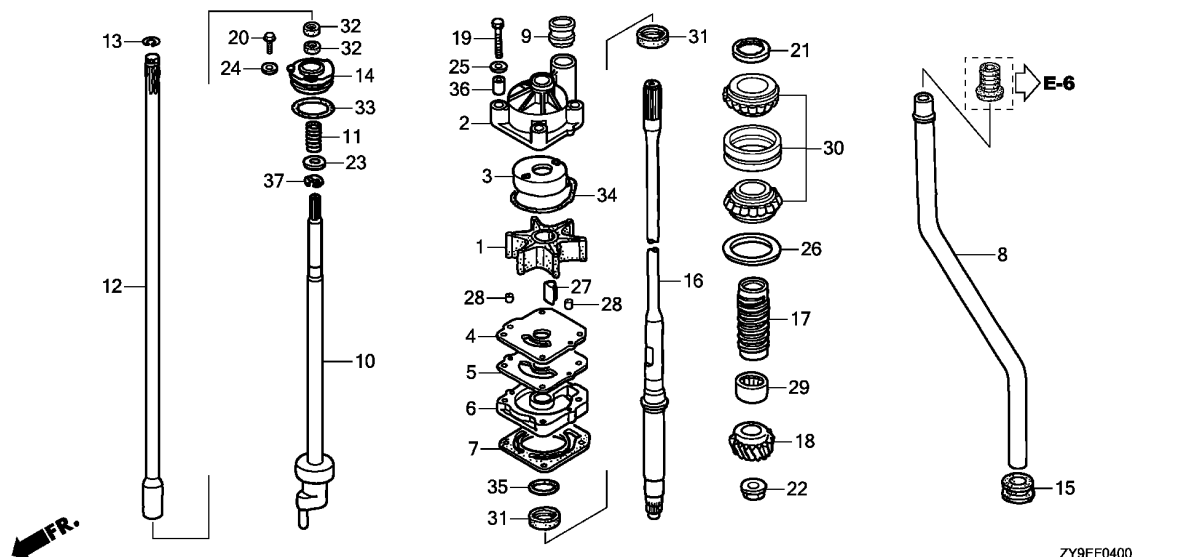
F12



Ref. No.	Part No.	Description	Reqd. QTY				Serial No.	Parts catalogue code
			BF 75D K2	BF 90D K2	BF 75D K3	BF 90D K4		

25	16163-GHB-600	CLIP, TUBE .....	1	-	-	-	1100168 -----	
			-	1	-	-	1100722 -----	
			-	-	1	1		

3

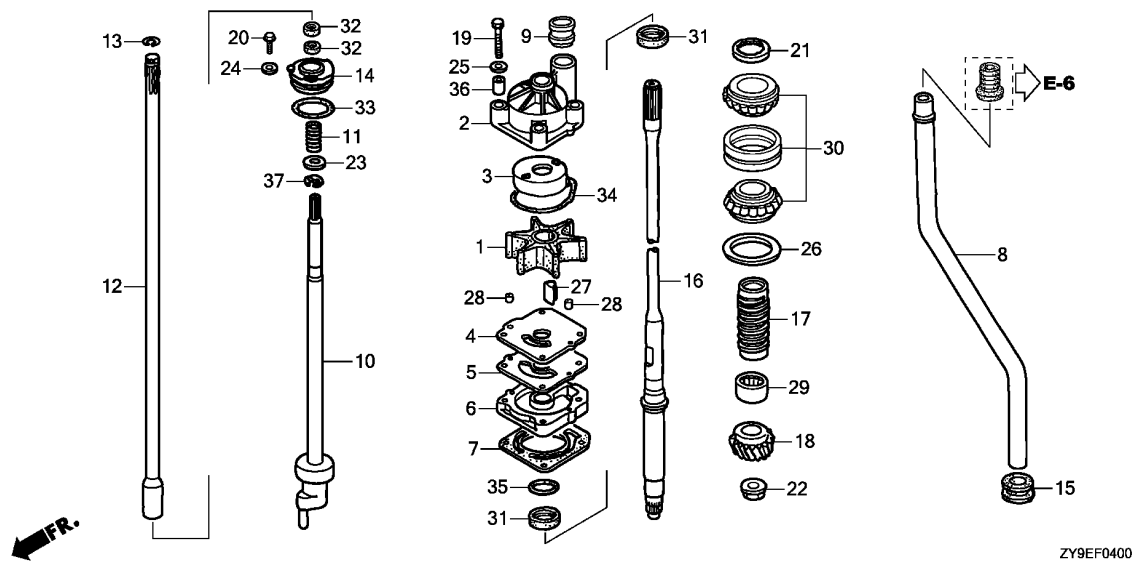


Ref. No.	L.O.N.	(Relative ref. Number) Description	F.R.T.
1	1141B9	IMPELLER, PUMP .....	0.9
2	1141B6	HOUSING, IMPELLER .....	0.9
4	1141A3	COVER, IMPELLER .....	0.9
5		(6)	
	1141F2	GASKET B, IMPELLER .....	0.9
7	1141K1	GASKET, WATER PUMP .....	0.9
8	1141D1	TUBE, WATER .....	1.9
10	2101P6	ROD, SHIFT .....	1.0
12	2101P7	ROD A, SHIFT .....	0.7
14		(11,33)	
	2101V2	HOLDER, SHIFT ROD .....	1.0
16	2191A9	SHAFT, VERTICAL .....	1.7
17	2191B5	SLINGER, OIL .....	1.7
18	2091B5	GEAR, VERTICAL SHAFT PINION ..	1.7
30	2191A1	BEARING, VERTICAL SHAFT .....	1.7
31	2191B1	WATER SEAL, VERTICAL SHAFT ...	1.0
		.NOTE: Same time for two units	
32	2101V3	WATER SEAL, SHIFT ROD .....	1.0
		.NOTE: Same time for two units	

ZY9EF0400

Ref. No.	Part No.	Description	Reqd. QTY				Serial No.	Parts catalogue code
			BF 75D K2	BF 90D K2	BF 75D K3	BF 90D K4		
1	19210-ZW1-B04	IMPELLER, PUMP .....	1	1	-	-		
	19210-ZY9-H01	.....	-	-	1	1		
2	19221-ZY6-000	HOUSING, IMPELLER .....	1	1	-	-		
	19221-ZY9-H00	.....	-	-	1	1		
3	19223-ZW1-B00	LINER, PUMP .....	1	1	-	-		
	19223-ZY9-H00	.....	-	-	1	1		
4	19231-ZY6-000	COVER, IMPELLER .....	1	1	-	-		
	19231-ZY9-H00	.....	-	-	1	1		
5	19234-ZW1-B00	GASKET B, IMPELLER .....	1	1	1	1		
6	19241-ZZ0-000	HOUSING, WATER PUMP .....	1	1	1	1		
7	19242-ZW1-B00	GASKET, WATER PUMP .....	1	1	1	1		
8	19251-ZY9-000	TUBE, WATER(L) .....	1	1	1	1	----- LHGD,LHGX,LHTD,LRTD,LRTL,LRTR,LRTU,LRTX	
	19251-ZY9-610	TUBE, WATER(XL) .....	1	1	-	1	----- XRTD,XRTL,XRTU	
9	19253-ZW1-B01	RING, WATER TUBE SEAL .....	1	1	1	1		
10	24310-ZZ0-000	ROD COMP., SHIFT(L) .....	1	1	1	1		
11	24318-ZY3-000	SPRING, SHIFT ROD .....	1	1	1	1		
12	24320-ZW1-B00	ROD A COMP., SHIFT(L) .....	1	1	1	1	----- LHGD,LHGX,LHTD,LRTD,LRTL,LRTR,LRTU,LRTX	
	24320-ZY9-610	ROD A COMP., SHIFT(XL) .....	1	1	-	1	----- XRTD,XRTL,XRTU	
13	24327-ZW1-000	RING, STOPPER .....	1	1	1	1		
14	24343-ZW1-B02	HOLDER, SHIFT ROD .....	1	1	-	-		
	24343-ZY9-H00	.....	-	-	1	1		
15	40204-ZW1-000	GROMMET, EXTENSION CASE .....	1	1	1	1		
16	41112-ZW1-B03	SHAFT, VERTICAL(L) .....	1	1	1	1	----- LHGD,LHGX,LHTD,LRTD,LRTL,LRTR,LRTU,LRTX	
	41112-ZW1-B33	SHAFT, VERTICAL(UL) .....	1	1	-	1	----- XRTD,XRTL,XRTU	
17	41116-ZW1-B00	SLINGER, OIL .....	1	1	1	1		
18	41131-ZW1-B01	GEAR, PINION(12T) .....	1	1	1	1		



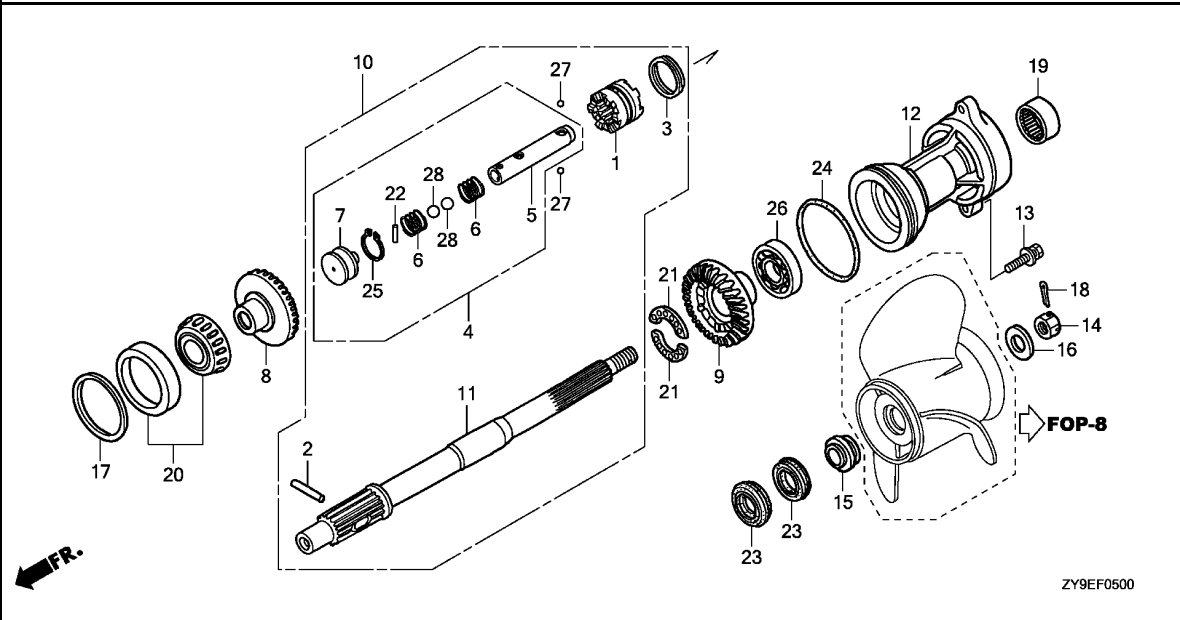


Ref. No.	Part No.	Description	Reqd. QTY				Serial No.	Parts catalogue code
			BF 75D K2	BF 90D K2	BF 75D K3	BF 90D K4		
19	90010-ZV5-000	BOLT, HEX., 8X55 .....	4	4	4	4		
20	90102-ZW9-000	BOLT, FLANGE, 6X12 .....	1	1	1	1		
21	90242-ZW1-000	NUT, LOCK, 64MM .....	1	1	1	1		
22	90303-ZW1-B03	NUT, HEX., 16MM .....	1	1	1	1		
23	90472-723-000	WASHER, PLAIN, 12MM .....	1	1	1	1		
24	90511-ZV4-000	WASHER, PLAIN, 6MM .....	1	1	1	1		
25	90514-921-000	WASHER, 8MM .....	4	4	4	4		
26	90518-ZW1-B00	SHIM A, GEAR(0.10) .....	1	1	1	1		
	90519-ZW1-B00	SHIM B, GEAR(0.15) .....	1	1	1	1		
	90520-ZW1-B00	SHIM C, GEAR(0.30) .....	1	1	1	1		
	90521-ZW1-B00	SHIM D, GEAR(0.50) .....	1	1	1	1		
27	90752-ZW1-B02	KEY, WOODRUFF .....	1	1	1	1		
28	90756-ZV5-000	DOWEL PIN, 6X10 .....	2	2	2	2		
29	91052-ZW1-B02	BEARING, NEEDLE (1-1/8X1-1/2X1-1/4)	1	1	1	1		
30	91054-ZW1-B31	BEARING, TAPER ROLLER, 30X62X40	1	1	1	1		
31	91251-ZW1-B04	SEAL, WATER, 23X36X6 .....	2	2	-	-		
	91253-ZZ3-003	.....	-	-	2	2		
32	91254-ZY3-003	SEAL, WATER, 12X21X6 .....	2	2	2	2		
33	91308-MJ0-003	O-RING .....	1	1	1	1		
34	91356-ZW1-B00	O-RING, WATER PUMP .....	1	1	1	1		
35	91359-MB0-000	O-RING, 58.5X3.5 .....	1	1	1	1		
36	91552-ZY6-000	COLLAR, DISTANCE .....	4	4	4	4		
37	94540-10019	E-RING, 10MM .....	1	1	1	1		

F-5

PROPELLER SHAFT

F15

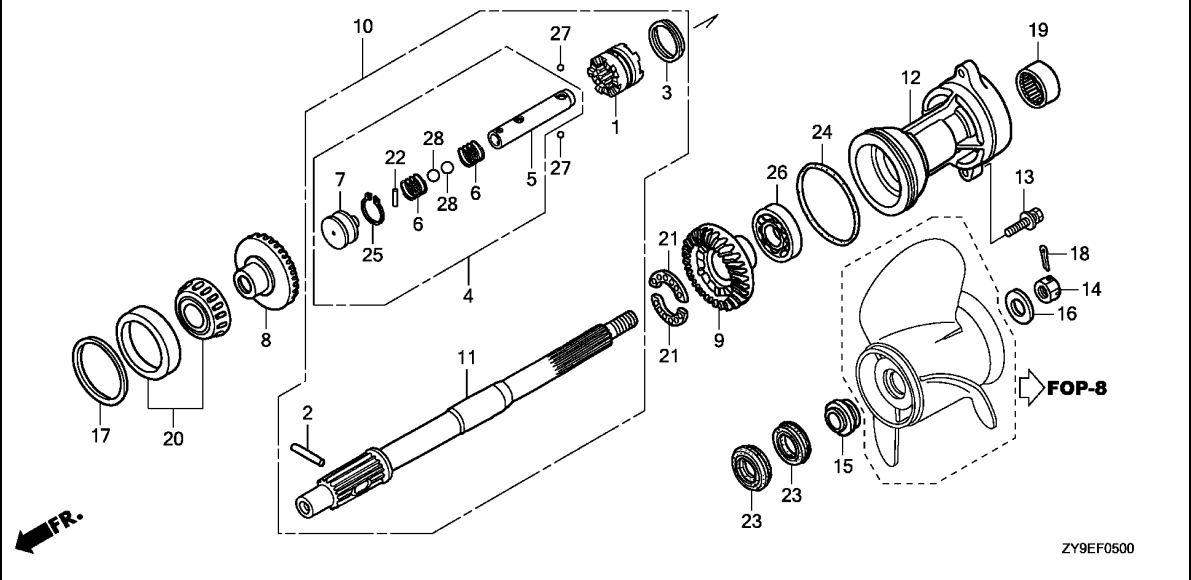


ZY9EF0500

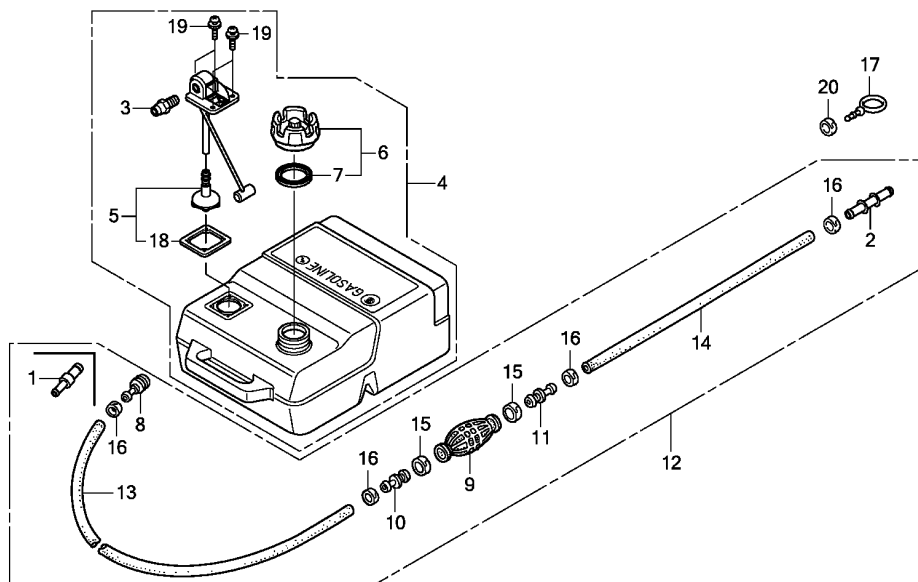
Ref. No.	L.O.N.	(Relative ref. Number) Description	F.R.T.
1	2191B3	SHIFTER, CLUTCH .....	1.3
4	2191C8	SLIDER ASSEMBLY, SHIFT .....	1.3
5		(6,22,25,28)	
	2191B0	SLIDER, SHIFT .....	1.3
7	2191B7	PLATE, SHIFT .....	1.2
8	2091A6	GEAR, PROPELLER SHAFT BEVEL :FRONT .....	1.5
9	2091A7	GEAR, PROPELLER SHAFT BEVEL :REAR .....	1.7
10		(21)	
	2131Q5	SHAFT ASSEMBLY, PROPELLER .....	1.1
11	2131K1	SHAFT, PROPELLER .....	1.5
12	2191A6	HOLDER, PROPELLER SHAFT .....	1.8
19	2131P4	BEARING, PROPELLER SHAFT NEEDLE .....	1.8
20	2191B9	BEARING, PROPELLER SHAFT TAPER .....	1.5
23	2131P3	WATER SEAL, PROPELLER SHAFT ..	1.6
		.NOTE: Same time for two units	
24	2191B6	O-RING, PROPELLER SHAFT HOLDER .....	1.1
26	2191B8	BEARING, PROPELLER SHAFT :REAR .....	1.7

Ref. No.	Part No.	Description	Reqd. QTY				Serial No.	Parts catalogue code
			BF 75D K2	BF 90D K2	BF 75D K3	BF 90D K4		
1	24101-ZZ0-010	SHIFTER, CLUTCH .....	1	1	1	1		
2	24102-ZW1-B00	PIN, SHIFTER, 8X47 .....	1	1	1	1		
3	24103-ZW1-B00	RING, CROSS PIN .....	1	1	1	1		
4	24113-ZZ0-000	SLIDER COMP., SHIFT .....	1	1	1	1		
5	24122-ZZ0-000	SLIDER, SHIFT .....	1	1	1	1		
6	24123-ZZ0-000	SPRING, SHIFT .....	2	2	2	2		
7	24124-ZZ0-000	PLATE, SHIFT .....	1	1	1	1		
8	41140-ZZ0-010	GEAR COMP., FR. BEVEL .....	1	1	1	1		
9	41151-ZZ0-000	GEAR, RR. BEVEL .....	1	1	-	-		
	41151-ZY9-H00	.....	-	-	1	1		
10	41160-ZZ0-010	SHAFT ASSY., PROPELLER .....	1	1	1	1		
11	41161-ZZ0-000	SHAFT, PROPELLER .....	1	1	1	1		
12	41201-ZW1-B02ZC	HOLDER, PROPELLER SHAFT *NHB14M*						
		AQUA MARINE SILVER METALLIC	1	1	1	1		
13	90123-ZY6-000	BOLT-WASHER, 10X40 .....	2	2	2	2		
14	90301-ZW1-B00	NUT, CASTLE, 18MM .....	1	1	1	1		
15	90506-ZW1-B00	WASHER, PROPELLER THRUST ....	1	1	1	1		
16	90508-ZW1-B00	WASHER, PLAIN, 18.5MM .....	1	1	1	1		
17	90528-ZW1-B00	SHIM A, BEVEL(FR.)(0.10) ....	1	1	1	1		
	90529-ZW1-B00	SHIM B, BEVEL(FR.)(0.15) ....	1	1	1	1		
	90530-ZW1-B00	SHIM C, BEVEL(FR.)(0.30) ....	1	1	1	1		
	90531-ZW1-B00	SHIM D, BEVEL(FR.)(0.50) ....	1	1	1	1		
18	90758-ZW1-B00	PIN, SPLIT, 4.0 .....	1	1	1	1		
19	91005-MY5-601	BEARING, NEEDLE, 30X37X26 ...	1	1	1	1		





Ref. No.	Part No.	Description	Reqd. QTY				Serial No.	Parts catalogue code
			BF 75D K2	BF 90D K2	BF 75D K3	BF 90D K4		
20	91051-ZW1-B02	BEARING, TAPERED ROLLER (50X82X21.5)	1	1	1	1		
21	91054-ZW5-003	BEARING, BALL (28X38X3) .....	2	2	2	2		
22	91101-ZW1-003	ROLLER, 3X12.8 .....	1	1	1	1		
23	91252-ZZ3-003	SEAL, WATER, 30X45X7 .....	2	2	2	2		
24	91351-ZW1-B02	O-RING, 94X4.1 .....	1	1	1	1		
25	94510-14000	CIRCLIP, EXTERNAL, 14MM .....	1	1	1	1		
26	96100-62080-00	BEARING, RADIAL BALL, 6208 ..	1	1	1	1		
27	96211-07000	BALL, STEEL, #7(7/32) .....	2	2	2	2		
28	96211-11000	BALL, STEEL, #11(11/32) .....	2	2	2	2		



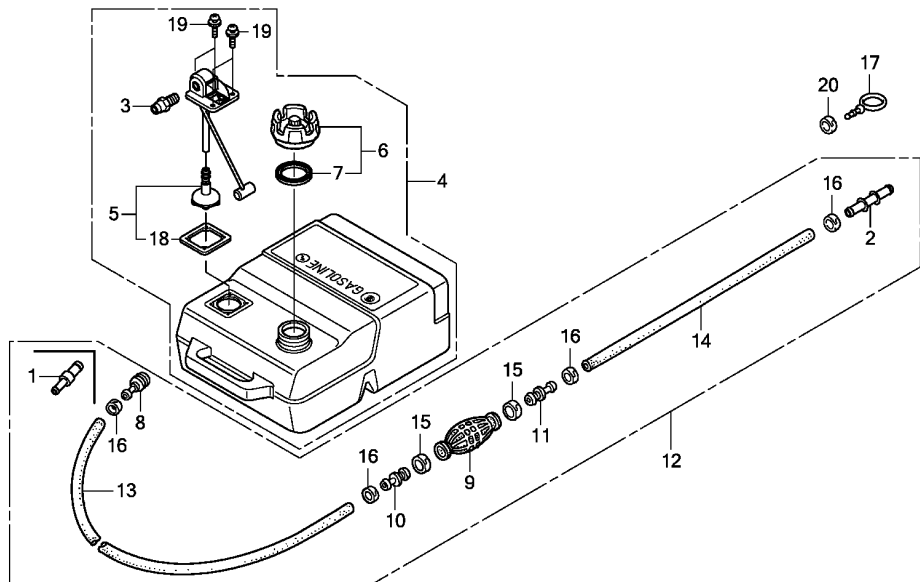
ZY9EF0600

Ref. L.O.N. (Relative ref. Number) F.R.T.  
No. Description

NO INFORMATION .....

Ref. No.	Part No.	Description	Reqd. QTY				Serial No.	Parts catalogue code
			BF 75D K2	BF 90D K2	BF 75D K3	BF 90D K4		
1	16966-MR1-000	JOINT, FUEL TUBE .....	(1)	(1)	(1)	(1)	LHGD, LHGX, LHTD, LRTD, LRTX, XRTD	
2	16966-MR5-000	JOINT, FUEL TUBE .....	1	1	1	1	LRTL, LRTR, LRTU, XRTL, XRTU	
3	16977-ZV5-A00	FITTING, QUICK DISCONNECT ...	1	1	1	1	LHGD, LHGX, LHTD, LRTD, LRTX, XRTD	
4	17500-ZV5-906	TANK ASSY., FUEL .....	(1)	(1)	-	(1)	LRTL, LRTR, LRTU, XRTL, XRTU	
	17500-ZV5-G01	TANK ASSY., FUEL(25L) (EU) ...	(1)	(1)	-	(1)	LHGD, LHGX, LHTD, LRTD, LRTX, XRTD	
5	17580-ZZ5-003	FILTER KIT, FUEL .....	(1)	(1)	-	(1)	LRTL, XRTL	
			(1)	(1)	-	(1)	LRTR, LRTU, XRTU	
6	17620-ZV4-003	CAP COMP., FUEL FILLER .....	1	1	1	1	LHGD, LHGX, LHTD, LRTD, LRTX, XRTD	
			(1)	(1)	-	(1)	LRTL, LRTR, LRTU, XRTL, XRTU	
7	17624-ZV5-902	PACKING, FUEL CAP .....	1	1	1	1	LHGD, LHGX, LHTD, LRTD, LRTX, XRTD	
			(1)	(1)	-	(1)	LRTL, LRTR, LRTU, XRTL, XRTU	
8	17660-ZW9-003	CONNECTOR COMP., FUEL .....	1	1	1	1	LHGD, LHGX, LHTD, LRTD, LRTX, XRTD	
			(1)	(1)	-	(1)	LRTL, LRTR, LRTU, XRTL, XRTU	
9	17661-921-010	BULB, PRIMER .....	1	1	1	1		
10	17665-ZV5-000	VALVE COMP., IN. (WHITE) .....	1	1	1	1	LHGD, LHGX, LHTD, LRTD, LRTX, XRTD	
	17665-ZX2-003	.....	(1)	(1)	(1)	(1)	LHGD, LHGX, LHTD, LRTD, LRTX, XRTD	
	17665-ZV5-000	(BLACK) .....	1	-	-	-	1100377 LRTL, LRTU, XRTL, XRTU	
	17665-ZX2-003	(WHITE) .....	1	-	-	-	1100378 LRTL, LRTU, XRTL, XRTU	
	17665-ZV5-000	(BLACK) .....	-	1	-	-	1101477 LRTL, LRTU, XRTL, XRTU	
	17665-ZV5-000	(WHITE) .....	-	1	-	-	1101477 LRTL, LRTU, XRTL, XRTU	



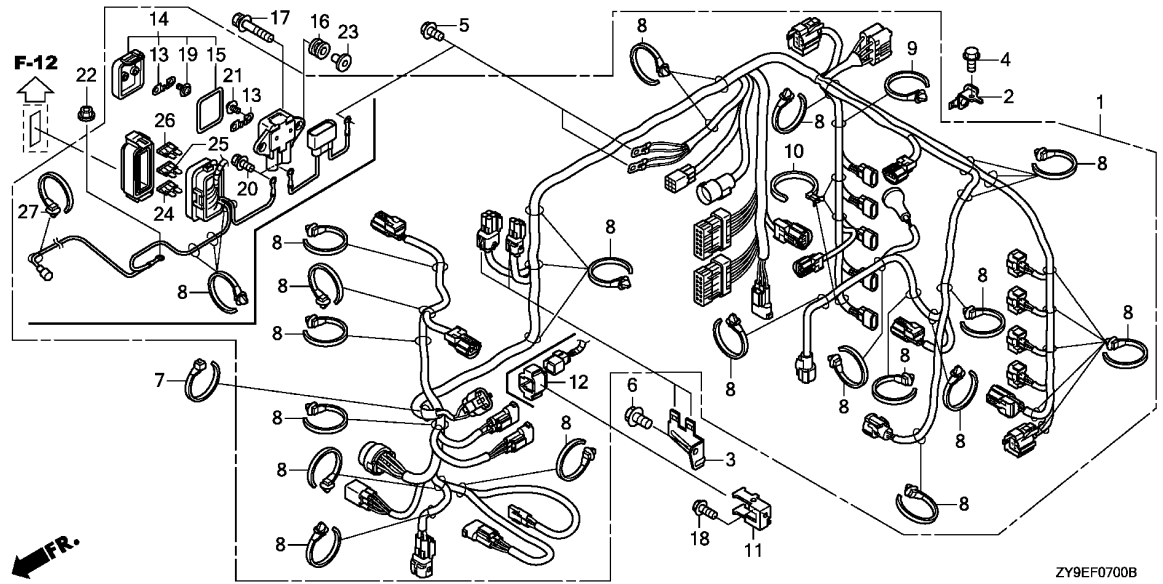


ZY9EF0600

Ref. No.	Part No.	Description	Reqd. QTY				Serial No.	Parts catalogue code
			BF 75D K2	BF 90D K2	BF 75D K3	BF 90D K4		
10)	17665-ZX2-003	VALVE COMP., IN. (BLACK)	-	1	-	-	1101478	LRTL,LRTU,XRTL,XRTU
	//	//	-	-	-	1		LRTL,LRTR,XRTL
11	17680-ZV4-000	VALVE COMP., OUTLET (WHITE)	1	1	1	1		LHGD,LHGX,LHTD,LRTD,LRTX,XRTD
	17680-ZX2-003	(BLACK)	(1)	(1)	(1)	(1)		LHGD,LHGX,LHTD,LRTD,LRTX,XRTD
	17680-ZV4-000	(WHITE)	1	-	-	-	1100377	LRTL,LRTU,XRTL,XRTU
	17680-ZX2-003	(BLACK)	1	-	-	-	1100378	LRTL,LRTU,XRTL,XRTU
	17680-ZV4-000	(WHITE)	-	1	-	-	1101477	LRTL,LRTU,XRTL,XRTU
	17680-ZX2-003	(BLACK)	-	1	-	-	1101478	LRTL,LRTU,XRTL,XRTU
	//	//	-	-	-	1		LRTL,LRTR,XRTL
12	17700-ZX2-000	TUBE ASSY., FUEL TANK (JOINT TYPE)	(1)	(1)	(1)	(1)		LHGD,LHGX,LHTD,LRTD,LRTX,XRTD
	17700-ZY9-000	TUBE ASSY., FUEL TANK (CONNECTOR TYPE)	1	1	1	1		LHGD,LHGX,LHTD,LRTD,LRTX,XRTD
	//	//	(1)	(1)	-	(1)		LRTL,LRTR,LRTU,XRTL,XRTU
	17700-ZY3-010	TUBE ASSY., FUEL (JOINT TYPE)	(1)	(1)	-	-		LHGD,LHTD,LRTD,XRTD
	//	(VALVE COMP.= WHITE)	1	-	-	-	1100377	LRTL,LRTU,XRTL,XRTU
	//	//						

Ref. No.	Part No.	Description	Reqd. QTY				Serial No.	Parts catalogue code
			BF 75D K2	BF 90D K2	BF 75D K3	BF 90D K4		
12)	17700-ZX2-000	TUBE ASSY., FUEL TANK (JOINT TYPE) (VALVE COMP.= BLACK)	1	-	-	-	1100378 -----	LRTL,LRTU,XRTL,XRTU
	17700-ZY3-010	TUBE ASSY., FUEL(JOINT TYPE) (VALVE COMP.= WHITE)	-	1	-	-	-----	1101477 LRTL,LRTU,XRTL,XRTU
	17700-ZX2-000	TUBE ASSY., FUEL TANK (JOINT TYPE) (VALVE COMP.= BLACK)	-	1	-	-	1101478 -----	LRTL,LRTU,XRTL,XRTU
			-	-	-	1	-----	LRTL,LRTR,XRTL
13	17701-ZV5-000	TUBE, FUEL LONG(7.3X2000) ...	1	1	1	1	-----	LHGD,LHGX,LHTD,LRTD,LRTX,XRTD
	95001-75500-40	TUBE, FUEL, 7.3X500 (95001-75001-60M)	(1)	(1)	(1)	(1)	-----	LHGD,LHGX,LHTD,LRTD,LRTX,XRTD
	17701-ZV5-000	TUBE, FUEL LONG(7.3X2000) ...	(1)	(1)	-	(1)	-----	LRTL,LRTR,LRTU,XRTL,XRTU
	17702-ZV4-000	TUBE, FUEL SHORT(6.3X500) ...	(1)	(1)	-	-	-----	LHGD,LHTD,LRTD,XRTU
			1	-	-	-	1100377 -----	LRTL,LRTU,XRTL,XRTU
	95001-75500-40	TUBE, FUEL, 7.3X500 (95001-75001-60M)	1	-	-	-	1100378 -----	LRTL,LRTU,XRTL,XRTU
	17702-ZV4-000	TUBE, FUEL SHORT(6.3X500) ...	-	1	-	-	1101477 -----	LRTL,LRTU,XRTL,XRTU
	95001-75500-40	TUBE, FUEL, 7.3X500 (95001-75001-60M)	-	1	-	-	1101478 -----	LRTL,LRTU,XRTL,XRTU
			-	-	-	1	-----	LRTL,LRTR,XRTL
14	17701-ZV5-000	TUBE, FUEL LONG(7.3X2000) ...	(1)	(1)	(1)	(1)	-----	LHGD,LHGX,LHTD,LRTD,LRTX,XRTD
	17702-ZV4-000	TUBE, FUEL SHORT(6.3X500) ...	1	1	1	1	-----	LHGD,LHGX,LHTD,LRTD,LRTX,XRTD
	17701-ZV5-000	TUBE, FUEL LONG(7.3X2000) ...	1	1	-	1	-----	LRTL,LRTR,LRTU,XRTL,XRTU
	17702-ZV4-000	TUBE, FUEL SHORT(6.3X500) ...	(1)	(1)	-	(1)	-----	LRTL,LRTR,LRTU,XRTL,XRTU
15	17703-921-010	BAND, TUBE CLIP, 20MM .....	2	2	2	2		
16	17704-ZV4-010	BAND, TUBE CLIP, 12.5MM .....	4	4	4	4		
17	17738-ZY3-000	PLUG, FUEL TUBE .....	1	1	1	1		
18	17742-ZZ5-003	PACKING, FUEL PICK UP .....	1	1	1	1	-----	LHGD,LHGX,LHTD,LRTD,LRTX,XRTD
			(1)	(1)	-	(1)	-----	LRTL,LRTR,LRTU,XRTL,XRTU
19	17743-ZZ5-003	BOLT-WASHER, 5MM(SEAL) .....	4	4	4	4	-----	LHGD,LHGX,LHTD,LRTD,LRTX,XRTD
			(4)	(4)	-	(4)	-----	LRTL,LRTR,LRTU,XRTL,XRTU
20	17704-ZV4-010	BAND, TUBE CLIP, 12.5MM .....	1	1	1	1		

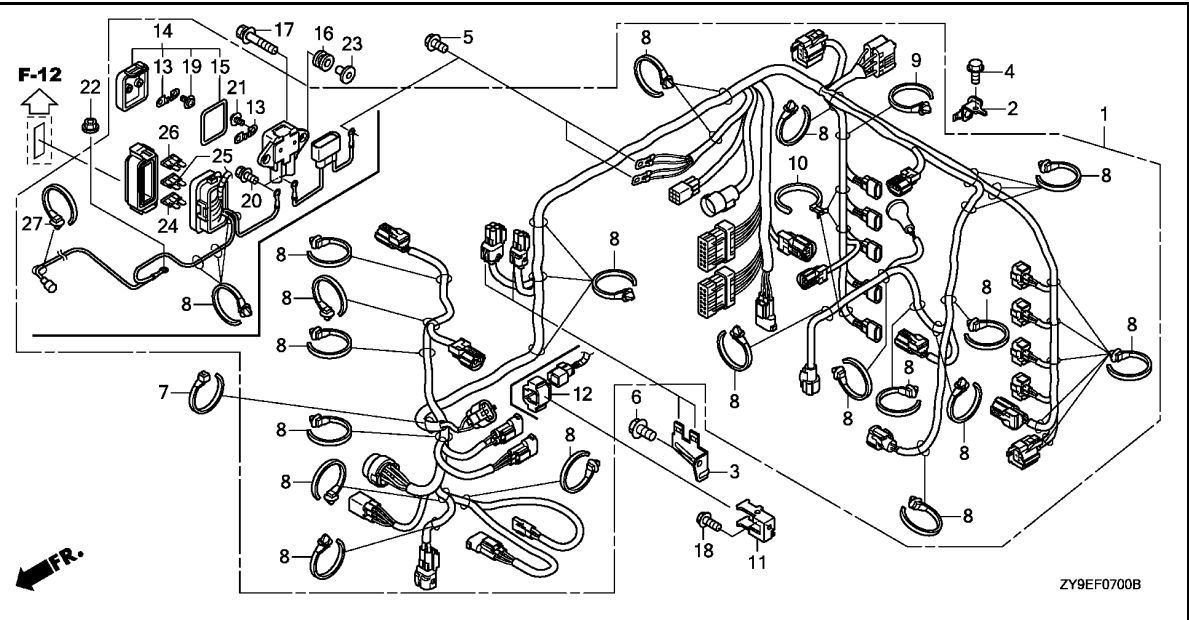




Ref. No.	L.O.N.	(Relative ref. Number) Description	F.R.T.
1	6111C3	HARNESS, MAIN WIRE	2.3

3

Ref. No.	Part No.	Description	Reqd. QTY				Serial No.	Parts catalogue code
			BF 75D K2	BF 90D K2	BF 75D K3	BF 90D K4		
1	32100-ZY9-A40	HARNESS ASSY., MAIN WIRE	1	-	-	-	LHGD	
	32100-ZY9-A00	.....	1	-	-	-	LHTD	
	32100-ZY9-000	.....	1	-	-	-	LRTD,LRTL,LRTU,XRTL,XRTU	
	32100-ZZ0-A40	.....	-	1	-	-	LHGD	
	32100-ZZ0-A00	.....	-	1	-	-	LHTD	
	32100-ZZ0-000	.....	-	1	-	-	LRTD,LRTL,LRTU,XRTD,XRTL,XRTU	
	32100-ZY9-H30	.....	-	-	1	-	LHGX	
	32100-ZY9-H00	.....	-	-	1	-	LRTX	
	32100-ZZ0-H30	.....	-	-	-	1	LHGX	
	32100-ZZ0-L40	.....	-	-	-	1	LHTD	
	32100-ZZ0-H00	.....	-	-	-	1	LRTD,LRTL,LRTR,XRTD,XRTL	
2	32101-ZY9-000	BRACKET A, COUPLER	1	1	1	1		
3	32103-ZY9-000	BRACKET C, COUPLER	1	1	1	1		
4	90011-ZW9-000	BOLT, FLANGE, 6X14(CT200)	1	1	1	1		
5	90013-ZW9-000	BOLT, FLANGE, 6X12	2	2	3	3		
6	90014-ZW9-000	BOLT, FLANGE, 6X10	1	1	1	1		
7	90652-ZY9-003	BAND, WIRE HARNESS	1	1	1	1		
8	91541-S0A-003	CLIP, HARNESS BAND(BLACK) (145MM)	27	27	30	30		
9	91551-SW5-003	CLIP, HARNESS BAND(BROWN) (151MM)	1	1	1	1		
10	91558-SJ6-003	STRAP, HARNESS(30)(BLACK) (107.5MM)	3	3	3	3		
11	32104-ZY9-H00	BRACKET, COUPLER	-	-	1	1		
12	32127-ZZ3-000	SUSPENSION, COUPLER	-	-	1	1		
13	38201-ZY9-003	FUSE(70A)	-	-	2	2		
14	38216-ZY9-003	COVER ASSY., FUSE(70A)	-	-	1	1		

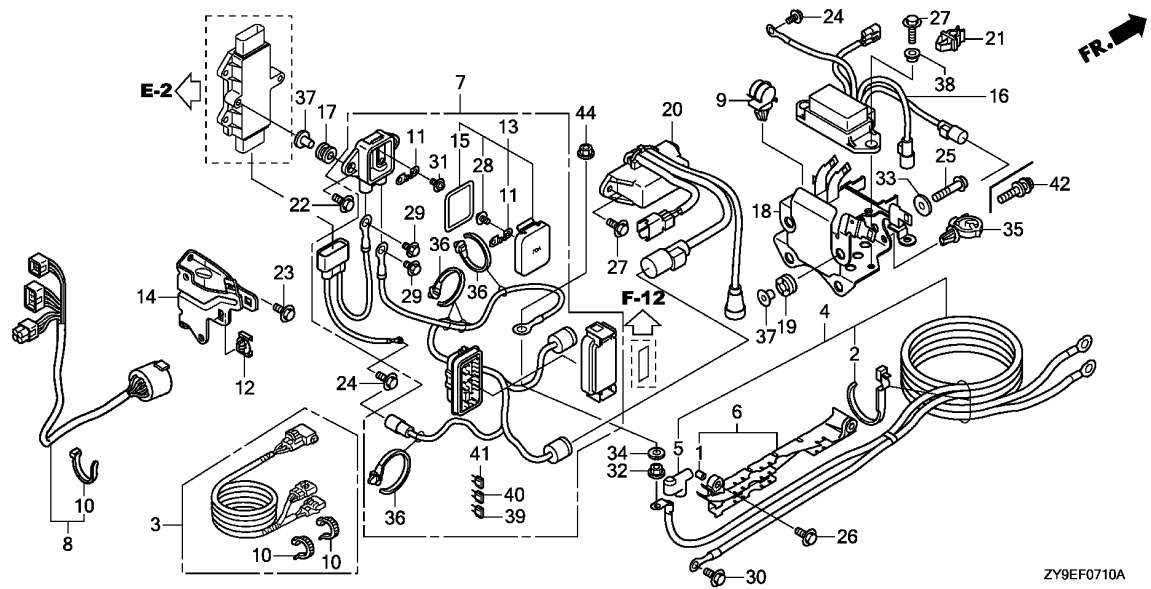


Ref. No.	Part No.	Description	Reqd. QTY				Serial No.	Parts catalogue code
			BF 75D K2	BF 90D K2	BF 75D K3	BF 90D K4		
15	38233-ZY9-000	PACKING, FUSE BOX COVER .....	-	-	1	1		
16	38551-ZW1-000	GROMMET, RELAY .....	-	-	2	2		
17	90003-ZW2-000	BOLT-WASHER, 6X27(CT200) .....	-	-	2	2		
18	90011-ZW9-000	BOLT, FLANGE, 6X14(CT200) ....	-	-	1	1		
19	90105-ZW5-003	SCREW-WASHER, 3X7 .....	-	-	2	2		
20	90106-ZW5-000	BOLT-WASHER, 5X9 .....	-	-	2	2		
21	90153-SB2-003	SCREW-WASHER, 5X10 .....	-	-	2	2		
22	90203-ZW1-000	NUT-WASHER, 8MM .....	-	-	1	1		
23	91553-ZV5-010	COLLAR, C.D.I. UNIT CASE .....	-	-	2	2		
24	98200-41000	FUSE, MINI(10A) .....	-	-	4	4		
25	98200-41500	FUSE, MINI(15A) .....	-	-	3	3		
26	98200-43000	FUSE, MINI(30A) .....	-	-	2	2		
27	91541-S0A-003	CLIP, HARNESS BAND(BLACK) (145MM)	-	-	1	1	----- LHTD,LRTD,LRTL,LRTR,LRTX,XRTD,XRTL	

F-7-10

STARTER CABLE

G 6



Ref. No.	L.O.N.	(Relative ref. Number) Description	F.R.T.
4	610115	CABLE, BATTERY STARTER .....	0.6
7	6131C9	CABLE, ALTERNATOR FUSE .....	1.4
16	616149	RELAY, POWER TILT .....	1.3
20	621101	RELAY, MAIN .....	0.4

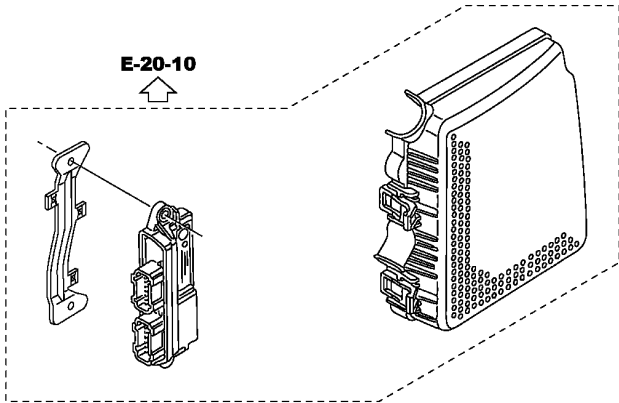
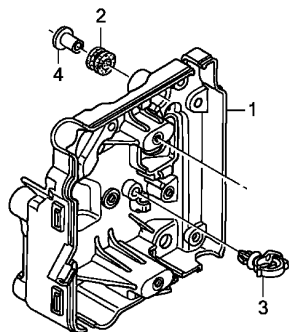
ZY9EF0710A

3

Ref. No.	Part No.	Description	Reqd. QTY				Serial No.	Parts catalogue code
			BF 75D K2	BF 90D K2	BF 75D K3	BF 90D K4		
1	17202-ZV5-310	COLLAR, DISTANCE, 6.5X11X7.5	2	2	2	2		
2	32121-HA0-003	BAND, CORD .....	1	1	1	1		
3	32185-ZZ5-600	CORD ASSY., INDICATOR(20FT) -	1	1	1	1	-----	LRTD,LRTX,XRTD
4	32410-ZY9-000	CABLE ASSY., STARTER .....	1	1	1	1		
5	32411-ZY3-003	COVER, STARTER TERMINAL .....	1	1	1	1		
6	32418-ZY9-000	HOLDER COMP., STARTER CABLE -	1	1	1	1		
7	32435-ZY9-A40	CABLE ASSY., A.C. GENERATOR FUSE	1	1	-	-	-----	LHGD
	32435-ZY9-000	.....	1	1	-	-	-----	LHTD,LRTD,LRTL,LRTU,XRTD,XRTL,XRTU
8	32580-ZZ5-600	CABLE ASSY., SWITCH PANEL (20FT)	1	1	1	1	-----	LRTD,LRTX,XRTD
9	32660-MJ6-710	CLAMPER, CORD .....	1	1	1	1		
10	32901-952-770	TIE, CABLE(NATURAL)(2.4X92) -	6	6	6	6	-----	LRTD,LRTX,XRTD
11	38201-ZY9-003	FUSE(70A) .....	2	2	-	-		
12	38216-ZY3-003	CLIP, COUPLER HOLDER(B) .....	1	1	1	1		
13	38216-ZY9-003	COVER ASSY., FUSE(70A) .....	1	1	-	-		
14	38217-ZY9-000	BRACKET, FUSE BOX .....	1	1	1	1		
15	38233-ZY9-000	PACKING, FUSE BOX COVER .....	1	1	-	-		
16	38550-ZY9-003	RELAY ASSY., POWER TILT .....	1	1	1	1	-----	LHTD,LRTD,LRTL,LRTL,LRTU,LRTX,XRTD,XRTL,XRTU
17	38551-ZW1-000	GROMMET, RELAY .....	2	2	-	-		
18	38552-ZY9-000	BRACKET, RELAY .....	1	1	1	1		
19	38553-ZY9-003	GROMMET, RELAY BRACKET .....	4	4	4	4		
20	38580-ZY9-003	RELAY ASSY., MAIN .....	1	1	1	1		
21	50304-HE0-003	CLIP C, BRAKE PIPE .....	1	1	-	-		
	91531-SZ5-003	CLIP, TUBE, 3.5 .....	-	-	1	1		

Ref. No.	Part No.	Description	Reqd. QTY				Serial No.	Parts catalogue code
			BF 75D K2	BF 90D K2	BF 75D K3	BF 90D K4		
22	90003-ZW2-000	BOLT-WASHER, 6X27(CT200) ....	2	2	-	-		
23	90011-ZW9-000	BOLT, FLANGE, 6X14(CT200) ...	2	2	2	2		
24	90013-ZW9-000	BOLT, FLANGE, 6X12 .....	2	2	-	-	LHTD,LRTD,LRTL,LRTU,XRTD,XRTL,XRTU	
			1	1	-	-	LHGD	
			-	-	1	1	LHTD,LRTD,LRTL,LRTR,LRTX,XRTD,XRTL	
25	90015-ZV0-C10	BOLT, FLANGE, 6X28(CT200) ...	4	4	-	-		
26	90018-ZW5-000	BOLT, FLANGE, 6X20 .....	2	2	2	2		
27	90021-ZY3-000	BOLT, FLANGE, 6X14 .....	4	4	-	-	LHTD,LRTD,LRTL,LRTU,XRTD,XRTL,XRTU	
			2	2	-	-	LHGD	
			-	-	4	4	LHTD,LRTD,LRTL,LRTR,LRTX,XRTD,XRTL	
			-	-	2	2	LHGX	
28	90105-ZW5-003	SCREW-WASHER, 3X7 .....	2	2	-	-		
29	90106-ZW5-000	BOLT-WASHER, 5X9 .....	2	2	-	-		
30	90107-ZY3-000	BOLT, FLANGE, 8X18 .....	1	1	1	1		
31	90153-SB2-003	SCREW-WASHER, 5X10 .....	2	2	-	-		
32	90203-ZW1-000	NUT-WASHER, 8MM .....	1	1	1	1		
33	90404-ZY3-000	WASHER, PLAIN, 22X6X1.6 .....	4	4	-	-		
34	90405-ZY3-000	WASHER, PLAIN, 8MM .....	1	1	1	1		
35	90683-SA0-003	CLIP, WIRE HARNESS, 25MM ....	1	1	1	1		
36	91541-S0A-003	CLIP, HARNESS BAND(BLACK) (145MM)	4	4	-	-		
37	91553-ZV5-010	COLLAR, C.D.I. UNIT CASE ....	6	6	4	4		
38	91555-ZY9-000	COLLAR, P.T.T. RELAY .....	2	2	2	2	LHTD,LRTD,LRTL,LRTR,LRTU,LRTX,XRTD,XRTL,XRTU	
39	98200-41000	FUSE, MINI(10A) .....	4	4	-	-		
40	98200-41500	FUSE, MINI(15A) .....	3	3	-	-		
41	98200-43000	FUSE, MINI(30A) .....	2	2	-	-		
42	90003-ZW2-000	BOLT-WASHER, 6X27(CT200) ....	-	-	4	4		
44	90203-ZW1-000	NUT-WASHER, 8MM .....	1	1	-	-		





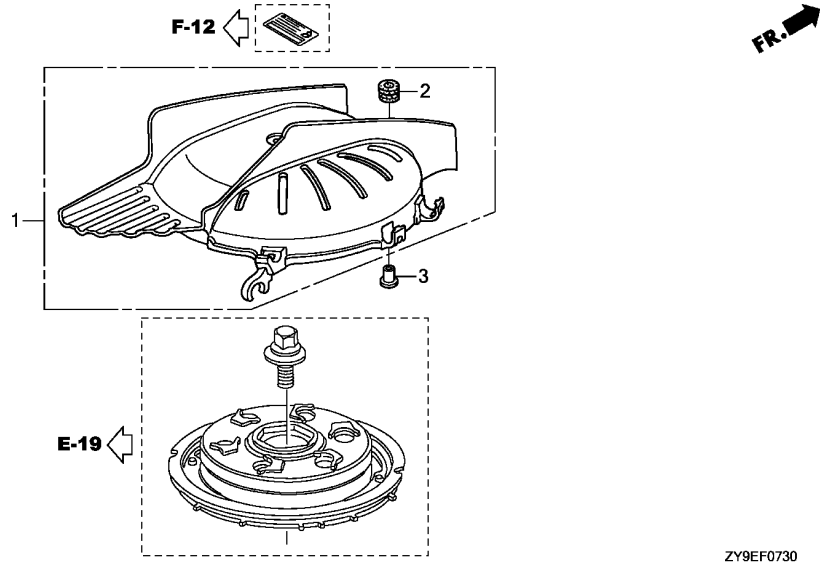
ZY9EF0720A

FR. →

Ref. No.	L.O.N. (Relative ref. Number)	Description	F.R.T.
1	6221H3	CASE, ELECTRONIC PARTS .....	0.4

3

Ref. No.	Part No.	Description	Reqd. QTY				Serial No.	Parts catalogue code
			BF 75D K2	BF 90D K2	BF 75D K3	BF 90D K4		
1	30416-ZY9-000	CASE, ELECTRONIC PARTS .....	1	1	-	-		
	30416-ZY9-H00	.....	-	-	1	1		
2	30419-ZY9-003	GROMMET, ELECTRONIC PARTS CASE	4	4	4	4		
3	90681-763-A01	CLIP, WIRE HARNESS .....	1	1	1	1		
4	91553-ZV5-010	COLLAR, C.D.I. UNIT CASE .....	4	4	4	4		

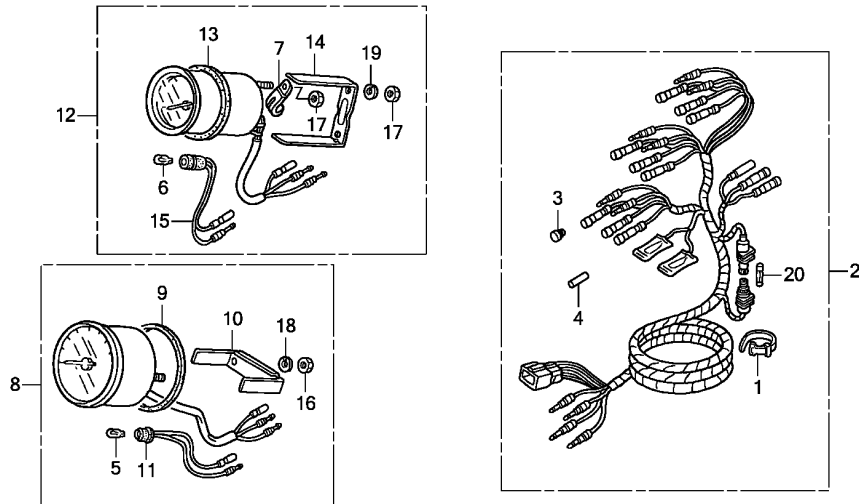


ZY9EF0730

Ref. No.	L.O.N. (Relative ref. Number)	Description	F.R.T.
----------	-------------------------------	-------------	--------

1	1111Z8	COVER, ALTERNATOR .....	0.1
---	--------	-------------------------	-----

Ref. No.	Part No.	Description	Reqd. QTY				Serial No.	Parts catalogue code
			BF 75D K2	BF 90D K2	BF 75D K3	BF 90D K4		
1	31145-ZY9-000	COVER ASSY., A.C. GENERATOR -	1	1	1	1		
2	40102-ZV5-000	GROMMET, UNDER CASE .....	1	1	1	1		
3	91553-ZV5-010	COLLAR, C.D.I. UNIT CASE ....	1	1	1	1		



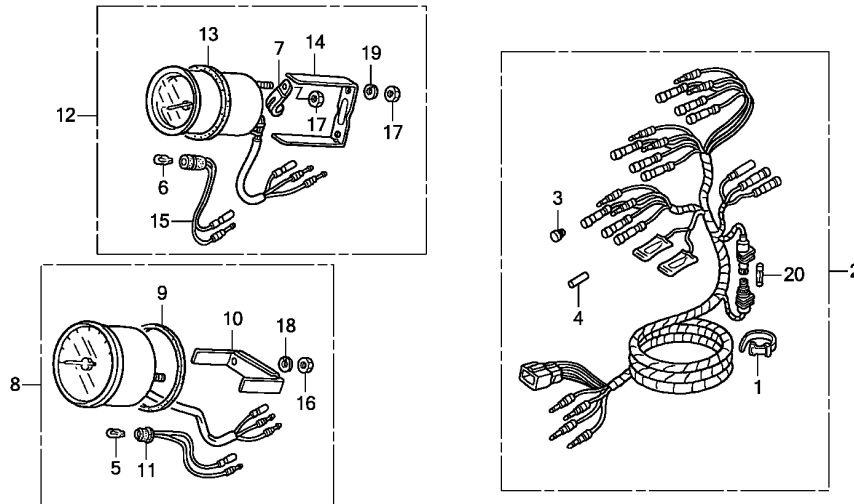
ZY9EF0740

Ref. L.O.N. (Relative ref. Number) F.R.T.  
No. Description

NO INFORMATION .....

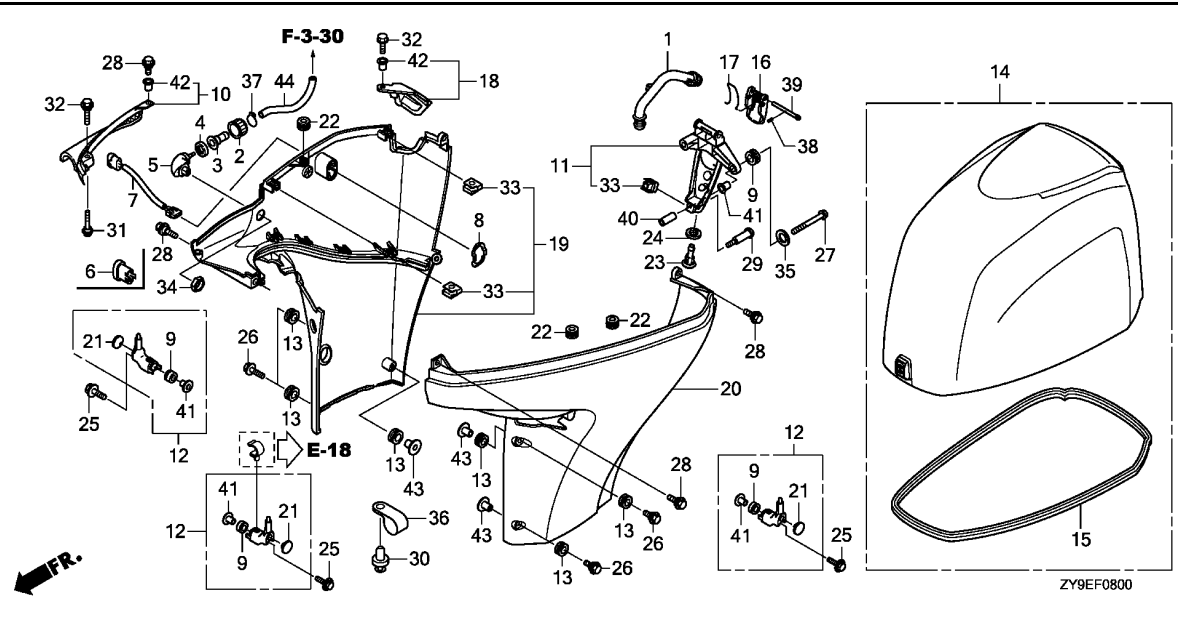
3

Ref. No.	Part No.	Description	Reqd. QTY				Serial No.	Parts catalogue code
			BF 75D K2	BF 90D K2	BF 75D K3	BF 90D K4		
1	32161-404-000	BAND B1, WIRE .....	(1)	(1)	(1)	(1)	-----	LHGD,LHGX,LHTD,LRTL,LRTR,LRTU,XRTL,XRTU LRTD,LRTX,XRTD
2	32540-ZZ3-000	HARNESS ASSY., METER(A) .....	(1)	(1)	(1)	(1)	-----	LHGD,LHGX,LHTD,LRTL,LRTR,LRTU,XRTL,XRTU LRTD,LRTX,XRTD
3	32823-ZV5-003	PLUG, INNER CONNECTOR .....	(8)	(8)	(8)	(8)	-----	LHGD,LHGX,LHTD,LRTL,LRTR,LRTU,XRTL,XRTU LRTD,LRTX,XRTD
4	32824-ZV5-003	PLUG, OUTER CONNECTOR .....	(5)	(5)	(5)	(5)	-----	LHGD,LHGX,LHTD,LRTL,LRTR,LRTU,XRTL,XRTU LRTD,LRTX,XRTD
5	34908-MB9-871	BULB, WEDGE BASE(T10) (12V 1.7W) (STANLEY)	(1)	(1)	(1)	(1)	-----	LHGD,LHGX,LHTD,LRTL,LRTR,LRTU,XRTL,XRTU LRTD,LRTX,XRTD
6	34908-MG9-951	BULB, WEDGE BASE(12V 1.7W) ..	(1)	(1)	(1)	(1)	-----	LHGD,LHGX,LHTD,LRTL,LRTR,LRTU,XRTL,XRTU LRTD,LRTX,XRTD
7	37215-KM1-670	CLAMP .....	(1)	(1)	(1)	(1)	-----	LHGD,LHGX,LHTD,LRTL,LRTR,LRTU,XRTL,XRTU LRTD,LRTX,XRTD
8	37250-ZV7-913	TACHOMETER ASSY. ....	(1)	(1)	(1)	(1)	-----	LHGD,LHGX,LHTD,LRTL,LRTR,LRTU,XRTL,XRTU LRTD,LRTX,XRTD
9	37253-ZV5-821	PACKING .....	(1)	(1)	(1)	(1)	-----	LHGD,LHGX,LHTD,LRTL,LRTR,LRTU,XRTL,XRTU LRTD,LRTX,XRTD
10	37256-ZV5-821	BRACKET .....	(1)	(1)	(1)	(1)	-----	LHGD,LHGX,LHTD,LRTL,LRTR,LRTU,XRTL,XRTU LRTD,LRTX,XRTD
11	37258-ZV5-821	SOCKET COMP. ....	(1)	(1)	(1)	(1)	-----	LHGD,LHGX,LHTD,LRTL,LRTR,LRTU,XRTL,XRTU LRTD,LRTX,XRTD
12	37260-ZV5-822	METER ASSY., TRIM .....	(1)	(1)	(1)	(1)	-----	LHGD,LHGX,LHTD,LRTL,LRTR,LRTU,XRTL,XRTU LRTD,LRTX,XRTD
13	37263-ZV5-821	PACKING .....	(1)	(1)	(1)	(1)	-----	LHGD,LHGX,LHTD,LRTL,LRTR,LRTU,XRTL,XRTU LRTD,LRTX,XRTD



ZY9EF0740

Ref. No.	Part No.	Description	Reqd. QTY				Serial No.	Parts catalogue code
			BF 75D K2	BF 90D K2	BF 75D K3	BF 90D K4		
14	37266-ZV5-821	BRACKET .....	(1)	(1)	(1)	(1)	-----	LHGD, LHGX, LHTD, LRTL, LRTR, LRTU, XRTL, XRTU
15	37268-ZV5-821	SOCKET COMP. ....	(1)	(1)	(1)	(1)	-----	LRTD, LRTX, XRTD
			1	1	1	1	-----	LHGD, LHGX, LHTD, LRTL, LRTR, LRTU, XRTL, XRTU
			1	1	1	1	-----	LRTD, LRTX, XRTD
16	90309-ZV5-821	NUT, HEX., 5MM .....	(2)	(2)	(2)	(2)	-----	LHGD, LHGX, LHTD, LRTL, LRTR, LRTU, XRTL, XRTU
			2	2	2	2	-----	LRTD, LRTX, XRTD
17	90310-ZV5-821	NUT, HEX., 4MM .....	(3)	(3)	(3)	(3)	-----	LHGD, LHGX, LHTD, LRTL, LRTR, LRTU, XRTL, XRTU
			3	3	3	3	-----	LRTD, LRTX, XRTD
18	90550-ZV5-821	WASHER, SPRING, 5MM .....	(2)	(2)	(2)	(2)	-----	LHGD, LHGX, LHTD, LRTL, LRTR, LRTU, XRTL, XRTU
			2	2	2	2	-----	LRTD, LRTX, XRTD
19	90560-ZV5-821	WASHER, SPRING, 4MM .....	(2)	(2)	(2)	(2)	-----	LHGD, LHGX, LHTD, LRTL, LRTR, LRTU, XRTL, XRTU
			2	2	2	2	-----	LRTD, LRTX, XRTD
20	98200-11000	FUSE A(10A) .....	(1)	(1)	(1)	(1)	-----	LHGD, LHGX, LHTD, LRTL, LRTR, LRTU, XRTL, XRTU
			1	1	1	1	-----	LRTD, LRTX, XRTD



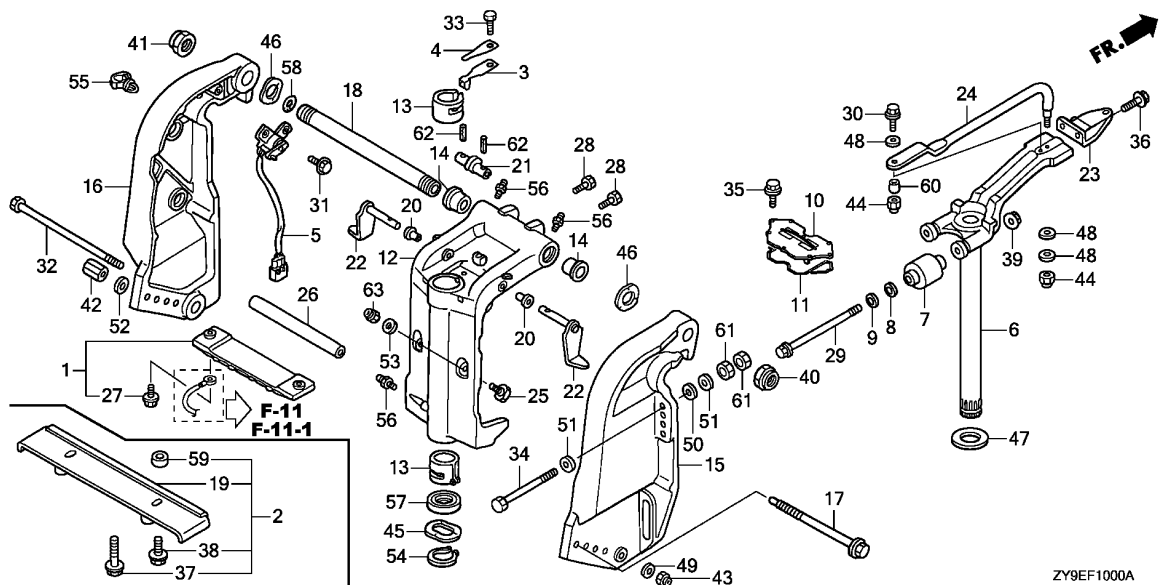
Ref. No.	L.O.N.	(Relative ref. Number) Description	F.R.T.
1	3131H4	PORT, IDLE EXHAUST .....	0.6
7	6151C9	SWITCH, POWER TRIM-TILT .....	0.4
10	4131N0	COVER, SEPARATE :FRONT .....	0.1
14	4141B4	COVER, ENGINE .....	0.1
	4141B4A	.Applying Labels add .....	0.1
15	4131H7	SEAL, ENGINE COVER .....	0.5
19	4131C6	COVER, UNDER ENGINE :RIGHT ...	0.4
20	4131C5	COVER, UNDER ENGINE :LEFT ....	0.3

3

Ref. No.	Part No.	Description	Reqd. QTY				Serial No.	Parts catalogue code
			BF 75D K2	BF 90D K2	BF 75D K3	BF 90D K4		
1	18211-ZY9-000	PORT, IDLE EXHAUST .....	1	1	1	1		
2	19270-ZY3-000	NUT, WATER MOUTH .....	1	1	1	1		
3	19271-ZY3-000	JOINT, WATER HOSE .....	1	1	1	1		
4	19272-ZY3-000	SEAT, WATER MOUTH .....	1	1	1	1		
5	19289-ZY6-000	CAP, WATER JOINT .....	1	1	1	1		
6	24819-ZV5-000	COVER, GRIP .....	1	1	1	1	----- LHGD,LHGX	
7	35640-ZY9-003	SWITCH ASSY., POWER TILT .....	1	1	1	1	----- LHTD,LRTD,LRTL,LRTR,LRTU,LRTX,XRTD,XRTL,XRTU	
8	35645-ZY9-000	STAY, POWER TILT SWITCH .....	1	1	1	1	----- LHTD,LRTD,LRTL,LRTR,LRTU,LRTX,XRTD,XRTL,XRTU	
9	40102-ZV5-000	GROMMET, UNDER CASE .....	5	5	5	5		
10	40151-ZY9-000ZB	COVER, SEPARATE FRONT						
	*NHB14M*							
	AQUA MARINE SILVER METALLIC		1	1	1	1		
11	40155-ZY9-010	BRACKET, UNDER COVER .....	1	1	1	1		
12	40165-ZY9-010	STOPPER ASSY., ENGINE SIDE ..	3	3	3	3		
13	61102-MB6-631	RUBBER, FENDER MOUNTING .....	6	6	6	6		
14	63100-ZY9-A41ZB	COVER ASSY., ENGINE						
	*NHB14M*							
	AQUA MARINE SILVER METALLIC		1	1	1	1	----- LHGD,LHGX	
	63100-ZY9-020ZB	*NHB14M*						
	AQUA MARINE SILVER METALLIC		1	1	1	1	----- LHTD,LRTD,LRTL,LRTR,LRTU,LRTX,XRTD,XRTL,XRTU	
15	63102-ZY9-000	SEAL, ENGINE COVER .....	1	1	1	1		
16	63232-ZY9-010	LEVER, FASTENER .....	1	1	1	1		
17	63237-ZY9-000	WIRE, FASTENER .....	1	1	1	1		
18	63347-ZY9-010ZB	COVER, PLUG MAINTENANCE						
	*NHB14M*							
	AQUA MARINE SILVER METALLIC		1	1	1	1		

Ref. No.	Part No.	Description	Reqd. QTY				Serial No.	Parts catalogue code
			BF 75D K2	BF 90D K2	BF 75D K3	BF 90D K4		
19	63711-ZY9-010ZB	COVER COMP., R. ENGINE UNDER *NHB14M* AQUA MARINE SILVER METALLIC	1	1	1	1		
20	63716-ZY9-010ZB	COVER COMP., L. ENGINE UNDER *NHB14M* AQUA MARINE SILVER METALLIC	1	1	1	1		
21	77212-965-000	RUBBER, SEAT SIDE .....	3	3	3	3		
22	80103-GJ5-000	GROMMET, ENGINE COVER .....	3	3	3	3		
23	82873-ZY9-000	GROMMET, WATER CHECK .....	1	1	1	1		
24	82874-ZY9-000	SEAL, WATER CHECK GROMMET ...	1	1	1	1		
25	90003-ZW2-000	BOLT-WASHER, 6X27(CT200) ....	3	3	3	3		
26	90103-ZY9-000	BOLT-WASHER, 6X22 .....	6	6	6	6		
27	90106-ZY9-000	BOLT, FLANGE, 6X55 .....	2	2	2	2		
28	90111-ZY3-000	BOLT, SPECIAL, 6X17 .....	6	6	6	6		
29	90113-ZY9-003	BOLT, RR. BRACKET .....	1	1	1	1		
30	90127-ZV5-003	SCREW, RIVET, 5X10 .....	1	1	1	1	----- LHTD,LRTD,LRTL,LRTR,LRTU,LRTX,XRTD,XRTL,XRTU	
31	90132-ZY3-000	BOLT, SPECIAL, 6X37 .....	1	1	1	1		
32	90168-ZW4-000	BOLT, FLANGE,(SH)6X20 .....	2	2	2	2		
33	90301-ZY6-000	NUT, CLIP .....	3	3	3	3		
34	90302-921-000	NUT, HEX., 16MM .....	1	1	1	1		
35	90508-ZY3-000	WASHER, PLAIN, 6MM .....	2	2	2	2		
36	90602-SB0-003	CLIP, 10.7MM .....	1	1	1	1	----- LHTD,LRTD,LRTL,LRTR,LRTU,LRTX,XRTD,XRTL,XRTU	
37	90651-ZY6-000	CLIP B1, TUBE .....	1	1	1	1		
38	90751-ZY9-000	PIN, SPRING, 2.0X12 .....	1	1	1	1		
39	90755-ZY9-000	PIN, 5X59 .....	1	1	1	1		
40	91552-ZY9-000	COLLAR, DISTANCE(6.5X11X27) -	2	2	2	2		
41	91553-ZV5-010	COLLAR, C.D.I. UNIT CASE ....	5	5	5	5		
42	91553-ZY6-000	COLLAR, DISTANCE, 6.5X9X5 ...	2	2	2	2		
43	91554-ZY9-000	COLLAR, DISTANCE, 6.2X7.5 ...	6	6	6	6		
44	95001-80300-40	TUBE, FUEL, 8X300 (95001-80001-60M)	1	1	1	1		





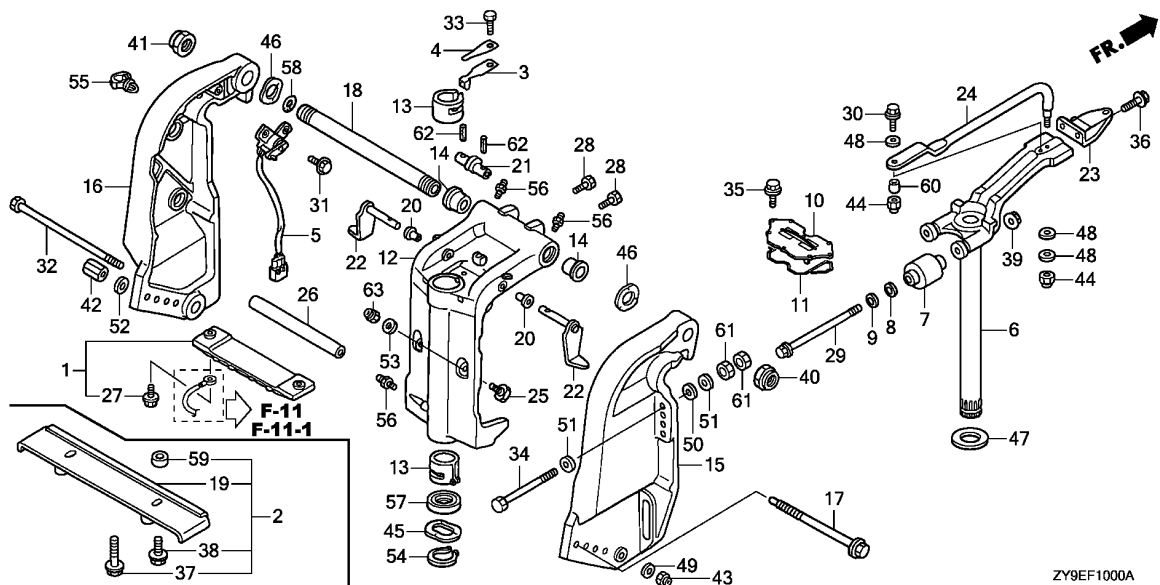
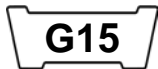
Ref. No.	L.O.N.	(Relative ref. Number) Description	F.R.T.
1	4131BA	METAL, STERN BRACKET ANODE ...	0.2
2	4131BB	PLATE, STERN BRACKET SPLASH ...	0.2
3		(4)	
	2101GJ	SPRING, CLICK(A) .....	0.1
5	616151	SENSOR, TRIM ANGLE .....	0.7
6	4101H7	FRAME, MOUNTING .....	5.6
		.INCLUDES: Engine removal and installation	
7	4101CJ	RUBBER, UPPER MOUNTING :LEFT .	4.6
		.INCLUDES: Engine removal and installation	
	4101CK	RUBBER, UPPER MOUNTING :RIGHT .	4.6
		.INCLUDES: Engine removal and installation	
		.NOTE: Same time for two units (1)	
10	4101G5	COVER, UPPER MOUNT .....	4.5
		.INCLUDES: Engine removal and installation	
12	4131B1	CASE, SWIVEL .....	6.0
		.INCLUDES: Engine removal and installation	
+13	4131N2	LINER, SWIVEL CASE .....	5.6

3

Ref. No.	Part No.	Description	Reqd. QTY				Serial No.	Parts catalogue code
			BF 75D K2	BF 90D K2	BF 75D K3	BF 90D K4		
1	06411-ZW1-020	METAL KIT, ANODE .....	1	1	1	1		
2	06534-ZY9-000	PLATE KIT, SPLASH .....	(1)	(1)	(1)	(1)		
3	24210-ZV1-010	SPRING COMP., CLICK .....	1	1	1	1		
4	24221-ZV4-010	SPRING, CLICK ASSIST .....	1	1	1	1		
5	35660-ZY9-003	SENSOR ASSY., TRIM ANGLE ....	1	1	1	1	----- LRTD,LRTL,LRTR,LRTU,LRTX,XRTD,XRTL,XRTU	
			(1)	(1)	-	(1)	----- LHTD	
6	50100-ZY9-020	FRAME COMP., MOUNTING .....	1	1	1	1		
7	50151-ZZ0-000	MOUNT COMP., UPPER RUBBER ...	2	2	2	2		
8	50153-ZY9-000	RUBBER, UPPER MOUNT STOPPER .	2	2	2	2		
9	50158-ZY9-000	STOPPER, UPPER MOUNT .....	2	2	2	2		
10	50166-ZY9-000	COVER, UPPER MOUNT .....	1	1	-	-		
	50166-ZY9-010	.....	-	-	1	1		
11	50168-ZY9-000	SEAL, UPPER MOUNT COVER .....	1	1	1	1		
12	50201-ZY9-010ZB	CASE, SWIVEL						
		*NHB14M*						
		AQUA MARINE SILVER METALLIC	1	1	-	-		
	50201-ZY9-020ZB	*NHB14M*						
		AQUA MARINE SILVER METALLIC	-	-	1	1		
13	50211-ZV5-003	LINER, SWIVEL CASE .....	2	2	-	-		
	50211-ZZ5-000	.....	-	-	2	2		
14	50214-ZW1-000	BUSH, SWIVEL CASE .....	2	2	2	2		
15	50301-ZY9-010ZB	BRACKET, R. STERN						
		*NHB14M*						
		AQUA MARINE SILVER METALLIC	1	1	-	-		
	50301-ZY9-020ZB	*NHB14M*						
		AQUA MARINE SILVER METALLIC	-	-	1	1		

**F-10**

**STERN BRACKET/SWIVEL CASE**



Ref. No.	L.O.N.	(Relative ref. Number) Description	F.R.T.
+13		.INCLUDES: Engine removal and installation	
15	413129	BRACKET, STERN :RIGHT .....	5.2
		.INCLUDES: Engine removal and installation	
16	413128	BRACKET, STERN :LEFT .....	4.9
		.INCLUDES: Engine removal and installation	
18	8171E9	SHAFT, TILTING .....	5.6
		.INCLUDES: Engine removal and installation	
22	4131AY	STOPPER, TILT :LEFT .....	5.6
		.INCLUDES: Engine removal and installation	
		.NOTE: Same time for two units	
	4131AZ	STOPPER, TILT :RIGHT .....	5.6
		.INCLUDES: Engine removal and installation	
		.NOTE: Same time for two units	
57	4131N3	OIL SEAL, SWIVEL CASE .....	5.6
		.INCLUDES: Engine removal and installation	

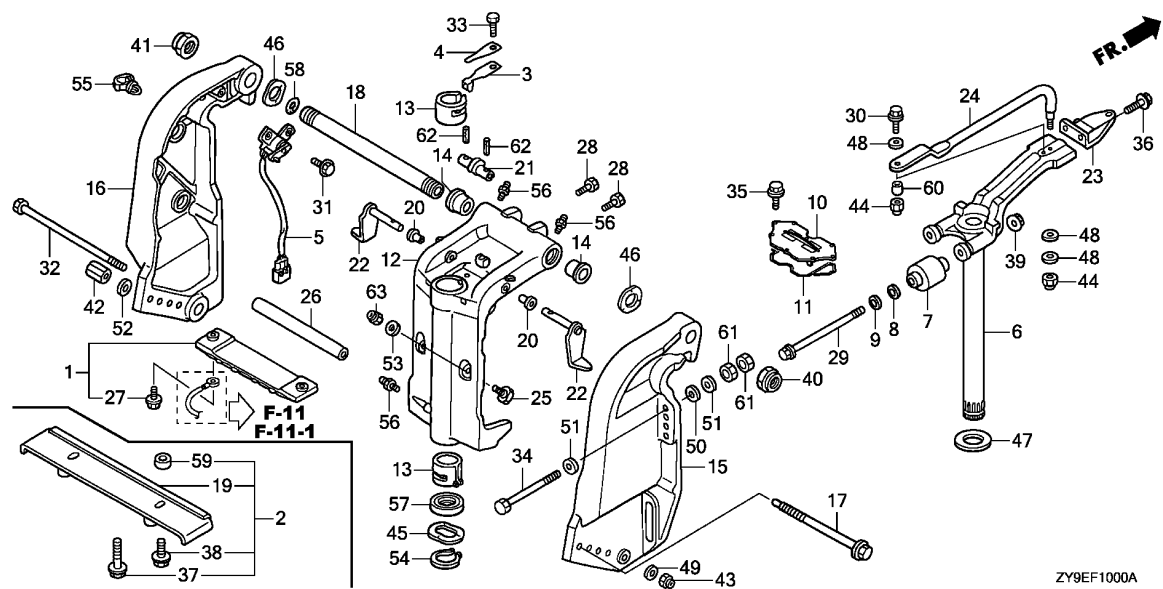
Ref. No.	Part No.	Description	Reqd. QTY				Serial No.	Parts catalogue code
			BF 75D K2	BF 90D K2	BF 75D K3	BF 90D K4		
16	50311-ZY9-010ZB	BRACKET, L. STERN *NHB14M* AQUA MARINE SILVER METALLIC	1	1	-	-		
	50311-ZY9-020ZB	*NHB14M* AQUA MARINE SILVER METALLIC	-	-	1	1		
17	50341-ZW5-010	ROD, ADJUSTING .....	1	1	1	1	-----	LHGD,LHGX LHTD,LRTD,LRTL,LRTR,LRTU,LRTX,XRTD,XRTL,XRTU
18	50381-ZW1-010	SHAFT, TILTING .....	1	-	-	-	1100980	
	50381-ZY9-000	.....	1	-	-	-	1100981	
	50381-ZW1-010	.....	-	1	-	-	1104584	
	50381-ZY9-000	.....	-	1	-	-	1104585	
19	50412-ZY9-000	PLATE COMP., SPLASH .....	(1)	(1)	(1)	(1)		
20	50522-ZV5-000	BUSH, TILT ARM .....	2	2	2	2		
21	50527-ZW1-000	BRACKET, TILTING .....	1	1	1	1		
22	50529-ZW1-000	STOPPER, TILT .....	2	2	2	2		
23	53234-ZW1-010	PLATE, STEERING .....	(1)	(1)	(1)	(1)		
24	53238-ZW1-010	ROD, STEERING .....	1	1	1	1	-----	LRTD,LRTL,LRTR,LRTU,LRTX,XRTD,XRTL,XRTU
25	56516-ZW1-000	RECEIVER, THRUST .....	2	2	2	2	-----	LHTD,LRTD,LRTL,LRTR,LRTU,LRTX,XRTD,XRTL,XRTU
26	56539-ZW1-000	COLLAR, LOWER CYLINDER .....	1	1	1	1		
27	90009-ZW9-000	BOLT, FLANGE, 6X23 .....	2	2	2	2		
28	90102-ZW1-000	BOLT, 1/4-28UNF .....	(2)	(2)	(2)	(2)		
29	90102-ZY9-000	BOLT, HEX., 12X186 .....	2	2	2	2		
30	90105-ZW1-000	BOLT, 3/8-24UNF .....	1	1	1	1	-----	LRTD,LRTL,LRTR,LRTU,LRTX,XRTD,XRTL,XRTU
31	90105-ZW9-000	BOLT, FLANGE, 6X20 .....	2	2	2	2	-----	LRTD,LRTL,LRTR,LRTU,LRTX,XRTD,XRTL,XRTU
			(2)	(2)	-	(2)	-----	LHTD



F-10

STERN BRACKET/SWIVEL CASE

G16



ZY9EF1000A

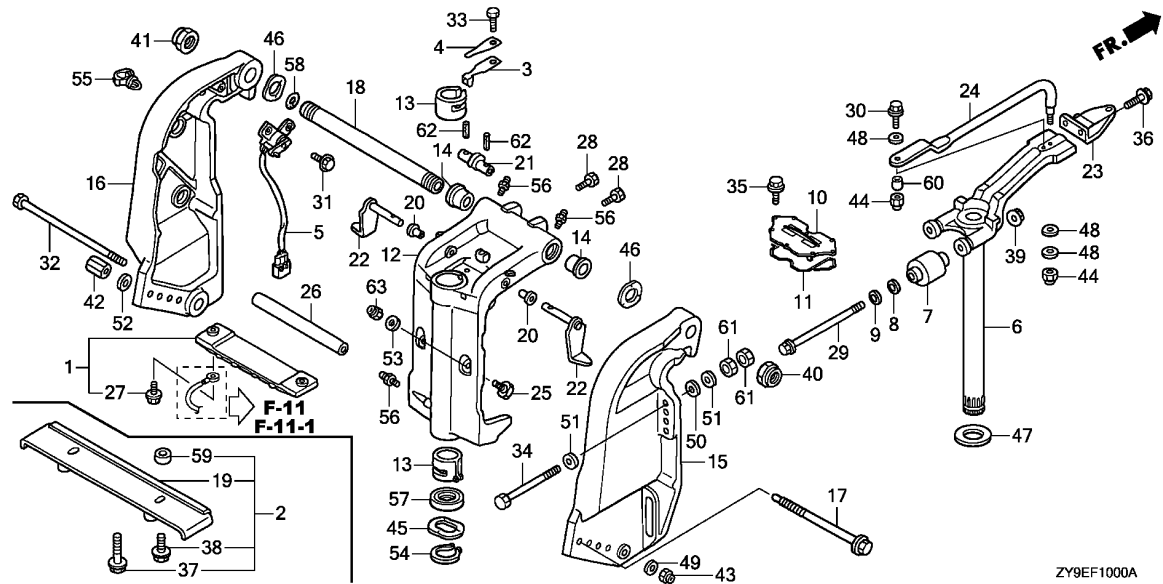
Ref. No.	Part No.	Description	Reqd. QTY				Serial No.	Parts catalogue code
			BF 75D K2	BF 90D K2	BF 75D K3	BF 90D K4		
32	90108-ZW1-000	BOLT, HEX., 10X235 .....	1	1	1	1		
33	90110-881-000	BOLT, HEX., 6X14 .....	1	1	1	1		
34	90129-ZZ3-000	BOLT, HEX., 12X119 .....	4	4	4	4		
35	90151-ZW4-000	BOLT, FLANGE, 8X25 .....	8	8	8	8		
36	90154-ZW9-000	BOLT, FLANGE, 10X25 .....	(2)	(2)	(2)	(2)		
37	90214-HW1-671	BOLT, FLANGE, 6X25(SUS-D) ...	(2)	(2)	(2)	(2)		
38	90215-HW1-671	BOLT, FLANGE, 6X16 .....	(2)	(2)	(2)	(2)		
39	90302-ZW5-003	NUT, FLANGE, 12MM .....	2	2	2	2		
40	90304-ZV5-013	NUT, SELF-LOCK(7/8-14UNF) ...	1	1	1	1		
41	90304-ZW1-013	NUT, SELF-LOCK(25X2.0) .....	1	1	1	1		
42	90304-ZW5-000	NUT, ADJUSTER ROD .....	1	1	1	1		LHGD,LHGX
			(1)	(1)	(1)	(1)		LHTD,LRTD,LRTL,LRTR,LRTU,LRTX,XRTD,XRTL,XRTU
43	90306-ZV5-003	NUT, SELF-LOCK, 10MM .....	1	1	-	-		
	90306-ZW4-003	NUT, FLANGE, 10MM .....	-	-	1	1		
44	90307-ZV5-003	NUT, SELF-LOCK(3/8-24UNF) ...	2	2	2	2		LRTD,LRTL,LRTR,LRTU,LRTX,XRTD,XRTL,XRTU
45	90501-ZV5-000	WASHER, WAVE, 40MM .....	1	1	1	1		
46	90502-ZV5-000	WASHER, WAVE, 26MM .....	2	2	2	2		
47	90504-ZV5-000	WASHER, THRUST, 34MM .....	1	1	1	1		
48	90514-ZV4-000	WASHER, 10MM .....	3	3	3	3		LRTD,LRTL,LRTR,LRTU,LRTX,XRTD,XRTL,XRTU
49	90545-ZV5-000	WASHER, PLAIN, 10MM .....	1	1	-	-		
	90511-921-000	.....	-	-	1	1		
50	90552-ZV5-000	WASHER, PLAIN, 12MM .....	4	4	4	4		
51	90559-ZV5-000	WASHER, PLAIN, 12MM .....	8	8	8	8		
52	90559-ZV5-000	WASHER, PLAIN, 12MM .....	1	1	1	1		LHGD,LHGX
			(1)	(1)	(1)	(1)		LHTD,LRTD,LRTL,LRTR,LRTU,LRTX,XRTD,XRTL,XRTU

3

F-10

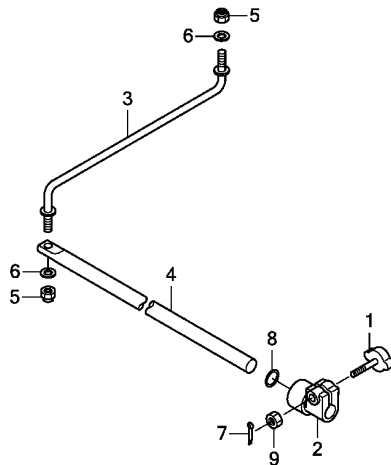
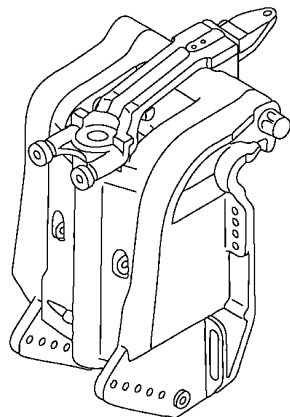
STERN BRACKET/SWIVEL CASE

H 1



Ref. No.	Part No.	Description	Reqd. QTY				Serial No.	Parts catalogue code
			BF 75D K2	BF 90D K2	BF 75D K3	BF 90D K4		
53	90563-ZV5-000	WASHER, PLAIN, 10MM .....	2	2	2	2	-----	LHTD,LRTD,LRTL,LRTR,LRTU,LRTX,XRTD,XRTL,XRTU
54	90651-ZW4-000	CIRCLIP, EXTERNAL, 39MM .....	1	1	1	1	-----	LHTD,LRTD,LRTL,LRTR,LRTU,LRTX,XRTD,XRTL,XRTU
55	90681-763-A01	CLIP, WIRE HARNESS .....	1	1	1	1	-----	LHTD,LRTD,LRTL,LRTR,LRTU,LRTX,XRTD,XRTL,XRTU
56	90951-ZV7-010	NIPPLE, GREASE .....	3	3	3	3	-----	LHTD,LRTD,LRTL,LRTR,LRTU,LRTX,XRTD,XRTL,XRTU
57	91256-ZV5-003	OIL SEAL, 39.5X52X6(ARAI) ...	1	1	1	1	-----	LHTD,LRTD,LRTL,LRTR,LRTU,LRTX,XRTD,XRTL,XRTU
58	91352-ZV5-000	O-RING, 15.54X2.26 .....	1	1	1	1	-----	LHTD,LRTD,LRTL,LRTR,LRTU,LRTX,XRTD,XRTL,XRTU
59	91557-ZY9-000	COLLAR, SPLASH PLATE .....	(2)	(2)	(2)	(2)	-----	LHTD,LRTD,LRTL,LRTR,LRTU,LRTX,XRTD,XRTL,XRTU
60	91560-ZV5-000	COLLAR, STEERING ROD .....	1	1	1	1	-----	LHTD,LRTD,LRTL,LRTR,LRTU,LRTX,XRTD,XRTL,XRTU
61	94001-12490-0S	NUT, HEX., 12MM .....	8	8	8	8	-----	LHTD,LRTD,LRTL,LRTR,LRTU,LRTX,XRTD,XRTL,XRTU
62	94305-25203	PIN, SPRING, 2.5X20 .....	2	2	-	-	-----	LHTD,LRTD,LRTL,LRTR,LRTU,LRTX,XRTD,XRTL,XRTU
	90752-ZW6-000	.....	-	-	2	2	-----	LHTD,LRTD,LRTL,LRTR,LRTU,LRTX,XRTD,XRTL,XRTU
63	90306-ZV5-003	NUT, SELF-LOCK, 10MM .....	2	2	-	-	-----	LHTD,LRTD,LRTL,LRTR,LRTU,LRTX,XRTD,XRTL,XRTU
	90306-ZW4-003	NUT, FLANGE, 10MM .....	-	-	2	2	-----	LHTD,LRTD,LRTL,LRTR,LRTU,LRTX,XRTD,XRTL,XRTU

3

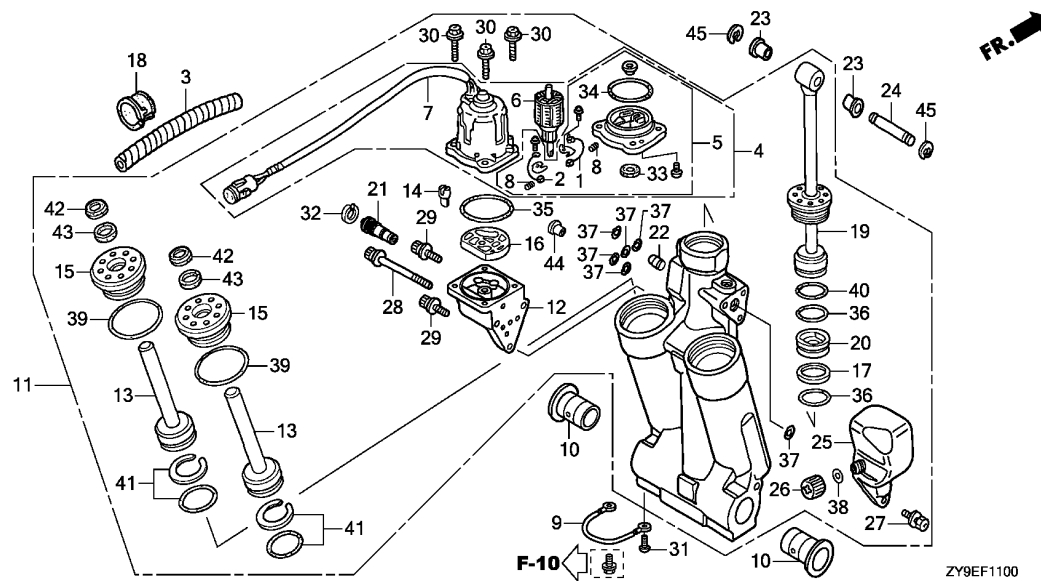


ZY9EF1001

Ref. No.	L.O.N. (Relative ref. Number)	Description	F.R.T.
3	5101H2	ROD, STEERING FRICTION .....	0.2

3

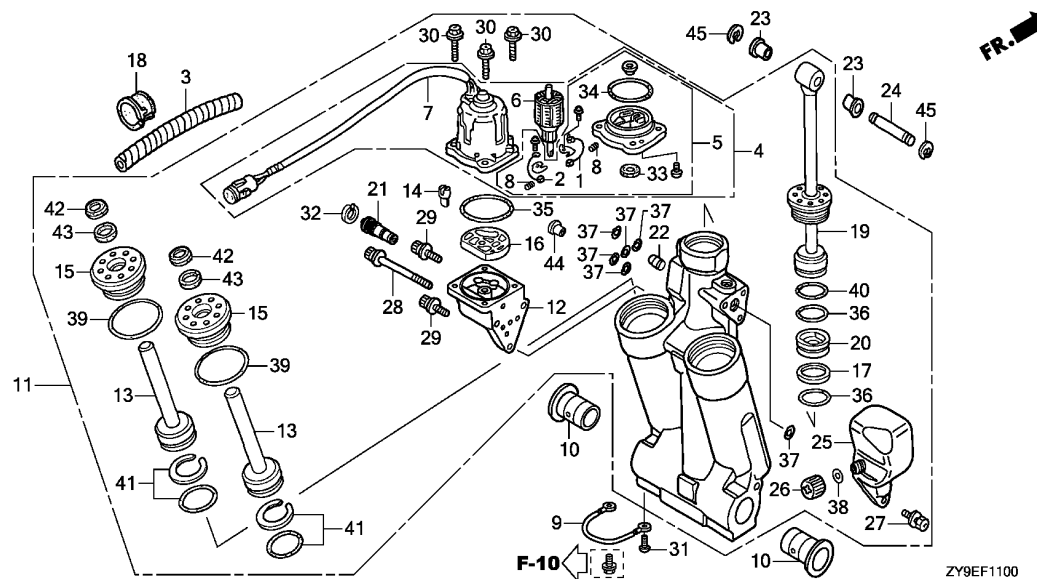
Ref. No.	Part No.	Description	Reqd. QTY				Serial No.	Parts catalogue code
			BF 75D K2	BF 90D K2	BF 75D K3	BF 90D K4		
1	53104-ZV3-000	BOLT, FRICTION .....	1	1	1	1	-----	LHGD,LHGX,LHTD
2	53236-ZW1-700	BLOCK, STEERING FRICTION .....	1	1	1	1	-----	LHGD,LHGX,LHTD
3	53238-ZW1-700	ROD, STEERING FRICTION .....	1	1	1	1	-----	LHGD,LHGX,LHTD
4	53239-ZW1-701	SHAFT, STEERING FRICTION .....	1	1	1	1	-----	LHGD,LHGX,LHTD
5	90305-ZV4-000	NUT, SELF-LOCK, 8MM .....	2	2	2	2	-----	LHGD,LHGX,LHTD
6	90401-ZW1-000	WASHER, PLAIN, 8MM .....	2	2	2	2	-----	LHGD,LHGX,LHTD
7	90759-ZV1-000	PIN, SPLIT, 2.0 .....	1	1	1	1	-----	LHGD,LHGX,LHTD
8	91352-ZV5-000	O-RING, 15.54X2.26 .....	1	1	1	1	-----	LHGD,LHGX,LHTD
9	94002-06490-0S	NUT, HEX., 6MM .....	1	1	1	1	-----	LHGD,LHGX,LHTD



ZY9EF1100

Ref. No.	L.O.N.	(Relative ref. Number) Description	F.R.T.
4	8171B6	MOTOR, POWER TILT ..... .INCLUDES: Engine removal and installation	6.1
6	8171F4	ARMATURE, POWER TRIM-TILT .... .INCLUDES: Engine removal and installation	6.3
7	8171D2	YOKE, POWER TRIM-TILT ..... .INCLUDES: Engine removal and installation	6.3
11	8171C9	TILT, POWER ..... .INCLUDES: Engine removal and installation	5.1
12	8171C7	PUMP, POWER TRIM-TILT ..... .INCLUDES: Engine removal and installation	6.3
13	8171H7	ROD, POWER TRIM-TILT PISTON(B) :LEFT ..... .INCLUDES: Engine removal and installation .NOTE: Same time for two units or more	7.0

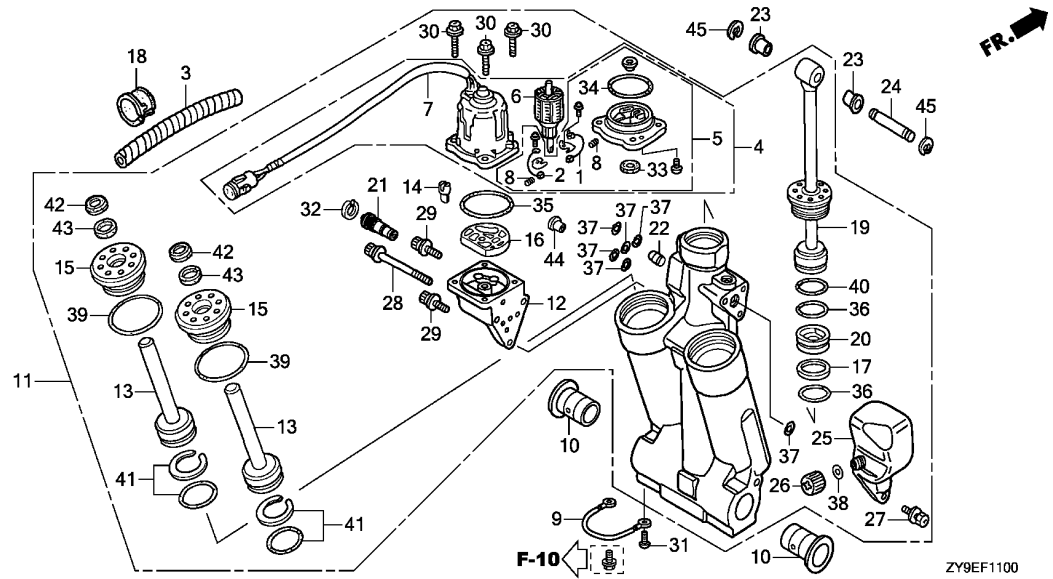
Ref. No.	Part No.	Description	Reqd. QTY				Serial No.	Parts catalogue code
			BF 75D K2	BF 90D K2	BF 75D K3	BF 90D K4		
1	30280-ZY3-003	BREAKER ASSY. ....	1	1	1	1	LHTD,LRTD,LRTL,LRTR,LRTU,LRTX,XRTD,XRTL,XRTU	
2	31106-ZY3-003	BRUSH ASSY. ....	1	1	1	1	LHTD,LRTD,LRTL,LRTR,LRTU,LRTX,XRTD,XRTL,XRTU	
3	36104-ZY9-003	TUBE, SPIRAL(12X14.6) ....	1	1	1	1	LHTD,LRTD,LRTL,LRTR,LRTU,LRTX,XRTD,XRTL,XRTU	
4	36120-ZY9-003	MOTOR ASSY., POWER TILT ....	1	1	1	1	LHTD,LRTD,LRTL,LRTR,LRTU,LRTX,XRTD,XRTL,XRTU	
5	36122-ZW1-013	BRACKET ASSY. ....	1	1	1	1	LHTD,LRTD,LRTL,LRTR,LRTU,LRTX,XRTD,XRTL,XRTU	
6	36123-ZW1-013	ARMATURE COMP. ....	1	1	1	1	LHTD,LRTD,LRTL,LRTR,LRTU,LRTX,XRTD,XRTL,XRTU	
7	36129-ZY9-003	YOKE ASSY. ....	1	1	1	1	LHTD,LRTD,LRTL,LRTR,LRTU,LRTX,XRTD,XRTL,XRTU	
8	36136-ZV5-821	SPRING, MOTOR ....	2	2	2	2	LHTD,LRTD,LRTL,LRTR,LRTU,LRTX,XRTD,XRTL,XRTU	
9	40219-ZY3-013	WIRE, LEAD(1.5X116MM) ....	1	1	1	1	LHTD,LRTD,LRTL,LRTR,LRTU,LRTX,XRTD,XRTL,XRTU	
10	50214-ZV5-003	BUSH, SWIVEL CASE ....	2	2	2	2	LHTD,LRTD,LRTL,LRTR,LRTU,LRTX,XRTD,XRTL,XRTU	
11	56000-ZY9-003	TRIM-TILT ASSY., POWER ....	1	-	-	-	1100557 LHTD,LRTD,LRTL,LRTU,XRTL,XRTU	
	56000-ZY9-013	.....	1	-	-	-	1100558 LHTD,LRTD,LRTL,LRTU,XRTL,XRTU	
	56000-ZY9-003	.....	-	1	-	-	1102637 LHTD,LRTD,LRTL,LRTU,XRTD,XRTL,XRTU	
	56000-ZY9-013	.....	-	1	-	-	1102638 LHTD,LRTD,LRTL,LRTU,XRTD,XRTL,XRTU	
12	56100-ZY9-003	PUMP ASSY. ....	1	-	-	-	1100557 LHTD,LRTD,LRTL,LRTU,XRTL,XRTU	
	56100-ZY9-013	.....	1	-	-	-	1100558 LHTD,LRTD,LRTL,LRTU,XRTL,XRTU	
	56100-ZY9-003	.....	-	1	-	-	1102637 LHTD,LRTD,LRTL,LRTU,XRTD,XRTL,XRTU	
	56100-ZY9-013	.....	-	1	-	-	1102638 LHTD,LRTD,LRTL,LRTU,XRTD,XRTL,XRTU	
13	56110-ZW1-701	ROD COMP., PISTON(B) ....	-	-	1	1	LHTD,LRTD,LRTL,LRTR,LRTX,XRTD,XRTL	
14	56113-ZW1-701	JOINT, DRIVE ....	2	2	2	2	LHTD,LRTD,LRTL,LRTR,LRTU,LRTX,XRTD,XRTL,XRTU	
15	56115-ZY9-003	GUIDE COMP., ROD ....	1	1	1	1	LHTD,LRTD,LRTL,LRTR,LRTU,LRTX,XRTD,XRTL,XRTU	
16	56116-ZW1-701	FILTER B ....	1	1	1	1	LHTD,LRTD,LRTL,LRTR,LRTU,LRTX,XRTD,XRTL,XRTU	
17	56117-ZV5-821	RING, BACK UP ....	1	1	1	1	LHTD,LRTD,LRTL,LRTR,LRTU,LRTX,XRTD,XRTL,XRTU	
18	56118-ZV5-820	BUSH, MOTOR CODE ....	1	1	1	1	LHTD,LRTD,LRTL,LRTR,LRTU,LRTX,XRTD,XRTL,XRTU	



Ref. No.	L.O.N.	(Relative ref. Number) Description	F.R.T.
+13	8171H8	ROD, POWER TRIM-TILT PISTON(B) :RIGHT ..... .INCLUDES: Engine removal and installation .NOTE: Same time for two units or more	7.0
16	8171A9	FILTER, POWER TRIM-TILT ..... .INCLUDES: Engine removal and installation	6.2
19	8171C0	ROD, POWER TRIM-TILT PISTON .. .INCLUDES: Engine removal and installation .NOTE: Same time for two units or more	7.0
25	8171D3	TANK, OIL(POWER TRIM-TILT) ... .INCLUDES: Engine removal and installation	5.3

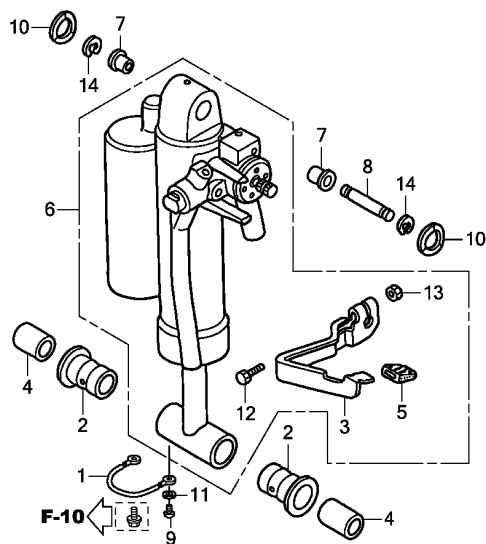
3

Ref. No.	Part No.	Description	Reqd. QTY				Serial No.	Parts catalogue code
			BF 75D K2	BF 90D K2	BF 75D K3	BF 90D K4		
19	56120-ZY9-003	ROD COMP., PISTON .....	1	1	1	1	-----	LHTD,LRTD,LRTL,LRTR,LRTU,LRTX,XRTD,XRTL,XRTU
20	56130-ZW1-702	PISTON COMP., FREE .....	1	1	1	1	-----	LHTD,LRTD,LRTL,LRTR,LRTU,LRTX,XRTD,XRTL,XRTU
21	56170-ZY9-003	VALVE COMP., MANUAL .....	1	1	1	1	-----	LHTD,LRTD,LRTL,LRTR,LRTU,LRTX,XRTD,XRTL,XRTU
22	56180-ZW1-701	VALVE COMP., RESERVOIR .....	1	1	1	1	-----	LHTD,LRTD,LRTL,LRTR,LRTU,LRTX,XRTD,XRTL,XRTU
23	56513-ZV5-000	BUSH, LOWER CYLINDER .....	2	2	2	2	-----	LHTD,LRTD,LRTL,LRTR,LRTU,LRTX,XRTD,XRTL,XRTU
24	56532-ZW1-000	PIN, UPPER CYLINDER .....	1	1	1	1	-----	LHTD,LRTD,LRTL,LRTR,LRTU,LRTX,XRTD,XRTL,XRTU
25	56851-ZW1-703	TANK, OIL .....	1	1	1	1	-----	LHTD,LRTD,LRTL,LRTR,LRTU,LRTX,XRTD,XRTL,XRTU
26	56860-ZW1-701	CAP COMP., OIL TANK .....	1	1	1	1	-----	LHTD,LRTD,LRTL,LRTR,LRTU,LRTX,XRTD,XRTL,XRTU
27	90113-ZW1-702	BOLT, RECESSED .....	3	3	3	3	-----	LHTD,LRTD,LRTL,LRTR,LRTU,LRTX,XRTD,XRTL,XRTU
28	90114-ZW1-702	BOLT, SOCKET(A) .....	1	1	1	1	-----	LHTD,LRTD,LRTL,LRTR,LRTU,LRTX,XRTD,XRTL,XRTU
29	90115-ZW1-702	BOLT, SOCKET(B) .....	2	2	2	2	-----	LHTD,LRTD,LRTL,LRTR,LRTU,LRTX,XRTD,XRTL,XRTU
30	90116-ZW1-702	BOLT, HEX. ....	4	4	4	4	-----	LHTD,LRTD,LRTL,LRTR,LRTU,LRTX,XRTD,XRTL,XRTU
31	90119-ZV5-000	SCREW, PAN, 6X8 .....	1	1	1	1	-----	LHTD,LRTD,LRTL,LRTR,LRTU,LRTX,XRTD,XRTL,XRTU
32	90652-ZW1-702	CIRCLIP, INTERNAL .....	1	1	1	1	-----	LHTD,LRTD,LRTL,LRTR,LRTU,LRTX,XRTD,XRTL,XRTU
33	91203-ZV5-821	OIL SEAL .....	1	1	1	1	-----	LHTD,LRTD,LRTL,LRTR,LRTU,LRTX,XRTD,XRTL,XRTU
34	91207-ZW1-013	O-RING, 2.0X70.5 .....	1	1	1	1	-----	LHTD,LRTD,LRTL,LRTR,LRTU,LRTX,XRTD,XRTL,XRTU
35	91302-ZV5-821	O-RING, 1.8X69.6 .....	1	1	1	1	-----	LHTD,LRTD,LRTL,LRTR,LRTU,LRTX,XRTD,XRTL,XRTU
36	91316-ZV5-821	O-RING, 3.5X38.7 .....	2	2	2	2	-----	LHTD,LRTD,LRTL,LRTR,LRTU,LRTX,XRTD,XRTL,XRTU
37	91352-ZW1-702	O-RING, 1.8X7.7 .....	6	6	6	6	-----	LHTD,LRTD,LRTL,LRTR,LRTU,LRTX,XRTD,XRTL,XRTU
38	91353-ZW1-703	O-RING, 1.9X11 .....	1	1	1	1	-----	LHTD,LRTD,LRTL,LRTR,LRTU,LRTX,XRTD,XRTL,XRTU
39	91354-ZW1-701	O-RING, 3.5X35.7 .....	2	2	2	2	-----	LHTD,LRTD,LRTL,LRTR,LRTU,LRTX,XRTD,XRTL,XRTU
40	91355-ZW1-701	O-RING, 3.5X41.7 .....	1	1	1	1	-----	LHTD,LRTD,LRTL,LRTR,LRTU,LRTX,XRTD,XRTL,XRTU
41	91357-ZW1-701	O-RING SET, 3.5X31.7 .....	2	2	2	2	-----	LHTD,LRTD,LRTL,LRTR,LRTU,LRTX,XRTD,XRTL,XRTU
42	91358-ZW1-701	SEAL, WATER .....	2	2	2	2	-----	LHTD,LRTD,LRTL,LRTR,LRTU,LRTX,XRTD,XRTL,XRTU



ZY9EF1100

Ref. No.	Part No.	Description	Reqd. QTY				Serial No.	Parts catalogue code
			BF 75D K2	BF 90D K2	BF 75D K3	BF 90D K4		
43	91361-ZW1-701	PACKING .....	2	2	2	2	-----	LHTD,LRTD,LRTL,LRTR,LRTU,LRTX,XRTD,XRTL,XRTU
44	91557-ZW1-701	COLLAR, ORIFICE .....	1	1	1	1	-----	LHTD,LRTD,LRTL,LRTR,LRTU,LRTX,XRTD,XRTL,XRTU
45	94540-15029	E-RING, 15MM .....	2	2	2	2	-----	LHTD,LRTD,LRTL,LRTR,LRTU,LRTX,XRTD,XRTL,XRTU

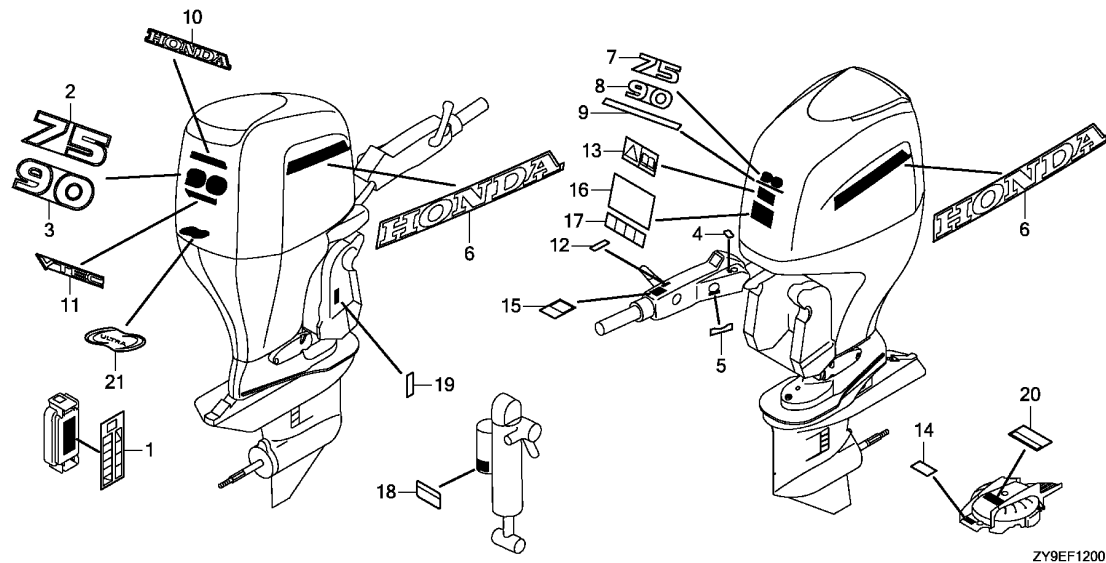


ZY9EF1101

Ref. No.	L.O.N. (Relative ref. Number)	Description	F.R.T.
6	8171A6	DAMPER, TILT .INCLUDES: Engine removal and installation	5.1

3

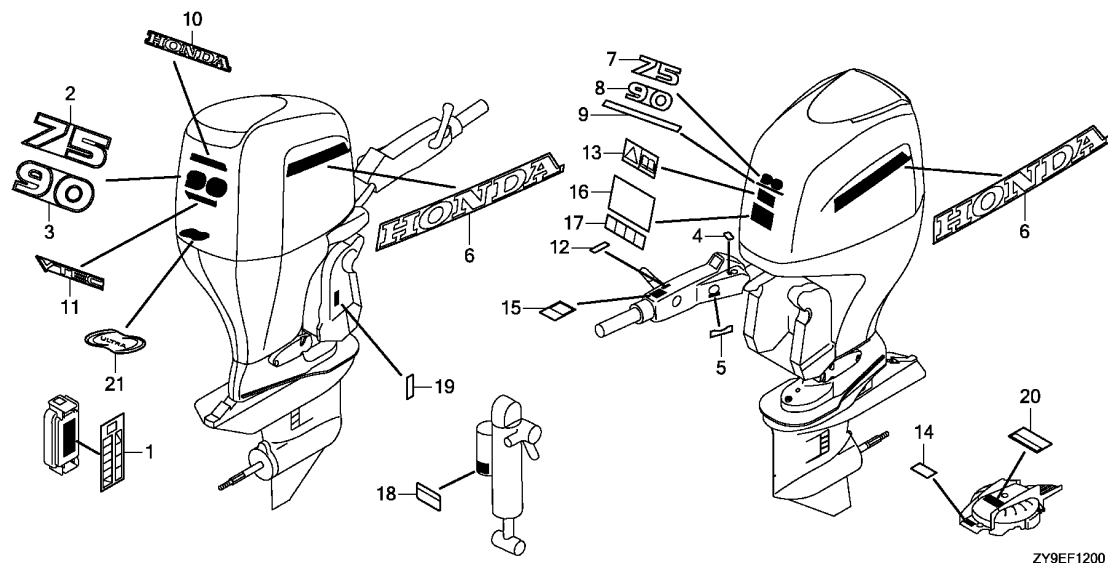
Ref. No.	Part No.	Description	Reqd. QTY				Serial No.	Parts catalogue code
			BF 75D K2	BF 90D K2	BF 75D K3	BF 90D K4		
1	40219-ZY6-023	WIRE, LEAD(1.5X137MM)	1	1	1	1	-----	LHGD ,LHGX
2	50214-ZV5-003	BUSH, SWIVEL CASE	2	2	2	2	-----	LHGD ,LHGX
3	50517-ZW1-000	LEVER, TILT	1	1	1	1	-----	LHGD ,LHGX
4	50539-ZY9-A40	SPACER, 22.5X45	2	2	2	2	-----	LHGD ,LHGX
5	50543-ZV5-000	GRIP, LEVER	1	1	1	1	-----	LHGD ,LHGX
6	51601-ZW1-003	DAMPER ASSY.	1	1	1	1	-----	LHGD ,LHGX
7	56513-ZV5-000	BUSH, LOWER CYLINDER	2	2	2	2	-----	LHGD ,LHGX
8	56532-ZW1-000	PIN, UPPER CYLINDER	1	1	1	1	-----	LHGD ,LHGX
9	90119-ZV5-000	SCREW, PAN, 6X8	1	1	1	1	-----	LHGD ,LHGX
10	90502-ZV5-000	WASHER, WAVE, 26MM	2	2	2	2	-----	LHGD ,LHGX
11	90512-ZV0-000	WASHER, PLAIN, 6MM	1	1	1	1	-----	LHGD ,LHGX
12	92101-06025-4J	BOLT, HEX., 6X25	1	1	1	1	-----	LHGD ,LHGX
13	94001-06490-0S	NUT, HEX., 6MM	1	1	1	1	-----	LHGD ,LHGX
14	94540-15029	E-RING, 15MM	2	2	2	2	-----	LHGD ,LHGX



Ref. L.O.N. (Relative ref. Number) F.R.T.  
No. Description

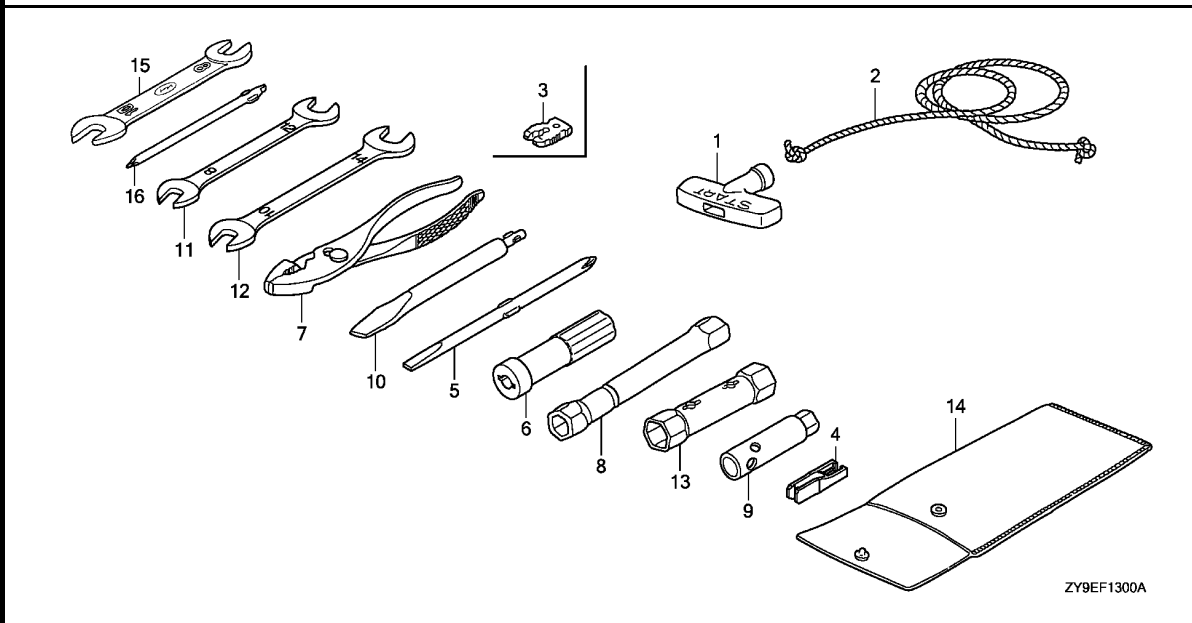
NO INFORMATION .....

Ref. No.	Part No.	Description	Reqd. QTY				Serial No.	Parts catalogue code
			BF 75D K2	BF 90D K2	BF 75D K3	BF 90D K4		
1	87117-ZY9-000	LABEL, FUSE .....	1	1	1	1		
2	87121-ZY9-C00	MARK, RR.(75) .....	1	-	1	-		
3	87121-ZZ0-C00	MARK, RR.(90) .....	-	1	-	1		
4	87124-ZW6-U80	MARK, EMERGENCY SWITCH						
5	87125-ZW1-700	INDICATION(EU) MARK, STARTER(ENGLISH) .....	1	1	1	1	-----	LHGD,LHGX,LHTD LHGD,LHGX,LHTD
6	87132-ZY9-000	MARK, SIDE STRIPE .....	2	2	2	2		
7	87301-ZY9-C00	MARK, FR. EMBLEM(75) .....	1	-	1	-		
8	87301-ZZ0-C00	MARK, FR. EMBLEM(90) .....	-	1	-	1		
9	87302-ZY3-C00	MARK, FOUR STROKE .....	1	1	1	1	-----	LHGD,LHGX,LHTD,LRTD,LRTX,XRTD
10	87303-ZZ5-C00	MARK, HONDA .....	1	1	1	1		
11	87304-ZZ5-C00	MARK(VTEC) .....	-	1	-	1		
12	87511-ZW9-620	MARK, CHANGE .....	1	1	1	1	-----	LHGD,LHGX,LHTD
13	87522-ZH8-W41	MARK, CAUTION(PICTOGRAPH) ...	1	1	1	1	-----	LHGD,LHGX,LHTD,LRTD,LRTL,LRTX,XRTD,XRTL
14	87531-ZW9-620	LABEL, OIL CAUTION .....	1	1	1	1		
15	87532-ZW9-620	MARK, THROTTLE(ENGLISH/FRENCH)	1	1	1	1	-----	LHGD,LHGX,LHTD
16	87538-ZW1-721	LABEL, WARNING OPERATOR(EC) -	1	1	1	1	-----	LHGD,LHGX,LHTD,LRTD,LRTL,LRTX,XRTD,XRTL
17	87538-ZY9-U80	LABEL, WARNING OPERATOR(EU) -	1	1	-	1	-----	LRTR,LRTU,XRTU
18	87541-ZV5-621	LABEL, ASSIST TILT CAUTION						
19	87543-ZV5-611	(ENGLISH) MARK, ASSIST LEVER	1	1	1	1	-----	LHGD,LHGX
20	87546-ZY9-640	(ENGLISH/FRENCH) MARK, EMERGENCY START	1	1	1	1	-----	LHGD,LHGX
	87546-ZY9-U80	(ENGLISH/FRENCH) MARK, EMERGENCY START(EU) ...	1	1	1	1	-----	LHGD,LHGX,LHTD,LRTD,LRTL,LRTX,XRTD,XRTL LRTR,LRTU,XRTU



Ref. No.	Part No.	Description	Reqd. QTY				Serial No.	Parts catalogue code
			BF 75D K2	BF 90D K2	BF 75D K3	BF 90D K4		

21	87634-ZW4-H11	MARK, ENVIRONMENT (ULTRA LOW EMISSION)	1	1	1	1	-----	LHGD,LHGX,LHTD,LRTD,LRTL,LRTX,XRTD,XRTL
----	---------------	---	---	---	---	---	-------	---



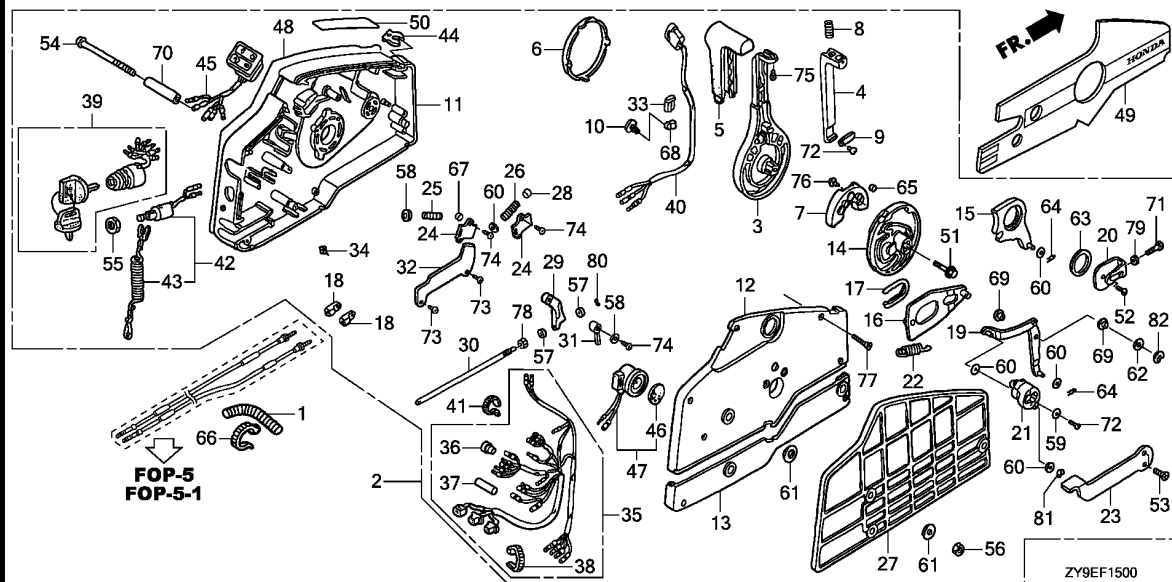
Ref. No.	L.O.N.	(Relative ref. Number)	Description	F.R.T.
----------	--------	------------------------	-------------	--------

NO INFORMATION .....

Ref. No.	Part No.	Description	Reqd. QTY				Serial No.	Parts catalogue code
			BF 75D K2	BF 90D K2	BF 75D K3	BF 90D K4		
1	28461-ZH8-013	KNOB, RECOIL STARTER .....	1	1	1	1		
2	28462-ZW9-003	ROPE, RECOIL STARTER .....	1	1	1	1		
3	36187-ZV4-652	CLIP, EMERGENCY LOCK .....	1	1	1	1	-----	LHGD,LHGX,LHTD
4	38235-S04-003	PULLER, MINI FUSE(SUMITOMO) ..	1	1	1	1		
5	89102-538-000	DRIVER, SCREW(NO.2 + -) .....	1	1	-	-		
6	89103-538-000	GRIP .....	1	1	-	-		
	99003-50000	GRIP, SCREW DRIVER .....	-	-	1	1		
7	89210-GBJ-J00	PLIERS, 135(RIKEN) .....	1	1	-	-		
8	89216-SF4-000	WRENCH, PLUG .....	1	1	1	1		
9	89217-355-000	WRENCH, BOX(10MM) .....	1	1	-	-		
10	89301-921-010	DRIVER, CHECK BOLT .....	1	1	-	-		
11	99001-08120	SPANNER, 8X12 .....	1	1	-	-		
12	99001-10140	SPANNER, 10X14 .....	1	1	-	-		
13	99004-18190	WRENCH, BOX(P18X19) .....	1	1	1	1		
14	99008-02000	BAG, TOOL, 200MM .....	1	1	1	1		
15	89203-VF9-003	SPANNER, 8X10 .....	-	-	1	1		
16	99003-10000	DRIVER 1, PLUS SCREW(NO.2) ..	-	-	1	1		

F-15

REMOTE CONTROL(1)



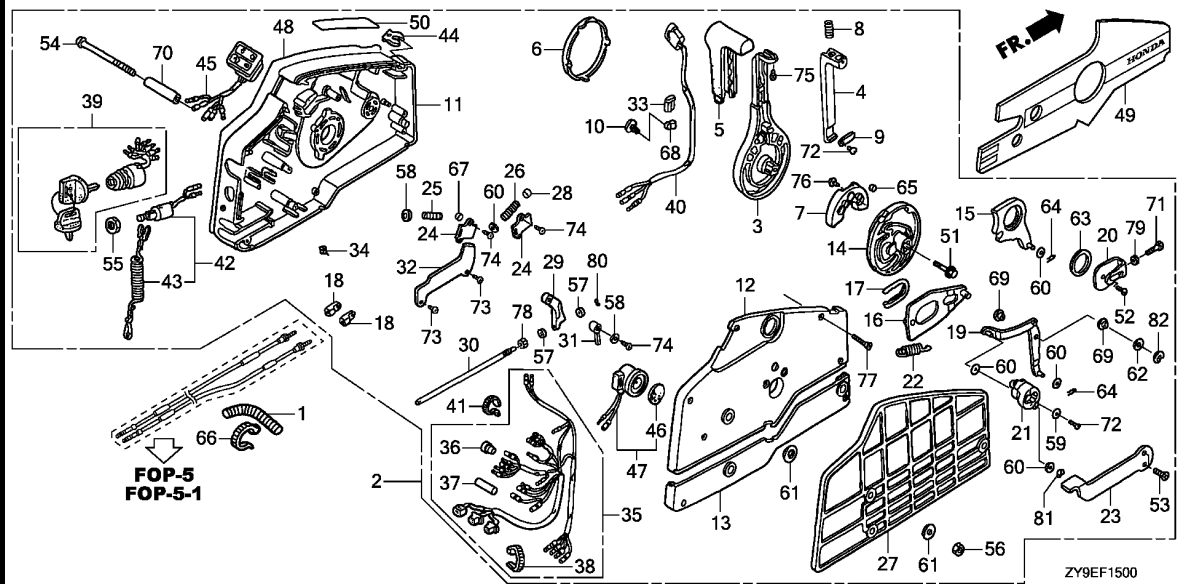
Ref. No.	L.O.N.	(Relative ref. Number) Description	F.R.T.
3	6221B7	HANDLE, REMOTE CONTROL	0.5
4	6221H8	LEVER, HANDLE LOCK	0.4
6	6221H6	CAP, REMOTE CONTROL HANDLE	0.1
11	6221H9	HOUSING, REMOTE CONTROL BOX(A)	0.8
12	6221J0	HOUSING, REMOTE CONTROL BOX(B)	0.2
13	6221J1	HOUSING, REMOTE CONTROL BOX(C)	0.1
14	6221E0	WHEEL, REMOTE CONTROL	0.4
16	6221D3	PLATE, REMOTE CONTROL SLIDING	0.4
23	6221H7	LEVER, REMOTE CONTROL IDLE	0.1
28	6221F5	SPACER, CLICK SPRING	0.4
35	6111B0	CABLE, REMOTE CONTROL(B)	0.5
39	6151D7	SWITCH, COMBINATION (REMOTE CONTROL)	0.4
40	616150	SWITCH, POWER TRIM-TILT (REMOTE CONTROL)	0.5
42	6151D8	SWITCH, EMERGENCY STOP (REMOTE CONTROL)	0.3
45	6161B4	LAMP, INDICATION (REMOTE CONTROL)	0.3
47	6211C1	BUZZER, WARNING (REMOTE CONTROL)	0.3
67	6221F6	ROLLER, CLICK	0.4

3

Ref. No.	Part No.	Description	Reqd. QTY				Serial No.	Parts catalogue code
			BF 75D K2	BF 90D K2	BF 75D K3	BF 90D K4		
1	17736-ZW1-000	TUBE, CORRUGATE(28MM)	(1)	(1)	(1)	(1)		
2	24800-ZZ5-040	BOX ASSY., REMOTE CONTROL	1	1	1	1	LRTD,LRTX,XRTD	
	24800-ZZ5-782	BOX ASSY., REMOTE CONTROL(EU)	(1)	(1)	-	(1)	LRTL,XRTL	
3	24811-ZV5-010	HANDLE, REMOTE CONTROL	1	1	1	1	LRTL,LRTU,XRTU	
4	24812-ZV5-000	LEVER, HANDLE LOCK	(1)	(1)	-	(1)	LRTD,LRTX,XRTD	
5	24813-ZV5-000	GRIP, REMOTE CONTROL HANDLE	1	1	1	1	LRTL,LRTR,LRTU,XRTL,XRTU	
6	24814-ZV5-010	CAP, HANDLE	(1)	(1)	-	(1)	LRTD,LRTX,XRTD	
7	24815-ZV5-010	BLOCK, NEUTRAL LOCK	1	1	1	1	LRTL,LRTR,LRTU,XRTL,XRTU	
8	24816-ZV5-000	SPRING, REMOTE CONTROL HANDLE	(1)	(1)	-	(1)	LRTD,LRTX,XRTD	
9	24817-ZV5-000	PLATE, LEVER SETTING	(1)	(1)	-	(1)	LRTL,LRTR,LRTU,XRTL,XRTU	
10	24818-ZV5-003	CLAMP, HARNESS	1	1	1	1	LRTD,LRTX,XRTD	
11	24820-ZV5-010	HOUSING COMP., REMOTE CONTROL BOX(A)	(1)	(1)	-	(1)	LRTL,LRTR,LRTU,XRTL,XRTU	
12	24830-ZV5-010	HOUSING COMP., REMOTE CONTROL BOX(B)	1	1	1	1	LRTD,LRTX,XRTD	
			(1)	(1)	-	(1)	LRTL,LRTR,LRTU,XRTL,XRTU	

Ref. No.	Part No.	Description	Reqd. QTY				Serial No.	Parts catalogue code
			BF 75D K2	BF 90D K2	BF 75D K3	BF 90D K4		
13	24836-ZV5-000	HOUSING, REMOTE CONTROL BOX(C)	1	1	1	1	-----	LRTD,LRTX,XRTD
			(1)	(1)	-	(1)	-----	LRTL,LRTR,LRTU,XRTL,XRTU
14	24841-ZV5-000	WHEEL, CONTROL .....	1	1	1	1	-----	LRTD,LRTX,XRTD
			(1)	(1)	-	(1)	-----	LRTL,LRTR,LRTU,XRTL,XRTU
15	24845-ZV5-000	ARM COMP., SHIFT LINK .....	1	1	1	1	-----	LRTD,LRTX,XRTD
			(1)	(1)	-	(1)	-----	LRTL,LRTR,LRTU,XRTL,XRTU
16	24850-ZV5-000	PLATE COMP., SLIDING .....	1	1	1	1	-----	LRTD,LRTX,XRTD
			(1)	(1)	-	(1)	-----	LRTL,LRTR,LRTU,XRTL,XRTU
17	24854-ZV5-000	COLLAR, SLIDING PLATE .....	1	1	1	1	-----	LRTD,LRTX,XRTD
			(1)	(1)	-	(1)	-----	LRTL,LRTR,LRTU,XRTL,XRTU
18	24855-ZV5-000	PIVOT, SHIFT .....	2	2	2	2	-----	LRTD,LRTX,XRTD
			(2)	(2)	-	(2)	-----	LRTL,LRTR,LRTU,XRTL,XRTU
19	24860-ZV5-000	ARM COMP., LINK JOINT .....	1	1	1	1	-----	LRTD,LRTX,XRTD
			(1)	(1)	-	(1)	-----	LRTL,LRTR,LRTU,XRTL,XRTU
20	24865-ZV5-000	BRACKET, LINK JOINT .....	1	1	1	1	-----	LRTD,LRTX,XRTD
			(1)	(1)	-	(1)	-----	LRTL,LRTR,LRTU,XRTL,XRTU
21	24875-ZV5-000	WHEEL, ACCELERATOR .....	1	1	1	1	-----	LRTD,LRTX,XRTD
			(1)	(1)	-	(1)	-----	LRTL,LRTR,LRTU,XRTL,XRTU
22	24876-ZV5-000	SPRING, ACCELERATOR WHEEL ...	1	1	1	1	-----	LRTD,LRTX,XRTD
			(1)	(1)	-	(1)	-----	LRTL,LRTR,LRTU,XRTL,XRTU
23	24878-ZV5-000	LEVER, IDLE .....	1	1	1	1	-----	LRTD,LRTX,XRTD
			(1)	(1)	-	(1)	-----	LRTL,LRTR,LRTU,XRTL,XRTU
24	24881-ZV5-000	PLATE, SPRING SETTING .....	2	2	2	2	-----	LRTD,LRTX,XRTD
			(2)	(2)	-	(2)	-----	LRTL,LRTR,LRTU,XRTL,XRTU
25	24883-ZV5-000	SPRING, SHIFT CLICK .....	1	1	1	1	-----	LRTD,LRTX,XRTD
			(1)	(1)	-	(1)	-----	LRTL,LRTR,LRTU,XRTL,XRTU
26	24884-ZV5-000	SPRING, CHOKE RETURN .....	1	1	1	1	-----	LRTD,LRTX,XRTD
			(1)	(1)	-	(1)	-----	LRTL,LRTR,LRTU,XRTL,XRTU
27	24885-ZV5-000	SPACER, REMOTE CONTROL BOX ..	1	1	1	1	-----	LRTD,LRTX,XRTD
			(1)	(1)	-	(1)	-----	LRTL,LRTR,LRTU,XRTL,XRTU
28	24887-ZV5-000	SPACER, CLICK SPRING .....	1	1	1	1	-----	LRTD,LRTX,XRTD
			(1)	(1)	-	(1)	-----	LRTL,LRTR,LRTU,XRTL,XRTU
29	24891-ZV5-000	BLOCK, THROTTLE FRICTION ....	1	1	1	1	-----	LRTD,LRTX,XRTD
			(1)	(1)	-	(1)	-----	LRTL,LRTR,LRTU,XRTL,XRTU
30	24892-ZV5-000	BOLT, FRICTION .....	1	1	1	1	-----	LRTD,LRTX,XRTD
			(1)	(1)	-	(1)	-----	LRTL,LRTR,LRTU,XRTL,XRTU
31	24894-ZV5-000	SPACER, NEUTRAL SWITCH .....	1	1	1	1	-----	LRTD,LRTX,XRTD
			(1)	(1)	-	(1)	-----	LRTL,LRTR,LRTU,XRTL,XRTU
32	24895-ZV5-000	CLAMP, POWER TILT CORD .....	1	1	1	1	-----	LRTD,LRTX,XRTD
			(1)	(1)	-	(1)	-----	LRTL,LRTR,LRTU,XRTL,XRTU
33	24897-ZV5-000	PIPE, HARNESS GUIDE .....	1	1	1	1	-----	LRTD,LRTX,XRTD
			(1)	(1)	-	(1)	-----	LRTL,LRTR,LRTU,XRTL,XRTU
34	24898-ZV5-000	SPACER, CABLE CLAMP .....	1	1	1	1	-----	LRTD,LRTX,XRTD
			(1)	(1)	-	(1)	-----	LRTL,LRTR,LRTU,XRTL,XRTU
35	32530-ZZ5-000	CABLE ASSY., REMOTE CONTROL(B)	1	1	1	1	-----	LRTD,LRTX,XRTD
			(1)	(1)	-	(1)	-----	LRTL,LRTR,LRTU,XRTL,XRTU
36	32823-ZV5-003	PLUG, INNER CONNECTOR .....	7	7	7	7	-----	LRTD,LRTX,XRTD
			(7)	(7)	-	(7)	-----	LRTL,LRTR,LRTU,XRTL,XRTU
37	32824-ZV5-003	PLUG, OUTER CONNECTOR .....	1	1	1	1	-----	LRTD,LRTX,XRTD
			(1)	(1)	-	(1)	-----	LRTL,LRTR,LRTU,XRTL,XRTU
38	32901-952-770	TIE, CABLE(NATURAL)(2.4X92) -	1	1	1	1	-----	LRTD,LRTX,XRTD
			(1)	(1)	-	(1)	-----	LRTL,LRTR,LRTU,XRTL,XRTU



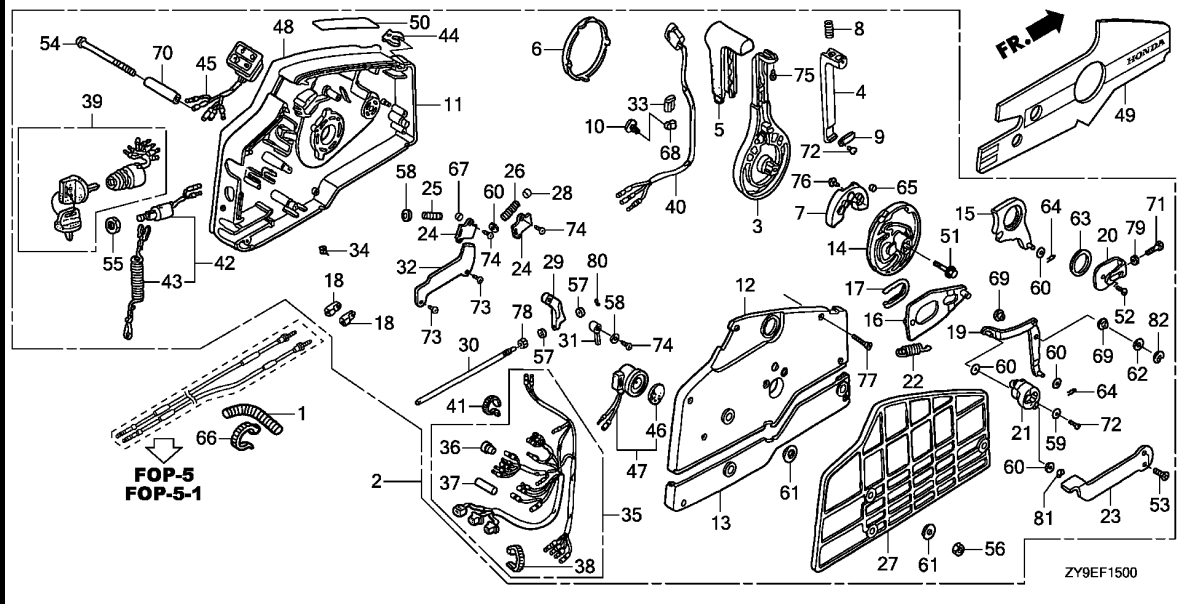


3

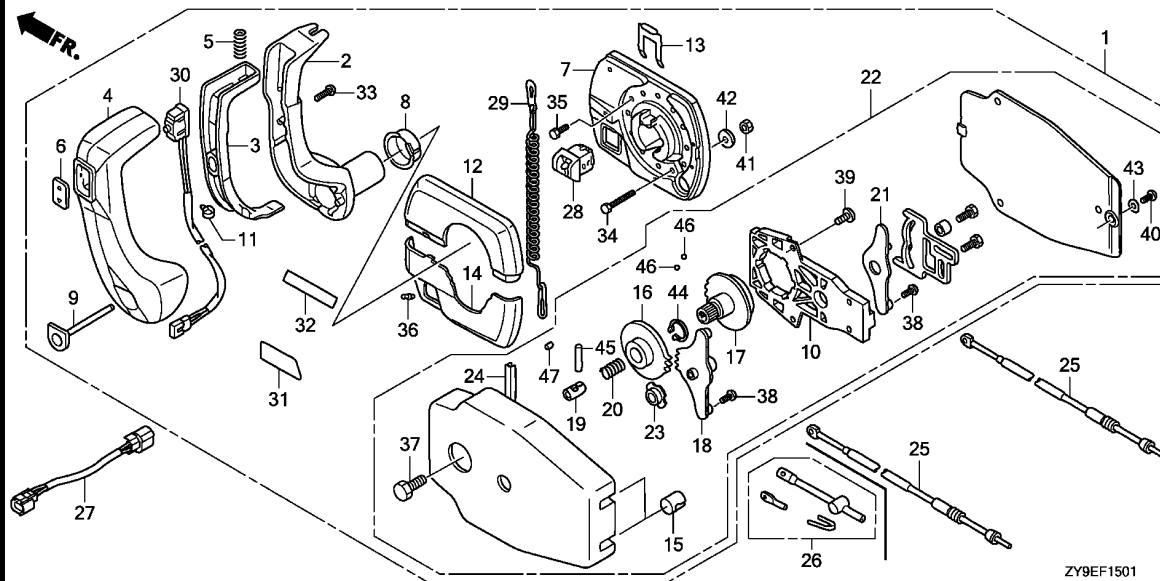
Ref. No.	Part No.	Description	Reqd. QTY				Serial No.	Parts catalogue code
			BF 75D K2	BF 90D K2	BF 75D K3	BF 90D K4		
39	35100-ZV5-013	SWITCH ASSY., COMBINATION ...	1	1	1	1	-----	LRTD,LRTX,XRTD
			(1)	(1)	-	(1)	-----	LRTL,LRTR,LRTU,XRTL,XRTU
40	35370-ZV5-823	SWITCH ASSY., POWER TRIM-TILT	1	1	1	1	-----	LRTD,LRTX,XRTD
			(1)	(1)	-	(1)	-----	LRTL,LRTR,LRTU,XRTL,XRTU
41	35701-MG9-950	BAND(BLACK 3.5X140) .....	1	1	1	1	-----	LRTD,LRTX,XRTD
			(1)	(1)	-	(1)	-----	LRTL,LRTR,LRTU,XRTL,XRTU
42	36180-ZV5-033	SWITCH ASSY., EMERGENCY STOP	1	1	1	1	-----	LRTD,LRTX,XRTD
			(1)	(1)	-	(1)	-----	LRTL,LRTR,LRTU,XRTL,XRTU
43	36182-ZV4-651	CORD COMP., EMERGENCY .....	1	1	1	1	-----	LRTD,LRTX,XRTD
			(1)	(1)	-	(1)	-----	LRTL,LRTR,LRTU,XRTL,XRTU
44	36187-ZV4-652	CLIP, EMERGENCY LOCK .....	1	1	1	1	-----	LRTD,LRTX,XRTD
			(1)	(1)	-	(1)	-----	LRTL,LRTR,LRTU,XRTL,XRTU
45	37210-ZZ5-013	LAMP ASSY., INDICATION .....	1	1	1	1	-----	LRTD,LRTX,XRTD
			(1)	(1)	-	(1)	-----	LRTL,LRTR,LRTU,XRTL,XRTU
46	38403-341-672	PLATE, WINKER BUZZER .....	1	1	1	1	-----	LRTD,LRTX,XRTD
			(1)	(1)	-	(1)	-----	LRTL,LRTR,LRTU,XRTL,XRTU
47	38410-ZV5-003	BUZZER COMP., WARNING .....	1	1	1	1	-----	LRTD,LRTX,XRTD
			(1)	(1)	-	(1)	-----	LRTL,LRTR,LRTU,XRTL,XRTU
48	87701-ZZ5-020	PLATE, REMOTE CONTROL (COUTION COLOR=RED & YELLOW)	1	1	1	1	-----	LRTD,LRTX,XRTD
			(1)	(1)	-	(1)	-----	LRTL,XRTL
	87701-ZZ5-780	PLATE, REMOTE CONTROL(EU) ...	(1)	(1)	-	(1)	-----	LRTR,LRTU,XRTU
49	87701-ZZ5-790	PLATE, REMOTE CONTROL(REVERSE)	1	1	(1)	(1)	-----	LRTD,LRTL,LRTR,LRTU,LRTX,XRTD,XRTL,XRTU
50	87702-ZW9-800	MARK, FAST IDLE .....	1	1	1	1	-----	LRTD,LRTX,XRTD
			(1)	(1)	-	(1)	-----	LRTL,LRTR,LRTU,XRTL,XRTU

Ref. No.	Part No.	Description	Reqd. QTY				Serial No.	Parts catalogue code
			BF 75D K2	BF 90D K2	BF 75D K3	BF 90D K4		
51	90008-ZW9-000	BOLT, FLANGE, 8X35 .....	1	1	1	1	-----	LRTD,LRTX,XRTD
			(1)	(1)	-	(1)	-----	LRTL,LRTR,LRTU,XRTL,XRTU
52	90105-MM4-000	SCREW, PAN, 6X10 .....	1	1	1	1	-----	LRTD,LRTX,XRTD
			(1)	(1)	-	(1)	-----	LRTL,LRTR,LRTU,XRTL,XRTU
53	90108-ZW4-000	SCREW, FLAT, 5X12 .....	2	2	2	2	-----	LRTD,LRTX,XRTD
			(2)	(2)	-	(2)	-----	LRTL,LRTR,LRTU,XRTL,XRTU
54	90125-ZV5-000	SCREW, 6X95 .....	3	3	3	3	-----	LRTD,LRTX,XRTD
			(3)	(3)	-	(3)	-----	LRTL,LRTR,LRTU,XRTL,XRTU
55	90302-921-000	NUT, HEX., 16MM .....	1	1	1	1	-----	LRTD,LRTX,XRTD
			(1)	(1)	-	(1)	-----	LRTL,LRTR,LRTU,XRTL,XRTU
56	90304-ZV4-000	NUT, HEX., 6MM .....	3	3	3	3	-----	LRTD,LRTX,XRTD
			(3)	(3)	-	(3)	-----	LRTL,LRTR,LRTU,XRTL,XRTU
57	90401-ZW4-000	WASHER, PLAIN, 4MM .....	2	2	2	2	-----	LRTD,LRTX,XRTD
			(2)	(2)	-	(2)	-----	LRTL,LRTR,LRTU,XRTL,XRTU
58	90402-ZW4-000	WASHER, PLAIN, 5MM .....	2	2	2	2	-----	LRTD,LRTX,XRTD
			(2)	(2)	-	(2)	-----	LRTL,LRTR,LRTU,XRTL,XRTU
59	90502-ZV4-000	WASHER, PLAIN, 5MM .....	1	1	1	1	-----	LRTD,LRTX,XRTD
			(1)	(1)	-	(1)	-----	LRTL,LRTR,LRTU,XRTL,XRTU
60	90504-921-010	WASHER, PLAIN, 6MM .....	5	5	5	5	-----	LRTD,LRTX,XRTD
			(5)	(5)	-	(5)	-----	LRTL,LRTR,LRTU,XRTL,XRTU
61	90512-921-010	WASHER, 6MM .....	6	6	6	6	-----	LRTD,LRTX,XRTD
			(6)	(6)	-	(6)	-----	LRTL,LRTR,LRTU,XRTL,XRTU
62	90518-921-000	WASHER, PLAIN, 8MM .....	1	1	1	1	-----	LRTD,LRTX,XRTD
			(1)	(1)	-	(1)	-----	LRTL,LRTR,LRTU,XRTL,XRTU
63	90557-ZV5-000	WASHER, 28MM .....	1	1	1	1	-----	LRTD,LRTX,XRTD
			(1)	(1)	-	(1)	-----	LRTL,LRTR,LRTU,XRTL,XRTU
64	90751-ZV5-000	PIN, LOCK, 6MM .....	2	2	2	2	-----	LRTD,LRTX,XRTD
			(2)	(2)	-	(2)	-----	LRTL,LRTR,LRTU,XRTL,XRTU
65	90772-ZV5-000	PIN, 6X6 .....	1	1	1	1	-----	LRTD,LRTX,XRTD
			(1)	(1)	-	(1)	-----	LRTL,LRTR,LRTU,XRTL,XRTU
66	91058-MG9-681	BAND, SELF LOCK .....	(2)	(2)	(2)	(2)		
67	91151-ZV5-000	ROLLER, CLICK .....	1	1	1	1	-----	LRTD,LRTX,XRTD
			(1)	(1)	-	(1)	-----	LRTL,LRTR,LRTU,XRTL,XRTU
68	91475-SB6-000	CLIP, WIRE HARNESS(6.3MM) ...	1	1	1	1	-----	LRTD,LRTX,XRTD
			(1)	(1)	-	(1)	-----	LRTL,LRTR,LRTU,XRTL,XRTU
69	91567-ZV5-000	COLLAR, LINK JOINT .....	2	2	2	2	-----	LRTD,LRTX,XRTD
			(2)	(2)	-	(2)	-----	LRTL,LRTR,LRTU,XRTL,XRTU
70	91570-ZV5-000	COLLAR, DISTANCE, 6X10X43.5 -	3	3	3	3	-----	LRTD,LRTX,XRTD
			(3)	(3)	-	(3)	-----	LRTL,LRTR,LRTU,XRTL,XRTU
71	92101-05016-4J	BOLT, HEX., 5X16 .....	1	1	1	1	-----	LRTD,LRTX,XRTD
			(1)	(1)	-	(1)	-----	LRTL,LRTR,LRTU,XRTL,XRTU
72	93500-05010-4J	SCREW, PAN, 5X10 .....	2	2	2	2	-----	LRTD,LRTX,XRTD
			(2)	(2)	-	(2)	-----	LRTL,LRTR,LRTU,XRTL,XRTU
73	93901-250J0	SCREW, TAPPING, 5X8 .....	2	2	2	2	-----	LRTD,LRTX,XRTD
			(2)	(2)	-	(2)	-----	LRTL,LRTR,LRTU,XRTL,XRTU
74	93901-251J0	SCREW, TAPPING, 5X10 .....	3	3	3	3	-----	LRTD,LRTX,XRTD
			(3)	(3)	-	(3)	-----	LRTL,LRTR,LRTU,XRTL,XRTU
75	93901-252J0	SCREW, TAPPING, 5X12 .....	1	1	1	1	-----	LRTD,LRTX,XRTD
			(1)	(1)	-	(1)	-----	LRTL,LRTR,LRTU,XRTL,XRTU
76	93903-262J0	SCREW, TAPPING, 6X16 .....	2	2	2	2	-----	LRTD,LRTX,XRTD
			(2)	(2)	-	(2)	-----	LRTL,LRTR,LRTU,XRTL,XRTU
77	93905-255J0	SCREW, TAPPING, 5X25 .....	7	7	7	7	-----	LRTD,LRTX,XRTD
			(7)	(7)	-	(7)	-----	LRTL,LRTR,LRTU,XRTL,XRTU



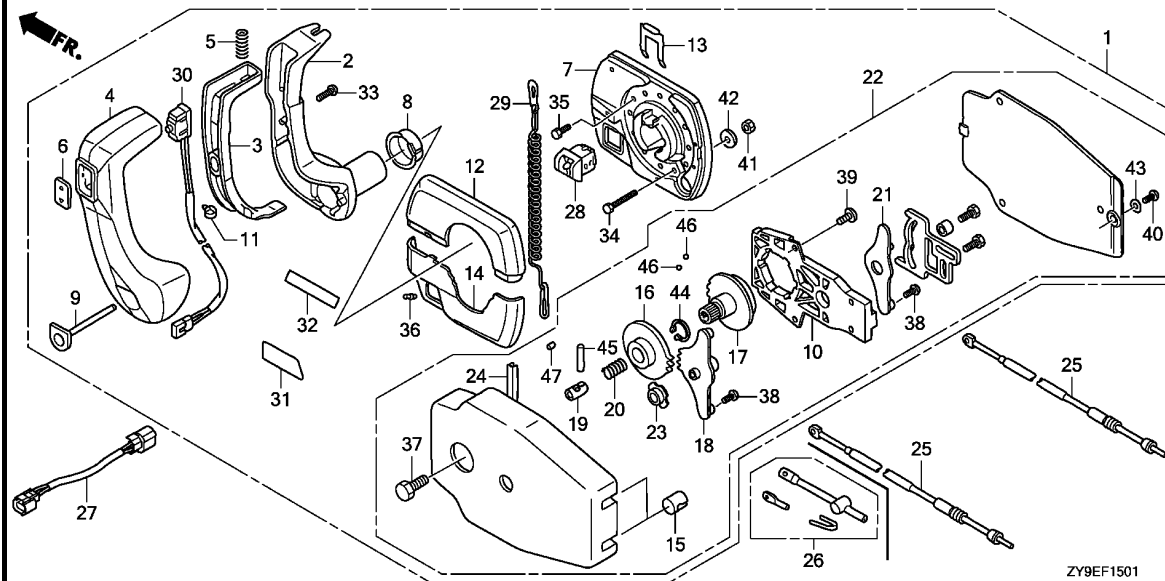


Ref. No.	Part No.	Description	Reqd. QTY				Serial No.	Parts catalogue code
			BF 75D K2	BF 90D K2	BF 75D K3	BF 90D K4		
78	94001-06490-0S	NUT, HEX., 6MM .....	1	1	1	1	-----	LRTD,LRTX,XRTD
			(1)	(1)	-	(1)	-----	LRTL,LRTR,LRTU,XRTL,XRTU
79	94002-05490-0S	NUT, HEX., 5MM .....	1	1	1	1	-----	LRTD,LRTX,XRTD
			(1)	(1)	-	(1)	-----	LRTL,LRTR,LRTU,XRTL,XRTU
80	94540-03029	E-RING, 3MM .....	1	1	1	1	-----	LRTD,LRTX,XRTD
			(1)	(1)	-	(1)	-----	LRTL,LRTR,LRTU,XRTL,XRTU
81	94540-04029	E-RING, 4MM .....	1	1	1	1	-----	LRTD,LRTX,XRTD
			(1)	(1)	-	(1)	-----	LRTL,LRTR,LRTU,XRTL,XRTU
82	94540-07029	E-RING, 7MM .....	1	1	1	1	-----	LRTD,LRTX,XRTD
			(1)	(1)	-	(1)	-----	LRTL,LRTR,LRTU,XRTL,XRTU



Ref. No.	L.O.N.	(Relative ref. Number) Description	F.R.T.
10	6221L3	FRAME, REMOTE CONTROL BOX ....	0.3
17	6221L5	SHAFT, INNER HOUSING HANDLE ..	0.3
18	8101A6	ARM, SHIFT LINK .....	0.3
28	6151H6	SWITCH, EMERGENCY STOP (PANEL MOUNT) .....	0.2
30	6161E3	SWITCH, POWER TRIM-TILT (PANEL MOUNT) .....	0.2

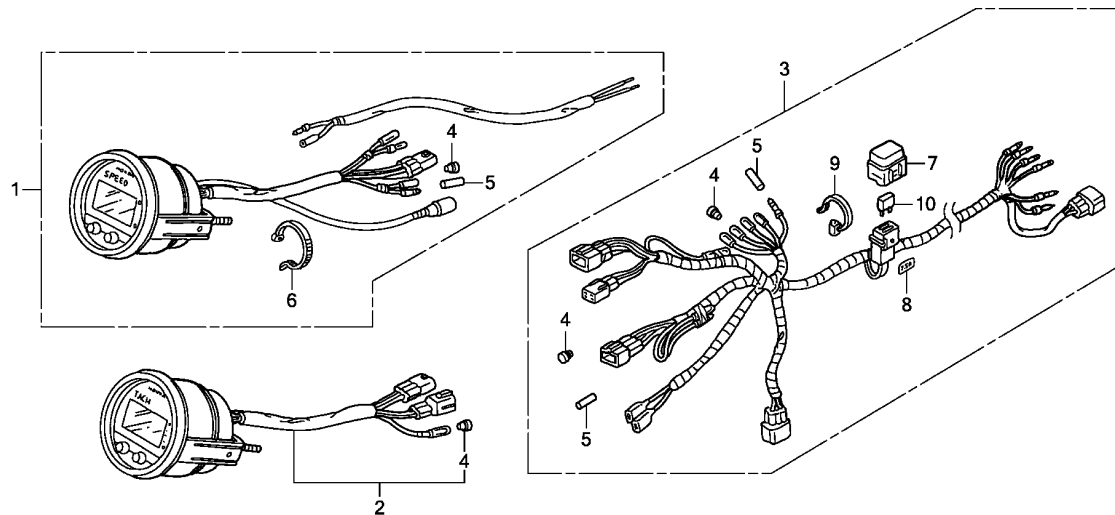
Ref. No.	Part No.	Description	Reqd. QTY				Serial No.	Parts catalogue code
			BF 75D K2	BF 90D K2	BF 75D K3	BF 90D K4		
1	24800-ZW1-V21	BOX ASSY., REMOTE CONTROL (PANEL MOUNT)	(1)	(1)	(1)	(1)		
2	24811-ZW1-V21	HANDLE, REMOTE CONTROL .....	(1)	(1)	(1)	(1)		
3	24812-ZW1-V21	LEVER, HANDLE LOCK .....	(1)	(1)	(1)	(1)		
4	24813-ZW1-V21	GRIP, REMOTE CONTROL HANDLE ..	(1)	(1)	(1)	(1)		
5	24816-ZW1-V21	SPRING, REMOTE CONTROL HANDLE	(1)	(1)	(1)	(1)		
6	24819-ZW1-V21	COVER, GRIP .....	(1)	(1)	(1)	(1)		
7	24820-ZW1-V21	HOUSING ASSY., REMOTE CONTROL BOX(A)	(1)	(1)	(1)	(1)		
8	24821-ZW1-003	BUSHING .....	(1)	(1)	(1)	(1)		
9	24822-ZW1-V21	BUTTON, THROTTLE .....	(1)	(1)	(1)	(1)		
10	24825-ZW1-V01	FRAME ASSY., REMOTE CONTROL BOX	(1)	(1)	(1)	(1)		
11	24829-ZW1-003	BAND, CABLE(B) .....	(1)	(1)	(1)	(1)		
12	24830-ZW1-V21	HOUSING, REMOTE CONTROL BOX(B)	(1)	(1)	(1)	(1)		
13	24834-ZW1-003	RETAINER .....	(1)	(1)	(1)	(1)		
14	24836-ZW1-V21	HOUSING, REMOTE CONTROL BOX(C)	(1)	(1)	(1)	(1)		
15	24839-ZW1-V01	GROMMET .....	(2)	(2)	(2)	(2)		
16	24841-ZW1-V01	WHEEL, CONTROL .....	(1)	(1)	(1)	(1)		
17	24843-ZW1-V01	SHAFT, HANDLE .....	(1)	(1)	(1)	(1)		
18	24845-ZW1-V01	ARM ASSY., SHIFT LINK .....	(1)	(1)	(1)	(1)		
19	24847-ZW1-V01	SHAFT, GEAR SHIFT .....	(1)	(1)	(1)	(1)		
20	24848-ZW1-V01	SPRING, GEAR SHIFT .....	(1)	(1)	(1)	(1)		
21	24865-ZW1-V01	ARM ASSY., THROTTLE LINK ....	(1)	(1)	(1)	(1)		



Ref. No.	Part No.	Description	Reqd. QTY				Serial No.	Parts catalogue code
			BF 75D K2	BF 90D K2	BF 75D K3	BF 90D K4		
22	24870-ZW1-V21	HOUSING ASSY., INNER (PANEL MOUNT)	(1)	(1)	(1)	(1)		
23	24873-ZW1-V01	BUSH .....	(1)	(1)	(1)	(1)		
24	24883-ZW1-V01	SPRING, SHIFT CLICK .....	(5)	(5)	(5)	(5)		
25	24911-ZW1-003	CABLE COMP., REMOTE CONTROL (10'')(BRUNSWICK)	(2)	(2)	(2)	(2)		
	24911-ZW1-V00	CABLE COMP., REMOTE CONTROL (10'')(TELEFLEX)	(2)	(2)	(2)	(2)		
	24912-ZW1-003	CABLE COMP., REMOTE CONTROL (11'')(BRUNSWICK)	(2)	(2)	(2)	(2)		
	24912-ZW1-V00	CABLE COMP., REMOTE CONTROL (11'')(TELEFLEX)	(2)	(2)	(2)	(2)		
	24913-ZW1-003	CABLE COMP., REMOTE CONTROL (12'')(BRUNSWICK)	(2)	(2)	(2)	(2)		
	24913-ZW1-V00	CABLE COMP., REMOTE CONTROL (12'')(TELEFLEX)	(2)	(2)	(2)	(2)		
	24914-ZW1-003	CABLE COMP., REMOTE CONTROL (13'')(BRUNSWICK)	(2)	(2)	(2)	(2)		
	24914-ZW1-V00	CABLE COMP., REMOTE CONTROL (13'')(TELEFLEX)	(2)	(2)	(2)	(2)		
	24915-ZW1-003	CABLE COMP., REMOTE CONTROL (14'')(BRUNSWICK)	(2)	(2)	(2)	(2)		
	24915-ZW1-V00	CABLE COMP., REMOTE CONTROL (14'')(TELEFLEX)	(2)	(2)	(2)	(2)		
	24916-ZW1-003	CABLE COMP., REMOTE CONTROL (15'')(BRUNSWICK)	(2)	(2)	(2)	(2)		
	24916-ZW1-V00	CABLE COMP., REMOTE CONTROL (15'')(TELEFLEX)	(2)	(2)	(2)	(2)		

Ref. No.	Part No.	Description	Reqd. QTY				Serial No.	Parts catalogue code
			BF 75D K2	BF 90D K2	BF 75D K3	BF 90D K4		
25)	24917-ZW1-003	CABLE COMP., REMOTE CONTROL (16'')(BRUNSWICK)	(2)	(2)	(2)	(2)		
	24917-ZW1-V00	CABLE COMP., REMOTE CONTROL (16'')(TELEFLEX)	(2)	(2)	(2)	(2)		
	24918-ZW1-003	CABLE COMP., REMOTE CONTROL (17'')(BRUNSWICK)	(2)	(2)	(2)	(2)		
	24918-ZW1-V00	CABLE COMP., REMOTE CONTROL (17'')(TELEFLEX)	(2)	(2)	(2)	(2)		
	24919-ZW1-003	CABLE COMP., REMOTE CONTROL (18'')(BRUNSWICK)	(2)	(2)	(2)	(2)		
	24919-ZW1-V00	CABLE COMP., REMOTE CONTROL (18'')(TELEFLEX)	(2)	(2)	(2)	(2)		
	24920-ZW1-003	CABLE COMP., REMOTE CONTROL (19'')(BRUNSWICK)	(2)	(2)	(2)	(2)		
	24920-ZW1-V00	CABLE COMP., REMOTE CONTROL (19'')(TELEFLEX)	(2)	(2)	(2)	(2)		
	24921-ZW1-003	CABLE COMP., REMOTE CONTROL (20'')(BRUNSWICK)	(2)	(2)	(2)	(2)		
	24921-ZW1-V00	CABLE COMP., REMOTE CONTROL (20'')(TELEFLEX)	(2)	(2)	(2)	(2)		
26	24931-ZW1-V00	ADAPTER, REMOCON CABLE .....	(2)	(2)	(2)	(2)		
27	32167-ZW5-650	HARNESS ASSY., POWER TRIM-TILT	(1)	(1)	(1)	(1)		
28	35180-ZW1-003	SWITCH ASSY., EMERGENCY STOP	(1)	(1)	(1)	(1)		
29	35182-ZW1-003	CORD COMP., EMERGENCY .....	(1)	(1)	(1)	(1)		
30	35370-ZW1-V01	SWITCH ASSY., POWER TRIM-TILT (A)	(1)	(1)	(1)	(1)		
31	87705-ZW1-003	MARK, REMOTE CONTROL(A)(PANEL)	(1)	(1)	(1)	(1)		
32	87706-ZW1-003	MARK, REMOTE CONTROL(B) (FOR STARBOARD)	(1)	(1)	(1)	(1)		
	87707-ZW1-003	MARK, REMOTE CONTROL(C) (FOR PORT)	(1)	(1)	(1)	(1)		
33	90136-ZW1-003	SCREW A .....	(1)	(1)	(1)	(1)		
34	90137-ZW1-003	SCREW B .....	(3)	(3)	(3)	(3)		
35	90138-ZW1-003	SCREW C .....	(3)	(3)	(3)	(3)		
36	90139-ZW1-003	SCREW, FRICTION .....	(1)	(1)	(1)	(1)		
37	90140-ZW1-003	BOLT .....	(1)	(1)	(1)	(1)		
38	90142-ZW1-003	SCREW(8-32X3/8) .....	(2)	(2)	(2)	(2)		
39	90143-ZW1-003	SCREW(10-32X3/8) .....	(4)	(4)	(4)	(4)		
40	90145-ZW1-003	SCREW(10-32X5/8) .....	(3)	(3)	(3)	(3)		
41	90314-ZW1-003	NUT(1/4X20) .....	(3)	(3)	(3)	(3)		
42	90551-ZW1-003	WASHER .....	(3)	(3)	(3)	(3)		
43	90552-ZW1-003	WASHER .....	(1)	(1)	(1)	(1)		
44	90653-ZW1-003	CIRCLIP, EXTERNAL .....	(1)	(1)	(1)	(1)		
45	90753-ZW1-003	PIN, GEARSHIFT .....	(1)	(1)	(1)	(1)		
46	90953-ZW1-003	BALL, STEEL .....	(2)	(2)	(2)	(2)		
47	91553-ZW1-003	ROLLER, SHIFT CLICK .....	(1)	(1)	(1)	(1)		





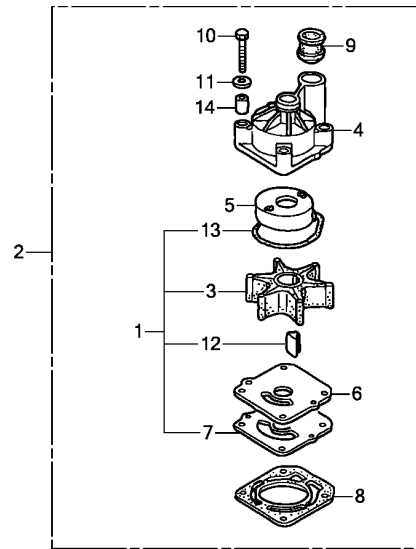
ZY9EY0100

Ref. L.O.N. (Relative ref. Number) F.R.T.  
No. Description

NO INFORMATION .....

3

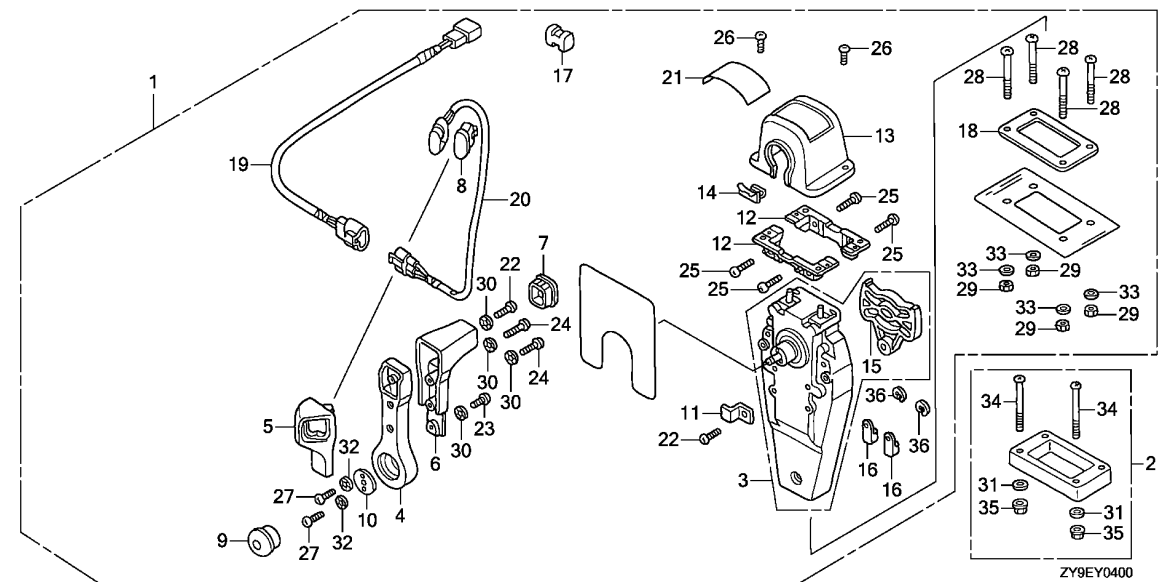
Ref. No.	Part No.	Description	Reqd. QTY				Serial No.	Parts catalogue code
			BF 75D K2	BF 90D K2	BF 75D K3	BF 90D K4		
1	06373-ZY3-801	SPEEDOMETER KIT(DIGITAL)(USA)	(1)	(1)	-	-		
2	06375-ZY3-812	METER KIT, TACHO(DIGITAL) (USE FOR 32540-ZY3-802)	(1)	(1)	-	-		
3	32540-ZZ3-740	HARNESS ASSY., METER(A) (DIGITAL)	(1)	(1)	-	-		
4	32823-ZV5-003	PLUG, INNER CONNECTOR .....	(9)	(9)	-	-		
5	32824-ZV5-003	PLUG, OUTER CONNECTOR .....	(4)	(4)	-	-		
6	35701-MG9-950	BAND(BLACK 3.5X140) .....	(3)	(3)	-	-		
7	38216-ZY3-801	COVER ASSY., FUSE(7.5A) .....	(1)	(1)	-	-		
8	87117-ZY3-800	MARK, FUSE(7.5A) .....	(1)	(1)	-	-		
9	90650-ZY1-003	TIE, CABLE .....	(1)	(1)	-	-		
10	98200-30750	FUSE, BLADE(7.5A) .....	(2)	(2)	-	-		



ZY9EY0300

Ref. No.	L.O.N.	(Relative ref. Number) Description	F.R.T.
3	1141B9	IMPELLER, PUMP .....	0.9
4	1141B6	HOUSING, IMPELLER .....	0.9
6	1141A3	COVER, IMPELLER .....	0.9
7	1141F2	GASKET B, IMPELLER .....	0.9
8	1141K1	GASKET, WATER PUMP .....	0.9

Ref. No.	Part No.	Description	Reqd. QTY				Serial No.	Parts catalogue code
			BF 75D K2	BF 90D K2	BF 75D K3	BF 90D K4		
1	06192-ZW1-000	PUMP KIT, IMPELLER .....	(1)	(1)	-	-		
	06192-ZY9-H00	.....	-	-	(1)	(1)		
2	06193-ZZ0-000	PUMP KIT, IMPELLER .....	(1)	(1)	-	-		
	06193-ZY9-H00	.....	-	-	(1)	(1)		
3	19210-ZW1-B04	IMPELLER, PUMP .....	(1)	(1)	-	-		
	19210-ZY9-H01	.....	-	-	(1)	(1)		
4	19221-ZY6-000	HOUSING, IMPELLER .....	(1)	(1)	-	-		
	19221-ZY9-H00	.....	-	-	(1)	(1)		
5	19223-ZW1-B00	LINER, PUMP .....	(1)	(1)	-	-		
	19223-ZY9-H00	.....	-	-	(1)	(1)		
6	19231-ZY6-000	COVER, IMPELLER .....	(1)	(1)	-	-		
	19231-ZY9-H00	.....	-	-	(1)	(1)		
7	19234-ZW1-B00	GASKET B, IMPELLER .....	(1)	(1)	(1)	(1)		
8	19242-ZW1-B00	GASKET, WATER PUMP .....	(1)	(1)	(1)	(1)		
9	19253-ZW1-B01	RING, WATER TUBE SEAL .....	(1)	(1)	(1)	(1)		
10	90010-ZV5-000	BOLT, HEX., 8X55 .....	(4)	(4)	(4)	(4)		
11	90514-921-000	WASHER, 8MM .....	(4)	(4)	(4)	(4)		
12	90752-ZW1-B02	KEY, WOODRUFF .....	(1)	(1)	(1)	(1)		
13	91356-ZW1-B00	O-RING, WATER PUMP .....	(1)	(1)	(1)	(1)		
14	91552-ZY6-000	COLLAR, DISTANCE .....	(4)	(4)	(4)	(4)		

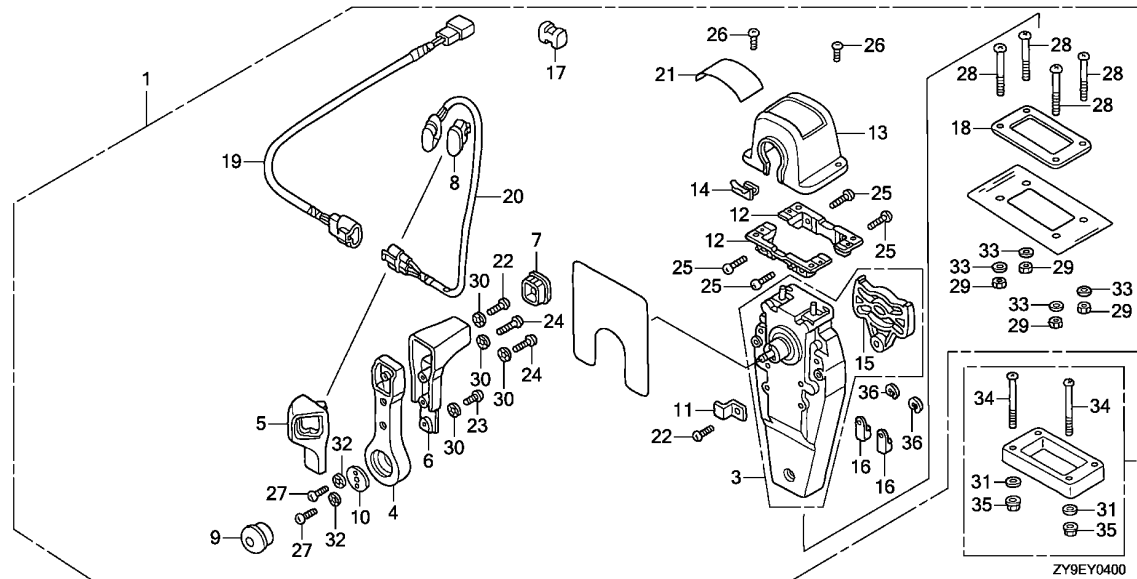


Ref. No.	L.O.N.	(Relative ref. Number) Description	F.R.T.
2	6221L9	SPACER, REMOTE CONTROL BOX (TOP MOUNT) .....	0.1
3	6221C0	HOUSING, INNER(TOP MOUNT) ....	0.3
12	6221L8	BRACKET, REMOTE CONTROL HOUSING(TOP MOUNT) .....	0.1
13	6221L6	HOUSING, REMOTE CONTROL BOX (TOP MOUNT) .....	0.1
19	6111G9	SUB HARNESS, POWER TRIM-TILT (TOP MOUNT) .....	0.1
20	6161E0	SWITCH, POWER TRIM-TILT (TOP MOUNT) .....	0.2

ZY9EY0400

3

Ref. No.	Part No.	Description	Reqd. QTY				Serial No.	Parts catalogue code
			BF 75D K2	BF 90D K2	BF 75D K3	BF 90D K4		
1	06240-ZW5-U40	BOX KIT, REMOTE CONTROL (TOP MOUNT SINGLE)(R.)	(1)	(1)	(1)	(1)		
2	06241-ZW5-U00	SPACER KIT, REMOTE CONTROL BOX (TOP MOUNT SINGLE)	(1)	(1)	(1)	(1)		
3	24810-ZW5-U01	HOUSING ASSY., L. INNER (TOP MOUNT)	(1)	(1)	(1)	(1)		
4	24811-ZW5-U01	HANDLE, REMOTE CONTROL .....	(1)	(1)	(1)	(1)		
5	24812-ZW5-U01	COVER, L. GRIP .....	(1)	(1)	(1)	(1)		
6	24813-ZW5-U01	GRIP, REMOTE CONTROL HANDLE ..	(1)	(1)	(1)	(1)		
7	24814-ZW5-U01	CAP, GRIP .....	(1)	(1)	(1)	(1)		
8	24815-ZW5-U01	CAP, SWITCH .....	(1)	(1)	(1)	(1)		
9	24816-ZW5-U01	BUTTON, THROTTLE .....	(1)	(1)	(1)	(1)		
10	24817-ZW5-U01	PLATE, HANDLE .....	(1)	(1)	(1)	(1)		
11	24818-ZW5-U01	PLATE, CABLE CLAMP .....	(1)	(1)	(1)	(1)		
12	24819-ZW5-U01	BRACKET, REMOTE CONTROL HOUSING	(2)	(2)	(2)	(2)		
13	24820-ZW5-U01	HOUSING COMP., REMOTE CONTROL BOX	(1)	(1)	(1)	(1)		
14	24825-ZW5-U01	HOUSING, LEAD .....	(1)	(1)	(1)	(1)		
15	24826-ZW5-U01	PLATE, DWELL .....	(1)	(1)	(1)	(1)		
16	24831-ZW5-U01	TERMINAL, CABLE .....	(2)	(2)	(2)	(2)		
17	24832-ZW5-U01	SPACER, CABLE CLAMP .....	(1)	(1)	(1)	(1)		
18	24834-ZW5-U01	PACKING, SINGLE .....	(1)	(1)	(1)	(1)		
19	32530-ZW7-U00	SUB HARNESS ASSY., POWER TRIM-TILT(A)	(1)	(1)	(1)	(1)		



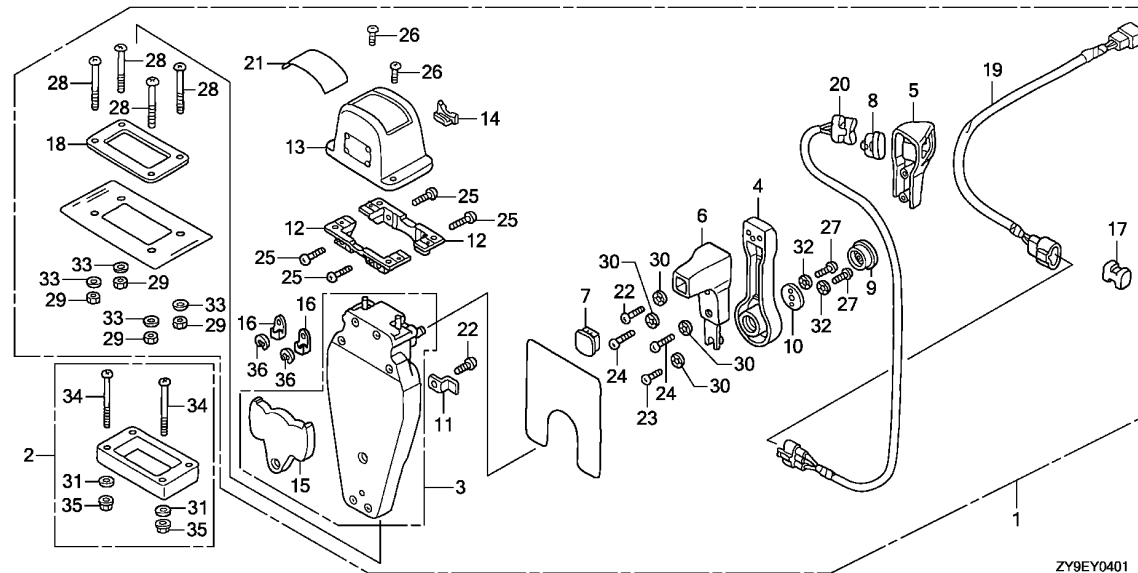
ZY9EY0400

Ref. No.	Part No.	Description	Reqd. QTY				Serial No.	Parts catalogue code
			BF 75D K2	BF 90D K2	BF 75D K3	BF 90D K4		
20	35370-ZW5-U02	SWITCH ASSY., POWER TRIM-TILT (A)	(1)	(1)	(1)	(1)		
21	87703-ZW5-U02	MARK, REMOTE CONTROL(SINGLE)	(1)	(1)	(1)	(1)		
22	90101-ZW5-U00	SCREW, PAN, 5X16	(2)	(2)	(2)	(2)		
23	90102-ZW5-U00	SCREW, PAN, 5X10	(1)	(1)	(1)	(1)		
24	90103-ZW5-U01	SCREW, PAN, 5X20	(2)	(2)	(2)	(2)		
25	90104-ZW5-U00	SCREW, PAN, 5X18	(4)	(4)	(4)	(4)		
26	90105-ZW5-U01	SCREW, PAN, 4X10	(2)	(2)	(2)	(2)		
27	90106-ZW5-U00	SCREW, PAN, 6X18	(2)	(2)	(2)	(2)		
28	90107-ZW5-U00	SCREW, PAN, 5X40	(4)	(4)	(4)	(4)		
29	90301-ZW5-U00	NUT, HEX., 5MM	(4)	(4)	(4)	(4)		
30	90501-ZW5-U00	WASHER, LOCK, 5MM	(4)	(4)	(4)	(4)		
31	90502-ZV4-000	WASHER, PLAIN, 5MM	(4)	(4)	(4)	(4)		
32	90502-ZW5-U00	WASHER, LOCK, 6MM	(2)	(2)	(2)	(2)		
33	90503-ZW5-U00	WASHER, PLAIN, 5MM	(4)	(4)	(4)	(4)		
34	93500-05065-4J	SCREW, PAN, 5X65	(4)	(4)	(4)	(4)		
35	94001-05490-0S	NUT, HEX., 5MM	(4)	(4)	(4)	(4)		
36	94540-06029	E-RING, 6MM	(2)	(2)	(2)	(2)		

# FOP-4-1

# REMOTE CONTROL(TOP MOUNT SINGLE TYPE)(LEFT)

16

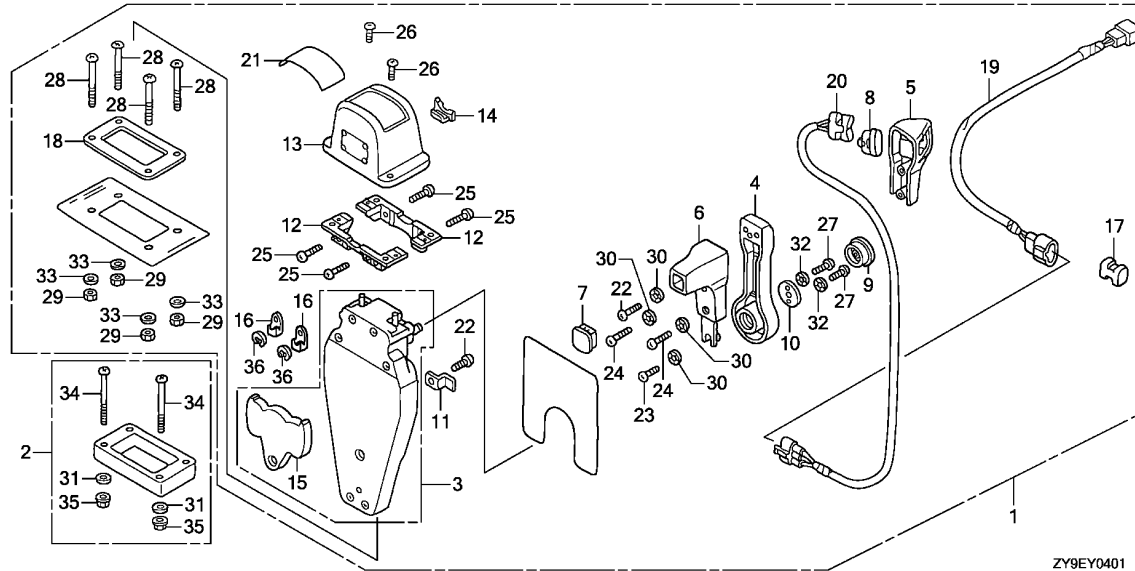


ZY9EY0401

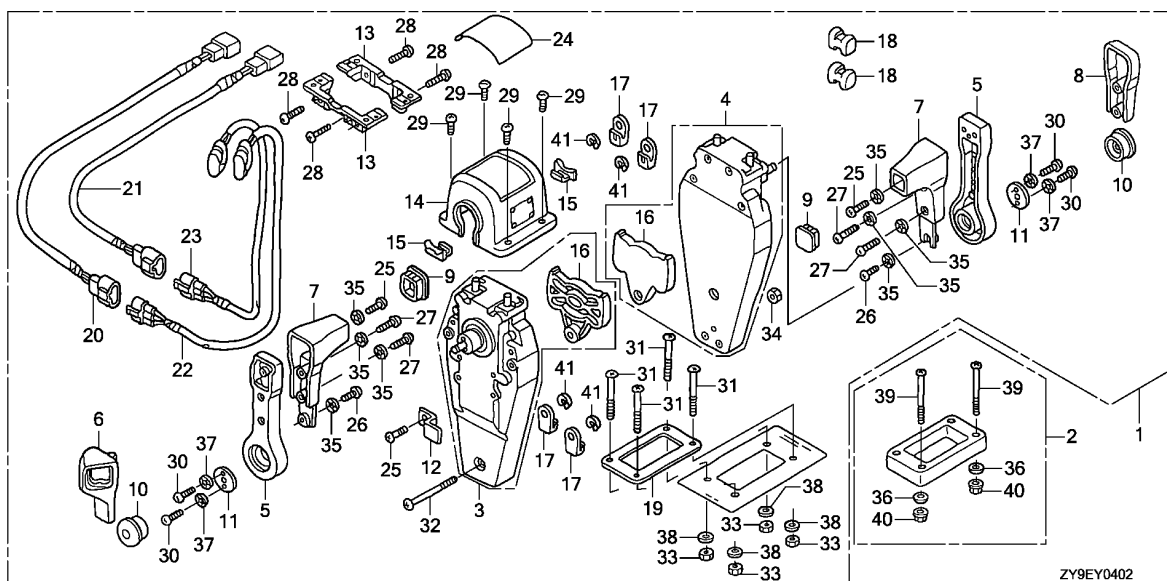
Ref. No.	L.O.N.	(Relative ref. Number) Description	F.R.T.
2	6221L9	SPACER, REMOTE CONTROL BOX (TOP MOUNT) .....	0.1
3	6221C0	HOUSING, INNER(TOP MOUNT) ....	0.3
12	6221L8	BRACKET, REMOTE CONTROL HOUSING(TOP MOUNT) .....	0.1
13	6221L6	HOUSING, REMOTE CONTROL BOX (TOP MOUNT) .....	0.1
19	6111G9	SUB HARNESS, POWER TRIM-TILT (TOP MOUNT) .....	0.1
20	6161E0	SWITCH, POWER TRIM-TILT (TOP MOUNT) .....	0.2

3

Ref. No.	Part No.	Description	Reqd. QTY				Serial No.	Parts catalogue code
			BF 75D K2	BF 90D K2	BF 75D K3	BF 90D K4		
1	06240-ZW5-U50	BOX KIT, REMOTE CONTROL (TOP MOUNT SINGLE)(L.)	(1)	(1)	(1)	(1)		
2	06241-ZW5-U00	SPACER KIT, REMOTE CONTROL BOX (TOP MOUNT SINGLE)	(1)	(1)	(1)	(1)		
3	24810-ZW5-U11	HOUSING ASSY., R. INNER (TOP MOUNT)	(1)	(1)	(1)	(1)		
4	24811-ZW5-U01	HANDLE, REMOTE CONTROL .....	(1)	(1)	(1)	(1)		
5	24812-ZW5-U11	COVER, R. GRIP .....	(1)	(1)	(1)	(1)		
6	24813-ZW5-U01	GRIP, REMOTE CONTROL HANDLE ..	(1)	(1)	(1)	(1)		
7	24814-ZW5-U01	CAP, GRIP .....	(1)	(1)	(1)	(1)		
8	24815-ZW5-U01	CAP, SWITCH .....	(1)	(1)	(1)	(1)		
9	24816-ZW5-U01	BUTTON, THROTTLE .....	(1)	(1)	(1)	(1)		
10	24817-ZW5-U01	PLATE, HANDLE .....	(1)	(1)	(1)	(1)		
11	24818-ZW5-U01	PLATE, CABLE CLAMP .....	(1)	(1)	(1)	(1)		
12	24819-ZW5-U01	BRACKET, REMOTE CONTROL HOUSING	(2)	(2)	(2)	(2)		
13	24820-ZW5-U01	HOUSING COMP., REMOTE CONTROL BOX	(1)	(1)	(1)	(1)		
14	24825-ZW5-U01	HOUSING, LEAD .....	(1)	(1)	(1)	(1)		
15	24826-ZW5-U01	PLATE, DWELL .....	(1)	(1)	(1)	(1)		
16	24831-ZW5-U01	TERMINAL, CABLE .....	(2)	(2)	(2)	(2)		
17	24832-ZW5-U01	SPACER, CABLE CLAMP .....	(1)	(1)	(1)	(1)		
18	24834-ZW5-U01	PACKING, SINGLE .....	(1)	(1)	(1)	(1)		
19	32530-ZW7-U10	SUB HARNESS ASSY., POWER TRIM-TILT(B)	(1)	(1)	(1)	(1)		



Ref. No.	Part No.	Description	Reqd. QTY				Serial No.	Parts catalogue code
			BF 75D K2	BF 90D K2	BF 75D K3	BF 90D K4		
20	35370-ZW5-U12	SWITCH ASSY., POWER TRIM-TILT (B)	(1)	(1)	(1)	(1)		
21	87703-ZW5-U02	MARK, REMOTE CONTROL(SINGLE)	(1)	(1)	(1)	(1)		
22	90101-ZW5-U00	SCREW, PAN, 5X16	(2)	(2)	(2)	(2)		
23	90102-ZW5-U00	SCREW, PAN, 5X10	(1)	(1)	(1)	(1)		
24	90103-ZW5-U01	SCREW, PAN, 5X20	(2)	(2)	(2)	(2)		
25	90104-ZW5-U00	SCREW, PAN, 5X18	(4)	(4)	(4)	(4)		
26	90105-ZW5-U01	SCREW, PAN, 4X10	(2)	(2)	(2)	(2)		
27	90106-ZW5-U00	SCREW, PAN, 6X18	(2)	(2)	(2)	(2)		
28	90107-ZW5-U00	SCREW, PAN, 5X40	(4)	(4)	(4)	(4)		
29	90301-ZW5-U00	NUT, HEX., 5MM	(4)	(4)	(4)	(4)		
30	90501-ZW5-U00	WASHER, LOCK, 5MM	(4)	(4)	(4)	(4)		
31	90502-ZV4-000	WASHER, PLAIN, 5MM	(4)	(4)	(4)	(4)		
32	90502-ZW5-U00	WASHER, LOCK, 6MM	(2)	(2)	(2)	(2)		
33	90503-ZW5-U00	WASHER, PLAIN, 5MM	(4)	(4)	(4)	(4)		
34	93500-05065-4J	SCREW, PAN, 5X65	(4)	(4)	(4)	(4)		
35	94001-05490-0S	NUT, HEX., 5MM	(4)	(4)	(4)	(4)		
36	94540-06029	E-RING, 6MM	(2)	(2)	(2)	(2)		



Ref. No.	L.O.N.	(Relative ref. Number) Description	F.R.T.
2	6221L2	SPACER, REMOTE CONTROL BOX (TOP MOUNT DUAL) .....	0.1
3	6221E9	HOUSING, INNER(TOP MOUNT DUAL) :LEFT .....	0.4
4	6221F0	HOUSING, INNER(TOP MOUNT DUAL) :RIGHT .....	0.4
13	6221M0	BRACKET, REMOTE CONTROL HOUSING(TOP MOUNT DUAL) .....	0.1
14	6221L7	HOUSING, REMOTE CONTROL BOX (TOP MOUNT DUAL) .....	0.1
20	6111H0	SUB HARNESS, POWER TRIM-TILT (TOP MOUNT DUAL) .....	0.1
22	6161E4	SWITCH, POWER TRIM-TILT (TOP MOUNT DUAL) .....	0.2

ZY9EY0402

3

Ref. No.	Part No.	Description	Reqd. QTY				Serial No.	Parts catalogue code
			BF 75D K2	BF 90D K2	BF 75D K3	BF 90D K4		
1	06240-ZW5-U60	BOX KIT, REMOTE CONTROL (TOP MOUNT DUAL)(R.)	(1)	(1)	(1)	(1)		
2	06241-ZW5-U10	SPACER KIT, REMOTE CONTROL BOX (TOP MOUNT DUAL)	(1)	(1)	(1)	(1)		
3	24810-ZW5-U01	HOUSING ASSY., L. INNER (TOP MOUNT)	(1)	(1)	(1)	(1)		
4	24810-ZW5-U11	HOUSING ASSY., R. INNER (TOP MOUNT)	(1)	(1)	(1)	(1)		
5	24811-ZW5-U01	HANDLE, REMOTE CONTROL .....	(2)	(2)	(2)	(2)		
6	24812-ZW5-U01	COVER, L. GRIP .....	(1)	(1)	(1)	(1)		
7	24813-ZW5-U01	GRIP, REMOTE CONTROL HANDLE ..	(2)	(2)	(2)	(2)		
8	24813-ZW5-U21	COVER, DUAL GRIP .....	(1)	(1)	(1)	(1)		
9	24814-ZW5-U01	CAP, GRIP .....	(2)	(2)	(2)	(2)		
10	24816-ZW5-U01	BUTTON, THROTTLE .....	(2)	(2)	(2)	(2)		
11	24817-ZW5-U01	PLATE, HANDLE .....	(2)	(2)	(2)	(2)		
12	24818-ZW5-U01	PLATE, CABLE CLAMP .....	(1)	(1)	(1)	(1)		
13	24819-ZW5-U01	BRACKET, REMOTE CONTROL HOUSING	(2)	(2)	(2)	(2)		
14	24820-ZW5-U21	HOUSING COMP., DUAL REMOTE CONTROL BOX	(1)	(1)	(1)	(1)		
15	24825-ZW5-U01	HOUSING, LEAD .....	(2)	(2)	(2)	(2)		
16	24826-ZW5-U01	PLATE, DWELL .....	(2)	(2)	(2)	(2)		
17	24831-ZW5-U01	TERMINAL, CABLE .....	(4)	(4)	(4)	(4)		
18	24832-ZW5-U01	SPACER, CABLE CLAMP .....	(2)	(2)	(2)	(2)		
19	24834-ZW5-U21	PACKING, DUAL .....	(1)	(1)	(1)	(1)		

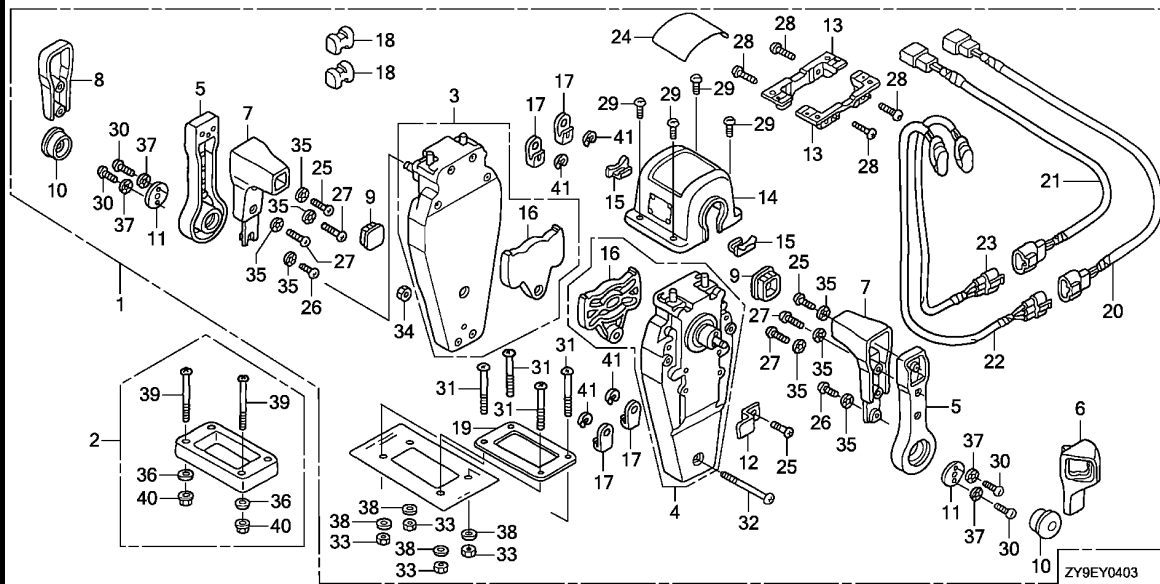
Ref. No.	Part No.	Description	Reqd. QTY				Serial No.	Parts catalogue code
			BF 75D K2	BF 90D K2	BF 75D K3	BF 90D K4		
20	32530-ZW7-U00	SUB HARNESS ASSY., POWER TRIM-TILT(A)	(1)	(1)	(1)	(1)		
21	32530-ZW7-U10	SUB HARNESS ASSY., POWER TRIM-TILT(B)	(1)	(1)	(1)	(1)		
22	35370-ZW5-U02	SWITCH ASSY., POWER TRIM-TILT (A)	(1)	(1)	(1)	(1)		
23	35370-ZW5-U12	SWITCH ASSY., POWER TRIM-TILT (B)	(1)	(1)	(1)	(1)		
24	87703-ZW5-U22	MARK, REMOTE CONTROL(DUAL) ..	(1)	(1)	(1)	(1)		
25	90101-ZW5-U00	SCREW, PAN, 5X16 .....	(3)	(3)	(3)	(3)		
26	90102-ZW5-U00	SCREW, PAN, 5X10 .....	(2)	(2)	(2)	(2)		
27	90103-ZW5-U01	SCREW, PAN, 5X20 .....	(4)	(4)	(4)	(4)		
28	90104-ZW5-U00	SCREW, PAN, 5X18 .....	(4)	(4)	(4)	(4)		
29	90105-ZW5-U01	SCREW, PAN, 4X10 .....	(4)	(4)	(4)	(4)		
30	90106-ZW5-U00	SCREW, PAN, 6X18 .....	(4)	(4)	(4)	(4)		
31	90107-ZW5-U00	SCREW, PAN, 5X40 .....	(4)	(4)	(4)	(4)		
32	90108-ZW5-U00	SCREW, PAN, 5X55 .....	(3)	(3)	(3)	(3)		
33	90301-ZW5-U00	NUT, HEX., 5MM .....	(4)	(4)	(4)	(4)		
34	90302-ZW5-U21	NUT, HEX., 5MM .....	(1)	(1)	(1)	(1)		
35	90501-ZW5-U00	WASHER, LOCK, 5MM .....	(8)	(8)	(8)	(8)		
36	90502-ZV4-000	WASHER, PLAIN, 5MM .....	(4)	(4)	(4)	(4)		
37	90502-ZW5-U00	WASHER, LOCK, 6MM .....	(4)	(4)	(4)	(4)		
38	90503-ZW5-U00	WASHER, PLAIN, 5MM .....	(4)	(4)	(4)	(4)		
39	93500-05065-4J	SCREW, PAN, 5X65 .....	(4)	(4)	(4)	(4)		
40	94001-05490-0S	NUT, HEX., 5MM .....	(4)	(4)	(4)	(4)		
41	94540-06029	E-RING, 6MM .....	(4)	(4)	(4)	(4)		



# FOP-4-3

# REMOTE CONTROL(TOP MOUNT DUAL TYPE)(LEFT)

I10



Ref. No.	L.O.N.	(Relative ref. Number) Description	F.R.T.
2	6221L2	SPACER, REMOTE CONTROL BOX (TOP MOUNT DUAL) .....	0.1
3	6221E9	HOUSING, INNER(TOP MOUNT DUAL) :LEFT .....	0.4
4	6221F0	HOUSING, INNER(TOP MOUNT DUAL) :RIGHT .....	0.4
13	6221M0	BRACKET, REMOTE CONTROL HOUSING(TOP MOUNT DUAL) .....	0.1
14	6221L7	HOUSING, REMOTE CONTROL BOX (TOP MOUNT DUAL) .....	0.1
20	6111H0	SUB HARNESS, POWER TRIM-TILT (21) .....	0.1
22	6161E4	SWITCH, POWER TRIM-TILT (23) .....	0.2

3

Ref. No.	Part No.	Description	Reqd. QTY				Serial No.	Parts catalogue code
			BF 75D K2	BF 90D K2	BF 75D K3	BF 90D K4		
1	06240-ZW5-U70	BOX KIT, REMOTE CONTROL (TOP MOUNT DUAL)(L.)	(1)	(1)	(1)	(1)		
2	06241-ZW5-U10	SPACER KIT, REMOTE CONTROL BOX (TOP MOUNT DUAL)	(1)	(1)	(1)	(1)		
3	24810-ZW5-U01	HOUSING ASSY., L. INNER (TOP MOUNT)	(1)	(1)	(1)	(1)		
4	24810-ZW5-U11	HOUSING ASSY., R. INNER (TOP MOUNT)	(1)	(1)	(1)	(1)		
5	24811-ZW5-U01	HANDLE, REMOTE CONTROL .....	(2)	(2)	(2)	(2)		
6	24812-ZW5-U11	COVER, R. GRIP .....	(1)	(1)	(1)	(1)		
7	24813-ZW5-U01	GRIP, REMOTE CONTROL HANDLE ..	(2)	(2)	(2)	(2)		
8	24813-ZW5-U21	COVER, DUAL GRIP .....	(1)	(1)	(1)	(1)		
9	24814-ZW5-U01	CAP, GRIP .....	(2)	(2)	(2)	(2)		
10	24816-ZW5-U01	BUTTON, THROTTLE .....	(2)	(2)	(2)	(2)		
11	24817-ZW5-U01	PLATE, HANDLE .....	(2)	(2)	(2)	(2)		
12	24818-ZW5-U01	PLATE, CABLE CLAMP .....	(1)	(1)	(1)	(1)		
13	24819-ZW5-U01	BRACKET, REMOTE CONTROL HOUSING	(2)	(2)	(2)	(2)		
14	24820-ZW5-U21	HOUSING COMP., DUAL REMOTE CONTROL BOX	(1)	(1)	(1)	(1)		
15	24825-ZW5-U01	HOUSING, LEAD .....	(2)	(2)	(2)	(2)		
16	24826-ZW5-U01	PLATE, DWELL .....	(2)	(2)	(2)	(2)		
17	24831-ZW5-U01	TERMINAL, CABLE .....	(4)	(4)	(4)	(4)		
18	24832-ZW5-U01	SPACER, CABLE CLAMP .....	(2)	(2)	(2)	(2)		
19	24834-ZW5-U21	PACKING, DUAL .....	(1)	(1)	(1)	(1)		

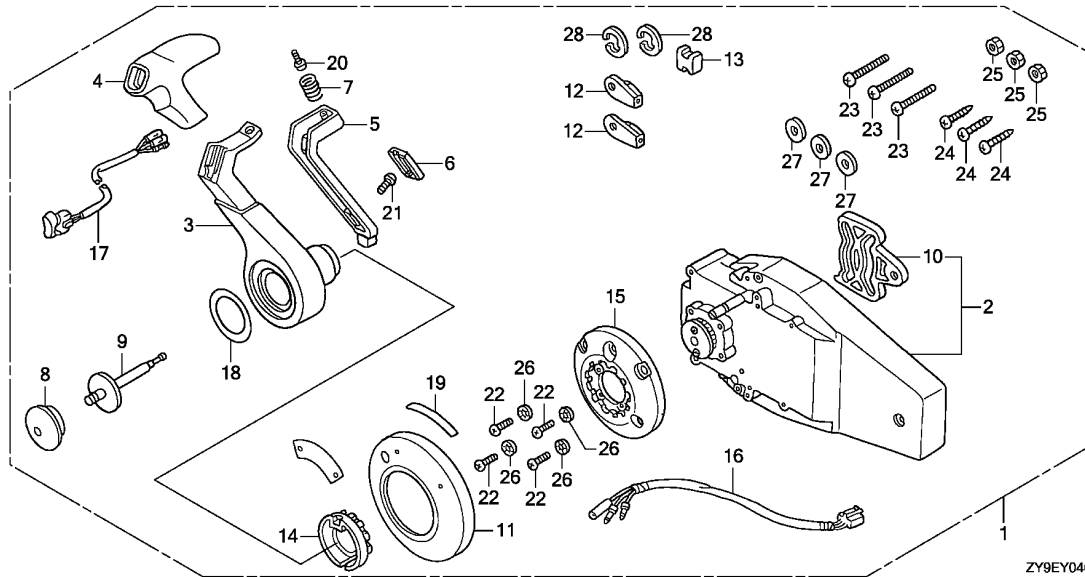
Ref. No.	Part No.	Description	Reqd. QTY				Serial No.	Parts catalogue code
			BF 75D K2	BF 90D K2	BF 75D K3	BF 90D K4		
20	32530-ZW7-U00	SUB HARNESS ASSY., POWER TRIM-TILT(A)	(1)	(1)	(1)	(1)		
21	32530-ZW7-U10	SUB HARNESS ASSY., POWER TRIM-TILT(B)	(1)	(1)	(1)	(1)		
22	35370-ZW5-U02	SWITCH ASSY., POWER TRIM-TILT (A)	(1)	(1)	(1)	(1)		
23	35370-ZW5-U12	SWITCH ASSY., POWER TRIM-TILT (B)	(1)	(1)	(1)	(1)		
24	87703-ZW5-U22	MARK, REMOTE CONTROL(DUAL) ..	(1)	(1)	(1)	(1)		
25	90101-ZW5-U00	SCREW, PAN, 5X16 .....	(3)	(3)	(3)	(3)		
26	90102-ZW5-U00	SCREW, PAN, 5X10 .....	(2)	(2)	(2)	(2)		
27	90103-ZW5-U01	SCREW, PAN, 5X20 .....	(4)	(4)	(4)	(4)		
28	90104-ZW5-U00	SCREW, PAN, 5X18 .....	(4)	(4)	(4)	(4)		
29	90105-ZW5-U01	SCREW, PAN, 4X10 .....	(4)	(4)	(4)	(4)		
30	90106-ZW5-U00	SCREW, PAN, 6X18 .....	(4)	(4)	(4)	(4)		
31	90107-ZW5-U00	SCREW, PAN, 5X40 .....	(4)	(4)	(4)	(4)		
32	90108-ZW5-U00	SCREW, PAN, 5X55 .....	(3)	(3)	(3)	(3)		
33	90301-ZW5-U00	NUT, HEX., 5MM .....	(4)	(4)	(4)	(4)		
34	90302-ZW5-U21	NUT, HEX., 5MM .....	(1)	(1)	(1)	(1)		
35	90501-ZW5-U00	WASHER, LOCK, 5MM .....	(8)	(8)	(8)	(8)		
36	90502-ZV4-000	WASHER, PLAIN, 5MM .....	(4)	(4)	(4)	(4)		
37	90502-ZW5-U00	WASHER, LOCK, 6MM .....	(4)	(4)	(4)	(4)		
38	90503-ZW5-U00	WASHER, PLAIN, 5MM .....	(4)	(4)	(4)	(4)		
39	93500-05065-4J	SCREW, PAN, 5X65 .....	(4)	(4)	(4)	(4)		
40	94001-05490-0S	NUT, HEX., 5MM .....	(4)	(4)	(4)	(4)		
41	94540-06029	E-RING, 6MM .....	(4)	(4)	(4)	(4)		



# FOP-4-4

# REMOTE CONTROL(FLUSH MOUNT TYPE)(RIGHT)

I12

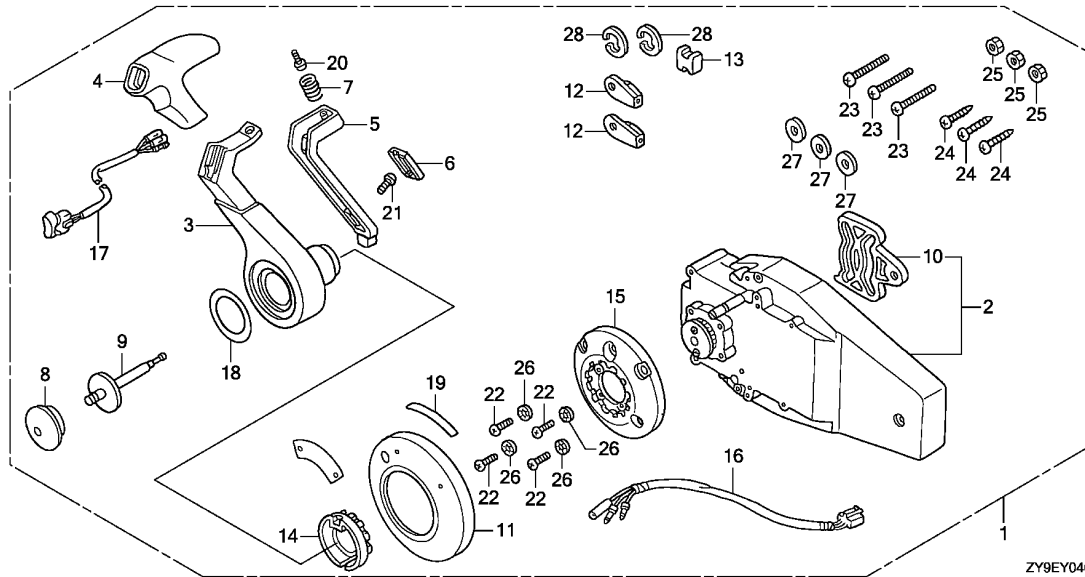


ZY9EY0404

Ref. No.	L.O.N.	(Relative ref. Number) Description	F.R.T.
2	6221M2	HOUSING, INNER(FLUSH MOUNT) ..	0.3
3	6221F3	HANDLE, REMOTE CONTROL (FLUSH MOUNT) .....	0.2
15	6221M1	BASE, REMOTE CONTROL (FLUSH MOUNT) .....	0.2
16	6111G8	SUB HARNESS, POWER TRIM-TILT (FLUSH MOUNT) .....	0.2
17	6161E6	SWITCH, POWER TRIM-TILT (FLUSH MOUNT) .....	0.2

3

Ref. No.	Part No.	Description	Reqd. QTY				Serial No.	Parts catalogue code
			BF 75D K2	BF 90D K2	BF 75D K3	BF 90D K4		
1	06240-ZW7-U00	BOX KIT, REMOTE CONTROL (FLUSH MOUNT)(R.)	(1)	(1)	(1)	(1)		
2	24810-ZW7-U01	HOUSING ASSY., R. INNER (FLUSH MOUNT)	(1)	(1)	(1)	(1)		
3	24811-ZW7-U01	HANDLE, REMOTE CONTROL .....	(1)	(1)	(1)	(1)		
4	24812-ZW7-U01	COVER, GRIP .....	(1)	(1)	(1)	(1)		
5	24813-ZW7-U01	ARM, NEUTRAL LOCK .....	(1)	(1)	(1)	(1)		
6	24814-ZW7-U01	COVER, LOCK ARM .....	(1)	(1)	(1)	(1)		
7	24815-ZW7-U01	SPRING, NEUTRAL LOCK ARM .....	(1)	(1)	(1)	(1)		
8	24816-ZW5-U01	BUTTON, THROTTLE .....	(1)	(1)	(1)	(1)		
9	24817-ZW7-U01	SHAFT, THROTTLE BUTTON .....	(1)	(1)	(1)	(1)		
10	24826-ZW5-U01	PLATE, DWELL .....	(1)	(1)	(1)	(1)		
11	24830-ZW7-U01	COVER ASSY. ....	(1)	(1)	(1)	(1)		
12	24831-ZW5-U01	TERMINAL, CABLE .....	(2)	(2)	(2)	(2)		
13	24832-ZW5-U01	SPACER, CABLE CLAMP .....	(1)	(1)	(1)	(1)		
14	24832-ZW7-U01	HOLDER, NEUTRAL LOCK .....	(1)	(1)	(1)	(1)		
15	24833-ZW7-U01	BASE .....	(1)	(1)	(1)	(1)		
16	32530-ZW7-U20	SUB HARNESS ASSY., POWER TRIM-TILT(C)	(1)	(1)	(1)	(1)		
17	35370-ZW7-U02	SWITCH ASSY., POWER TRIM-TILT (C)	(1)	(1)	(1)	(1)		
18	87701-ZW7-U01	MARK, HANDLE FLUSH MOUNT .....	(1)	(1)	(1)	(1)		
19	87703-ZW7-U00	MARK, FLUSH MOUNT .....	(1)	(1)	(1)	(1)		
20	90101-ZW5-U00	SCREW, PAN, 5X16 .....	(1)	(1)	(1)	(1)		
21	90101-ZW7-U01	SCREW, TRUSS, 4X12 .....	(1)	(1)	(1)	(1)		

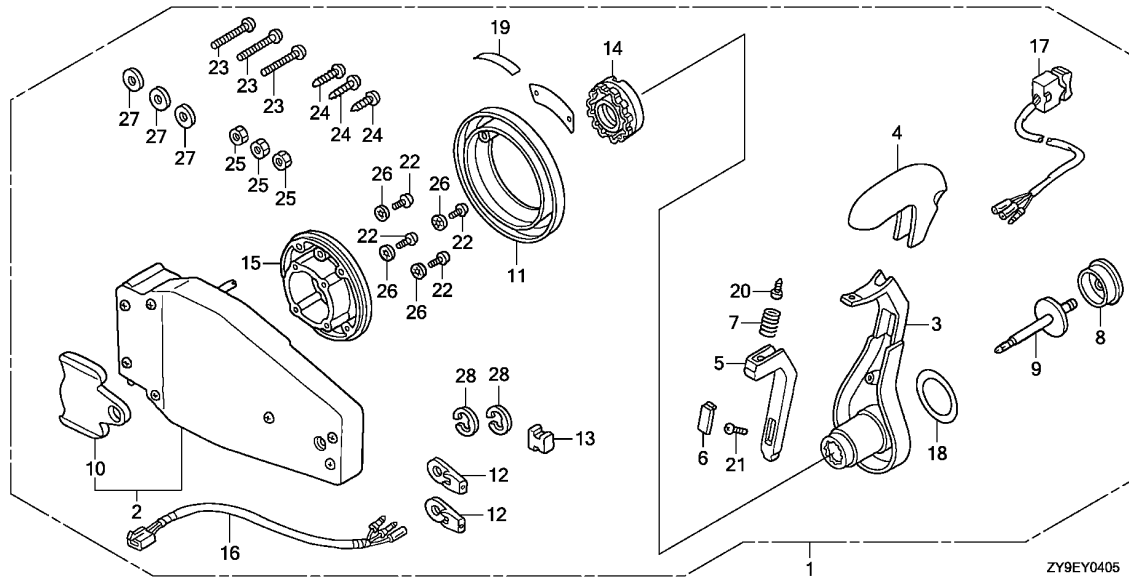


Ref. No.	Part No.	Description	Reqd. QTY				Serial No.	Parts catalogue code
			BF 75D K2	BF 90D K2	BF 75D K3	BF 90D K4		
22	90102-ZW7-U01	SCREW, PAN, 5X30 .....	(4)	(4)	(4)	(4)		
23	90103-ZW7-U01	SCREW, PAN, 6X35 .....	(3)	(3)	(3)	(3)		
24	90104-ZW7-U01	SCREW, TAPPING, 6X30 .....	(3)	(3)	(3)	(3)		
25	90301-ZW7-U01	NUT, HEX., 6MM .....	(3)	(3)	(3)	(3)		
26	90501-ZW5-U00	WASHER, LOCK, 5MM .....	(4)	(4)	(4)	(4)		
27	90502-ZW7-U00	WASHER, PLAIN, 6MM .....	(3)	(3)	(3)	(3)		
28	94540-06029	E-RING, 6MM .....	(2)	(2)	(2)	(2)		

FOP-4-5

REMOTE CONTROL(FLUSH MOUNT TYPE)(LEFT)

I14

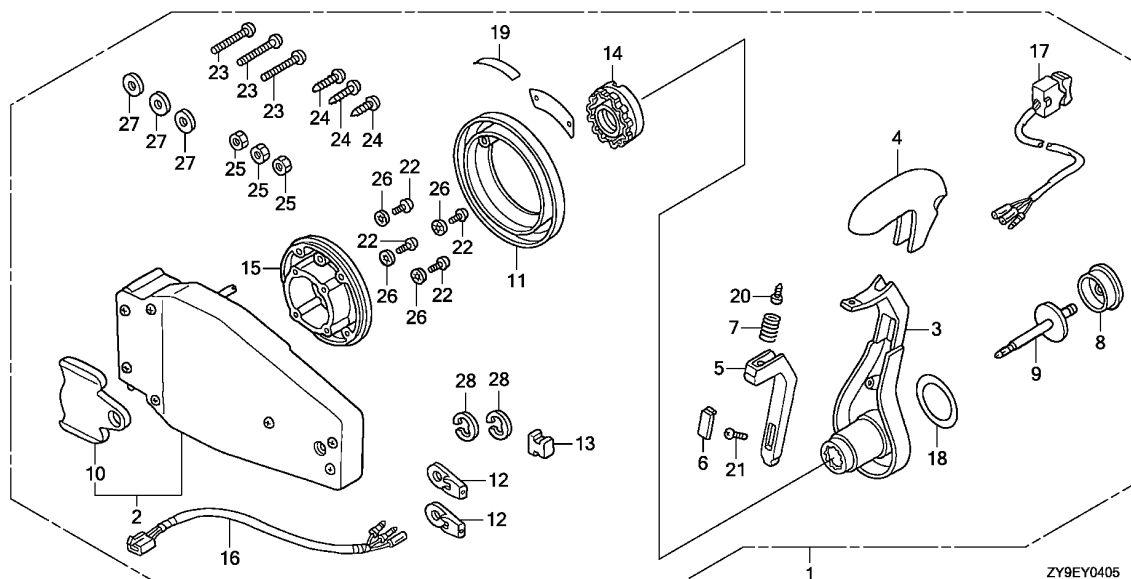


Ref. No.	L.O.N.	(Relative ref. Number) Description	F.R.T.
2	6221M2	HOUSING, INNER(FLUSH MOUNT) ..	0.3
3	6221F3	HANDLE, REMOTE CONTROL (FLUSH MOUNT) .....	0.2
15	6221M1	BASE, REMOTE CONTROL (FLUSH MOUNT) .....	0.2
16	6111G8	SUB HARNESS, POWER TRIM-TILT (FLUSH MOUNT) .....	0.2
17	6161E6	SWITCH, POWER TRIM-TILT (FLUSH MOUNT) .....	0.2

ZY9EY0405

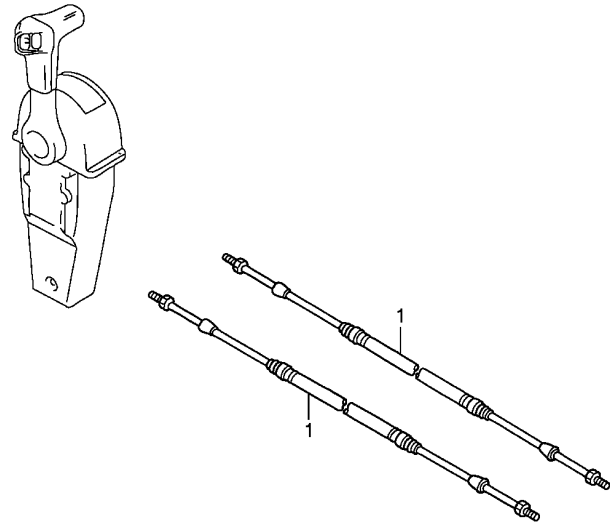
Ref. No.	Part No.	Description	Reqd. QTY				Serial No.	Parts catalogue code
			BF 75D K2	BF 90D K2	BF 75D K3	BF 90D K4		
1	06240-ZW7-U10	BOX KIT, REMOTE CONTROL (FLUSH MOUNT)(L.)	(1)	(1)	(1)	(1)		
2	24810-ZW7-U11	HOUSING ASSY., L. INNER (FLUSH MOUNT)	(1)	(1)	(1)	(1)		
3	24811-ZW7-U01	HANDLE, REMOTE CONTROL .....	(1)	(1)	(1)	(1)		
4	24812-ZW7-U01	COVER, GRIP .....	(1)	(1)	(1)	(1)		
5	24813-ZW7-U01	ARM, NEUTRAL LOCK .....	(1)	(1)	(1)	(1)		
6	24814-ZW7-U01	COVER, LOCK ARM .....	(1)	(1)	(1)	(1)		
7	24815-ZW7-U01	SPRING, NEUTRAL LOCK ARM .....	(1)	(1)	(1)	(1)		
8	24816-ZW5-U01	BUTTON, THROTTLE .....	(1)	(1)	(1)	(1)		
9	24817-ZW7-U01	SHAFT, THROTTLE BUTTON .....	(1)	(1)	(1)	(1)		
10	24826-ZW5-U01	PLATE, DWELL .....	(1)	(1)	(1)	(1)		
11	24830-ZW7-U01	COVER ASSY. ....	(1)	(1)	(1)	(1)		
12	24831-ZW5-U01	TERMINAL, CABLE .....	(2)	(2)	(2)	(2)		
13	24832-ZW5-U01	SPACER, CABLE CLAMP .....	(1)	(1)	(1)	(1)		
14	24832-ZW7-U01	HOLDER, NEUTRAL LOCK .....	(1)	(1)	(1)	(1)		
15	24833-ZW7-U01	BASE .....	(1)	(1)	(1)	(1)		
16	32530-ZW7-U20	SUB HARNESS ASSY., POWER TRIM-TILT(C)	(1)	(1)	(1)	(1)		
17	35370-ZW7-U02	SWITCH ASSY., POWER TRIM-TILT (C)	(1)	(1)	(1)	(1)		
18	87701-ZW7-U01	MARK, HANDLE FLUSH MOUNT .....	(1)	(1)	(1)	(1)		
19	87703-ZW7-U00	MARK, FLUSH MOUNT .....	(1)	(1)	(1)	(1)		
20	90101-ZW5-U00	SCREW, PAN, 5X16 .....	(1)	(1)	(1)	(1)		
21	90101-ZW7-U01	SCREW, TRUSS, 4X12 .....	(1)	(1)	(1)	(1)		

3



Ref. No.	Part No.	Description	Reqd. QTY				Serial No.	Parts catalogue code
			BF 75D K2	BF 90D K2	BF 75D K3	BF 90D K4		
22	90102-ZW7-U01	SCREW, PAN, 5X30 .....	(4)	(4)	(4)	(4)		
23	90103-ZW7-U01	SCREW, PAN, 6X35 .....	(3)	(3)	(3)	(3)		
24	90104-ZW7-U01	SCREW, TAPPING, 6X30 .....	(3)	(3)	(3)	(3)		
25	90301-ZW7-U01	NUT, HEX., 6MM .....	(3)	(3)	(3)	(3)		
26	90501-ZW5-U00	WASHER, LOCK, 5MM .....	(4)	(4)	(4)	(4)		
27	90502-ZW7-U00	WASHER, PLAIN, 6MM .....	(3)	(3)	(3)	(3)		
28	94540-06029	E-RING, 6MM .....	(2)	(2)	(2)	(2)		





ZY9EY0500

Ref. L.O.N. (Relative ref. Number) F.R.T.  
No. Description

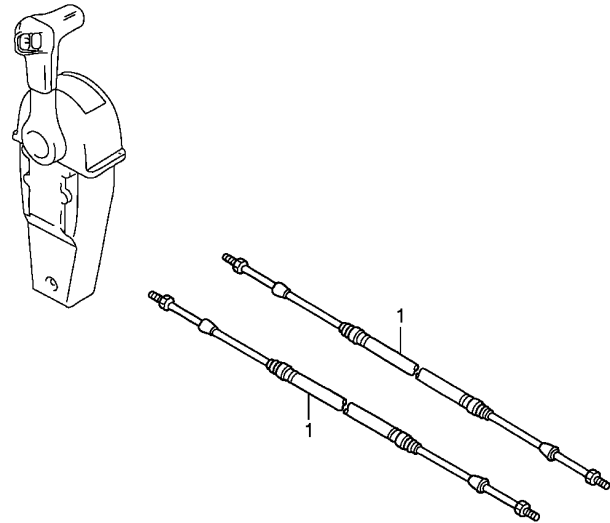
NO INFORMATION .....

3

Ref. No.	Part No.	Description	Reqd. QTY				Serial No.	Parts catalogue code
			BF 75D K2	BF 90D K2	BF 75D K3	BF 90D K4		
1	24910-ZY3-003	CABLE COMP., REMOTE CONTROL (10')(LOW FRICTION)	(2)	(2)	(2)	(2)		
	24911-ZW7-U01	CABLE ASSY., PUSH-PULL (33C-5FT)	(2)	(2)	(2)	(2)		
	24911-ZY3-003	CABLE COMP., REMOTE CONTROL (11')(LOW FRICTION)	(2)	(2)	(2)	(2)		
	24912-ZW7-U01	CABLE ASSY., PUSH-PULL (33C-6FT)	(2)	(2)	(2)	(2)		
	24912-ZY3-003	CABLE COMP., REMOTE CONTROL (12')(LOW FRICTION)	(2)	(2)	(2)	(2)		
	24913-ZW7-U01	CABLE ASSY., PUSH-PULL (33C-7FT)	(2)	(2)	(2)	(2)		
	24913-ZY3-003	CABLE COMP., REMOTE CONTROL (13')(LOW FRICTION)	(2)	(2)	(2)	(2)		
	24914-ZW7-U01	CABLE ASSY., PUSH-PULL (33C-8FT)	(2)	(2)	(2)	(2)		
	24914-ZY3-003	CABLE COMP., REMOTE CONTROL (14')(LOW FRICTION)	(2)	(2)	(2)	(2)		
	24915-ZW7-U01	CABLE ASSY., PUSH-PULL (33C-9FT)	(2)	(2)	(2)	(2)		
	24915-ZY3-003	CABLE COMP., REMOTE CONTROL (15')(LOW FRICTION)	(2)	(2)	(2)	(2)		
	24916-ZW7-U01	CABLE ASSY., PUSH-PULL (33C-10FT)	(2)	(2)	(2)	(2)		
	24916-ZY3-003	CABLE COMP., REMOTE CONTROL (16')(LOW FRICTION)	(2)	(2)	(2)	(2)		
	24917-ZW7-U01	CABLE ASSY., PUSH-PULL (33C-11FT)	(2)	(2)	(2)	(2)		

Ref. No.	Part No.	Description	Reqd. QTY				Serial No.	Parts catalogue code
			BF 75D K2	BF 90D K2	BF 75D K3	BF 90D K4		
(1)	24917-ZY3-003	CABLE COMP., REMOTE CONTROL (17')(LOW FRICTION)	(2)	(2)	(2)	(2)		
	24918-ZW7-U01	CABLE ASSY., PUSH-PULL (33C-12FT)	(2)	(2)	(2)	(2)		
	24918-ZY3-003	CABLE COMP., REMOTE CONTROL (18')(LOW FRICTION)	(2)	(2)	(2)	(2)		
	24919-ZW7-U01	CABLE ASSY., PUSH-PULL (33C-13FT)	(2)	(2)	(2)	(2)		
	24919-ZY3-003	CABLE COMP., REMOTE CONTROL (19')(LOW FRICTION)	(2)	(2)	(2)	(2)		
	24920-ZW7-U01	CABLE ASSY., PUSH-PULL (33C-14FT)	(2)	(2)	(2)	(2)		
	24920-ZY3-003	CABLE COMP., REMOTE CONTROL (20')(LOW FRICTION)	(2)	(2)	(2)	(2)		
	24921-ZW7-U01	CABLE ASSY., PUSH-PULL (33C-15FT)	(2)	(2)	(2)	(2)		
	24921-ZY3-003	CABLE COMP., REMOTE CONTROL (21')(LOW FRICTION)	(2)	(2)	(2)	(2)		
	24922-ZW7-U01	CABLE ASSY., PUSH-PULL (33C-16FT)	(2)	(2)	(2)	(2)		
	24922-ZY3-003	CABLE COMP., REMOTE CONTROL (22')(LOW FRICTION)	(2)	(2)	(2)	(2)		
	24923-ZW7-U01	CABLE ASSY., PUSH-PULL (33C-17FT)	(2)	(2)	(2)	(2)		
	24923-ZY3-003	CABLE COMP., REMOTE CONTROL (23')(LOW FRICTION)	(2)	(2)	(2)	(2)		
	24924-ZW7-U01	CABLE ASSY., PUSH-PULL (33C-18FT)	(2)	(2)	(2)	(2)		
	24924-ZY3-003	CABLE COMP., REMOTE CONTROL (24')(LOW FRICTION)	(2)	(2)	(2)	(2)		
	24925-ZW7-U01	CABLE ASSY., PUSH-PULL (33C-19FT)	(2)	(2)	(2)	(2)		
	24925-ZY3-003	CABLE COMP., REMOTE CONTROL (25')(LOW FRICTION)	(2)	(2)	(2)	(2)		
	24926-ZW7-U01	CABLE ASSY., PUSH-PULL (33C-20FT)	(2)	(2)	(2)	(2)		
	24926-ZY3-003	CABLE COMP., REMOTE CONTROL (26')(LOW FRICTION)	(2)	(2)	(2)	(2)		
	24927-ZW7-U01	CABLE ASSY., PUSH-PULL (33C-21FT)	(2)	(2)	(2)	(2)		
	24927-ZY3-003	CABLE COMP., REMOTE CONTROL (27')(LOW FRICTION)	(2)	(2)	(2)	(2)		
	24928-ZW7-U01	CABLE ASSY., PUSH-PULL (33C-22FT)	(2)	(2)	(2)	(2)		
	24928-ZY3-003	CABLE COMP., REMOTE CONTROL (28')(LOW FRICTION)	(2)	(2)	(2)	(2)		
	24929-ZW7-U01	CABLE ASSY., PUSH-PULL (33C-23FT)	(2)	(2)	(2)	(2)		
	24929-ZY3-003	CABLE COMP., REMOTE CONTROL (29')(LOW FRICTION)	(2)	(2)	(2)	(2)		
	24930-ZW7-U01	CABLE ASSY., PUSH-PULL (33C-24FT)	(2)	(2)	(2)	(2)		
	24930-ZY3-003	CABLE COMP., REMOTE CONTROL (30')(LOW FRICTION)	(2)	(2)	(2)	(2)		
	24931-ZW7-U01	CABLE ASSY., PUSH-PULL (33C-25FT)	(2)	(2)	(2)	(2)		
	24931-ZY3-003	CABLE COMP., REMOTE CONTROL (31')(LOW FRICTION)	(2)	(2)	(2)	(2)		





ZY9EY0500

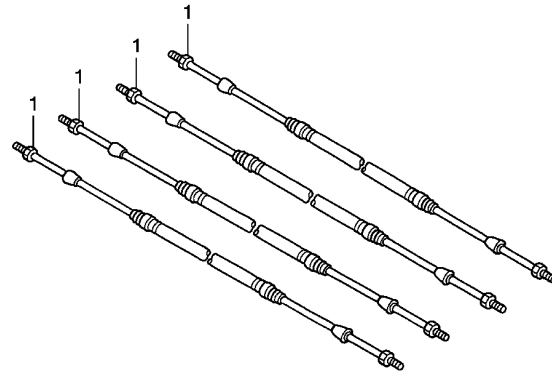
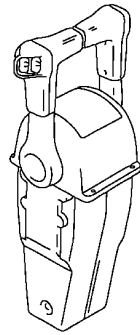
3

Ref. No.	Part No.	Description	Reqd. QTY				Serial No.	Parts catalogue code
			BF 75D K2	BF 90D K2	BF 75D K3	BF 90D K4		
(1)	24932-ZW7-U01	CABLE ASSY., PUSH-PULL (33C-26FT)	(2)	(2)	(2)	(2)		
	24932-ZY3-003	CABLE COMP., REMOTE CONTROL (32')(LOW FRICTION)	(2)	(2)	(2)	(2)		
	24933-ZW7-U01	CABLE ASSY., PUSH-PULL (33C-27FT)	(2)	(2)	(2)	(2)		
	24933-ZY3-003	CABLE COMP., REMOTE CONTROL (33')(LOW FRICTION)	(2)	(2)	(2)	(2)		
	24934-ZW7-U01	CABLE ASSY., PUSH-PULL (33C-28FT)	(2)	(2)	(2)	(2)		
	24934-ZY3-003	CABLE COMP., REMOTE CONTROL (34')(LOW FRICTION)	(2)	(2)	(2)	(2)		
	24935-ZW7-U01	CABLE ASSY., PUSH-PULL (33C-29FT)	(2)	(2)	(2)	(2)		
	24935-ZY3-003	CABLE COMP., REMOTE CONTROL (35')(LOW FRICTION)	(2)	(2)	(2)	(2)		
	24936-ZW7-U01	CABLE ASSY., PUSH-PULL (33C-30FT)	(2)	(2)	(2)	(2)		
	24937-ZW7-U01	CABLE ASSY., PUSH-PULL (33C-31FT)	(2)	(2)	(2)	(2)		
	24938-ZW7-U01	CABLE ASSY., PUSH-PULL (33C-32FT)	(2)	(2)	(2)	(2)		

FOP-5-1

CABLE(DUAL)

J 3



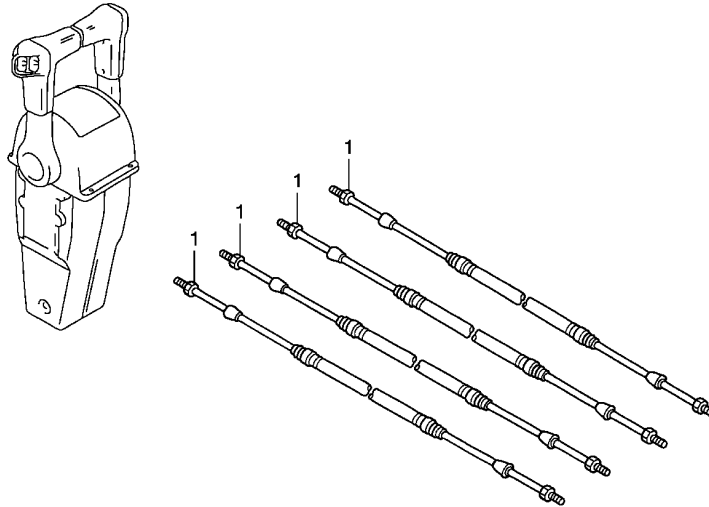
ZY9EY0501

Ref. L.O.N. (Relative ref. Number) F.R.T.  
No. Description

NO INFORMATION .....

Ref. No.	Part No.	Description	Reqd. QTY				Serial No.	Parts catalogue code
			BF 75D K2	BF 90D K2	BF 75D K3	BF 90D K4		
1	24910-ZY3-003	CABLE COMP., REMOTE CONTROL (10')(LOW FRICTION)	(4)	(4)	(4)	(4)		
	24911-ZW7-U01	CABLE ASSY., PUSH-PULL (33C-5FT)	(4)	(4)	(4)	(4)		
	24911-ZY3-003	CABLE COMP., REMOTE CONTROL (11')(LOW FRICTION)	(4)	(4)	(4)	(4)		
	24912-ZW7-U01	CABLE ASSY., PUSH-PULL (33C-6FT)	(4)	(4)	(4)	(4)		
	24912-ZY3-003	CABLE COMP., REMOTE CONTROL (12')(LOW FRICTION)	(4)	(4)	(4)	(4)		
	24913-ZW7-U01	CABLE ASSY., PUSH-PULL (33C-7FT)	(4)	(4)	(4)	(4)		
	24913-ZY3-003	CABLE COMP., REMOTE CONTROL (13')(LOW FRICTION)	(4)	(4)	(4)	(4)		
	24914-ZW7-U01	CABLE ASSY., PUSH-PULL (33C-8FT)	(4)	(4)	(4)	(4)		
	24914-ZY3-003	CABLE COMP., REMOTE CONTROL (14')(LOW FRICTION)	(4)	(4)	(4)	(4)		
	24915-ZW7-U01	CABLE ASSY., PUSH-PULL (33C-9FT)	(4)	(4)	(4)	(4)		
	24915-ZY3-003	CABLE COMP., REMOTE CONTROL (15')(LOW FRICTION)	(4)	(4)	(4)	(4)		
	24916-ZW7-U01	CABLE ASSY., PUSH-PULL (33C-10FT)	(4)	(4)	(4)	(4)		
	24916-ZY3-003	CABLE COMP., REMOTE CONTROL (16')(LOW FRICTION)	(4)	(4)	(4)	(4)		
	24917-ZW7-U01	CABLE ASSY., PUSH-PULL (33C-11FT)	(4)	(4)	(4)	(4)		

3



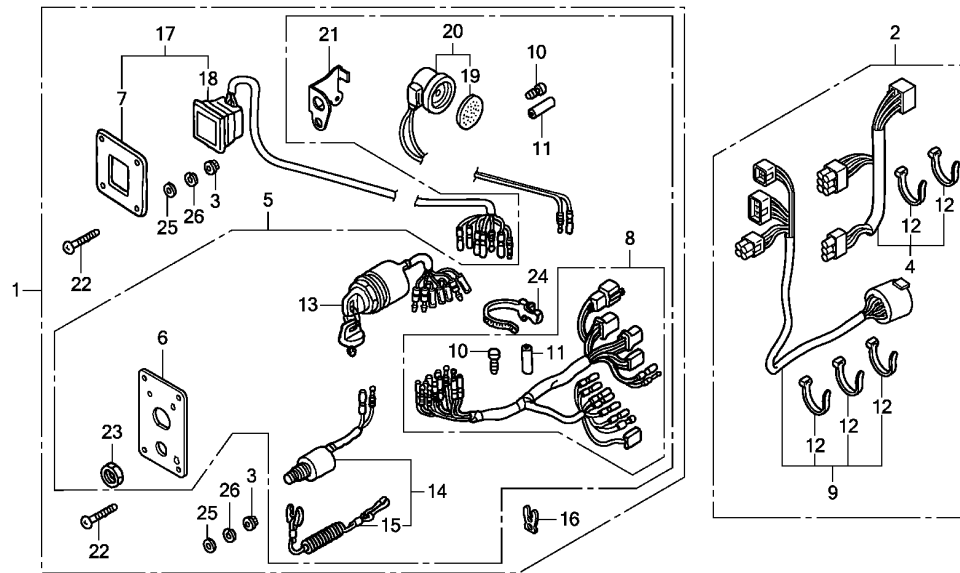
ZY9EY0501

3

Ref. No.	Part No.	Description	Reqd. QTY				Serial No.	Parts catalogue code
			BF 75D K2	BF 90D K2	BF 75D K3	BF 90D K4		
(1)	24917-ZY3-003	CABLE COMP., REMOTE CONTROL (17')(LOW FRICTION)	(4)	(4)	(4)	(4)		
	24918-ZW7-U01	CABLE ASSY., PUSH-PULL (33C-12FT)	(4)	(4)	(4)	(4)		
	24918-ZY3-003	CABLE COMP., REMOTE CONTROL (18')(LOW FRICTION)	(4)	(4)	(4)	(4)		
	24919-ZW7-U01	CABLE ASSY., PUSH-PULL (33C-13FT)	(4)	(4)	(4)	(4)		
	24919-ZY3-003	CABLE COMP., REMOTE CONTROL (19')(LOW FRICTION)	(4)	(4)	(4)	(4)		
	24920-ZW7-U01	CABLE ASSY., PUSH-PULL (33C-14FT)	(4)	(4)	(4)	(4)		
	24920-ZY3-003	CABLE COMP., REMOTE CONTROL (20')(LOW FRICTION)	(4)	(4)	(4)	(4)		
	24921-ZW7-U01	CABLE ASSY., PUSH-PULL (33C-15FT)	(4)	(4)	(4)	(4)		
	24921-ZY3-003	CABLE COMP., REMOTE CONTROL (21')(LOW FRICTION)	(4)	(4)	(4)	(4)		
	24922-ZW7-U01	CABLE ASSY., PUSH-PULL (33C-16FT)	(4)	(4)	(4)	(4)		
	24922-ZY3-003	CABLE COMP., REMOTE CONTROL (22')(LOW FRICTION)	(4)	(4)	(4)	(4)		
	24923-ZW7-U01	CABLE ASSY., PUSH-PULL (33C-17FT)	(4)	(4)	(4)	(4)		
	24923-ZY3-003	CABLE COMP., REMOTE CONTROL (23')(LOW FRICTION)	(4)	(4)	(4)	(4)		
	24924-ZW7-U01	CABLE ASSY., PUSH-PULL (33C-18FT)	(4)	(4)	(4)	(4)		

Ref. No.	Part No.	Description	Reqd. QTY				Serial No.	Parts catalogue code
			BF 75D K2	BF 90D K2	BF 75D K3	BF 90D K4		
(1)	24924-ZY3-003	CABLE COMP., REMOTE CONTROL (24')(LOW FRICTION)	(4)	(4)	(4)	(4)		
	24925-ZW7-U01	CABLE ASSY., PUSH-PULL (33C-19FT)	(4)	(4)	(4)	(4)		
	24925-ZY3-003	CABLE COMP., REMOTE CONTROL (25')(LOW FRICTION)	(4)	(4)	(4)	(4)		
	24926-ZW7-U01	CABLE ASSY., PUSH-PULL (33C-20FT)	(4)	(4)	(4)	(4)		
	24926-ZY3-003	CABLE COMP., REMOTE CONTROL (26')(LOW FRICTION)	(4)	(4)	(4)	(4)		
	24927-ZW7-U01	CABLE ASSY., PUSH-PULL (33C-21FT)	(4)	(4)	(4)	(4)		
	24927-ZY3-003	CABLE COMP., REMOTE CONTROL (27')(LOW FRICTION)	(4)	(4)	(4)	(4)		
	24928-ZW7-U01	CABLE ASSY., PUSH-PULL (33C-22FT)	(4)	(4)	(4)	(4)		
	24928-ZY3-003	CABLE COMP., REMOTE CONTROL (28')(LOW FRICTION)	(4)	(4)	(4)	(4)		
	24929-ZW7-U01	CABLE ASSY., PUSH-PULL (33C-23FT)	(4)	(4)	(4)	(4)		
	24929-ZY3-003	CABLE COMP., REMOTE CONTROL (29')(LOW FRICTION)	(4)	(4)	(4)	(4)		
	24930-ZW7-U01	CABLE ASSY., PUSH-PULL (33C-24FT)	(4)	(4)	(4)	(4)		
	24930-ZY3-003	CABLE COMP., REMOTE CONTROL (30')(LOW FRICTION)	(4)	(4)	(4)	(4)		
	24931-ZW7-U01	CABLE ASSY., PUSH-PULL (33C-25FT)	(4)	(4)	(4)	(4)		
	24931-ZY3-003	CABLE COMP., REMOTE CONTROL (31')(LOW FRICTION)	(4)	(4)	(4)	(4)		
	24932-ZW7-U01	CABLE ASSY., PUSH-PULL (33C-26FT)	(4)	(4)	(4)	(4)		
	24932-ZY3-003	CABLE COMP., REMOTE CONTROL (32')(LOW FRICTION)	(4)	(4)	(4)	(4)		
	24933-ZW7-U01	CABLE ASSY., PUSH-PULL (33C-27FT)	(4)	(4)	(4)	(4)		
	24933-ZY3-003	CABLE COMP., REMOTE CONTROL (33')(LOW FRICTION)	(4)	(4)	(4)	(4)		
	24934-ZW7-U01	CABLE ASSY., PUSH-PULL (33C-28FT)	(4)	(4)	(4)	(4)		
	24934-ZY3-003	CABLE COMP., REMOTE CONTROL (34')(LOW FRICTION)	(4)	(4)	(4)	(4)		
	24935-ZW7-U01	CABLE ASSY., PUSH-PULL (33C-29FT)	(4)	(4)	(4)	(4)		
	24935-ZY3-003	CABLE COMP., REMOTE CONTROL (35')(LOW FRICTION)	(4)	(4)	(4)	(4)		
	24936-ZW7-U01	CABLE ASSY., PUSH-PULL (33C-30FT)	(4)	(4)	(4)	(4)		
	24937-ZW7-U01	CABLE ASSY., PUSH-PULL (33C-31FT)	(4)	(4)	(4)	(4)		
	24938-ZW7-U01	CABLE ASSY., PUSH-PULL (33C-32FT)	(4)	(4)	(4)	(4)		





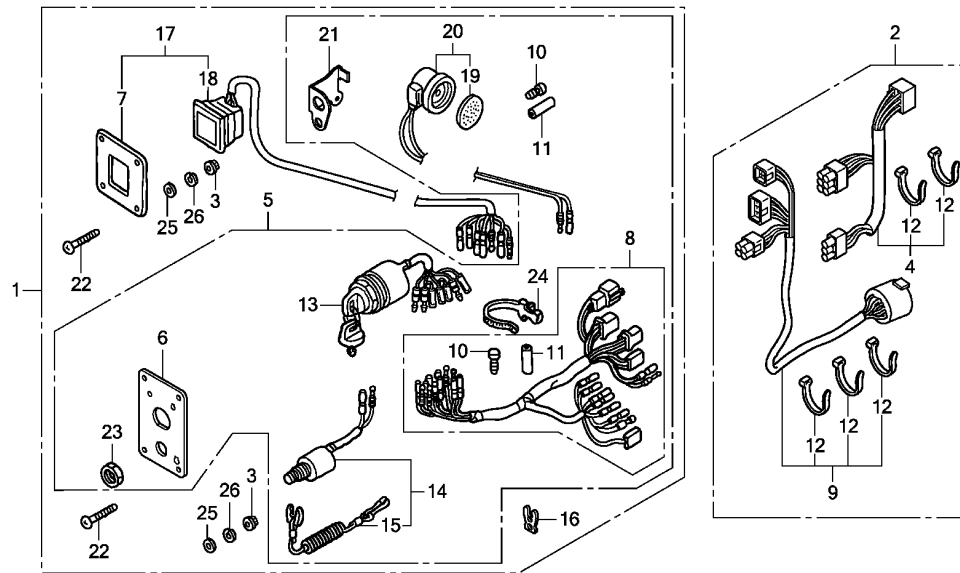
Ref. L.O.N. (Relative ref. Number) F.R.T.  
No. Description

NO INFORMATION .....

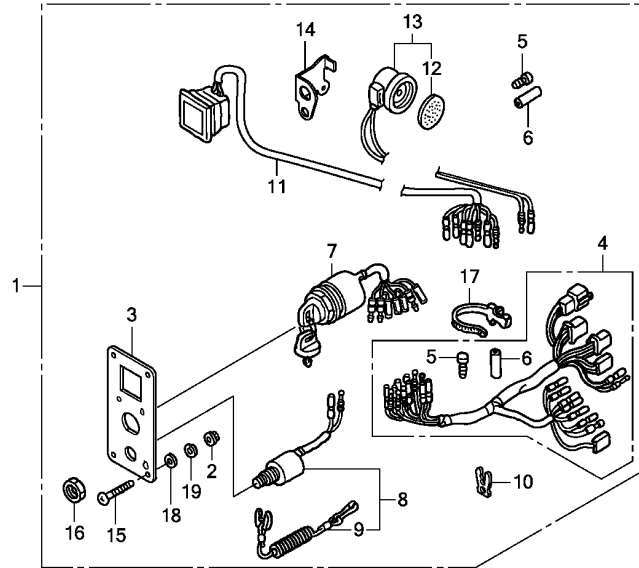
ZY9EY0600

3

Ref. No.	Part No.	Description	Reqd. QTY				Serial No.	Parts catalogue code
			BF 75D K2	BF 90D K2	BF 75D K3	BF 90D K4		
1	06323-ZZ5-663	PANEL KIT, SWITCH(B) (4-LED) .....	(1)	(1)	-	-	LHGD,LHTD,LRTD,LRTL,XRTD,XRTL	
	06323-ZZ5-792	.....	(1)	(1)	-	-	LRTU,XRTU	
	06323-ZZ5-664	.....	-	-	(1)	(1)	LHGX,LHTD,LRTD,LRTL,LRTX,XRTD,XRTL	
	06323-ZZ5-793	PANEL KIT, SWITCH(4-LED) .....	-	-	-	(1)	LRTR	
2	06325-ZZ5-600	CABLE SET, PANEL INDICATOR (20FT) .....	(1)	(1)	(1)	(1)	LRTD,LRTL,LRTR,LRTU,LRTX,XRTD,XRTL,XRTU	
	06325-ZZ5-700	CABLE SET, PANEL INDICATOR (25FT) .....	(1)	(1)	(1)	(1)	LRTD,LRTL,LRTR,LRTU,LRTX,XRTD,XRTL,XRTU	
	06325-ZZ5-800	CABLE SET, PANEL INDICATOR (30FT) .....	(1)	(1)	(1)	(1)	LRTD,LRTL,LRTR,LRTU,LRTX,XRTD,XRTL,XRTU	
3	18334-MT8-770	NUT, FLANGE, 5MM .....	(8)	(8)	(8)	(8)		
4	32185-ZZ5-600	CORD ASSY., INDICATOR(20FT) .....	(1)	(1)	(1)	(1)		
	32185-ZZ5-700	CORD ASSY., INDICATOR(25FT) .....	(1)	(1)	(1)	(1)		
	32185-ZZ5-800	CORD ASSY., INDICATOR(30FT) .....	(1)	(1)	(1)	(1)		
5	32341-ZZ5-763	PANEL ASSY., SWITCH .....	(1)	(1)	(1)	(1)	LHGD,LHGX,LHTD,LRTD,LRTL,LRTX,XRTD,XRTL	
	32341-ZZ5-792	.....	(1)	(1)	-	(1)	LRTR,LRTU,XRTU	
6	32346-ZZ5-761	PANEL, CONTROL .....	(1)	(1)	(1)	(1)	LHGD,LHGX,LHTD,LRTD,LRTL,LRTX,XRTD,XRTL	
	32346-ZZ5-791	.....	(1)	(1)	-	(1)	LRTR,LRTU,XRTU	
7	32347-ZZ5-761	PANEL, CONTROL .....	(1)	(1)	(1)	(1)		
8	32545-ZZ5-000	HARNESS ASSY., SWITCH PANEL .....	(1)	(1)	(1)	(1)		
9	32580-ZZ5-600	CABLE ASSY., SWITCH PANEL (20FT) .....	(1)	(1)	(1)	(1)		
	32580-ZZ5-700	CABLE ASSY., SWITCH PANEL (25FT) .....	(1)	(1)	(1)	(1)		
	32580-ZZ5-800	CABLE ASSY., SWITCH PANEL (30FT) .....	(1)	(1)	(1)	(1)		
10	32823-ZV5-003	PLUG, INNER CONNECTOR .....	(8)	(8)	(8)	(8)		



Ref. No.	Part No.	Description	Reqd. QTY				Serial No.	Parts catalogue code
			BF 75D K2	BF 90D K2	BF 75D K3	BF 90D K4		
11	32824-ZV5-003	PLUG, OUTER CONNECTOR .....	(3)	(3)	(3)	(3)		
12	32901-952-770	TIE, CABLE(NATURAL)(2.4X92) ..	(6)	(6)	(6)	(6)		
13	35100-ZV5-013	SWITCH ASSY., COMBINATION ...	(1)	(1)	(1)	(1)		
14	36180-ZV5-033	SWITCH ASSY., EMERGENCY STOP	(1)	(1)	(1)	(1)		
15	36182-ZV4-651	CORD COMP., EMERGENCY .....	(1)	(1)	(1)	(1)		
16	36187-ZV4-652	CLIP, EMERGENCY LOCK .....	(1)	(1)	(1)	(1)		
17	37205-ZZ5-762	PANEL ASSY., INDICATOR(4-LED)	(1)	(1)	(1)	(1)		
18	37210-ZZ5-762	LAMP ASSY., INDICATION(4-LED)	(1)	(1)	(1)	(1)		
19	38403-341-672	PLATE, WINKER BUZZER .....	(1)	(1)	(1)	(1)		
20	38410-ZV5-003	BUZZER COMP., WARNING .....	(1)	(1)	(1)	(1)		
21	38414-ZZ5-003	BRACKET, BUZZER .....	(1)	(1)	(1)	(1)		
22	90109-ZW5-000	SCREW, PAN, 5X40 .....	(8)	(8)	(8)	(8)		
23	90302-921-000	NUT, HEX., 16MM .....	(1)	(1)	(1)	(1)		
24	90649-SC2-003	BAND, WIRE HARNESS(NATURAL) (150MM)	(1)	(1)	(1)	(1)		
25	94103-05400	WASHER, PLAIN, 5MM .....	(8)	(8)	(8)	(8)		
26	94111-05400	WASHER, SPRING, 5MM .....	(8)	(8)	(8)	(8)		



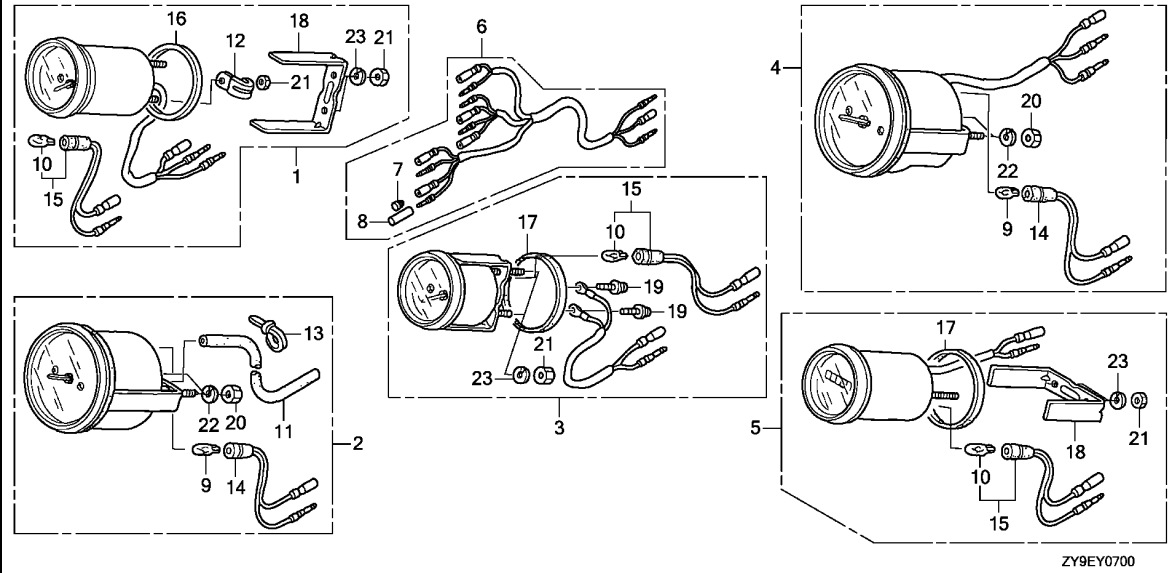
ZY9EY0601

Ref. L.O.N. (Relative ref. Number) F.R.T.  
No. Description

NO INFORMATION .....

3

Ref. No.	Part No.	Description	Reqd. QTY				Serial No.	Parts catalogue code
			BF 75D K2	BF 90D K2	BF 75D K3	BF 90D K4		
1	06323-ZZ5-763	PANEL KIT, SWITCH(4-LED) .....	(1)	(1)	-	-	-----	LHGD,LHTD,LRTD,LRTL,XRTD,XRTL
	06323-ZZ5-782	.....	(1)	(1)	-	-	-----	LRTU,XRTU
	06323-ZZ5-764	.....	-	-	(1)	(1)	-----	LHGX,LHTD,LRTD,LRTL,LRTX,XRTD,XRTL
	06323-ZZ5-783	.....	-	-	-	(1)	-----	LRTU
2	18334-MT8-770	NUT, FLANGE, 5MM .....	(4)	(4)	(4)	(4)	-----	
3	32346-ZZ5-003	PANEL, CONTROL .....	(1)	(1)	(1)	(1)	-----	LHGD,LHGX,LHTD,LRTD,LRTL,LRTX,XRTD,XRTL
	32346-ZZ5-781	.....	(1)	(1)	-	(1)	-----	LRTU,XRTU
4	32545-ZZ5-000	HARNESS ASSY., SWITCH PANEL .....	(1)	(1)	(1)	(1)	-----	
5	32823-ZV5-003	PLUG, INNER CONNECTOR .....	(8)	(8)	(8)	(8)	-----	
6	32824-ZV5-003	PLUG, OUTER CONNECTOR .....	(3)	(3)	(3)	(3)	-----	
7	35100-ZV5-013	SWITCH ASSY., COMBINATION ...	(1)	(1)	(1)	(1)	-----	
8	36180-ZV5-033	SWITCH ASSY., EMERGENCY STOP .....	(1)	(1)	(1)	(1)	-----	
9	36182-ZV4-651	CORD COMP., EMERGENCY .....	(1)	(1)	(1)	(1)	-----	
10	36187-ZV4-652	CLIP, EMERGENCY LOCK .....	(1)	(1)	(1)	(1)	-----	
11	37210-ZZ5-712	LAMP ASSY., INDICATION(4-LED) .....	(1)	(1)	(1)	(1)	-----	
12	38403-341-672	PLATE, WINKER BUZZER .....	(1)	(1)	(1)	(1)	-----	
13	38410-ZV5-003	BUZZER COMP., WARNING .....	(1)	(1)	(1)	(1)	-----	
14	38414-ZZ5-003	BRACKET, BUZZER .....	(1)	(1)	(1)	(1)	-----	
15	90109-ZW5-000	SCREW, PAN, 5X40 .....	(4)	(4)	(4)	(4)	-----	
16	90302-921-000	NUT, HEX., 16MM .....	(1)	(1)	(1)	(1)	-----	
17	90649-SC2-003	BAND, WIRE HARNESS(NATURAL) .....	(1)	(1)	(1)	(1)	-----	
		(150MM)	(1)	(1)	(1)	(1)	-----	
18	94103-05400	WASHER, PLAIN, 5MM .....	(4)	(4)	(4)	(4)	-----	
19	94111-05400	WASHER, SPRING, 5MM .....	(4)	(4)	(4)	(4)	-----	



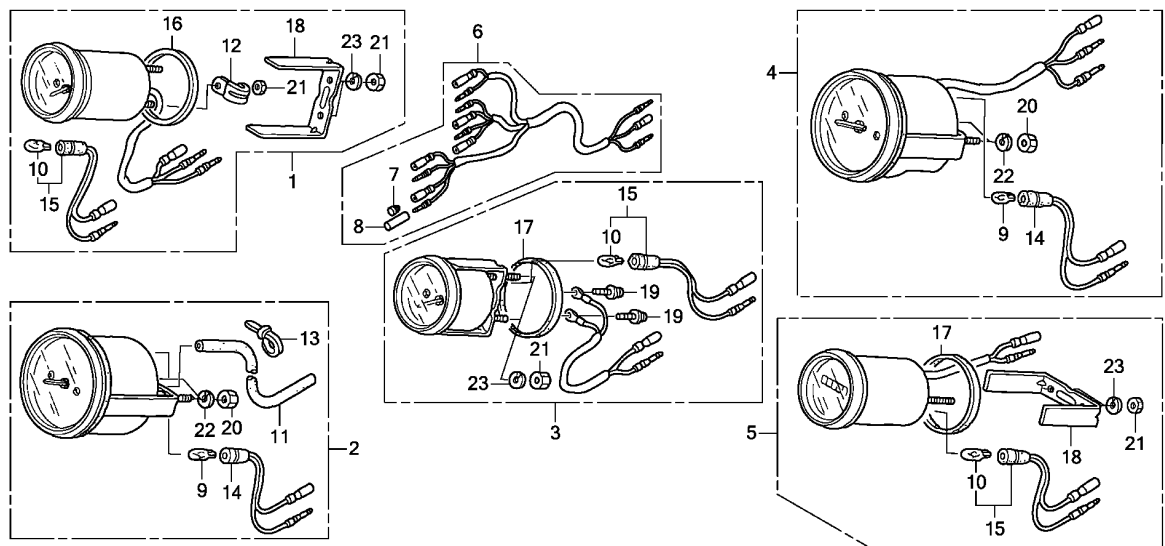
Ref. L.O.N. (Relative ref. Number) F.R.T.  
No. Description

NO INFORMATION .....

ZY9EY0700

Ref. No.	Part No.	Description	Reqd. QTY				Serial No.	Parts catalogue code
			BF 75D K2	BF 90D K2	BF 75D K3	BF 90D K4		
1	06372-ZW5-U01	METER KIT, TRIM .....	(1)	(1)	(1)	(1)		
	06372-ZW5-U11	METER KIT, TRIM(B) .....	(1)	(1)	(1)	(1)		
2	06373-ZW5-U01	SPEEDOMETER KIT .....	(1)	(1)	(1)	(1)		
	06373-ZW5-U11	SPEEDOMETER KIT(B) .....	(1)	(1)	(1)	(1)		
3	06374-ZW5-U00	METER KIT, VOLT .....	(1)	(1)	(1)	(1)		
	06374-ZW5-U10	METER KIT, VOLT(B) .....	(1)	(1)	(1)	(1)		
4	06375-ZW5-U01	METER KIT, TACHO .....	(1)	(1)	(1)	(1)		
	06375-ZW5-U11	METER KIT, TACHO(B) .....	(1)	(1)	(1)	(1)		
5	06397-ZW5-U00	METER KIT, HOUR .....	(1)	(1)	(1)	(1)		
	06397-ZW5-U10	METER KIT, HOUR(B) .....	(1)	(1)	(1)	(1)		
6	32550-ZW5-U00	HARNESS ASSY., METER(B) .....	(1)	(1)	(1)	(1)		
7	32823-ZV5-003	PLUG, INNER CONNECTOR .....	(5)	(5)	(5)	(5)		
8	32824-ZV5-003	PLUG, OUTER CONNECTOR .....	(5)	(5)	(5)	(5)		
9	34908-MB9-871	BULB, WEDGE BASE(T10) (12V 1.7W) (STANLEY)	(2)	(2)	(2)	(2)		
10	34908-MG9-951	BULB, WEDGE BASE(12V 1.7W) ..	(3)	(3)	(3)	(3)		
11	37202-ZW5-U01	TUBE, SPEED METER(4X7X8000) ..	(1)	(1)	(1)	(1)		
12	37215-KM1-670	CLAMP .....	(1)	(1)	(1)	(1)		
13	37226-MZ5-008	BAND, SELF LOCK .....	(1)	(1)	(1)	(1)		
14	37258-ZV5-U01	SOCKET COMP. .....	(2)	(2)	(2)	(2)		
15	37258-ZW5-U01	SOCKET COMP. .....	(3)	(3)	(3)	(3)		
16	37263-ZV5-821	PACKING .....	(1)	(1)	(1)	(1)		
17	37264-ZV5-821	PACKING .....	(2)	(2)	(2)	(2)		
18	37266-ZV5-821	BRACKET .....	(2)	(2)	(2)	(2)		
19	37305-KE5-008	SCREW-WASHER, 3X22 .....	(2)	(2)	(2)	(2)		
20	90309-ZV5-821	NUT, HEX., 5MM .....	(4)	(4)	(4)	(4)		





ZY9EY0700

Ref. No.	Part No.	Description	Reqd. QTY				Serial No.	Parts catalogue code
			BF 75D K2	BF 90D K2	BF 75D K3	BF 90D K4		

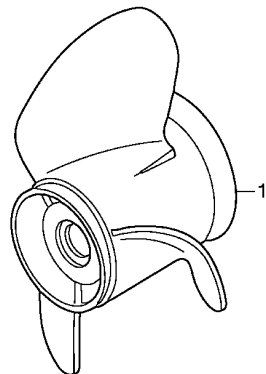
21	90310-ZV5-821	NUT, HEX., 4MM	(7)	(7)	(7)	(7)	
22	90550-ZV5-821	WASHER, SPRING, 5MM	(4)	(4)	(4)	(4)	
23	90560-ZV5-821	WASHER, SPRING, 4MM	(6)	(6)	(6)	(6)	

3

FOP-8

PROPELLER

J11

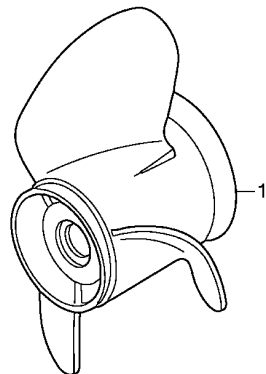


ZY9EY0800

Ref. No.	L.O.N.	(Relative ref. Number) Description	F.R.T.
1	2191A8	PROPELLER, THREE BLADES .....	0.2

Ref. No.	Part No.	Description	Reqd. QTY				Serial No.	Parts catalogue code
			BF 75D K2	BF 90D K2	BF 75D K3	BF 90D K4		
1	58130-ZW1-V03	PROPELLER COMP., THREE BLADES (13X19) (SUS)	(1)	(1)	(1)	(1)		
	58130-ZW1-V13	PROPELLER COMP., THREE BLADES (13X21) (SUS)	(1)	(1)	(1)	(1)		
	58130-ZW1-W03ZA	PROPELLER COMP., THREE BLADES (14X11) (AL)						
		*NH283*.....STIN GRAY	(1)	(1)	(1)	(1)		
	58130-ZW1-W13ZA	PROPELLER COMP., THREE BLADES (13-3/4X13) (AL)						
		*NH283*.....STIN GRAY	(1)	(1)	(1)	(1)		
	58130-ZW1-W33ZA	PROPELLER COMP., THREE BLADES (13-1/4X17) (AL)						
		*NH283*.....STIN GRAY	(1)	(1)	(1)	(1)		
	58130-ZW1-W43ZB	PROPELLER COMP., THREE BLADES (13X21) (AL)						
		*NH283*.....STIN GRAY	(1)	(1)	(1)	(1)		
	58130-ZW1-W63ZA	PROPELLER COMP., THREE BLADES (13X19) (AL)						
		*NH283*.....STIN GRAY	(1)	(1)	(1)	(1)		
	58130-ZW1-W93	PROPELLER COMP., THREE BLADES (13-1/4X17) (SUS)	(1)	(1)	(1)	(1)		
	58130-ZW7-U02	PROPELLER COMP., THREE BLADES (13-1/4X15) (SUS/HAC)	(1)	(1)	(1)	(1)		
	58130-ZW7-U12	PROPELLER COMP., THREE BLADES (13-1/4X17) (SUS/HAC)	(1)	(1)	(1)	(1)		
	58130-ZW7-U22	PROPELLER COMP., THREE BLADES (13-1/4X19) (SUS/HAC)	(1)	(1)	(1)	(1)		
	58130-ZW7-U32	PROPELLER COMP., THREE BLADES (13-1/4X21) (SUS/HAC)	(1)	(1)	(1)	(1)		

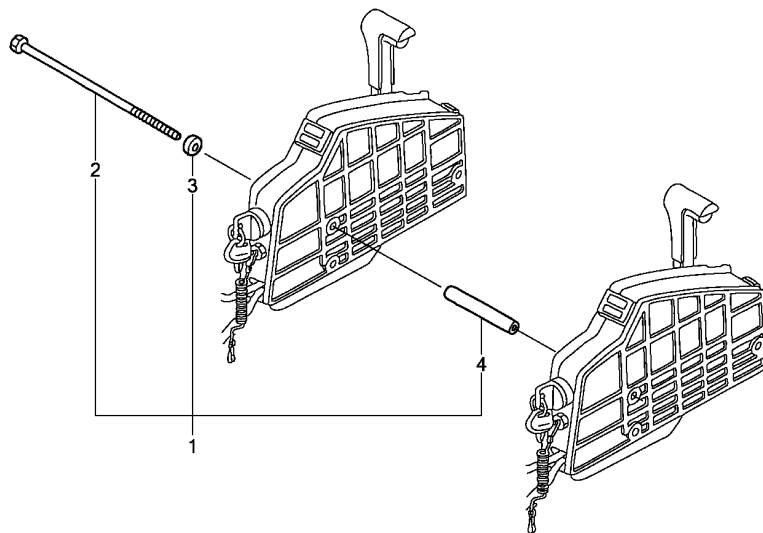
3



ZY9EY0800

3

Ref. No.	Part No.	Description	Reqd. QTY				Serial No.	Parts catalogue code
			BF 75D K2	BF 90D K2	BF 75D K3	BF 90D K4		
(1)	58130-ZZ0-D81ZB	PROPELLER COMP., THREE BLADES (13-1/5X19) *NH283*.....STIN GRAY	(1)	(1)	(1)	(1)		
	58130-ZZ0-D91ZB	PROPELLER COMP., THREE BLADES (13-1/5X21) *NH283*.....STIN GRAY	(1)	(1)	(1)	(1)		
	58130-ZW1-W23ZA	PROPELLER COMP., THREE BLADES (13-1/2X15) (AL) *NH283*.....STIN GRAY	(1)	(1)	-	-		
	58130-ZW1-W24ZA	*NH283*.....STIN GRAY	-	-	(1)	(1)		
	58130-ZY9-H01ZA	PROPELLER COMP., THREE BLADES (13-1/2X14) *NH283*.....STIN GRAY	-	-	(1)	(1)		

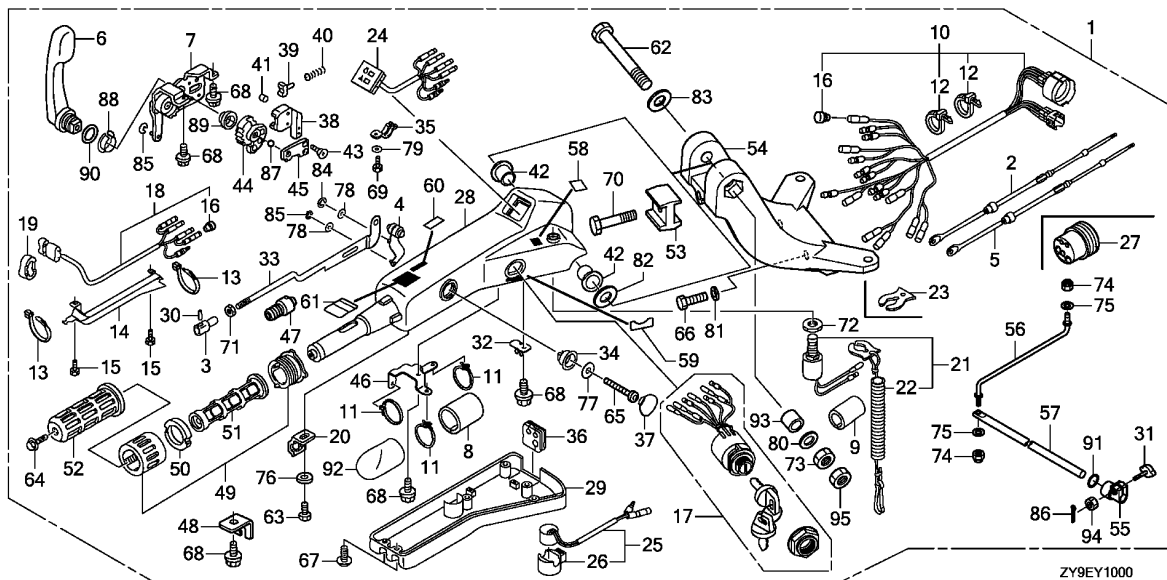


ZY9EY0800

Ref. L.O.N. (Relative ref. Number) F.R.T.  
No. Description

NO INFORMATION .....

Ref. No.	Part No.	Description	Reqd. QTY				Serial No.	Parts catalogue code
			BF 75D K2	BF 90D K2	BF 75D K3	BF 90D K4		
1	06900-ZW5-U00	BOLT KIT, SIDE REMOTE CONTROL	(1)	(1)	(1)	(1)		
2	90021-ZW5-U00	BOLT, SPECIAL, 6X220 .....	(3)	(3)	(3)	(3)		
3	90511-ZW5-U00	COLLAR, DISTANCE(A) .....	(3)	(3)	(3)	(3)		
4	90512-ZW5-U00	COLLAR, DISTANCE(B) .....	(3)	(3)	(3)	(3)		



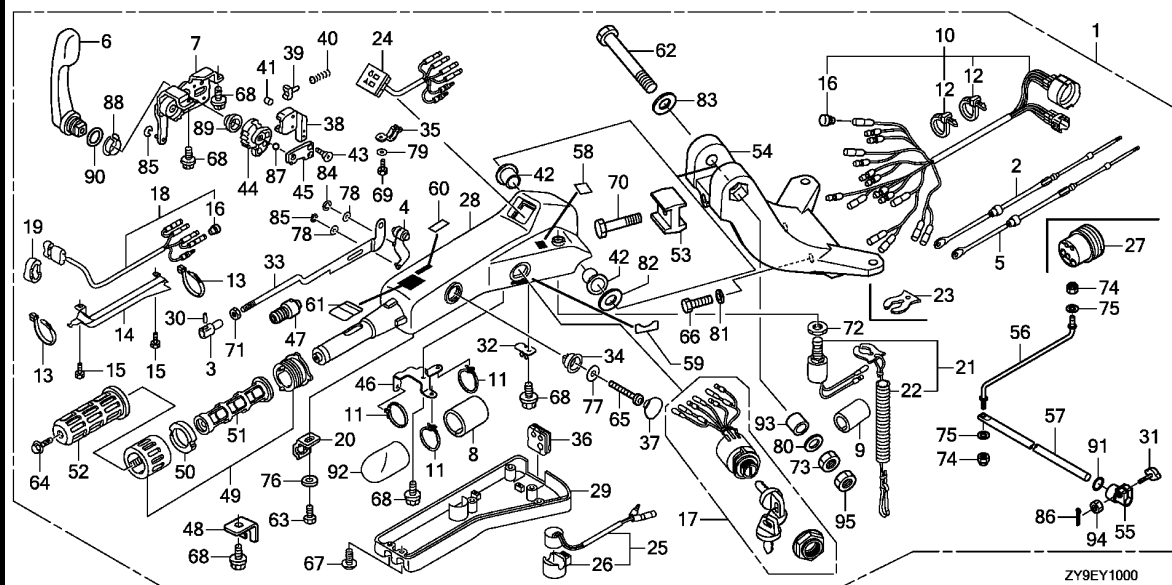
Ref. No.	L.O.N.	(Relative ref. Number) Description	F.R.T.
2	8111C8	CABLE, THROTTLE .....	0.5
5	8111F0	CABLE, SHIFT .....	0.5
6	2101L9	LEVER, SHIFT .....	0.1
7	5101N3	FRAME, SHIFT .....	0.8
10	6111G1	CABLE, LONG HANDLE .....	1.0
17	6151E1	SWITCH, COMBINATION .....	0.6
18	6161B0	SWITCH, POWER TRIM-TILT (STEERING HANDLE) .....	0.7
21	6151B8	SWITCH, EMERGENCY STOP .....	0.6
24	6161D9	LAMP, INDICATION (STEERING HANDLE) .....	0.7
25	6211C3	BUZZER, WARNING .....	0.5
28	5101G8	HOUSING, STEERING HANDLE .....	1.2
29	5101N4	COVER, STEERING HANDLE UNDER .....	0.4
42	5101G7	BUSH, STEERING HANDLE .....	0.3
.NOTE: Same time for two units			
44	5101N5	GEAR, STEERING HANDLE SHIFT ..	0.9
49		(50,51)	
	8101D8	GRIP, THROTTLE FRICTION .....	0.1
52	810151	RUBBER, STEERING HANDLE GRIP ..	0.2
54	8101C2	BRACKET, STEERING HANDLE .....	0.5

ZY9EY1000

Ref. No.	Part No.	Description	Reqd. QTY				Serial No.	Parts catalogue code
			BF 75D K2	BF 90D K2	BF 75D K3	BF 90D K4		
1	06533-ZY9-B29ZB	HANDLE KIT, STEERING *NHB14M* AQUA MARINE SILVER METALLIC	(1)	(1)	(1)	(1)		
2	17910-ZY9-701	CABLE COMP., THROTTLE .....	(1)	(1)	(1)	(1)		
3	17917-ZW9-000	PIVOT, THROTTLE CABLE .....	(1)	(1)	(1)	(1)		
4	17931-ZW4-H02	ARM, THROTTLE .....	(1)	(1)	(1)	(1)		
5	24590-ZY9-701	CABLE COMP., SHIFT .....	(1)	(1)	(1)	(1)		
6	24614-ZW4-H03	LEVER, SHIFT .....	(1)	(1)	(1)	(1)		
7	24615-ZW4-H03	FRAME ASSY., SHIFT .....	(1)	(1)	(1)	(1)		
8	32533-ZW4-H01	TUBE(38.1X40) .....	(1)	(1)	(1)	(1)		
9	32534-ZY9-A01	TUBE .....	(1)	(1)	(1)	(1)		
10	32538-ZY9-A01	CABLE ASSY., LONG HANDLE(A) ..	(1)	(1)	(1)	(1)		
11	32543-ZW4-H01	BAND(CONVEX CV-150) .....	(3)	(3)	(3)	(3)		
12	32544-ZW4-H01	BAND(CONVEX CV-200) .....	(2)	(2)	(2)	(2)		
13	32547-ZW4-H01	BAND(CONVEX) .....	(2)	(2)	(2)	(2)		
14	32548-ZW4-H01	COVER, WIRE .....	(1)	(1)	(1)	(1)		
15	32549-ZW4-H01	SCREW .....	(2)	(2)	(2)	(2)		
16	32823-ZV5-003	PLUG, INNER CONNECTOR .....	(13)	(13)	(13)	(13)		
17	35100-ZW4-H02	SWITCH ASSY., COMBINATION ...	(1)	(1)	(1)	(1)		
18	35640-ZW4-H11	SWITCH ASSY., POWER TILT ...	(1)	(1)	(1)	(1)		
19	35643-ZW4-H02	GROMMET .....	(1)	(1)	(1)	(1)		
20	35645-ZW4-H02	HOLDER, SWITCH .....	(1)	(1)	(1)	(1)		
21	36180-ZV5-033	SWITCH ASSY., EMERGENCY STOP	(1)	(1)	(1)	(1)		
22	36182-ZV4-651	CORD COMP., EMERGENCY .....	(1)	(1)	(1)	(1)		
23	36187-ZV4-652	CLIP, EMERGENCY LOCK .....	(1)	(1)	(1)	(1)		

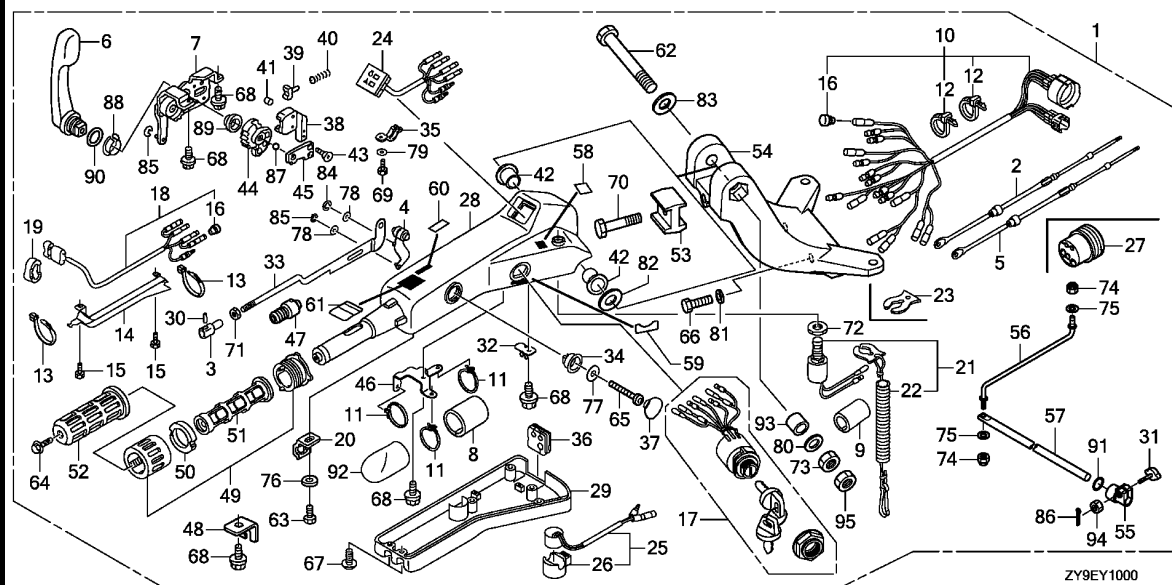
Ref. No.	Part No.	Description	Reqd. QTY				Serial No.	Parts catalogue code
			BF 75D K2	BF 90D K2	BF 75D K3	BF 90D K4		
24	37210-ZY9-A02	LAMP ASSY., INDICATOR .....	(1)	(1)	(1)	(1)		
25	38400-ZY9-A00	BUZZER ASSY., WARNING .....	(1)	(1)	(1)	(1)		
26	38402-ZY9-A00	SUSPENSION, WARNING BUZZER ..	(1)	(1)	(1)	(1)		
27	40105-ZY9-A00	GROMMET, STEERING HANDLE CABLE	(1)	(1)	(1)	(1)		
28	53101-ZY9-A02ZB	HOUSING *NHB14M* AQUA MARINE SILVER METALLIC	(1)	(1)	(1)	(1)		
29	53102-ZY9-A02	COVER, STEERING HANDLE UNDER	(1)	(1)	(1)	(1)		
30	53103-ZW9-000	PIN, THROTTLE CABLE .....	(1)	(1)	(1)	(1)		
31	53104-ZV3-000	BOLT, FRICTION .....	(1)	(1)	(1)	(1)		
32	53104-ZW4-H02	BRACKET, CABLE .....	(1)	(1)	(1)	(1)		
33	53105-ZY9-A01	PLATE ASSY., LOCK .....	(1)	(1)	(1)	(1)		
34	53106-ZW4-H01	STOPPER .....	(1)	(1)	(1)	(1)		
35	53107-ZW4-H02	PLATE, GUIDE .....	(1)	(1)	(1)	(1)		
36	53108-ZY9-A00	GROMMET .....	(1)	(1)	(1)	(1)		
37	53109-ZW4-H02	CAP .....	(1)	(1)	(1)	(1)		
38	53112-ZW4-H02	GUIDE, SPRING .....	(1)	(1)	(1)	(1)		
39	53113-ZW4-H01	ACTUATOR .....	(1)	(1)	(1)	(1)		
40	53114-ZW4-H01	SPRING, COIL .....	(1)	(1)	(1)	(1)		
41	53116-ZW4-H01	ROLLER .....	(1)	(1)	(1)	(1)		
42	53116-ZW4-H11	BUSH, STEERING HANDLE .....	(2)	(2)	(2)	(2)		
43	53117-ZW4-H01	SCREW(M5X14) .....	(4)	(4)	(4)	(4)		
44	53118-ZW4-H03	GEAR, SHIFT .....	(1)	(1)	(1)	(1)		
45	53119-ZW4-H02	PLATE, BALL GUIDE .....	(1)	(1)	(1)	(1)		
46	53121-ZW4-H02	BRACKET .....	(1)	(1)	(1)	(1)		
47	53122-ZW4-H01	ROD, GROMMET .....	(1)	(1)	(1)	(1)		
48	53123-ZW4-H01	CLAMP, BRACKET .....	(1)	(1)	(1)	(1)		
49	53130-ZW9-000	GRIP ASSY., THROTTLE FRICTION	(1)	(1)	(1)	(1)		
50	53133-ZW9-000	PAD, THROTTLE FRICTION .....	(1)	(1)	(1)	(1)		
51	53141-ZW4-H00	PIPE, GRIP .....	(1)	(1)	(1)	(1)		
52	53165-ZW9-000	RUBBER, GRIP .....	(1)	(1)	(1)	(1)		
53	53232-ZY9-A00	BLOCK, HEIGHT ADJUSTER .....	(1)	(1)	(1)	(1)		
54	53233-ZY9-A00ZB	BRACKET B, STEERING *NHB14M* AQUA MARINE SILVER METALLIC	(1)	(1)	(1)	(1)		
55	53236-ZW1-700	BLOCK, STEERING FRICTION ....	(1)	(1)	(1)	(1)		
56	53238-ZW1-700	ROD, STEERING FRICTION .....	(1)	(1)	(1)	(1)		
57	53239-ZW1-701	SHAFT, STEERING FRICTION ....	(1)	(1)	(1)	(1)		
58	87124-ZW6-U80	MARK, EMERGENCY SWITCH INDICATION(EU)	(1)	(1)	(1)	(1)		
59	87125-ZW1-700	MARK, STARTER(ENGLISH) .....	(1)	(1)	(1)	(1)		
60	87511-ZW9-620	MARK, CHANGE .....	(1)	(1)	(1)	(1)		
61	87532-ZW9-620	MARK, THROTTLE(ENGLISH/FRENCH)	(1)	(1)	(1)	(1)		
62	90101-ZW4-H00	BOLT, HEX., 12X80 .....	(1)	(1)	(1)	(1)		
63	90102-ZW4-H01	BOLT(M5X8) .....	(1)	(1)	(1)	(1)		
64	90102-ZW9-000	BOLT, FLANGE, 6X12 .....	(1)	(1)	(1)	(1)		
65	90103-ZW4-H02	BOLT(M8X50) .....	(1)	(1)	(1)	(1)		
66	90103-ZY3-000	BOLT, HEX., 10X32 .....	(2)	(2)	(2)	(2)		
67	90104-ZW4-H01	BOLT(M5X12) .....	(6)	(6)	(6)	(6)		



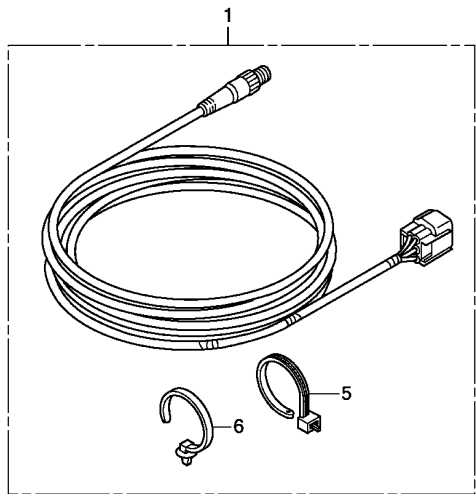
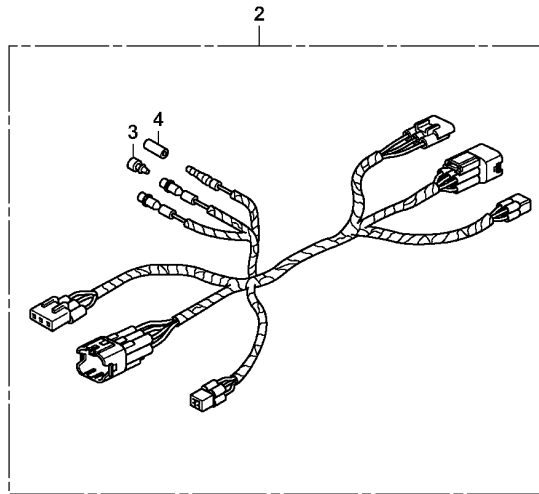


ZY9EY1000

Ref. No.	Part No.	Description	Reqd. QTY				Serial No.	Parts catalogue code
			BF 75D K2	BF 90D K2	BF 75D K3	BF 90D K4		
68	90105-ZW4-H02	BOLT (M6X12)	(5)	(5)	(5)	(5)		
69	90106-ZW4-H01	BOLT (M5X12)	(3)	(3)	(3)	(3)		
70	90118-HW1-671	BOLT, FLANGE, 8X28	(1)	(1)	(1)	(1)		
71	90301-ZW4-H01	NUT, HEX., 5MM	(1)	(1)	(1)	(1)		
72	90302-921-000	NUT, HEX., 16MM	(1)	(1)	(1)	(1)		
73	90303-ZW4-H00	NUT, HEX., 12MM	(1)	(1)	(1)	(1)		
74	90305-ZV4-000	NUT, SELF-LOCK, 8MM	(2)	(2)	(2)	(2)		
75	90401-ZW1-000	WASHER, PLAIN, 8MM	(2)	(2)	(2)	(2)		
76	90501-ZW4-H01	WASHER, 5MM	(1)	(1)	(1)	(1)		
77	90502-ZW4-H02	WASHER, 8MM	(1)	(1)	(1)	(1)		
78	90503-ZW4-H01	WASHER, 10MM	(2)	(2)	(2)	(2)		
79	90504-ZW4-H01	WASHER, 5MM	(3)	(3)	(3)	(3)		
80	90506-ZV1-000	WASHER, WAVE, 14MM	(1)	(1)	(1)	(1)		
81	90514-ZV4-000	WASHER, 10MM	(2)	(2)	(2)	(2)		
82	90552-ZV5-000	WASHER, PLAIN, 12MM	(1)	(1)	(1)	(1)		
83	90559-ZV5-000	WASHER, PLAIN, 12MM	(1)	(1)	(1)	(1)		
84	90651-ZW4-H01	E-RING	(1)	(1)	(1)	(1)		
85	90652-ZW4-H01	E-RING	(2)	(2)	(2)	(2)		
86	90759-ZV1-000	PIN, SPLIT, 2.0	(1)	(1)	(1)	(1)		
87	90951-ZY9-A01	BALL, STEEL	(1)	(1)	(1)	(1)		
88	91051-ZW4-H02	BEARING	(1)	(1)	(1)	(1)		
89	91052-ZW4-H01	BEARING	(1)	(1)	(1)	(1)		
90	91304-HP5-601	O-RING, 20.6X1.9	(1)	(1)	(1)	(1)		
91	91352-ZV5-000	O-RING, 15.54X2.26	(1)	(1)	(1)	(1)		



Ref. No.	Part No.	Description	Reqd. QTY				Serial No.	Parts catalogue code
			BF 75D K2	BF 90D K2	BF 75D K3	BF 90D K4		
92	91451-ZY9-A00	TUBE, CORD, 40MM .....	(1)	(1)	(1)	(1)		
93	91552-ZW4-H00	COLLAR, DISTANCE, 12.2X23X16 .....	(1)	(1)	(1)	(1)		
94	94002-06490-0S	NUT, HEX., 6MM .....	(1)	(1)	(1)	(1)		
95	94002-12490-0S	NUT, HEX., 12MM .....	(1)	(1)	(1)	(1)		



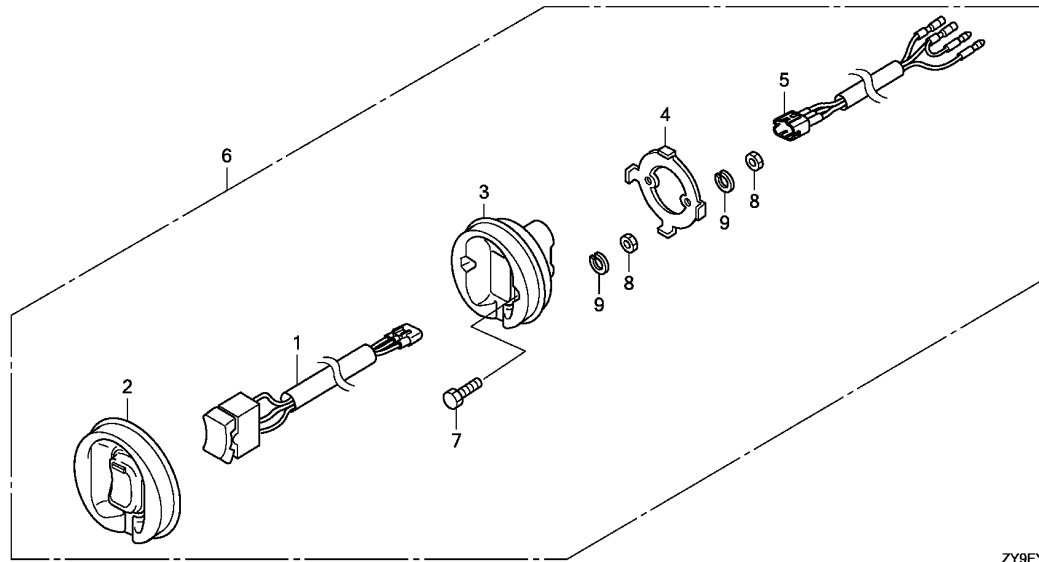
ZY9EY1100

Ref. L.O.N. (Relative ref. Number) F.R.T.  
No. Description

NO INFORMATION .....

3

Ref. No.	Part No.	Description	Reqd. QTY				Serial No.	Parts catalogue code
			BF 75D K2	BF 90D K2	BF 75D K3	BF 90D K4		
1	06328-ZZ3-762	KIT, CABLE(NMEA)(6FT) .....	-	-	(1)	(1)		
2	32186-ZZ3-000	HARNESS ASSY., REMOTE CONTROL SUB	-	-	(1)	(1)		
3	32823-ZV5-003	PLUG, INNER CONNECTOR .....	-	-	(2)	(2)		
4	32824-ZV5-003	PLUG, OUTER CONNECTOR .....	-	-	(1)	(1)		
5	90650-ZY1-003	TIE, CABLE .....	-	-	(2)	(2)		
6	91540-STK-003	CLIP, HARNESS BAND(BLACK) (155.3MM)	-	-	(2)	(2)		



ZY9EY1200

Ref. No.	L.O.N. (Relative ref. Number)	Description	F.R.T.
----------	-------------------------------	-------------	--------

NO INFORMATION .....

Ref. No.	Part No.	Description	Reqd. QTY				Serial No.	Parts catalogue code
			BF 75D K2	BF 90D K2	BF 75D K3	BF 90D K4		
1	35340-ZZ3-741	SWITCH ASSY., TROLLING CONTROL	-	-	(1)	(1)		
2	35341-ZZ3-740	RUBBER, TROLLING CONTROL SWITCH PANEL	-	-	(1)	(1)		
3	35342-ZZ3-740	BODY, TROLLING CONTROL SWITCH PANEL	-	-	(1)	(1)		
4	35343-ZZ3-740	BRACKET, TROLLING CONTROL SWITCH PANEL	-	-	(1)	(1)		
5	35344-ZZ3-740	HARNESS, TROLLING CONTROL SWITCH PANEL	-	-	(1)	(1)		
6	35345-ZZ3-741	PANEL ASSY., TROLLING CONTROL	-	-	(1)	(1)		
7	92101-04020-4J	BOLT, HEX., 4X20 .....	-	-	(2)	(2)		
8	94001-04490-0S	NUT, HEX., 4MM .....	-	-	(4)	(4)		
9	94111-04500	WASHER, SPRING, 4MM .....	-	-	(4)	(4)		



# PART NO. INDEX

L 2

Part Number	Address	Page	Ref.	Part Number	Address	Page	Ref.	Part Number	Address	Page	Ref.	Part Number	Address	Page	Ref.	Part Number	Address	Page	Ref.
17738-ZY3-000	G3	67	17	19277-ZY9-000	F11	59	4	24630-ZY9-000	F4	52	18	24817-ZW5-U01	I4	100	10				
17742-ZZ5-003	G3	67	18	19279-ZW9-000	F11	59	5	24800-ZW1-V21	H15	95	1		I6	102	10	24834-ZW5-U21	I8	104	19
17743-ZZ5-003	G3	67	19	19286-ZW1-B00	F8	56	1	24800-ZZ5-040	H10	90	2		I8	104	11		I10	106	19
17838-ZV5-000	F4	52	1	19289-ZY6-000	G12	76	5	24800-ZZ5-782	H10	90	2		I10	106	11	24836-ZV5-000	H11	91	13
17840-ZY9-000	F4	52	2	19290-ZY6-003	F11	59	6	24810-ZW5-U01	I4	100	3	24817-ZW7-U01	I12	108	9	24836-ZW1-V21	H15	95	14
17845-ZY6-000	F4	52	3	19291-ZW9-000	F11	59	7		I8	104	3		I14	110	9	24839-ZW1-V01	H15	95	15
17860-ZY9-000	F4	52	4	19295-ZY9-000	F11	59	8		I10	106	3	24818-ZV5-003	H10	90	10	24841-ZV5-000	H11	91	14
17877-ZY9-000	F4	52	5	19297-ZW9-000	F11	59	9	24810-ZW5-U11	I6	102	3	24818-ZW5-U01	I4	100	11	24841-ZW1-V01	H15	95	16
17878-ZY9-000	F4	52	6	19300-ZW9-003	D4	26	9		I8	104	4		I6	102	11	24843-ZW1-V01	H15	95	17
17910-ZY9-701	F1	49	1	19300-ZY6-003	D2	24	15		I10	106	4		I8	104	12	24845-ZV5-000	H11	91	15
	J14	126	2	19312-ZW4-H00	F11	59	10	24810-ZW7-U01	I12	108	2		I10	106	12	24845-ZW1-V01	H15	95	18
17917-ZW9-000	F1	49	2	19315-ZW9-000	D2	24	16	24810-ZW7-U11	I14	110	2	24819-ZV5-000	G12	76	6	24847-ZW1-V01	H15	95	19
	J14	126	3	19315-ZY9-000	D4	26	10	24811-ZV5-010	H10	90	3	24819-ZW1-V21	H15	95	6	24848-ZW1-V01	H15	95	20
17931-ZW4-H02	F1	49	3	19315-ZY9-H00	D4	26	10	24811-ZW1-V21	H15	95	2	24819-ZW5-U01	I4	100	12	24850-ZV5-000	H11	91	16
	J14	126	4	19317-ZW9-000	D2	24	17	24811-ZW5-U01	I4	100	4		I6	102	12	24854-ZV5-000	H11	91	17
17931-ZY6-000	F4	52	7		D4	26	11		I6	102	4		I8	104	13	24855-ZV5-000	H11	91	18
17936-921-000	F4	52	8		F11	59	11		I8	104	5		I10	106	13	24860-ZV5-000	H11	91	19
				19361-ZY9-010	D2	24	18		I10	106	5	24820-ZV5-010	H10	90	11	24865-ZV5-000	H11	91	20
18000				19371-ZY9-000	D2	24	19	24811-ZW7-U01	I12	108	3	24820-ZW1-V21	H15	95	7	24865-ZW1-V01	H15	95	21
				19526-PN4-000	E2	40	14		I14	110	3	24820-ZW5-U01	I4	100	13	24870-ZW1-V21	H16	96	22
18211-ZY9-000	G12	76	1					24812-ZV5-000	H10	90	4		I6	102	13	24873-ZW1-V01	H16	96	23
18334-MT8-770	J6	118	3	23000				24812-ZW1-V21	H15	95	3	24820-ZW5-U21	I8	104	14	24875-ZV5-000	H11	91	21
	J8	120	2					24812-ZW5-U01	I4	100	5		I10	106	14	24876-ZV5-000	H11	91	22
									I8	104	6	24821-ZW1-003	H15	95	8	24878-ZV5-000	H11	91	23
19000				23170-ZY9-010ZA	F11	59	12	24812-ZW5-U11	I6	102	5	24822-ZW1-V21	H15	95	9	24881-ZV5-000	H11	91	24
				23172-ZY9-003	D7	29	7		I10	106	6	24825-ZW1-V01	H15	95	10	24883-ZV5-000	H11	91	25
								24812-ZW7-U01	I12	108	4	24825-ZW5-U01	I4	100	14	24883-ZW1-V01	H16	96	24
19210-ZW1-B04	F13	61	1	24000					I14	110	4		I6	102	14	24884-ZV5-000	H11	91	26
	I3	99	3					24813-ZV5-000	H10	90	5		I8	104	15	24885-ZV5-000	H11	91	27
19210-ZY9-H01	F13	61	1	24101-ZZ0-010	F15	63	1	24813-ZW1-V21	H15	95	4		I10	106	15	24887-ZV5-000	H11	91	28
	I3	99	3	24102-ZW1-B00	F15	63	2	24813-ZW5-U01	I4	100	6	24826-ZW5-U01	I4	100	15	24891-ZV5-000	H11	91	29
19221-ZY6-000	F13	61	2	24103-ZW1-B00	F15	63	3		I6	102	6		I6	102	15	24892-ZV5-000	H11	91	30
	I3	99	4	24113-ZZ0-000	F15	63	4		I8	104	7		I8	104	16	24894-ZV5-000	H11	91	31
19221-ZY9-H00	F13	61	2	24122-ZZ0-000	F15	63	5		I10	106	7		I10	106	16	24895-ZV5-000	H11	91	32
	I3	99	4	24123-ZZ0-000	F15	63	6	24813-ZW5-U21	I8	104	8		I12	108	10	24897-ZV5-000	H11	91	33
19223-ZW1-B00	F13	61	3	24124-ZZ0-000	F15	63	7		I10	106	8		I14	110	10	24898-ZV5-000	H11	91	34
	I3	99	5	24210-ZV1-010	G14	78	3	24813-ZW7-U01	I12	108	5	24829-ZW1-003	H15	95	11	24910-ZY3-003	I16	112	1
19223-ZY9-H00	F13	61	3	24210-ZW1-010	F4	52	9		I14	110	5	24830-ZV5-010	H10	90	12		J3	115	1
	I3	99	5	24221-ZV4-010	G14	78	4	24814-ZV5-010	H10	90	6	24830-ZW1-V21	H15	95	12	24911-ZW1-003	H16	96	25
19231-ZY6-000	F13	61	4	24221-ZY9-000	F4	52	10	24814-ZW5-U01	I4	100	7	24830-ZW7-U01	I12	108	11	24911-ZW1-V00	H16	96	25
	I3	99	6	24310-ZZ0-000	F13	61	10		I6	102	7		I14	110	11	24911-ZW7-U01	I16	112	1
19231-ZY9-H00	F13	61	4	24318-ZY3-000	F13	61	11		I8	104	9	24831-ZW5-U01	I4	100	16		J3	115	1
	I3	99	6	24320-ZW1-B00	F13	61	12		I10	106	9		I6	102	16	24911-ZY3-003	I16	112	1
19234-ZW1-B00	F13	61	5	24320-ZY9-610	F13	61	12	24814-ZW7-U01	I12	108	6		I8	104	17		J3	115	1
	I3	99	7	24327-ZW1-000	F13	61	13		I14	110	6		I10	106	17	24912-ZW1-003	H16	96	25
19241-ZZ0-000	F13	61	6	24343-ZW1-B02	F13	61	14	24815-ZV5-010	H10	90	7		I12	108	12	24912-ZW1-V00	H16	96	25
19242-ZW1-B00	F13	61	7	24343-ZY9-H00	F13	61	14	24815-ZW5-U01	I4	100	8		I14	110	12	24912-ZW7-U01	I16	112	1
	I3	99	8	24590-ZY9-701	F1	49	4		I6	102	8	24832-ZW5-U01	I4	100	17		J3	115	1
19251-ZY9-000	F13	61	8		J14	126	5	24815-ZW7-U01	I12	108	7		I6	102	17	24912-ZY3-003	I16	112	1
19251-ZY9-610	F13	61	8	24612-ZY9-000	F4	52	11		I14	110	7		I8	104	18		J3	115	1
19252-ZW1-000	D7	29	5	24614-ZW4-H03	F1	49	5	24816-ZV5-000	H10	90	8		I10	106	18	24913-ZW1-003	H16	96	25
19253-ZW1-B01	F13	61	9		J14	126	6	24816-ZW1-V21	H15	95	5		I12	108	13	24913-ZW1-V00	H16	96	25
	I3	99	9	24614-ZY9-000	F4	52	12	24816-ZW5-U01	I4	100	9		I14	110	13	24913-ZW7-U01	I16	112	1
19254-ZY9-000	D7	29	6	24615-ZW4-H03	F1	49	6		I6	102	9	24832-ZW7-U01	I12	108	14		J3	115	1
19255-ZY9-000	E5	43	43		J14	126	7		I8	104	10		I14	110	14	24913-ZY3-003	I16	112	1
19256-ZY9-000	F11	59	3	24618-ZY3-000	F4	52	13		I10	106	10	24833-ZW7-U01	I12	108	15		J3	115	1
19269-ZY6-000	E1	39	16	24618-ZY9-000	F4	52	14		I12	108	8		I14	110	15	24914-ZW1-003	H16	96	25
19270-ZY3-000	G12	76	2	24619-ZY3-000	F4	52	15		I14	110	8	24834-ZW1-003	H15	95	13	24914-ZW1-V00	H16	96	25
19271-ZY3-000	G12	76	3	24628-ZY9-000	F4	52	16	24817-ZV5-000	H10	90	9	24834-ZW5-U01	I4	100	18	24914-ZW7-U01	I16	112	1
19272-ZY3-000	G12	76	4	24629-ZW1-000	F4	52	17												



# PART NO. INDEX

L 3

Part Number	Address	Page	Ref.	Part Number	Address	Page	Ref.	Part Number	Address	Page	Ref.	Part Number	Address	Page	Ref.	Part Number	Address	Page	Ref.
24914-ZW7-U01	J3	115	1	24925-ZY3-003	J1	113	1	30416-ZY9-H00	G8	72	1	32100-ZZ0-A00	G4	68	1				
24914-ZY3-003	I16	112	1		J5	117	1	30419-ZY9-003	D15	37	9	32100-ZZ0-A40	G4	68	1	32545-ZZ5-000	J14	126	12
	J3	115	1	24926-ZW7-U01	J1	113	1		G8	72	2	32100-ZZ0-H00	G4	68	1	J6	118	8	
24915-ZW1-003	H16	96	25		J5	117	1	30421-ZY9-000	E8	46	1	32100-ZZ0-H30	G4	68	1	J8	120	4	
24915-ZW1-V00	H16	96	25	24926-ZY3-003	J1	113	1	30424-ZY9-000	E8	46	2	32100-ZZ0-L40	G4	68	1	F1	49	12	
24915-ZW7-U01	I16	112	1		J5	117	1	30520-PWC-S01	E7	45	1	32101-ZY9-000	G4	68	2	J14	126	13	
	J3	115	1	24927-ZW7-U01	J1	113	1	30530-RGA-004	D4	26	12	32103-ZY9-000	G4	68	3	F1	49	13	
24915-ZY3-003	I16	112	1		J5	117	1					32104-ZY9-H00	G4	68	11	J14	126	14	
	J3	115	1	24927-ZY3-003	J1	113	1	31000				32111-ZY9-000	D13	35	2	F1	49	14	
24916-ZW1-003	H16	96	25		J5	117	1					32112-ZY9-000	E2	40	15	J14	126	15	
24916-ZW1-V00	H16	96	25	24928-ZW7-U01	J1	113	1	31106-ZY3-003	H3	83	2	32113-ZY9-000	D13	35	3	32550-ZW5-U00	J9	121	6
24916-ZW7-U01	I16	112	1		J5	117	1	31110-ZY9-000ZA	D9	31	12	32114-ZW9-730	D4	26	13	G6	70	8	
	J3	115	1	24928-ZY3-003	J1	113	1	31110-ZY9-000ZB	D9	31	12	32114-ZY9-000	D3	25	22	J6	118	9	
24916-ZY3-003	I16	112	1		J5	117	1	31145-ZY9-000	G9	73	1	32115-ZY9-000	D13	35	4	J6	118	9	
	J3	115	1	24929-ZW7-U01	J1	113	1	31200-ZY9-003	E9	47	1	32121-HA0-003	G6	70	2	J6	118	9	
24917-ZW1-003	I1	97	25		J5	117	1	31200-ZY9-H01	E9	47	1	32127-ZZ3-000	G4	68	12	G6	70	9	
24917-ZW1-V00	I1	97	25	24929-ZY3-003	J1	113	1	31207-ZY3-003	E9	47	2	32128-ZY3-000	D15	37	10	F1	49	15	
24917-ZW7-U01	I16	112	1		J5	117	1	31207-ZY9-H01	E9	47	2	32161-404-000	G10	74	1	G10	74	3	
	J3	115	1	24930-ZW7-U01	J1	113	1	31215-PY3-004	E9	47	3	32161-KM3-003	F6	54	3	H11	91	36	
24917-ZY3-003	J1	113	1		J5	117	1	31216-ZY9-003	E9	47	4	32166-ZY9-013	E5	43	44	I2	98	4	
	J4	116	1	24930-ZY3-003	J1	113	1	31217-ZW1-004	E9	47	5	32167-ZW5-650	I1	97	27	J6	118	10	
24918-ZW1-003	I1	97	25		J5	117	1	31218-PY3-004	E9	47	6	32168-ZW5-003	E5	43	45	J8	120	5	
24918-ZW1-V00	I1	97	25	24931-ZW1-V00	I1	97	26	31226-ZY9-003	E9	47	7	32185-ZZ5-600	G6	70	3	J9	121	7	
24918-ZW7-U01	J1	113	1		J1	113	1	31226-ZY9-H01	E10	48	20		J6	118	4	J14	126	16	
	J4	116	1	24931-ZW7-U01	J5	117	1	31227-ZY9-H01	E9	47	7	32185-ZZ5-700	J6	118	4	K2	130	3	
24918-ZY3-003	J1	113	1		J5	117	1	31229-ZW1-004	E9	47	8	32185-ZZ5-800	J6	118	4	F1	49	16	
	J4	116	1	24931-ZY3-003	J1	113	1	31229-ZY9-H01	E9	47	8	32186-ZZ3-000	K2	130	2	G10	74	4	
24919-ZW1-003	I1	97	25		J5	117	1	31229-ZY9-H01	E9	47	8	32186-ZZ3-000	K2	130	2	H11	91	37	
24919-ZW1-V00	I1	97	25	24932-ZW7-U01	J2	114	1	31231-ZY9-003	E9	47	9	32341-ZZ5-763	J6	118	5	I2	98	5	
24919-ZW7-U01	J1	113	1		J5	117	1	31231-ZY9-H01	E9	47	9	32341-ZZ5-792	J6	118	5	J7	119	11	
	J4	116	1	24932-ZY3-003	J2	114	1	31235-ZY6-003	E9	47	10	32346-ZZ5-003	J8	120	3	J8	120	6	
24919-ZY3-003	J1	113	1		J5	117	1	31236-ZY6-003	E9	47	11	32346-ZZ5-761	J6	118	6	J9	121	8	
	J4	116	1	24933-ZW7-U01	J2	114	1	31240-ZY6-003	E9	47	12	32346-ZZ5-781	J8	120	3	K2	130	4	
24920-ZW1-003	I1	97	25		J5	117	1	31240-ZY9-003	E9	47	12	32346-ZZ5-791	J6	118	6	32901-952-770	G6	70	10
24920-ZW1-V00	I1	97	25	24933-ZY3-003	J2	114	1	31242-ZY6-003	E9	47	13	32347-ZZ5-761	J6	118	7	H11	91	38	
24920-ZW7-U01	J1	113	1		J5	117	1	31242-ZY9-H01	E9	47	13	32410-ZY9-000	G6	70	4	J7	119	12	
	J4	116	1	24934-ZW7-U01	J2	114	1	31246-ZY3-003	E9	47	14	32411-ZY3-003	G6	70	5				
24920-ZY3-003	J1	113	1		J5	117	1	31246-ZY9-H01	E9	47	14	32418-ZY9-000	G6	70	6	34000			
	J4	116	1	24934-ZY3-003	J2	114	1	31247-ZW1-004	E9	47	15	32435-ZY9-000	G6	70	7				
24921-ZW1-003	I1	97	25		J5	117	1	31249-ZW1-004	E9	47	16	32435-ZY9-A40	G6	70	7	34750-ZY9-023	E8	46	3
24921-ZW1-V00	I1	97	25	24935-ZW7-U01	J2	114	1	31250-ZW1-004	E9	47	17	32530-ZW7-U00	I4	100	19	34750-ZY9-033	E8	46	3
24921-ZW7-U01	J1	113	1		J5	117	1	31251-ZY9-H01	E10	48	24		I9	105	20	34750-ZY9-H01	E8	46	9
	J4	116	1	24935-ZY3-003	J2	114	1	31261-ZW1-004	E9	47	18		I11	107	20	34750-ZZ0-033	E8	46	3
24921-ZY3-003	J1	113	1		J5	117	1	31630-ZY9-003	E6	44	1	32530-ZW7-U10	I6	102	19	34750-ZZ0-043	E8	46	3
	J4	116	1	24936-ZW7-U01	J2	114	1	31630-ZY9-H01	E6	44	1		I9	105	21	34750-ZZ0-H01	E8	46	9
24922-ZW7-U01	J1	113	1		J5	117	1	31631-ZY9-003	E6	44	2		I11	107	21	34754-ZY9-000	E8	46	4
	J4	116	1	24937-ZW7-U01	J2	114	1	31631-ZY9-H01	E6	44	2	32530-ZW7-U20	I12	108	16	34754-ZY9-H00	E8	46	4
24922-ZY3-003	J1	113	1		J5	117	1	31632-ZY9-003	E6	44	3		I14	110	16	34908-MB9-871	G10	74	5
	J4	116	1	24938-ZW7-U01	J2	114	1	31750-ZY9-003	D2	24	20	32530-ZZ5-000	H11	91	35	J9	121	9	
24923-ZW7-U01	J1	113	1		J5	117	1	31754-ZY9-000	D2	24	21	32533-ZW4-H01	F1	49	7	G10	74	6	
	J4	116	1	28000				31916-ZY9-H01	E7	45	3		J14	126	8	J9	121	10	
24923-ZY3-003	J1	113	1					32000				32534-ZY9-A01	F1	49	8				
	J4	116	1	28461-ZH8-013	H9	89	1						J14	126	9	35000			
24924-ZW7-U01	J1	113	1		H9	89	2	32100-ZY9-000	G4	68	1	32538-ZY9-A01	F1	49	9				
	J4	116	1	28462-ZW9-003				32100-ZY9-A00	G4	68	1		J14	126	10	35100-ZV5-013	H12	92	39
24924-ZY3-003	J1	113	1					32100-ZY9-A40	G4	68	1	32540-ZZ3-000	G10	74	2	J7	119	13	
	J5	117	1	30000				32100-ZY9-H00	G4	68	1	32540-ZZ3-740	I2	98	3	J8	120	7	
24925-ZW7-U01	J1	113	1					32100-ZY9-H30	G4	68	1	32543-ZW4-H01	F1	49	10	F1	49	17	
	J5	117	1	30280-ZY3-003	H3	83	1	32100-ZZ0-000	G4	68	1		J14	126	11	J14	126	17	
				30416-ZY9-000	G8	72	1						F1	49	11	I1	97	28	

4

# PART NO. INDEX

L 4

Part Number	Address	Page	Ref.	Part Number	Address	Page	Ref.	Part Number	Address	Page	Ref.	Part Number	Address	Page	Ref.	Part Number	Address	Page	Ref.
35182-ZW1-003	I1	97	29					38402-ZY9-A00	F2	50	25	41112-ZW1-B33	F13	61	16	53000			
35340-ZZ3-741	K3	131	1	36187-ZV4-652	J14	126	22		J15	127	26	41116-ZW1-B00	F13	61	17				
35341-ZZ3-740	K3	131	2		H9	89	3	38403-341-672	H12	92	46	41131-ZW1-B01	F13	61	18	53101-ZY9-A02ZB	F2	50	26
35342-ZZ3-740	K3	131	3		H12	92	44		J7	119	19	41140-ZZ0-010	F15	63	8		J15	127	28
35343-ZZ3-740	K3	131	4		J7	119	16		J8	120	12	41151-ZY9-H00	F15	63	9	53102-ZY9-A02	F2	50	27
35344-ZZ3-740	K3	131	5		J14	126	23	38410-ZV5-003	H12	92	47	41151-ZZ0-000	F15	63	9		J15	127	29
35345-ZZ3-741	K3	131	6	36533-P3F-A01	E1	39	18		J7	119	20	41160-ZZ0-010	F15	63	10	53103-ZW9-000	F2	50	28
35370-ZV5-823	H12	92	40	36550-ZY9-003	D14	36	10		J8	120	13	41161-ZZ0-000	F15	63	11		J15	127	30
35370-ZW1-V01	I1	97	30	36551-ZY6-003	D14	36	11	38414-ZZ5-003	J7	119	21	41172-ZV5-000	F6	54	14	53104-ZV3-000	H2	82	1
35370-ZW5-U02	I5	101	20						J8	120	14		F7	55	46		J15	127	31
	I9	105	22	37000				38550-ZY9-003	G6	70	16	41173-ZY9-000	F6	54	15	53104-ZW4-H02	F2	50	29
	I11	107	22					38551-ZW1-000	G5	69	16	41201-ZW1-B02ZC	F15	63	12		J15	127	32
35370-ZW5-U12	I7	103	20	37202-ZW5-U01	J9	121	11		G6	70	17					53105-ZY9-A01	F2	50	30
	I9	105	23	37205-ZZ5-762	J7	119	17	38552-ZY9-000	G6	70	18	46000					J15	127	33
	I11	107	23	37210-ZY9-A02	F1	49	23	38553-ZY9-003	G6	70	19					53106-ZW4-H01	F2	50	31
35370-ZW7-U02	I12	108	17		J15	127	24	38580-ZY9-003	G6	70	20	46391-VM0-003	F4	52	21		J15	127	34
	I14	110	17	37210-ZZ5-013	H12	92	45									53107-ZW4-H02	F2	50	32
35470-ZY9-013	F4	52	19	37210-ZZ5-712	J8	120	11	40000				50000					J15	127	35
35470-ZY9-023	F4	52	19	37210-ZZ5-762	J7	119	18									53108-ZY9-A00	F2	50	33
35475-ZY9-010	F4	52	20	37215-KM1-670	G10	74	7	40102-ZV5-000	D13	35	6	50100-ZY9-020	G14	78	6		J15	127	36
35490-ZW9-003	D4	26	14		J9	121	12		F6	54	6	50111-ZY9-000ZB	F6	54	16	53109-ZW4-H02	F2	50	34
35490-ZY9-004	D4	26	15	37226-MZ5-008	J9	121	13		G9	73	2	50151-ZZ0-000	G14	78	7		J15	127	37
35640-ZW4-H11	F1	49	18	37250-ZV7-913	G10	74	8		G12	76	9	50153-ZY9-000	G14	78	8	53112-ZW4-H02	F2	50	35
	J14	126	18	37253-ZV5-821	G10	74	9	40105-ZY9-000	F6	54	7	50155-ZZ0-000	F6	54	17		J15	127	38
35640-ZY9-003	G12	76	7	37256-ZV5-821	G10	74	10	40105-ZY9-A00	F6	54	7	50156-ZY9-000	F7	55	18	53113-ZW4-H01	F2	50	36
35643-ZW4-H02	F1	49	19	37258-ZV5-821	G10	74	11		J15	127	27	50157-ZY9-000	F7	55	19		J15	127	39
	J14	126	19	37258-ZV5-U01	J9	121	14	40107-ZV5-000	F6	54	8	50158-ZY9-000	G14	78	9	53114-ZW4-H01	F2	50	37
35645-ZW4-H02	F1	49	20	37258-ZW5-U01	J9	121	15	40107-ZW1-700	F6	54	9	50161-ZW1-020ZB	F7	55	20		J15	127	40
	J14	126	20	37260-RNA-A01	D5	27	35	40119-ZY3-003	F6	54	10	50166-ZY9-000	G14	78	10	53115-ZW4-H02	F2	50	38
35645-ZY9-000	G12	76	8	37260-ZV5-822	G10	74	12	40151-ZY9-000ZB	G12	76	10	50166-ZY9-010	G14	78	10	53116-ZW4-H01	F2	50	39
35655-ZY9-003	D3	25	23	37263-ZV5-821	G10	74	13	40154-ZY9-000ZB	F6	54	11	50168-ZY9-000	G14	78	11		J15	127	41
35655-ZY9-H01	D3	25	23		J9	121	16	40155-ZY9-010	G12	76	11	50201-ZY9-010ZB	G14	78	12	53116-ZW4-H11	F2	50	40
35660-ZY9-003	G14	78	5	37264-ZV5-821	J9	121	17	40165-ZY9-010	G12	76	12	50201-ZY9-020ZB	G14	78	12		J15	127	42
35673-ZY3-003	D3	25	24	37266-ZV5-821	G11	75	14	40201-ZY9-010ZB	F6	54	12	50209-ZY6-000	F7	55	21	53117-ZW4-H01	F2	50	41
	D4	26	16		J9	121	18	40201-ZY9-020ZB	F6	54	12	50211-ZV5-003	G14	78	13		J15	127	43
35695-ZY9-003	D3	25	25	37268-ZV5-821	G11	75	15	40202-ZY9-610ZC	F8	56	2	50211-ZZ5-000	G14	78	13	53118-ZW4-H03	F2	50	42
35701-MG9-950	F6	54	4	37305-KE5-008	J9	121	19	40202-ZY9-H50ZA	F8	56	2	50214-ZV5-003	H3	83	10		J15	127	44
	H12	92	41	37500-PNB-003	D13	35	5	40204-ZW1-000	F13	61	15		H6	86	2	53119-ZW4-H02	F2	50	43
	I2	98	6	37830-PNC-003	D15	37	11	40210-ZW1-710	F8	56	3	50214-ZW1-000	G14	78	14		J15	127	45
				37830-RNA-A01	D15	37	11	40219-ZY3-013	H3	83	9	50301-ZY9-010ZB	G14	78	15	53121-ZW4-H02	F2	50	44
36000				37835-PGK-A01	D15	37	12	40219-ZY6-023	F6	54	13	50301-ZY9-020ZB	G14	78	15		J15	127	46
				37880-PLC-004	D15	37	13		H6	86	1	50304-HE0-003	G6	70	21	53122-ZW4-H01	F2	50	45
36104-ZY6-003	F6	54	5	37880-RE1-Z01	D15	37	13	41000				50311-ZY9-010ZB	G15	79	16		J15	127	47
36104-ZY9-003	H3	83	3	37881-P2A-000	D15	37	14					50311-ZY9-020ZB	G15	79	16	53123-ZW4-H01	F3	51	46
36120-ZY9-003	H3	83	4					41100-ZY9-H00ZA	F10	58	1	50341-ZW5-010	G15	79	17		J15	127	48
36122-ZW1-013	H3	83	5	38000				41100-ZY9-H50ZA	F10	58	1	50381-ZW1-010	G15	79	18	53130-ZW9-000	F3	51	47
36123-ZW1-013	H3	83	6					41100-ZY9-040ZB	F10	58	1	50381-ZY9-000	G15	79	18		J15	127	49
36129-ZY9-003	H3	83	7	38201-ZY9-003	G4	68	13	41100-ZZ0-614ZB	F10	58	1	50412-ZY9-000	G15	79	19	53133-ZW9-000	F3	51	48
36135-ZY6-003	E1	39	17		G6	70	11	41101-ZY9-H00ZA	F8	56	4	50517-ZW1-000	H6	86	3		J15	127	50
36136-ZV5-821	H3	83	8	38216-ZY3-003	G6	70	12	41101-ZY9-000ZC	F8	56	4	50522-ZV5-000	G15	79	20	53141-ZW4-H00	F3	51	49
36180-ZV5-033	F1	49	21	38216-ZY3-801	I2	98	7	41101-ZZ0-000ZC	F8	56	4	50527-ZW1-000	G15	79	21		J15	127	51
	H12	92	42	38216-ZY9-003	G4	68	14	41102-ZW1-B00	F8	56	5	50529-ZW1-000	G15	79	22	53165-ZW9-000	F3	51	50
	J7	119	14		G6	70	13	41102-ZZ0-000	F8	56	6	50539-ZY9-A40	H6	86	4		J15	127	52
	J8	120	8	38217-ZY9-000	G6	70	14	41103-ZZ0-000	F8	56	7	50543-ZV5-000	H6	86	5	53232-ZY9-A00	F3	51	51
	J14	126	21	38233-ZY9-000	G5	69	15	41104-ZZ0-010	F8	56	8						J15	127	53
36182-ZV4-651	F1	49	22		G6	70	15	41105-ZZ0-010	F8	56	9	51000				53233-ZY9-A00ZB	F3	51	52
	H12	92	43	38235-S04-003	H9	89	4	41107-ZZ0-000ZC	F8	56	10						J15	127	54
	J7	119	15	38400-ZY9-A00	F2	50	24	41109-ZW1-B00	F8	56	11	51601-ZW1-003	H6	86	6	53234-ZW1-010	G15	79	23
	J8	120	9		J15	127	25	41112-ZW1-B03	F13	61	16					53236-ZW1-700	H2	82	2

4

# PART NO. INDEX

L 5

Part Number	Address	Page	Ref.	Part Number	Address	Page	Ref.	Part Number	Address	Page	Ref.	Part Number	Address	Page	Ref.	Part Number	Address	Page	Ref.	
53236-ZW1-700	J15	127	55	63000				87701-ZW7-U01	I12	108	18	G7	71	24	90102-ZW1-000	G15	79	28		
53238-ZW1-010	G15	79	24						I14	110	18	E10	48	19	90102-ZW4-H01	F3	51	54		
53238-ZW1-700	H2	82	3	63100-ZY9-020ZB	G12	76	14	87701-ZZ5-020	H12	92	48	D14	36	13	J15	127	63			
	J15	127	56	63100-ZY9-A41ZB	G12	76	14	87701-ZZ5-780	H12	92	48	E5	43	47	90102-ZW5-U00	I5	101	23		
53239-ZW1-701	H2	82	4	63102-ZY9-000	G12	76	15	87701-ZZ5-790	H12	92	49	G4	68	6	I7	103	23			
	J15	127	57	63205-ZY3-000	F4	52	22	87702-ZW9-800	H12	92	50	D4	26	19	I9	105	26			
53740-SEO-953	E2	40	16	63232-ZY9-010	F7	55	23	87703-ZW5-U02	I5	101	21	E8	46	5	I11	107	26			
					G12	76	16		I7	103	21	G7	71	25	90102-ZW7-U01	I13	109	22		
56000				63237-ZY9-000	F7	55	24	87703-ZW5-U22	I9	105	24	D4	26	20	I15	111	22			
					G12	76	17		I11	107	24	E1	39	21	90102-ZW9-000	D7	29	9		
56000-ZY9-003	H3	83	11	63347-ZY9-010ZB	G12	76	18	87703-ZW7-U00	I12	108	19	E5	43	48	F3	51	55			
56000-ZY9-013	H3	83	11	63515-ZC0-700	F7	55	25		I14	110	19	E7	45	2	F14	62	20			
56100-ZY9-003	H3	83	12	63711-ZY9-010ZB	G13	77	19	87705-ZW1-003	I1	97	31	D13	35	8	J15	127	64			
56100-ZY9-013	H3	83	12	63716-ZY9-010ZB	G13	77	20	87706-ZW1-003	I1	97	32	D3	25	28	90102-ZY9-000	F7	55	28		
56110-ZW1-701	H3	83	13	63718-ZY9-000	F11	59	13	87707-ZW1-003	I1	97	32	E6	44	4	G15	79	29			
56113-ZW1-701	H3	83	14	63719-ZY9-000	F7	55	26					D6	28	10	90103-ZW4-H02	F3	51	56		
56115-ZY9-003	H3	83	15					89000				F4	52	24	J15	127	65			
56116-ZW1-701	H3	83	16	77000				89102-538-000	H9	89	5	D3	25	29	90103-ZW5-U01	I5	101	24		
56117-ZV5-821	H3	83	17					89103-538-000	H9	89	6	D13	35	9	I7	103	24			
56118-ZV5-820	H3	83	18	77212-965-000	G13	77	21	89203-VF9-003	H9	89	15	F5	53	25	I9	105	27			
56118-ZY6-000	F7	55	22					89210-GBJ-000	H9	89	7	D15	37	17	I11	107	27			
56120-ZY9-003	H4	84	19	80000				89216-SF4-000	H9	89	8	D3	25	30	90103-ZW7-U01	I13	109	23		
56130-ZW1-702	H4	84	20					89217-355-000	H9	89	9	E8	46	6	I15	111	23			
56170-ZY9-003	H4	84	21	80103-GJ5-000	G13	77	22	89301-921-010	H9	89	10	G7	71	26	90103-ZW9-010	F7	55	29		
56180-ZW1-701	H4	84	22									D3	25	31	90103-ZY3-000	F3	51	57		
56513-ZV5-000	H4	84	23	82000				90000				J13	125	2	J15	127	66			
	H6	86	7					90002-ZW1-010	D9	31	13	E5	43	49	90103-ZY9-000	G13	77	26		
56516-ZW1-000	G15	79	25	82873-ZY9-000	G13	77	23	90002-ZY6-000	F7	55	27	G7	71	27	90104-ZW1-900	F8	56	14		
56532-ZW1-000	H4	84	24	82874-ZY9-000	G13	77	24	90003-PNA-000	D11	33	24	F5	53	26	90104-ZW4-H01	F3	51	58		
	H6	86	8					90003-ZW2-000	D15	37	15	D13	35	10	J15	127	67			
56539-ZW1-000	G15	79	26	87000					D15	37	15	D5	27	21	90104-ZW5-U00	I5	101	25		
56851-ZW1-703	H4	84	25					87117-ZY3-800	E8	46	10	D1	23	4	I7	103	25			
56860-ZW1-701	H4	84	26	87117-ZY9-000	H7	87	1	87117-ZY9-000	G5	69	17	D3	25	32	I9	105	28			
				87121-ZY9-C00	H7	87	2	87121-ZZ0-C00	G7	71	22	D5	27	22	I11	107	28			
58000				87121-ZZ0-C00	H7	87	3					D13	35	11	90104-ZW7-U01	I13	109	24		
				87124-ZW6-U80	H7	87	4					F11	59	14	I15	111	24			
58130-ZW1-V03	J11	123	1						G13	77	25	D11	33	26	90104-ZY9-000	F7	55	30		
58130-ZW1-V13	J11	123	1	87125-ZW1-700	H7	87	5	90003-ZW9-000	E1	39	19	D11	33	26	90105-MM4-000	H13	93	52		
58130-ZW1-W03ZA	J11	123	1					90003-ZY9-000	D14	36	12	D5	27	23	90105-ZW1-000	G15	79	30		
58130-ZW1-W13ZA	J11	123	1	87132-ZY9-000	H7	87	6	90006-PWC-003	D11	33	25	D14	36	14	90105-ZW4-H02	F3	51	59		
58130-ZW1-W23ZA	J12	124	1	87301-ZY9-C00	H7	87	7	90006-ZY6-000	D15	37	16	F11	59	15	J16	128	68			
58130-ZW1-W24ZA	J12	124	1	87301-ZY9-C00	H7	87	7	90008-PWA-003	D3	25	26	D7	29	8	90105-ZW5-003	G5	69	19		
58130-ZW1-W33ZA	J11	123	1	87301-ZZ0-C00	H7	87	8	90008-ZW9-000	H13	93	51	D3	25	33	G7	71	28			
58130-ZW1-W43ZB	J11	123	1	87302-ZY3-C00	H7	87	9	90008-ZY9-003	D4	26	17	D3	25	33	90105-ZW5-U01	I5	101	26		
58130-ZW1-W63ZA	J11	123	1	87303-ZZ5-C00	H7	87	10	90009-PP4-E01	E5	43	46	D5	27	24	I7	103	26			
58130-ZW1-W93	J11	123	1	87304-ZZ5-C00	H7	87	11	90009-ZW9-000	G15	79	27	D14	36	15	I9	105	29			
58130-ZW7-U02	J11	123	1	87511-ZW9-620	H7	87	12	90010-ZV5-000	F14	62	19	F5	53	27	I11	107	29			
58130-ZW7-U12	J11	123	1									F11	59	16	I11	107	29			
58130-ZW7-U22	J11	123	1	87522-ZH8-W41	H7	87	13	90011-ZW9-000	I3	99	10	F3	51	53	90105-ZW9-000	F11	59	17		
58130-ZW7-U32	J11	123	1	87531-ZW9-620	H7	87	14		D4	26	18	J15	127	62	G15	79	31			
58130-ZY9-H01ZA	J12	124	1	87532-ZW9-620	H7	87	15		D13	35	7	I5	101	22	90105-ZY6-000	F7	55	31		
58130-ZZ0-D81ZB	J12	124	1						E1	39	20	I7	103	22	90105-ZY9-000	F7	55	32		
58130-ZZ0-D91ZB	J12	124	1	87538-ZW1-721	H7	87	16		E2	40	17	I9	105	25	90106-ZW1-004	E10	48	20		
				87538-ZY9-U80	H7	87	17		F4	52	23	I11	107	25	90106-ZW4-H01	F3	51	60		
61000				87541-ZV5-621	H7	87	18		G4	68	4	I12	108	20	J16	128	69			
				87543-ZV5-611	H7	87	19		G5	69	18	I14	110	20	90106-ZW5-000	G5	69	20		
61102-MB6-631	G12	76	13	87546-ZY9-640	H7	87	20	90011-ZY9-000	G7	71	23	I12	108	21	G7	71	29			
				87546-ZY9-U80	H7	87	20	90011-ZY9-H00	D3	25	27	I14	110	21	90106-ZW5-U00	I5	101	27		
				87634-ZW4-H11	H8	88	21	90013-ZW9-000	E8	46	11	F8	56	12	I7	103	27			
									G4	68	5	F8	56	13	I9	105	30			

4

# PART NO. INDEX

L 6

Part Number	Address	Page	Ref.	Part Number	Address	Page	Ref.	Part Number	Address	Page	Ref.	Part Number	Address	Page	Ref.	Part Number	Address	Page	Ref.
90106-ZW5-U00	I11	107	30	90153-SB2-003	G5	69	21	90310-ZV5-821	G11	75	17	90509-ZY9-000	F5	53	33	90651-ZY9-000	F5	53	35
90106-ZY9-000	G13	77	27		G7	71	31		J10	122	21	90511-921-000	G16	80	49	90651-ZZ3-003	F7	55	39
90107-ZW1-004	E10	48	21	90154-ZW9-000	G16	80	36	90314-ZW1-003	I1	97	41	90511-ZV4-000	F14	62	24	90652-ZW1-702	H4	84	32
90107-ZW5-U00	I5	101	28	90155-ZW4-000	D6	28	12	90401-ZW1-000	H2	82	6	90511-ZW5-U00	J13	125	3	90652-ZW4-H01	F3	51	74
	I7	103	28	90159-ZW4-000	E10	48	22		J16	128	75	90512-921-010	H13	93	61		J16	128	85
	I9	105	31	90168-ZW4-000	G13	77	32	90401-ZW4-000	H13	93	57	90512-ZV0-000	H6	86	11	90652-ZY9-003	G4	68	7
	I11	107	31	90169-ZW4-000	D15	37	19	90402-ZW4-000	H13	93	58	90512-ZW5-U00	J13	125	4	90653-ZW1-003	I1	97	44
90107-ZY3-000	G7	71	30	90201-ZY9-000	D5	27	26	90404-ZY3-000	E8	46	8	90514-921-000	F14	62	25	90681-763-A01	G8	72	3
90108-ZW1-000	G16	80	32	90203-ZW1-000	G5	69	22		G7	71	33		I3	99	11		H1	81	55
90108-ZW4-000	H13	93	53		G7	71	32	90405-ZY3-000	G7	71	34	90514-ZV4-000	F3	51	70	90683-SA0-003	G7	71	35
90108-ZW5-U00	I9	105	32				44	90429-GET-000	F5	53	29		G16	80	48	90691-ZB7-003	D3	25	35
	I11	107	32	90205-ZY1-000	F9	57	21	90430-PD6-003	E5	43	50		J16	128	81	90701-PD2-000	D5	27	27
90109-ZW5-000	J7	119	22	90205-ZY3-000	D14	36	17	90456-MC7-000	D6	28	13	90518-921-000	F5	53	34	90704-PH7-000	D9	31	14
	J8	120	15	90206-PM3-004	D11	33	27	90472-723-000	F14	62	23		H13	93	62	90705-SD2-931	F5	53	36
90110-881-000	G16	80	33	90206-PT0-004	D11	33	28	90501-ZV5-000	G16	80	45	90518-ZW1-B00	F14	62	26	90751-ZV5-000	H13	93	64
90111-ZY3-000	G13	77	28	90214-HW1-671	G16	80	37	90501-ZW1-710	F9	57	25	90519-ZW1-B00	F14	62	26	90751-ZY3-000	F5	53	37
90113-ZW1-702	H4	84	27	90215-HW1-671	G16	80	38	90501-ZW4-H01	F3	51	65	90520-ZW1-B00	F14	62	26	90751-ZY9-000	G13	77	38
90113-ZY9-003	G13	77	29	90225-HW1-670	F9	57	22		J16	128	76	90521-ZW1-B00	F14	62	26	90752-ZW1-B02	F14	62	27
90114-HW1-671	D7	29	10	90242-ZW1-000	F14	62	21	90501-ZW5-000	F5	53	30	90528-ZW1-B00	F15	63	17	I3	99	12	
90114-ZW1-702	H4	84	28	90301-ZW1-B00	F15	63	14	90501-ZW5-U00	I5	101	30	90529-ZW1-B00	F15	63	17	90752-ZW6-000	H1	81	62
90115-ZV5-000	F8	56	15	90301-ZW2-F00	D14	36	18		I7	103	30	90530-ZW1-B00	F15	63	17	90752-ZY6-000	F5	53	38
90115-ZW1-702	H4	84	29	90301-ZW4-H01	F3	51	62		I9	105	35	90531-ZW1-B00	F15	63	17	90753-ZW1-003	I1	97	45
90116-ZW1-702	H4	84	30		J16	128	71		I11	107	35	90545-ZV5-000	G16	80	49	90753-ZY6-000	F5	53	39
90118-HW1-671	F3	51	61	90301-ZW5-U00	I5	101	29		I13	109	26	90550-ZV5-821	G11	75	18	90754-ZY9-000	F7	55	40
	J16	128	70		I7	103	29		I15	111	26		J10	122	22	90755-ZY9-000	G13	77	39
90119-ZV5-000	F7	55	33		I9	105	33	90502-ZV4-000	H13	93	59	90551-ZW1-003	I1	97	42	90756-ZV5-000	D7	29	14
			34		I11	107	33		I5	101	31	90552-ZV5-000	F3	51	71		F7	55	41
	H4	84	31	90301-ZW7-U01	I13	109	25		I7	103	31		G16	80	50		F9	57	29
	H6	86	9		I15	111	25		I9	105	36		J16	128	82		F14	62	28
90120-HW1-671	D5	27	25	90301-ZY6-000	G13	77	33		I11	107	36	90552-ZW1-003	I1	97	43	90758-ZW1-B00	F15	63	18
	D7	29	11	90302-921-000	F3	51	63	90502-ZV5-000	G16	80	46	90557-ZV5-000	H13	93	63	90759-ZV1-000	H2	82	7
90120-ZY3-000	F8	56	16		G13	77	34		H6	86	10	90559-ZV5-000	F3	51	72		J16	128	86
90123-ZV0-010	E6	44	5		H13	93	55	90502-ZW4-H02	F3	51	66		G16	80	51	90772-ZV5-000	H13	93	65
90123-ZY6-000	F9	57	17		J7	119	23		J16	128	77			52		90951-ZV7-010	H1	81	56
	F15	63	13		J8	120	16	90502-ZW5-U00	I5	101	32		J16	128	83	90951-ZY9-A01	F3	51	75
90124-ZW1-910	F9	57	18		J16	128	72		I7	103	32	90559-ZW1-000	F7	55	37		J16	128	87
90125-ZV5-000	H13	93	54	90302-ZV4-000	F9	57	23		I9	105	37	90560-ZV5-821	G11	75	19	90953-ZW1-003	I1	97	46
90125-ZW1-910	F9	57	19	90302-ZV5-003	F5	53	28		I11	107	37		J10	122	23				
90126-ZW4-000	D14	36	16	90302-ZW5-003	F7	55	36	90502-ZW7-U00	I13	109	27	90563-ZV5-000	F9	57	27	91000			
90127-ZV1-010	D6	28	11		G16	80	39	90503-ZW4-H01	I15	111	27		H1	81	53				
	D15	37	18	90302-ZW5-U21	I9	105	34		F3	51	67	90601-ZE2-000	D7	29	13	91005-MY5-601	F15	63	19
90127-ZV5-003	E8	46	7		I11	107	34	90503-ZW5-U00	J16	128	78	90601-ZW5-030	E5	43	51	91051-ZW1-B02	F16	64	20
	F7	55	35	90303-ZW1-B03	F14	62	22		I5	101	33	90601-ZY3-030	F11	59	18	91051-ZW4-H02	F3	51	76
	G13	77	30	90303-ZW4-H00	F3	51	64		I7	103	33	90602-SB0-003	G13	77	36		J16	128	88
90129-ZZ3-000	G16	80	34		J16	128	73		I9	105	38	90602-ZW5-030	E2	40	18	91052-ZW1-B02	F14	62	29
90131-ZV5-000	D7	29	12	90304-ZV4-000	H13	93	56		I11	107	38	90603-ZV4-000	F11	59	19	91052-ZW4-H01	F3	51	77
90132-ZY3-000	G13	77	31	90304-ZV5-013	G16	80	40	90504-921-010	H13	93	60	90604-ZV0-000	E1	39	22		J16	128	89
90133-ZY3-000	F9	57	20	90304-ZW1-013	G16	80	41	90504-ZV5-000	G16	80	47		E2	40	19	91054-ZW1-B31	F14	62	30
90136-ZW1-003	I1	97	33	90304-ZW5-000	G16	80	42	90504-ZW4-H01	F3	51	68	90606-ZW5-030	D1	23	5	91054-ZW5-003	F16	64	21
90137-ZW1-003	I1	97	34	90305-ZV4-000	H2	82	5		J16	128	79	90628-750-000	F7	55	38	91058-MG9-681	H13	93	66
90138-ZW1-003	I1	97	35		J16	128	74	90506-ZV1-000	F3	51	69	90649-SC2-003	J7	119	24	91101-ZW1-003	F16	64	22
90139-ZW1-003	I1	97	36	90306-ZV5-003	F9	57	24		J16	128	80		J8	120	17	91151-ZV5-000	H13	93	67
90140-ZW1-003	I1	97	37		G16	80	43	90506-ZW1-B00	F15	63	15	90650-ZY1-003	I2	98	9	91202-ZW5-003	F11	59	20
90142-ZW1-003	I1	97	38		H1	81	63	90507-ZV4-000	F9	57	26		K2	130	5	91203-ZV5-821	H4	84	33
90143-ZW1-003	I1	97	39	90306-ZW4-003	G16	80	43	90508-ZW1-B00	F15	63	16	90651-ZW1-710	F9	57	28	91207-ZW1-013	H4	84	34
90145-ZW1-003	I1	97	40		H1	81	63	90508-ZY3-000	D15	37	20	90651-ZW4-000	H1	81	54	91212-PWA-003	D13	35	13
90145-ZW4-000	D13	35	12	90307-ZV5-003	G16	80	44		F5	53	31	90651-ZW4-H01	F3	51	73	91214-PNA-014	D5	27	28
90147-ZW4-000	D3	25	34	90309-ZV5-821	G11	75	16		G13	77	35		J16	128	84	91251-ZW1-B04	F14	62	31
90151-ZW4-000	G16	80	35		J9	121	20	90508-ZY9-000	F5	53	32	90651-ZY6-000	G13	77	37	91252-ZZ3-003	F16	64	23



# PART NO. INDEX



Part Number	Address	Page	Ref.	Part Number	Address	Page	Ref.	Part Number	Address	Page	Ref.	Part Number	Address	Page	Ref.	Part Number	Address	Page	Ref.
91253-ZZ3-003	F14	62	31	91551-SW5-003	G4	68	9	94001-12490-0S	H1	81	61	98000							
91254-ZY3-003	F14	62	32	91552-ZW4-H00	F3	51	80	94002-05490-0S	H14	94	79	9807B-5617C							
91255-ZV4-651	F5	53	40		K1	129	93	94002-06490-0S	H2	82	9		E7	45	3	98200-11000			
91256-ZV5-003	H1	81	57	91552-ZY6-000	F14	62	36		K1	129	94		G11	75	20	98200-30750			
91301-MJ0-003	D14	36	19		I3	99	14	94002-12490-0S	F3	51	81		I2	98	10	98200-41000			
	E5	43	52	91552-ZY9-000	G13	77	40		K1	129	95		G5	69	24	98200-41500			
91301-PLC-000	D14	36	20	91553-ZV5-010	D16	38	24	94103-05400	J7	119	25		G7	71	39	98200-43000			
91301-ZW4-003	F9	57	30		F7	55	42		J8	120	18		G5	69	25	99000			
91302-MAL-601	D5	27	29		G5	69	23	94109-20000	D3	25	40		G7	71	40	99001-08120			
91302-PNA-003	D14	36	21		G7	71	37	94111-04500	K3	131	9		G5	69	26	99001-10140			
91302-ZV5-821	H4	84	35		G8	72	4	94111-05400	J7	119	26		G7	71	41	99003-10000			
91302-ZW1-000	D6	28	14		G9	73	3		J8	120	19		H9	89	11	99003-50000			
91303-800-000	F11	59	21		G13	77	41	94301-06100	D7	29	17		H9	89	13	99004-18190			
91303-ZW9-000	E1	39	23	91553-ZW1-003	I1	97	47	94301-07120	D11	33	29		H9	89	14	99008-02000			
91303-ZY3-000	E10	48	23	91553-ZY6-000	G13	77	42	94301-14200	D3	25	41								
91304-HP5-601	F3	51	78	91553-ZY9-000	F7	55	43	94305-25203	H1	81	62								
	J16	128	90	91554-ZW1-000	D14	36	22	94510-14000	F16	64	25								
91304-ZY9-000	D6	28	15		E5	43	53	94540-03029	H14	94	80								
91305-KF0-003	F5	53	41	91554-ZY9-000	G13	77	43	94540-04029	F5	53	44								
91305-ZY6-003	D5	27	30	91555-ZY9-000	G7	71	38		F7	55	44								
91307-PNA-003	D3	25	36	91556-ZY3-000	F9	57	31		H14	94	81								
	D5	27	31	91557-ZW1-701	H5	85	44	94540-06029	F5	53	45								
91308-MJ0-003	F14	62	33	91557-ZY9-000	H1	81	59		I5	101	36								
91309-PJ7-010	F11	59	22	91558-SJ6-003	G4	68	10		I7	103	36								
91310-PC6-004	D7	29	15	91560-ZV5-000	H1	81	60		I9	105	41								
91316-ZV5-821	H4	84	36	91567-ZV5-000	H13	93	69		I11	107	41								
91319-PR3-003	D5	27	32	91570-ZV5-000	H13	93	70		I13	109	28								
91324-PF4-004	D5	27	33	91601-ZY9-000	D7	29	16		I15	111	28								
91333-PNA-003	D3	25	37					94540-07029	H14	94	82								
	D13	35	14	92000				94540-10019	F14	62	37								
91351-ZW1-B02	F16	64	24					94540-12029	F5	53	46								
91352-ZV5-000	H1	81	58	92101-04020-4J	K3	131	7	94540-15029	H5	85	45								
	H2	82	8	92101-05016-4J	H13	93	71		H6	86	14								
	J16	128	91	92101-06025-4J	H6	86	12												
91352-ZW1-702	H4	84	37					95000											
91353-ZW1-703	H4	84	38	93000															
91354-ZW1-701	H4	84	39					95001-35120-40	E5	43	54								
91355-ZW1-701	H4	84	40	93500-05010-4J	H13	93	72	95001-75500-40	G3	67	13								
91356-ZW1-B00	F14	62	34	93500-05065-4J	I5	101	34	95001-80300-40	G13	77	44								
	I3	99	13		I7	103	34	95003-07019-31	D16	38	25								
91357-ZW1-701	H4	84	41		I9	105	39	95003-11024-31	E5	43	55								
91358-ZW1-701	H4	84	42		I11	107	39	95005-50950-30	F7	55	45								
91359-MB0-000	F14	62	35	93500-06018-4J	D3	25	39	95005-70110-30	F11	59	24								
91361-ZW1-701	H5	85	43	93901-250J0	H13	93	73												
91402-ZY9-000	F11	59	23	93901-251J0	H13	93	74	96000											
91403-ZY9-000	D16	38	21	93901-252J0	H13	93	75												
91404-ZY9-000	D16	38	22	93903-262J0	H13	93	76	96100-62080-00	F16	64	26								
91405-ZY9-000	D16	38	23	93905-255J0	H13	93	77	96211-07000	F16	64	27								
91451-ZY9-A00	F3	51	79					96211-11000	F16	64	28								
	K1	129	92	94000				96220-50178	D6	28	16								
91475-SB6-000	H13	93	68					96300-06014-09	D5	27	34								
91531-SZ5-003	G6	70	21	94001-04490-0S	K3	131	8		D11	33	30								
91540-S0A-003	E6	44	6	94001-05490-0S	F5	53	43	96300-06016-09	D7	29	18								
91540-STK-003	F5	53	42		I5	101	35	96300-06028-09	D11	33	31								
	K2	130	6		I7	103	35	96300-08100-09	D7	29	19								
91541-S0A-003	D3	25	38		I9	105	40	96300-08120-09	D7	29	20								
	G4	68	8		I11	107	40												
	G5	69	27	94001-06490-0S	H6	86	13												
	G7	71	36		H14	94	78												

# PART NAME INDEX

Part name	Address	Page	Ref.	Part name	Address	Page	Ref.	Part name	Address	Page	Ref.
<b>[ A ]</b>											
ACTUATOR .....	F2	50	36	BEARING .....	J16	128	89	BOLT-WASHER, 6X22 .....	G13	77	26
	J15	127	39	BEARING A, CONNECTING ROD .....	D8	30	6	BOLT-WASHER, 6X27 .....	D15	37	15
ADAPTER, REMOCON CABLE .....	I1	97	26	BEARING B, CONNECTING ROD .....	D8	30	6		E8	46	10
ARMATURE COMP. ....	H3	83	6	BEARING B, MAIN LOWER .....	D9	31	10		F7	55	32
ARM ASSY., ROCKER .....	D10	32	6	BEARING B, MAIN UPPER .....	D8	30	8		G5	69	17
ARM ASSY., SHIFT LINK .....	H15	95	18	BEARING C, CONNECTING ROD .....	D8	30	6		G7	71	22
ARM ASSY., THROTTLE LINK .....	H15	95	21	BEARING C, MAIN LOWER .....	D9	31	10				
ARM COMP., EX. ROCKER .....	D10	32	8	BEARING C, MAIN UPPER .....	D8	30	8		G13	77	25
			9	BEARING D, CONNECTING ROD .....	D8	30	6	BOLT-WASHER, 6X95 .....	F7	55	30
ARM COMP., IN. VALVE ROCKER ..	D10	32	7	BEARING D, MAIN LOWER .....	D9	31	10	BOLT-WASHER, 8X30 .....	F7	55	31
ARM COMP., LINK JOINT .....	H11	91	19	BEARING D, MAIN UPPER .....	D9	31	8	BOLT-WASHER, 8X35 .....	D14	36	13
ARM COMP., SHIFT LINK .....	H11	91	15	BEARING E, CONNECTING ROD .....	D8	30	6		E5	43	47
ARM, NEUTRAL LOCK .....	I12	108	5	BEARING E, MAIN LOWER .....	D9	31	10	BOLT-WASHER, 9X155 .....	D3	25	26
	I14	110	5	BEARING E, MAIN UPPER .....	D9	31	8	BOLT A, THROUGH .....	E9	47	18
ARM, SHIFT .....	F4	52	11	BEARING F, CONNECTING ROD .....	D8	30	6	BOLT KIT, SIDE REMOTE CONTROL ..	J13	125	1
ARM, THROTTLE .....	F1	49	3	BEARING F, MAIN LOWER .....	D9	31	10	BOLT, 12MM .....	D9	31	13
	F4	52	7	BEARING F, MAIN UPPER .....	D9	31	8	BOLT, 1/4-28UNF .....	G15	79	28
	J14	126	4	BEARING G, CONNECTING ROD .....	D8	30	6	BOLT, 3/8-24UNF .....	G15	79	30
				BEARING G, MAIN LOWER .....	D9	31	10	BOLT, CONNECTING ROD .....	D8	30	4
				BEARING G, MAIN UPPER .....	D9	31	8	BOLT, DRAIN PLUG .....	D7	29	12
				BEARING H, MAIN LOWER .....	D9	31	10		F8	56	16
				BEARING H, MAIN UPPER .....	D9	31	8	BOLT, FLANGE, 10X25 .....	G16	80	36
				BEARING, BALL .....	F16	64	21	BOLT, FLANGE, 10X35 .....	E10	48	22
BAG, TOOL, 200MM .....	H9	89	14	BEARING, NEEDLE .....	F14	62	29	BOLT, FLANGE, 10X40 .....	F7	55	27
BALL, STEEL .....	E9	47	6	BEARING, NEEDLE, 30X37X26 .....	F15	63	19	BOLT, FLANGE, 10X75 .....	E10	48	19
	F3	51	75	BEARING, RADIAL BALL, 6208 .....	F16	64	26	BOLT, FLANGE, 6X10 .....	D14	36	14
	I1	97	46	BEARING, TAPERED ROLLER .....	F16	64	20		G4	68	6
	J16	128	87	BEARING, TAPER ROLLER, .....				BOLT, FLANGE, 6X11 .....	F5	53	26
BALL, STEEL, #11 .....	F16	64	28		30X62X40	F14	62	BOLT, FLANGE, 6X12 .....	D7	29	9
BALL, STEEL, #7 .....	F16	64	27	BLOCK ASSY., CYLINDER .....	D4	26	4		F3	51	55
BAND .....	E5	43	45	BLOCK, HEIGHT ADJUSTER .....	F3	51	51		F5	53	27
	F1	49	10		J15	127	53		F7	55	29
				BLOCK, NEUTRAL LOCK .....	H10	90	7		F11	59	16
				BLOCK, STEERING FRICTION .....	H2	82	2		F14	62	20
					J15	127	55		G4	68	5
	F6	54	4	BLOCK, THROTTLE FRICTION .....	H11	91	29		G7	71	24
	H12	92	41	BODY .....	E3	41	4		J15	127	64
	I2	98	6	BODY, TROLLING CONTROL SWITCH ..				BOLT, FLANGE, 6X14 .....	D4	26	18
	J14	126	11		PANEL	K3	131		D5	27	34
				BOLT .....	F3	51	54		D11	33	30
							56		D13	35	7
BAND B1, WIRE .....	G10	74	1				58		E1	39	20
BAND, AIR FLOW .....	D15	37	6				59		E2	40	17
BAND, CABLE .....	H15	95	11				60		E5	43	49
BAND, CORD .....	G6	70	2				37		F4	52	23
BAND, SELF LOCK .....	H13	93	66				65		G4	68	4
	J9	121	13				67		G5	69	18
BAND, TUBE CLIP, 12.5MM .....	G3	67	16				67		G7	71	23
							68				
BAND, TUBE CLIP, 20MM .....	G3	67	15				69	BOLT, FLANGE, 6X16 .....	D3	25	29
BAND, UNDER CASE GROMMET .....	F6	54	10				17		D7	29	18
BAND, WIRE .....	F6	54	3	BOLT-WASHER, 10X105 .....	D4	26	17		D13	35	9
BAND, WIRE HARNESS .....	G4	68	7	BOLT-WASHER, 10X30 .....	D11	33	26		F5	53	25
	J7	119	24	BOLT-WASHER, 10X40 .....	F9	57	17		G16	80	38
	J8	120	17		F15	63	13	BOLT, FLANGE, 6X18 .....	D6	28	10
BASE .....	I12	108	15	BOLT-WASHER, 14X36 .....	E6	44	4		F4	52	24
	I14	110	15	BOLT-WASHER, 5MM .....	G3	67	19	BOLT, FLANGE, 6X20 .....	D3	25	30
BEARING .....	F3	51	76	BOLT-WASHER, 5X30 .....	D15	37	17		E8	46	6
			77	BOLT-WASHER, 5X9 .....	G5	69	20		F11	59	17
	J16	128	88		G7	71	29				

# PART NAME INDEX

M 2

Part name	Address	Page	Ref.	Part name	Address	Page	Ref.	Part name	Address	Page	Ref.
BOLT, FLANGE, 6X20 .....	G7	71	26	BOLT, HEX., 12X80 .....	J15	127	62	BRACKET, COUPLER .....	G4	68	11
	G13	77	32	BOLT, HEX., 4X20 .....	K3	131	7	BRACKET, ELECTRONIC CONTROL			
	G15	79	31	BOLT, HEX., 5X16 .....	H13	93	71	UNIT	E8	46	4
BOLT, FLANGE, 6X22 .....	D1	23	4	BOLT, HEX., 6X14 .....	G16	80	33	BRACKET, FR. ....	E9	47	10
	D3	25	32	BOLT, HEX., 6X25 .....	H6	86	12	BRACKET, FR. UNDER COVER .....	F6	54	11
	D5	27	22	BOLT, HEX., 8X25 .....	F8	56	15	BRACKET, FUEL TUBE CLAMP .....	E1	39	10
	D13	35	11	BOLT, HEX., 8X55 .....	F14	62	19	BRACKET, FUSE BOX .....	G6	70	14
	E1	39	19		I3	99	10	BRACKET, LINK JOINT .....	H11	91	20
	F11	59	14	BOLT, OIL CHECK .....	F8	56	12	BRACKET, L. STERN .....	G15	79	16
BOLT, FLANGE, 6X23 .....	G15	79	27	BOLT, RECESSED .....	H4	84	27	BRACKET, NEUTRAL SWITCH .....	F4	52	20
BOLT, FLANGE, 6X25 .....	D4	26	20	BOLT, ROCKER ARM SHAFT .....	D11	33	25	BRACKET, RELAY .....	G6	70	18
	D15	37	19	BOLT, RR. BRACKET .....	G13	77	29	BRACKET, REMOTE CONTROL			
	E1	39	21	BOLT, SEALING, 18MM .....	D6	28	7	HOUSING	I4	100	12
	E5	43	48	BOLT, SEALING, 20MM .....	D2	24	7		I6	102	12
	E7	45	2	BOLT, SEALING, 24MM .....	D4	26	1		I8	104	13
	G16	80	37	BOLT, SEALING, 6MM .....	E5	43	46		I10	106	13
BOLT, FLANGE, 6X28 .....	D11	33	31	BOLT, SOCKET .....	H4	84	28	BRACKET, RR. ....	E9	47	11
	D13	35	8					BRACKET, R. STERN .....	G14	78	15
	E8	46	5	BOLT, SOCKET, 6X16 .....	F9	57	20	BRACKET, SENSOR CORD .....	D15	37	10
	G7	71	25	BOLT, SPECIAL, 6X17 .....	G13	77	28	BRACKET, SHIFT LINK .....	F4	52	16
BOLT, FLANGE, 6X32 .....	D5	27	23	BOLT, SPECIAL, 6X220 .....	J13	125	2	BRACKET, TILTING .....	G15	79	21
	E6	44	5	BOLT, SPECIAL, 6X31 .....	D13	35	10	BRACKET, TROLLING CONTROL			
BOLT, FLANGE, 6X35 .....	D3	25	31	BOLT, SPECIAL, 6X37 .....	G13	77	31	SWITCH PANEL	K3	131	4
	F9	57	22	BOLT, STUD .....	F9	57	18	BRACKET, UNDER COVER .....	G12	76	11
BOLT, FLANGE, 6X40 .....	D13	35	12	BOLT, STUD, 6X40 .....	D14	36	12	BREAKER ASSY. ....	H3	83	1
BOLT, FLANGE, 6X55 .....	D3	25	34	BOLT, STUD, 8X28 .....	F11	59	15	BRUSH ASSY. ....	H3	83	2
	G13	77	27	BOLT, STUD, 8X32 .....	D3	25	33	BRUSH SET .....	E9	47	7
BOLT, FLANGE, 8X100 .....	D7	29	8	BOLT, TDC PULSER PLATE .....	D10	32	4	BUFFER, PLATE .....	E2	40	4
				BOLT, TENSIONER PIVOT .....	D11	33	24	BULB, PRIMER .....	G1	65	9
BOLT, FLANGE, 8X110 .....	D3	25	28	BOLT, TORX .....	E8	46	11	BULB, WEDGE BASE .....	G10	74	5
BOLT, FLANGE, 8X120 .....	D7	29	20	BOX ASSY., REMOTE CONTROL .....	H10	90	2		J9	121	9
BOLT, FLANGE, 8X18 .....	G7	71	30		H15	95	1				
BOLT, FLANGE, 8X20 .....	D5	27	21	BOX KIT, REMOTE CONTROL .....	I4	100	1	BUSH .....	H16	96	23
BOLT, FLANGE, 8X25 .....	G16	80	35		I6	102	1	BUSHING .....	H15	95	8
BOLT, FLANGE, 8X28 .....	F3	51	61		I8	104	1	BUSH A, COVER LOCK .....	F4	52	22
	J16	128	70		I10	106	1	BUSH COMP., VERTICAL SHAFT .....	F8	56	3
BOLT, FLANGE, 8X35 .....	D5	27	24	BRACKET .....	I12	108	1	BUSH, LOWER CYLINDER .....	H4	84	23
	D7	29	10		I14	110	1		H6	86	7
	D14	36	15		F2	50	44	BUSH, MOTOR CODE .....	F7	55	22
	H13	93	51		G10	74	10		H3	83	18
BOLT, FLANGE, 8X40 .....	D6	28	12		G11	75	14	BUSH, STEERING HANDLE .....	F2	50	40
BOLT, FLANGE, 8X45 .....	D5	27	25		J9	121	18		J15	127	42
	D7	29	11		J15	127	46	BUSH, SWIVEL CASE .....	G14	78	14
	D14	36	16	BRACKET ASSY. ....	H3	83	5		H3	83	10
BOLT, FLANGE, 8X60 .....	D6	28	11	BRACKET A, COUPLER .....	G4	68	2		H6	86	2
	D15	37	18	BRACKET A, HARNESS CLIP .....	D13	35	2	BUSH, TILT ARM .....	G15	79	20
BOLT, FLANGE, 8X95 .....	D3	25	27	BRACKET B, HARNESS CLIP .....	E2	40	15	BUTTON, THROTTLE .....	H15	95	9
BOLT, FRICTION .....	H2	82	1	BRACKET B, STEERING .....	F3	51	52		I4	100	9
	H11	91	30		J15	127	54		I6	102	9
	J15	127	31	BRACKET C, COUPLER .....	G4	68	3		I8	104	10
BOLT, HEX. ....	H4	84	30	BRACKET C, HARNESS CLIP .....	D13	35	3		I10	106	10
BOLT, HEX., 10X235 .....	G16	80	32	BRACKET D, HARNESS CLIP .....	D3	25	22		I12	108	8
BOLT, HEX., 10X32 .....	F3	51	57	BRACKET E, HARNESS CLIP .....	D13	35	4	BUZZER ASSY., WARNING .....	F2	50	24
	J15	127	66	BRACKET, BUZZER .....	J7	119	21		J15	127	25
BOLT, HEX., 10X80 .....	F8	56	14		J8	120	14	BUZZER COMP., WARNING .....	H12	92	47
BOLT, HEX., 12X119 .....	G16	80	34	BRACKET, CABLE .....	F2	50	29		J7	119	20
BOLT, HEX., 12X186 .....	F7	55	28	BRACKET, CLIP B .....	D4	26	13		J8	120	13
	G15	79	29								
BOLT, HEX., 12X80 .....	F3	51	53								

# PART NAME INDEX

M 3

Part name	Address	Page	Ref.	Part name	Address	Page	Ref.	Part name	Address	Page	Ref.
[ C ]				CIRCLIP, EXTERNAL, 39MM .....	H1	81	54	COLLAR, 8.5X14.5 .....	D14	36	22
CABLE ASSY., A.C. GENERATOR				CIRCLIP, INTERNAL .....	H4	84	32		E5	43	53
	FUSE G6	70	7	CIRCLIP, INTERNAL, 40 .....	F9	57	28	COLLAR, C.D.I. UNIT CASE .....	D16	38	24
CABLE ASSY., LONG HANDLE .....	F1	49	9	CLAMP .....	G10	74	7		F7	55	42
	J14	126	10		J9	121	12		G5	69	23
CABLE ASSY., PUSH-PULL .....	I16	112	1	CLAMPER, CORD .....	G6	70	9		G7	71	37
	J1	113	1	CLAMP A, FUEL TUBE .....	E1	39	13		G8	72	4
	J2	114	1	CLAMP B, FUEL TUBE .....	D2	24	14		G9	73	3
	J3	115	1		D15	37	4	COLLAR, DISTANCE .....	G13	77	41
	J4	116	1	CLAMP D, FUEL TUBE .....	E1	39	14		F14	62	36
	J5	117	1		E4	42	38		G13	77	40
CABLE ASSY., REMOTE CONTROL ..	H11	91	35	CLAMP, BRACKET .....	E4	42	39		I3	99	14
CABLE ASSY., STARTER .....	G6	70	4		F3	51	46		J13	125	3
CABLE ASSY., SWITCH PANEL .....	G6	70	8		J15	127	48	COLLAR, DISTANCE, 12.2X23X16 ..	F3	51	80
	J6	118	9	CLAMP, CHECK VALVE .....	E4	42	24		K1	129	93
CABLE COMP., REMOTE CONTROL ..	H16	96	25	CLAMP, HARNESS .....	H10	90	10	COLLAR, DISTANCE, 6X10X43.5 ...	H13	93	70
	I1	97	25	CLAMP, OXYGEN SENSOR .....	E1	39	18	COLLAR, DISTANCE, 6.2X7.5 .....	G13	77	43
	I16	112	1	CLAMP, POWER TILT CORD .....	H11	91	32	COLLAR, DISTANCE, 6.5X11X7.5 ..	F11	59	2
	J1	113	1	CLAMP, TUBE .....	D1	23	5		G6	70	1
	J2	114	1		E2	40	13	COLLAR, DISTANCE, 6.5X9X3 .....	F9	57	31
	J3	115	1					COLLAR, DISTANCE, 6.5X9X5 .....	G13	77	42
	J4	116	1		E5	43	51	COLLAR, FR. BRACKET .....	F7	55	43
	J5	117	1		F11	59	18	COLLAR, LINK JOINT .....	H13	93	69
CABLE COMP., SHIFT .....	F1	49	4	CLIP .....	F7	55	38	COLLAR, LOWER CYLINDER .....	G15	79	26
	J14	126	5	CLIP B1, TUBE .....	G13	77	37	COLLAR, LOWER MOUNTING .....	F7	55	18
CABLE COMP., THROTTLE .....	F1	49	1	CLIP C, BRAKE PIPE .....	G6	70	21	COLLAR, ORIFICE .....	H5	85	44
	J14	126	2	CLIP, 10.7MM .....	G13	77	36	COLLAR, P.T.T. RELAY .....	G7	71	38
CABLE SET, PANEL INDICATOR ...	J6	118	2	CLIP, 7MM .....	F7	55	39	COLLAR, SLIDING PLATE .....	H11	91	17
CAMSHAFT COMP. ....	D10	32	1	CLIP, BRAKE PIPE .....	F4	52	21	COLLAR, SPLASH PLATE .....	H1	81	59
CAP .....	F2	50	34	CLIP, BRAKE PIPE .....	G6	70	12	COLLAR, STEERING ROD .....	H1	81	60
	J15	127	37	CLIP, COUPLER HOLDER .....	H9	89	3	CONNECTOR COMP., FUEL .....	G1	65	8
CAP ASSY., OIL FILLER .....	D4	26	6	CLIP, EMERGENCY LOCK .....	H9	89	3	CONTROL UNIT, ELECTRONIC .....	E8	46	3
CAP COMP., FUEL FILLER .....	G1	65	6		H12	92	44				
CAP COMP., OIL TANK .....	H4	84	26		J7	119	16	CORD ASSY., INDICATOR .....	G6	70	3
CAP, GRIP .....	I4	100	7		J8	120	10		J6	118	4
	I6	102	7		J14	126	23	CORD COMP., EMERGENCY .....	F1	49	22
	I8	104	9	CLIP, HARNESS .....	D3	25	35		H12	92	43
	I10	106	9	CLIP, HARNESS BAND .....	D3	25	38		I1	97	29
CAP, HANDLE .....	H10	90	6		E6	44	6		J7	119	15
CAP, L. SIDE COVER .....	F7	55	25		F5	53	42		J8	120	9
CAP, SWITCH .....	I4	100	8		G4	68	8		J14	126	22
	I6	102	8		G5	69	27	COTTER, VALVE .....	D11	33	23
CAP, WATER JOINT .....	G12	76	5		G7	71	36	COVER ASSY. ....	I12	108	11
CARTRIDGE, OIL FILTER .....	D4	26	5		K2	130	6		I14	110	11
CASE ASSY., GEAR .....	F10	58	1	CLIP, INJECTOR .....	D14	36	2	COVER ASSY., A.C. GENERATOR ...	G9	73	1
CASE ASSY., OIL .....	D7	29	1	CLIP, SENSOR HOSE .....	E2	40	16	COVER ASSY., ENGINE .....	G12	76	14
CASE COMP., CHAIN .....	D13	35	1	CLIP, TUBE .....	E1	39	22	COVER ASSY., FUSE .....	G4	68	14
CASE COMP., MOUNT .....	F11	59	12		E2	40	19		G6	70	13
CASE COMP., SILENCER .....	D15	37	7		E4	42	23		I2	98	7
CASE, ELECTRONIC PARTS .....	G8	72	1		F11	59	19	COVER ASSY., OIL PATH .....	D2	24	12
CASE, EXTENSION .....	F6	54	12		F12	60	25	COVER B, GEAR CASE .....	F8	56	6
CASE, GEAR .....	F8	56	4	CLIP, TUBE, 3.5 .....	G6	70	21	COVER COMP. ....	E3	41	5
CASE, PUMP .....	E4	42	25	CLIP, WIRE HARNESS .....	G8	72	3	COVER COMP., CYLINDER HEAD ...	D1	23	1
CASE, SWIVEL .....	G14	78	12		H1	81	55	COVER COMP., L. ENGINE UNDER ..	G13	77	20
CHAIN .....	D10	32	5		H13	93	68	COVER COMP., R. ENGINE UNDER ..	G13	77	19
CIRCLIP, EXTERNAL .....	I1	97	44	CLIP, WIRE HARNESS, 25MM .....	G7	71	35	COVER, DUAL GRIP .....	I8	104	8
CIRCLIP, EXTERNAL, 12 .....	F5	53	35	CLUTCH COMP., OVERRUNNING .....	E9	47	2		I10	106	8
CIRCLIP, EXTERNAL, 14MM .....	F16	64	25	COIL ASSY., PLUG TOP .....	E7	45	1	COVER, ELECTRONIC PARTS .....	E8	46	1



# PART NAME INDEX

M 4

Part name	Address	Page	Ref.	Part name	Address	Page	Ref.	Part name	Address	Page	Ref.
COVER, FLUSH VALVE .....	F11	59	4	E-RING, 4MM .....	F7	55	44	GRIP, REMOTE CONTROL HANDLE...	H15	95	4
COVER, GRIP .....	G12	76	6		H14	94	81		I4	100	6
	H15	95	6	E-RING, 6MM .....	F5	53	45		I6	102	6
	I12	108	4		I5	101	36		I8	104	7
	I14	110	4		I7	103	36		I10	106	7
COVER, IMPELLER .....	F13	61	4		I9	105	41	GRIP, SCREW DRIVER .....	H9	89	6
	I3	99	6		I11	107	41	GROMMET .....	F1	49	19
COVER, LOCK ARM .....	I12	108	6		I13	109	28		F2	50	33
	I14	110	6		I15	111	28		H15	95	15
COVER, L. GRIP .....	I4	100	5	E-RING, 7MM .....	H14	94	82		J14	126	19
	I8	104	6	EXTENSION, OIL FILLER .....	D4	26	8		J15	127	36
COVER, OIL PUMP .....	D6	28	2					GROMMET, 1WAY .....	D7	29	16
COVER, PLUG MAINTENANCE .....	G12	76	18	[ F ]				GROMMET, ELECTRONIC PARTS CASE	D15	37	9
COVER, PUMP .....	E4	42	26						G8	72	2
			27	FILTER ASSY., SPOOL VALVE .....	D2	24	11	GROMMET, ENGINE COVER .....	G13	77	22
COVER, RELIEF VALVE .....	F11	59	8	FILTER B .....	H3	83	16	GROMMET, EXTENSION CASE .....	F13	61	15
COVER, REMOTE CONTROL CABLE ..	F4	52	6	FILTER KIT, FUEL .....	G1	65	5	GROMMET, FUEL HOSE .....	E1	39	9
COVER, R. GRIP .....	I6	102	5	FITTING, QUICK DISCONNECT .....	G1	65	3	GROMMET, GEAR CASE .....	F8	56	5
	I10	106	6	FLOAT SET .....	E3	41	2				7
COVER, SEPARATE FRONT .....	G12	76	10	FLYWHEEL COMP. ....	D9	31	12	GROMMET, POWER TILT SWITCH .....	F2	50	38
COVER, STARTER TERMINAL .....	G6	70	5	FRAME ASSY., REMOTE CONTROL				GROMMET, RELAY .....	G5	69	16
COVER, STEERING HANDLE UNDER ..	F2	50	27	BOX	H15	95	10		G6	70	17
	J15	127	29	FRAME ASSY., SHIFT .....	F1	49	6	GROMMET, RELAY BRACKET .....	G6	70	19
COVER, THERMOSTAT .....	D2	24	16		J14	126	7	GROMMET, REMOTE CONTROL CABLE ..	F6	54	7
	D4	26	10	FRAME COMP., MOUNTING .....	G14	78	6	GROMMET, SILENCER .....	D15	37	8
COVER, UPPER MOUNT .....	G14	78	10	FUSE .....	G4	68	13	GROMMET, STEERING HANDLE CABLE	F6	54	7
COVER, WATER JACKET .....	D2	24	18		G6	70	11		J15	127	27
	E3	41	10	FUSE A .....	G11	75	20	GROMMET, TA SENSOR .....	D15	37	14
COVER, WIRE .....	F1	49	13	FUSE, BLADE .....	I2	98	10	GROMMET, UNDER CASE .....	D13	35	6
	J14	126	14	FUSE, MINI .....	G5	69	24		F6	54	6
CRANKSHAFT COMP. ....	D8	30	7				25				8
CUP, WATER SEPARATOR .....	E2	40	3				26				9
							26				9
[ D ]							39				2
							40				9
							41				2
DAMPER ASSY. ....	H6	86	6					G9	73	2	
DOWEL PIN, 12X14 .....	D5	27	27	[ G ]				G12	76	9	
DOWEL PIN, 14X20 .....	D3	25	41					G12	76	9	
DOWEL PIN, 6X10 .....	D7	29	14	GASKET B, IMPELLER .....	F13	61	5	GROMMET, VAPOR SEPARATOR .....	D14	36	5
			17		I3	99	7		E4	42	32
			41	GASKET COMP., CYLINDER HEAD ...	D2	24	8	GROMMET, WATER CHECK .....	G13	77	23
			17	GASKET, MOUNT CASE .....	D7	29	7	GROMMET, WATER TUBE .....	D7	29	5
			28	GASKET, WATER PUMP .....	F13	61	7	GUIDE COMP., CAM CHAIN .....	D10	32	12
DRIVER 1, PLUS SCREW .....	H9	89	16		I3	99	8	GUIDE COMP., ROD .....	H3	83	15
DRIVER, CHECK BOLT .....	H9	89	10	GAUGE COMP., OIL LEVEL .....	D7	29	4	GUIDE, EX. VALVE .....	D2	24	3
DRIVER, SCREW .....	H9	89	5	GEAR ASSY., INTERNAL .....	E9	47	15	GUIDE, IN. VALVE .....	D2	24	2
					E10	48	24	GUIDE, SPRING .....	F2	50	35
[ E ]					E10	48	24		J15	127	38
E-RING .....	F3	51	73	GEAR ASSY., PLANETARY .....	E9	47	3	[ H ]			
			74	GEAR COMP., FR. BEVEL .....	F15	63	8	HANDLE KIT, STEERING .....	J14	126	1
			84	GEAR, PINION .....	F13	61	18	HANDLE, REMOTE CONTROL .....	H10	90	3
			85	GEAR, RR. BEVEL .....	F15	63	9		H15	95	2
E-RING, 10MM .....	F14	62	37	GEAR, SHIFT .....	F2	50	42		I4	100	4
E-RING, 12MM .....	F5	53	46		J15	127	44		I6	102	4
E-RING, 15MM .....	H5	85	45	GENERATOR ASSY., A.C. ....	E6	44	1		I8	104	5
			14	GRIP .....	H9	89	6		I10	106	5
			14	GRIP ASSY., THROTTLE FRICTION ..	F3	51	47		I12	108	3
E-RING, 3MM .....	H14	94	80		J15	127	49	HANGER, ENGINE .....	D4	26	3
E-RING, 4MM .....	F5	53	44	GRIP, LEVER .....	H6	86	5	HARNESS ASSY., MAIN WIRE .....	G4	68	1
				GRIP, REMOTE CONTROL HANDLE ...	H10	90	5	HARNESS ASSY., METER .....	G10	74	2

# PART NAME INDEX

M 5

Part name	Address	Page	Ref.	Part name	Address	Page	Ref.	Part name	Address	Page	Ref.
HARNES ASSY., METER .....	I2	98	3	[ I ]				[ M ]			
	J9	121	6	IMPELLER, PUMP .....	F13	61	1	MANIFOLD COMP., INLET .....	D14	36	9
HARNES ASSY., POWER TRIM-TILT	I1	97	27		I3	99	3	MARK .....	H7	87	11
HARNES ASSY., REMOTE CONTROL				INJECTOR ASSY., FUEL .....	D14	36	1	MARK, ASSIST LEVER .....	H7	87	19
	SUB K2	130	2	INSULATOR .....	E4	42	29	MARK, CAUTION .....	H7	87	13
HARNES ASSY., SWITCH PANEL ..	J6	118	8	INSULATOR COMP. ....	E4	42	28	MARK, CHANGE .....	H7	87	12
	J8	120	4	INSULATOR, FUEL PIPE .....	D14	36	4		J15	127	60
HARNES COMP. ....	E5	43	44					MARK, EMERGENCY START .....	H7	87	20
HARNES, TROLLING CONTROL				[ J ]				MARK, EMERGENCY SWITCH			
	SWITCH PANEL K3	131	5	JOINT A, BREATHER .....	F6	54	2	INDICATION	H7	87	4
HEAD COMP., CYLINDER .....	D2	24	5	JOINT SET .....	E3	41	7		J15	127	58
HOLDER .....	E3	41	9	JOINT, DRIVE .....	H3	83	14	MARK, ENVIRONMENT .....	H8	88	21
HOLDER COMP., BRUSH .....	E9	47	9	JOINT, FUEL FEED HOSE .....	E2	40	1	MARK, FAST IDLE .....	H12	92	50
HOLDER COMP., STARTER CABLE ..	G6	70	6	JOINT, FUEL PIPE .....	D14	36	6	MARK, FLUSH MOUNT .....	I12	108	19
HOLDER, NEUTRAL LOCK .....	I12	108	14		E4	42	37		I14	110	19
	I14	110	14	JOINT, FUEL TUBE .....	D15	37	5	MARK, FOUR STROKE .....	H7	87	9
HOLDER, OIL FILTER .....	D4	26	19		G1	65	1	MARK, FR. EMBLEM .....	H7	87	7
HOLDER, PROPELLER SHAFT .....	F15	63	12	JOINT, WATER HOSE .....	G12	76	3		I2	98	8
HOLDER, SEAL .....	F4	52	17	JOINT, WATER TUBE .....	F11	59	10	MARK, HANDLE FLUSH MOUNT .....	I12	108	18
HOLDER, SHIFT ROD .....	F13	61	14						I14	110	18
HOLDER, SWITCH .....	F1	49	20	[ K ]				MARK, HONDA .....	H7	87	10
HOSE COMP., FUEL .....	J14	126	20	KEY, SPECIAL .....	D9	31	14	MARK, REMOTE CONTROL .....	I1	97	31
HOSE, PRESSURE REGULATOR	E1	39	8	KEY, WOODRUFF .....	F14	62	27		I5	101	21
					I3	99	12		I7	103	21
	RETURN E5	43	42	KIT, CABLE .....	K2	130	1		I9	105	24
HOUSING .....	F2	50	26	KNOB, RECOIL STARTER .....	H9	89	1		I11	107	24
	J15	127	28	[ L ]				MARK, RR. ....	H7	87	2
HOUSING ASSY., INNER .....	H16	96	22	LABEL, ASSIST TILT CAUTION .....	H7	87	18		H7	87	6
HOUSING ASSY., L. INNER .....	I4	100	3	LABEL, FUSE .....	H7	87	1	MARK, STARTER .....	H7	87	5
	I8	104	3	LABEL, OIL CAUTION .....	H7	87	14		J15	127	61
	I10	106	3	LABEL, WARNING OPERATOR .....	H7	87	16	MARK, THROTTLE .....	H7	87	15
	I14	110	2	LAMP ASSY., INDICATION .....	H12	92	45		J15	127	59
HOUSING ASSY., REMOTE CONTROL					J7	119	18	METAL COMP., ANODE .....	F8	56	11
	BOX H15	95	7	LEVER SET .....	E9	47	17	METAL KIT, ANODE .....	G14	78	1
HOUSING ASSY., R. INNER .....	I6	102	3	LEVER, FASTENER .....	F7	55	23	METAL, ANODE .....	D2	24	1
	I8	104	4	LEVER, HANDLE LOCK .....	H10	90	4	METER ASSY., TRIM .....	G10	74	12
	I10	106	4		H15	95	3	METER KIT, HOUR .....	J9	121	5
	I12	108	2	LAMP ASSY., INDICATOR .....	F1	49	23	METER KIT, TACHO .....	I2	98	2
HOUSING COMP., DUAL REMOTE					J15	127	24		J9	121	4
	CONTROL BOX I8	104	14	LEVER, TILT .....	H6	86	3	METER KIT, TRIM .....	J9	121	1
	I10	106	14	LIFTER, FUEL PUMP .....	D2	24	13	METER KIT, VOLT .....	J9	121	3
HOUSING COMP., REMOTE CONTROL				LINER, PUMP .....	F13	61	3	MOTION COMP., LOST .....	D2	24	9
	BOX H10	90	11		I3	99	5	MOTOR ASSY., POWER TILT .....	H3	83	4
	I4	100	13	LEVER, IDLE .....	H11	91	23	MOTOR ASSY., STARTER .....	E9	47	1
	I6	102	13	LEVER, SHIFT .....	F1	49	5	MOUNT COMP., LOWER RUBBER .....	F6	54	17
HOUSING, IMPELLER .....	F13	61	2		J14	126	6	MOUNT COMP., UPPER RUBBER .....	G14	78	7
	I3	99	4	LEVER, TILT .....	H6	86	3	[ N ]			
HOUSING, LEAD .....	I4	100	14	LIFTER, FUEL PUMP .....	D2	24	13	NIPPLE, GREASE .....	H1	81	56
	I6	102	14	LINER, PUMP .....	F13	61	3	NIPPLE, SENSOR .....	F6	54	14
	I8	104	15		I3	99	5		F7	55	46
	I10	106	15	LINER, SWIVEL CASE .....	G14	78	13	NUT .....	I1	97	41
HOUSING, LOWER CENTER MOUNTING	F7	55	20	LINE COMP., FUEL .....	D14	36	3	NUT-WASHER, 8MM .....	G5	69	22
HOUSING, LOWER MOUNTING .....	F6	54	16	LINKAGE, PIVOT .....	F4	52	1		G7	71	32
HOUSING, REMOTE CONTROL BOX ..	H11	91	13	LINK, THROTTLE .....	F4	52	3				
	H15	95	12								
HOUSING, WATER PUMP .....	F13	61	6								



# PART NAME INDEX

M 6

Part name	Address	Page	Ref.	Part name	Address	Page	Ref.	Part name	Address	Page	Ref.
NUT-WASHER, 8MM .....	G7	71	44	NUT, SELF-LOCK, 5MM .....	F9	57	23	O-RING, THERMOSTAT COVER.....	D2	24	17
NUT, ADJUSTER ROD .....	G16	80	42	NUT, SELF-LOCK, 6MM .....	F9	57	21		D4	26	11
NUT, CASTLE, 18MM .....	F15	63	14	NUT, SELF-LOCK, 8MM .....	H2	82	5		F11	59	11
NUT, CLIP .....	G13	77	33		J16	128	74	O-RING, WATER PUMP .....	F14	62	34
NUT, FLANGE CAP, 8MM .....	D5	27	26	NUT, TAPPET ADJUSTING .....	D11	33	27		I3	99	13
NUT, FLANGE, 10MM .....	G16	80	43				28				
	H1	81	63	NUT, WATER MOUTH .....	G12	76	2				
NUT, FLANGE, 12MM .....	F7	55	36					[ P ]			
	G16	80	39					[ O ]			
NUT, FLANGE, 5MM .....	J6	118	3	OIL SEAL .....	H4	84	33	PACKING .....	E3	41	13
	J8	120	2	OIL SEAL, 39.5X52X6 .....	H1	81	57		E9	47	16
NUT, FLANGE, 6MM .....	D14	36	18	OIL SEAL, 40X55X7 .....	D13	35	13		G10	74	9
NUT, FLANGE, 8MM .....	D14	36	17	OIL SEAL, 80X98X10 .....	D5	27	28		H5	85	43
NUT, HEX., 12MM .....	F3	51	64	O-RING .....	D15	37	12		J9	121	16
		81			E2	40	11	PACKING, DUAL .....	I8	104	19
	H1	81	61		E3	41	11		I10	106	19
	J16	128	73					PACKING, ELECTRONIC AIR			
	K1	129	95					CONTROL VALVE	D14	36	11
NUT, HEX., 16MM .....	F3	51	63					PACKING, EX. WATER JACKET			
	F14	62	22					COVER	D2	24	19
	G13	77	34	O-RING SET, 3.5X31.7 .....	F14	62	33	PACKING, FLASH VALVE .....	F11	59	9
	H13	93	55	O-RING, 11.5X3.5 .....	H4	84	41	PACKING, FUEL CAP .....	G1	65	7
	J7	119	23	O-RING, 13X1.5 .....	F11	59	22	PACKING, FUEL PICK UP .....	G3	67	18
	J8	120	16	O-RING, 15X1.9 .....	D5	27	32	PACKING, FUSE BOX COVER .....	G5	69	15
	J16	128	72		D3	25	37		G6	70	15
NUT, HEX., 20MM .....	F5	53	28	O-RING, 15.54X2.26 .....	D13	35	14	PACKING, HEAD COVER .....	D1	23	2
NUT, HEX., 4MM .....	G11	75	17		H1	81	58	PACKING, INTAKE MANIFOLD .....	D14	36	7
	J10	122	21		H2	82	8	PACKING, OIL PAN .....	D7	29	2
	K3	131	8		J16	128	91	PACKING, REGULATOR .....	D2	24	21
NUT, HEX., 5MM .....	F3	51	62	O-RING, 15.5X2.7 .....	D7	29	15	PACKING, SINGLE .....	I4	100	18
	F5	53	43	O-RING, 16MM .....	F11	59	21		I6	102	18
	G11	75	16	O-RING, 18.1X3.6 .....	D5	27	29	PACKING, THROTTLE BODY .....	D14	36	8
	H14	94	79	O-RING, 1.8X69.6 .....	H4	84	35	PAD, THROTTLE FRICTION .....	F3	51	48
	I5	101	29	O-RING, 1.8X7.7 .....	H4	84	37		J15	127	50
			35	O-RING, 1.9X11 .....	H4	84	38	PANEL ASSY., INDICATOR .....	J7	119	17
	I7	103	29	O-RING, 20.6X1.9 .....	F3	51	78	PANEL ASSY., SWITCH .....	J6	118	5
			35		J16	128	90	PANEL ASSY., TROLLING CONTROL	K3	131	6
	I9	105	33	O-RING, 27X2 .....	F5	53	41	PANEL KIT, SWITCH .....	J6	118	1
			34	O-RING, 28.3X2.4 .....	D5	27	33		J8	120	1
			40	O-RING, 2.0X70.5 .....	H4	84	34	PANEL, CONTROL .....	J6	118	6
	I11	107	33	O-RING, 31.2X2.4 .....	E1	39	23				
			34	O-RING, 3.5X35.7 .....	H4	84	39		J8	120	3
			40	O-RING, 3.5X38.7 .....	H4	84	36	PIN A, DOWEL, 7X12 .....	D11	33	29
	J9	121	20	O-RING, 3.5X41.7 .....	H4	84	40	PIN, 5X44.5 .....	F7	55	40
	J16	128	71	O-RING, 58.5X3.5 .....	F14	62	35	PIN, 5X59 .....	G13	77	39
NUT, HEX., 6MM .....	H2	82	9	O-RING, 59.4X3.1 .....	E10	48	23	PIN, 6X6 .....	H13	93	65
	H6	86	13	O-RING, 6.5X1.5 .....	D5	27	30	PIN, GEARSHIFT .....	I1	97	45
	H13	93	56	O-RING, 6.9X1.45 .....	F9	57	30	PIN, LINK .....	F5	53	37
	H14	94	78	O-RING, 7.45X3.61 .....	D14	36	21				
	I13	109	25	O-RING, 7.47X3.6 .....	D14	36	20	PIN, LOCK, 6MM .....	H13	93	64
	I15	111	25	O-RING, 7.8X1.9 .....	D14	36	19	PIN, PISTON .....	D8	30	3
	K1	129	94		E5	43	52	PIN, SHIFTER, 8X47 .....	F15	63	2
NUT, LOCK, 64MM .....	F14	62	21	O-RING, 94X4.1 .....	F16	64	24	PIN, SHIFT LINK .....	F5	53	38
NUT, SELF-LOCK .....	G16	80	40	O-RING, 9.5X1.9 .....	D3	25	36	PIN, SNAP, 6MM .....	F5	53	36
			41		D5	27	31	PIN, SPLIT, 2.0 .....	H2	82	7
			44	O-RING, OIL PUMP .....	D6	28	15		J16	128	86
NUT, SELF-LOCK, 10MM .....	F9	57	24	O-RING, PRESSURE REGULATOR .....	E4	42	36	PIN, SPLIT, 4.0 .....	F15	63	18
	G16	80	43	O-RING, PUMP COVER .....	D6	28	14	PIN, SPRING, 2.0X12 .....	G13	77	38
	H1	81	63								

# PART NAME INDEX

Part name	Address	Page	Ref.	Part name	Address	Page	Ref.	Part name	Address	Page	Ref.
PIN, SPRING, 2.5X20 .....	H1	81	62	PLIERS, 135 .....	H9	89	7	ROD, STEERING.....	G15	79	24
PIN, THROTTLE CABLE .....	F2	50	28	PLUG, FUEL TUBE .....	G3	67	17	ROD, STEERING FRICTION.....	H2	82	3
	J15	127	30	PLUG, INNER CONNECTOR .....	F1	49	15		J15	127	56
PIN, UPPER CYLINDER .....	H4	84	24		G10	74	3	ROLLER .....	F2	50	39
	H6	86	8		H11	91	36		J15	127	41
PIPE COMP., OIL LEVEL .....	F11	59	1		I2	98	4	ROLLER, 3X12.8.....	F16	64	22
PIPE, BREATHER .....	D15	37	1		J6	118	10	ROLLER, 5X17.8.....	D6	28	16
PIPE, GRIP .....	F3	51	49		J8	120	5	ROLLER, CLICK.....	H13	93	67
	J15	127	51		J9	121	7	ROLLER, SHIFT CLICK.....	I1	97	47
PIPE, HARNESS GUIDE .....	H11	91	33		J14	126	16	ROPE, RECOIL STARTER.....	H9	89	2
PIPE, OIL .....	D4	26	7		K2	130	3	ROTOR .....	E6	44	2
PISTON .....	D8	30	2	PLUG, OUTER CONNECTOR .....	F1	49	16	ROTOR COMP. ....	E9	47	5
PISTON COMP., FREE .....	H4	84	20		G10	74	4	ROTOR, INNER.....	D6	28	8
PIVOT, SHIFT .....	F4	52	13		H11	91	37	ROTOR, OUTER.....	D6	28	9
	H11	91	18		I2	98	5	RUBBER, EARTH TERMINAL.....	E8	46	2
PIVOT, SHIFT SLIDE .....	F4	52	14		J7	119	11	RUBBER, FENDER MOUNTING.....	G12	76	13
PIVOT, THROTTLE CABLE .....	F1	49	2		J8	120	6	RUBBER, GRIP.....	F3	51	50
	J14	126	3		J9	121	8		J15	127	52
PLATE .....	E2	40	12		K2	130	4	RUBBER, SEAT SIDE.....	G13	77	21
PLATE ASSY., LOCK .....	F2	50	30	PLUG, SPARK .....	E7	45	3	RUBBER, TROLLING CONTROL			
	J15	127	33	PORT, IDLE EXHAUST .....	G12	76	1	SWITCH PANEL	K3	131	2
PLATE COMP., SLIDING .....	H11	91	16	PROPELLER COMP., THREE BLADES .....	J11	123	1	RUBBER, UPPER MOUNT STOPPER...	G14	78	8
PLATE COMP., SPLASH .....	G15	79	19		J12	124	1				
PLATE COMP., THROTTLE .....	F4	52	4	PULLER, MINI FUSE .....	H9	89	4	[ S ]			
PLATE KIT, SPLASH .....	G14	78	2	PUMP ASSY KIT, FUEL .....	E1	39	1	SCREEN COMP., FUEL STRAINER...	E4	42	40
PLATE, BALL GUIDE .....	F2	50	43	PUMP ASSY. ....	H3	83	12	SCREEN, L. WATER.....	F8	56	9
	J15	127	45	PUMP ASSY., FUEL .....	E1	39	7	SCREEN, R. WATER.....	F8	56	8
PLATE, CABLE CLAMP .....	I4	100	11	PUMP ASSY., OIL .....	D6	28	1	SCREW.....	F1	49	14
	I6	102	11	PUMP KIT, IMPELLER .....	I3	99	1		F2	50	41
	I8	104	12				2		I1	97	38
	I10	106	12	PUMP UNIT, FUEL .....	E3	41	3				39
PLATE, DWELL .....	I4	100	15				8				40
	I6	102	15		E4	42	34				15
	I8	104	16	[ R ]					J14	126	15
	I10	106	16	RECEIVER, THRUST .....	G15	79	25		J15	127	43
	I12	108	10	RECTIFIER ASSY., REGULATOR .....	D2	24	20	SCREW-WASHER.....	E3	41	17
	I14	110	10	REGULATOR ASSY., PRESSURE.....	E4	42	35				18
PLATE, GUIDE .....	F2	50	32	RELAY ASSY., MAIN .....	G6	70	20	SCREW-WASHER, 3X22 .....	J9	121	19
	J15	127	35	RELAY ASSY., POWER TILT .....	G6	70	16	SCREW-WASHER, 3X7.....	G5	69	19
PLATE, HANDLE .....	I4	100	10	RETAINER .....	H15	95	13		G7	71	28
	I6	102	10	RETAINER, VALVE SPRING .....	D11	33	21	SCREW-WASHER, 5X10 .....	G5	69	21
	I8	104	11	RING .....	E4	42	30		G7	71	31
	I10	106	11	RING SET, PISTON .....	D8	30	1	SCREW A.....	I1	97	33
PLATE, LEVER SETTING .....	H10	90	9	RING, BACK UP .....	H3	83	17	SCREW B.....	I1	97	34
PLATE, LOCK .....	F4	52	15	RING, CROSS PIN .....	F15	63	3	SCREW C.....	I1	97	35
PLATE, REMOTE CONTROL .....	H12	92	48	RING, STOPPER .....	F13	61	13	SCREW SET.....	D15	37	2
			49	RING, WATER TUBE SEAL .....	F13	61	9	SCREW SET, DRAIN.....	E3	41	6
PLATE, REMOTE CONTROL CABLE ..	F4	52	5		F13	61	9	SCREW, 6X95.....	H13	93	54
PLATE, RUBBER SETTING .....	F8	56	1	ROD A COMP., SHIFT .....	F13	61	12	SCREW, FLAT, 5X12.....	H13	93	53
PLATE, SHIFT .....	F15	63	7	ROD COMP., CONNECTING .....	D8	30	5	SCREW, FLAT, 5X55.....	F8	56	13
PLATE, SHIFT PIVOT .....	F4	52	12	ROD COMP., PISTON .....	H3	83	13	SCREW, FRICTION.....	I1	97	36
PLATE, SPEED SENSOR TUBE .....	F7	55	21		H4	84	19	SCREW, PAN.....	E3	41	19
PLATE, SPRING SETTING .....	H11	91	24	ROD COMP., SHIFT .....	F13	61	10	SCREW, PAN, 4X10.....	I5	101	26
PLATE, STEERING .....	G15	79	23	ROD COMP., THROTTLE .....	F4	52	2		I7	103	26
PLATE, TDC PULSER .....	D10	32	3	ROD, ADJUSTING .....	G15	79	17		I9	105	29
PLATE, WATER TUBE .....	D7	29	6	ROD, GROMMET .....	F2	50	45		I11	107	29
PLATE, WINKER BUZZER .....	H12	92	46		J15	127	47	SCREW, PAN, 5X10.....	H13	93	72
	J7	119	19						I5	101	23
	J8	120	12								

# PART NAME INDEX

M 8

Part name	Address	Page	Ref.	Part name	Address	Page	Ref.	Part name	Address	Page	Ref.
SCREW, PAN, 5X10 .....	I7	103	23	SCREW, TRUSS, 4X12 .....	I14	110	21	SOCKET COMP. ....	G10	74	11
	I9	105	26	SCREW, WASHER .....	E3	41	21		G11	75	15
	I11	107	26	SEAL A, COVER UNDER .....	F11	59	13		J9	121	14
SCREW, PAN, 5X12 .....	E2	40	8	SEAL A, VALVE STEM .....	D2	24	4				15
SCREW, PAN, 5X16 .....	I5	101	22	SEAL B, COVER UNDER .....	F7	55	26	SPACER KIT, REMOTE CONTROL BOX	I4	100	2
	I7	103	22	SEAL B, VALVE STEM .....	D2	24	6		I6	102	2
	I9	105	25	SEAL, ENGINE COVER .....	G12	76	15		I8	104	2
	I11	107	25	SEAL, UPPER MOUNT COVER .....	G14	78	11		I10	106	2
	I12	108	20	SEAL, WATER .....	H4	84	42	SPACER, 22.5X45 .....	H6	86	4
	I14	110	20	SEAL, WATER CHECK GROMMET .....	G13	77	24	SPACER, CABLE CLAMP .....	H11	91	34
SCREW, PAN, 5X18 .....	D15	37	16	SEAL, WATER, 12X21X6 .....	F14	62	32		I4	100	17
	I5	101	25	SEAL, WATER, 22X35X7 .....	F11	59	20		I6	102	17
	I7	103	25	SEAL, WATER, 23X36X6 .....	F14	62	31		I8	104	18
	I9	105	28	SEAL, WATER, 30X45X7 .....	F16	64	23		I10	106	18
	I11	107	28	SEAT, VALVE SPRING .....	D11	33	22		I12	108	13
SCREW, PAN, 5X20 .....	I5	101	24	SEAT, WATER MOUTH .....	G12	76	4		I14	110	13
	I7	103	24	SENSOR ASSY., AIR TEMP .....	D15	37	13	SPACER, CLICK SPRING .....	H11	91	28
	I9	105	27	SENSOR ASSY., CRANK .....	D13	35	5	SPACER, NEUTRAL SWITCH .....	H11	91	31
	I11	107	27	SENSOR ASSY., MAP .....	D15	37	11	SPACER, REMOTE CONTROL BOX .....	H11	91	27
SCREW, PAN, 5X30 .....	I13	109	22	SENSOR ASSY., TDC .....	D3	25	25	SPANNER, 10X14 .....	H9	89	12
	I15	111	22	SENSOR ASSY., TRIM ANGLE .....	G14	78	5	SPANNER, 8X10 .....	H9	89	15
SCREW, PAN, 5X40 .....	I5	101	28	SENSOR ASSY., WATER				SPANNER, 8X12 .....	H9	89	11
	I7	103	28	TEMPERATURE	D3	25	24	SPEEDOMETER KIT .....	I2	98	1
	I9	105	31		D4	26	16		J9	121	2
	I11	107	31	SENSOR COMP., KNOCK .....	D4	26	12	SPRING COMP., CLICK .....	F4	52	9
	J7	119	22	SENSOR, OIL PRESSURE .....	D5	27	35		G14	78	3
	J8	120	15	SENSOR, OXYGEN .....	D3	25	23	SPRING, ACCELERATOR WHEEL .....	H11	91	22
SCREW, PAN, 5X55 .....	I9	105	32	SEPARATOR ASSY., VAPOR .....	E4	42	31	SPRING, CHOKE RETURN .....	H11	91	26
	I11	107	32	SEPARATOR ASSY., WATER .....	E2	40	2	SPRING, CLICK ASSIST .....	F4	52	10
SCREW, PAN, 5X65 .....	I5	101	34	SEPARATOR, EXTENSION .....	F8	56	2		G14	78	4
	I7	103	34	SHAFT ASSY., CLUTCH .....	E9	47	13	SPRING, COIL .....	F2	50	37
	I9	105	39	SHAFT ASSY., GEAR .....	E9	47	14		J15	127	40
	I11	107	39	SHAFT ASSY., PROPELLER .....	F15	63	10	SPRING, COMPRESSION .....	E4	42	41
SCREW, PAN, 5X8 .....	E10	48	21	SHAFT COMP., ROCKER ARM .....	D10	32	13	SPRING, EX. VALVE .....	D11	33	20
SCREW, PAN, 6X10 .....	H13	93	52	SHAFT COMP., SHIFT .....	F4	52	18	SPRING, FLUSH VALVE .....	F11	59	5
SCREW, PAN, 6X18 .....	D3	25	39	SHAFT, GEAR SHIFT .....	H15	95	19	SPRING, GEAR SHIFT .....	H15	95	20
	I5	101	27	SHAFT, HANDLE .....	H15	95	17	SPRING, IN. VALVE .....	D10	32	19
	I7	103	27	SHAFT, OIL PUMP .....	D6	28	3		D11	33	19
	I9	105	30	SHAFT, PROPELLER .....	F15	63	11	SPRING, MOTOR .....	H3	83	8
	I11	107	30	SHAFT, STEERING FRICTION .....	H2	82	4	SPRING, NEUTRAL LOCK ARM .....	I12	108	7
SCREW, PAN, 6X22 .....	E10	48	20		J15	127	57		I14	110	7
SCREW, PAN, 6X35 .....	I13	109	23	SHAFT, THROTTLE BUTTON .....	I12	108	9	SPRING, RELIEF VALVE .....	D6	28	5
	I15	111	23		I14	110	9	SPRING, REMOTE CONTROL HANDLE .....	H10	90	8
SCREW, PAN, 6X8 .....	F7	55	33	SHAFT, TILTING .....	G15	79	18		H15	95	5
			34	SHAFT, VERTICAL .....	F13	61	16	SPRING, SHIFT .....	F15	63	6
	H4	84	31	SHIFTER, CLUTCH .....	F15	63	1	SPRING, SHIFT CLICK .....	H11	91	25
	H6	86	9	SHIM A, BEVEL .....	F15	63	17		H16	96	24
SCREW, RIVET, 5X10 .....	E8	46	7	SHIM A, GEAR .....	F14	62	26	SPRING, SHIFT ROD .....	F13	61	11
	F7	55	35	SHIM B, BEVEL .....	F15	63	17	SPROCKET, CAM CHAIN .....	D9	31	11
	G13	77	30	SHIM B, GEAR .....	F14	62	26	SPROCKET, CAM CHAIN DRIVEN .....	D10	32	2
SCREW, TAPPET ADJUSTING .....	D10	32	18	SHIM C, BEVEL .....	F15	63	17	STATOR .....	E6	44	3
SCREW, TAPPING, 5X10 .....	H13	93	74	SHIM C, GEAR .....	F14	62	26	STAY, FUEL TUBE .....	E4	42	33
SCREW, TAPPING, 5X12 .....	H13	93	75	SHIM D, BEVEL .....	F15	63	17	STAY, POWER TILT SWITCH .....	G12	76	8
SCREW, TAPPING, 5X25 .....	H13	93	77	SHIM D, GEAR .....	F14	62	26	STOPPER .....	F2	50	31
SCREW, TAPPING, 5X8 .....	H13	93	73	SLIDER COMP., CAM CHAIN					J15	127	34
SCREW, TAPPING, 6X16 .....	H13	93	76	TENSIONER	D10	32	11	STOPPER ASSY., ENGINE SIDE .....	G12	76	12
SCREW, TAPPING, 6X30 .....	I13	109	24	SLIDER COMP., SHIFT .....	F15	63	4	STOPPER SET, SLEEVE .....	E9	47	8
	I15	111	24	SLIDER, SHIFT .....	F15	63	5	STOPPER, LOWER MOUNT .....	F7	55	19
SCREW, TRUSS, 4X12 .....	I12	108	21	SLINGER, OIL .....	F13	61	17	STOPPER, TILT .....	G15	79	22

# PART NAME INDEX

Part name	Address	Page	Ref.	Part name	Address	Page	Ref.	Part name	Address	Page	Ref.
STOPPER, UPPER MOUNT .....	G14	78	9	TERMINAL, CABLE .....	I12	108	12	[ V ]			
STRAINER COMP., FUEL .....	E1	39	15		I14	110	12	VALVE ASSY., ELECTRONIC AIR			
	E2	40	9	THERMOSTAT ASSY. ....	D2	24	15	CONTROL	D14	36	10
STRAINER COMP., OIL .....	D7	29	3		D4	26	9	VALVE ASSY., RELIEF .....	F11	59	6
STRAP, HARNESS .....	G4	68	10	THROTTLE BODY ASSY. ....	D15	37	3	VALVE ASSY., SPOOL .....	D2	24	10
SUB HARNESS ASSY., POWER				TIE, CABLE .....	G6	70	10	VALVE COMP., IN. ....	G1	65	10
TRIM-TILT	I4	100	19		H11	91	38		G2	66	10
	I6	102	19		I2	98	9	VALVE COMP., MANUAL .....	H4	84	21
	I9	105	20		J7	119	12	VALVE COMP., OUTLET .....	G2	66	11
					K2	130	5	VALVE COMP., RESERVOIR .....	H4	84	22
	I11	107	20	T-JOINT .....	E1	39	16	VALVE SET, FLOAT .....	E3	41	1
				TRIM-TILT ASSY., POWER .....	H3	83	11	VALVE, CHECK .....	E1	39	17
	I12	108	16	TUBE .....	F1	49	7	VALVE, EX. ....	D10	32	17
	I14	110	16					VALVE, FLASH .....	F11	59	7
SUSPENSION, COUPLER .....	G4	68	12		J14	126	8	VALVE, IN. ....	D10	32	16
SUSPENSION, STRAINER .....	E2	40	10	TUBE ASSY., FUEL .....	G2	66	12	VALVE, RELIEF .....	D6	28	4
SUSPENSION, WARNING BUZZER ...	F2	50	25		G3	67	12	[ W ]			
SWITCH ASSY., COMBINATION ----	J15	127	26	TUBE ASSY., FUEL TANK .....	G2	66	12	WASHER .....	I1	97	42
	F1	49	17		G3	67	12	WASHER, 10MM .....	F3	51	67
	H12	92	39	TUBE A, AIR VENT .....	E1	39	4		G16	80	48
	J7	119	13	TUBE A, BREATHER .....	D16	38	21		J16	128	78
	J8	120	7	TUBE A, CHECK VALVE .....	E1	39	2	WASHER, 13MM .....	F5	53	33
	J14	126	17	TUBE A, WATER .....	E5	43	43	WASHER, 14MM .....	F5	53	32
SWITCH ASSY., EMERGENCY STOP .	F1	49	21	TUBE B, AIR VENT .....	E1	39	5	WASHER, 26MM .....	F9	57	25
	H12	92	42	TUBE B, BREATHER .....	D16	38	22	WASHER, 28MM .....	H13	93	63
	I1	97	28	TUBE B, CHECK VALVE .....	E1	39	3	WASHER, 5MM .....	F3	51	65
	J7	119	14	TUBE B, WATER .....	F11	59	3		J16	128	76
	J8	120	8	TUBE COMP. A, FUEL .....	E2	40	5	WASHER, 6MM .....	H13	93	61
	J14	126	21	TUBE COMP. B, FUEL .....	E2	40	6	WASHER, 8MM .....	F3	51	66
SWITCH ASSY., MAGNET .....	E9	47	12	TUBE C, AIR VENT .....	E1	39	6		F14	62	25
SWITCH ASSY., NEUTRAL .....	F4	52	19	TUBE C, BREATHER .....	D16	38	23		I3	99	11
SWITCH ASSY., OIL PRESSURE ...	D4	26	14	TUBE C, FUEL .....	E2	40	7	WASHER, DRAIN PLUG, 12MM .....	D7	29	13
				TUBE D, FUEL .....	E1	39	11	WASHER, DRAIN PLUG, 20MM .....	D3	25	40
SWITCH ASSY., POWER TILT .....	F1	49	18	TUBE E, FUEL .....	E1	39	12	WASHER, IN. WAVE .....	D10	32	15
	G12	76	7	TUBE KIT, SPEED SENSOR .....	F6	54	1	WASHER, LOCK, 5MM .....	I5	101	30
	J14	126	18	TUBE, 5X950 .....	F7	55	45		I7	103	30
SWITCH ASSY., POWER TRIM-TILT	H12	92	40	TUBE, 7X110 .....	F11	59	24	WASHER, LOCK, 6MM .....	I5	101	32
	I1	97	30	TUBE, CORD, 40MM .....	F3	51	79		I7	103	32
	I5	101	20		K1	129	92	WASHER, PIVOT .....	F4	52	8
	I7	103	20	TUBE, CORRUGATE .....	H10	90	1	WASHER, PLAIN .....	E4	42	22
	I9	105	22	TUBE, FUEL LONG .....	G3	67	13	WASHER, PLAIN, 10MM .....	F9	57	27
				TUBE, FUEL SHORT .....	G3	67	13		G16	80	49
	I11	107	22					WASHER, PLAIN, 12MM .....	H1	81	53
	I12	108	17	TUBE, FUEL,					F3	51	71
	I14	110	17	3.5X120(95001-35001-60M)	E5	43	54				
SWITCH ASSY., TROLLING CONTROL	K3	131	1	TUBE, FUEL, 7.3X500 .....	G3	67	13				
				TUBE, FUEL, 8X300 .....	G13	77	44				
[ T ]				TUBE, OIL .....	D1	23	3				
TAB, TRIM .....	F8	56	10	TUBE, SPEED METER .....	J9	121	11				
TACHOMETER ASSY. ....	G10	74	8	TUBE, SPEED SENSOR .....	F6	54	15				
TANK ASSY., FUEL .....	G1	65	4	TUBE, SPIRAL .....	F6	54	5				
TANK, OIL .....	H4	84	25		H3	83	3				
TENSIONER COMP., CAM CHAIN ...	D10	32	10	TUBE, VINYL, 4X7X190 .....	D16	38	25				
TERMINAL, CABLE .....	I4	100	16	TUBE, VINYL, 5X9X240 .....	E5	43	55				
	I6	102	16	TUBE, WATER .....	F13	61	8				
	I8	104	17	TUBE, WATER CHECK .....	F11	59	23				
	I10	106	17								

# PART NAME INDEX

**M10**

Part name	Address	Page	Ref.	Part name	Address	Page	Ref.	Part name	Address	Page	Ref.
WASHER, PLAIN, 12MM .....	F3	51	72	WASHER, WAVE, 40MM .....	G16	80	45				
	F7	55	37	WATER SEAL, 14X26X6 .....	F5	53	40				
	F14	62	23	WHEEL, ACCELERATOR .....	H11	91	21				
	G16	80	50	WHEEL, CONTROL .....	H11	91	14				
			51				95				
			52	WIRE, FASTENER .....	F7	55	24				
	J16	128	82		G12	76	17				
			83	WIRE, LEAD .....	F6	54	13				
WASHER, PLAIN, 18.5MM .....	F15	63	16		H3	83	9				
WASHER, PLAIN, 22X6X1.6 .....	E8	46	8		H6	86	1				
	G7	71	33	WRENCH, BOX .....	H9	89	9				
WASHER, PLAIN, 4MM .....	H13	93	57				13				
WASHER, PLAIN, 5MM .....	H13	93	58	WRENCH, PLUG .....	H9	89	8				
			59								
	I5	101	31	[ Y ]							
			33	YOKE ASSY. ....	H3	83	7				
	I7	103	31	YOKE COMP. ....	E9	47	4				
			33								
	I9	105	36								
			38								
	I11	107	36								
			38								
	J7	119	25								
	J8	120	18								
WASHER, PLAIN, 6MM .....	D15	37	20								
	F5	53	31								
	F14	62	24								
	G13	77	35								
	H6	86	11								
	H13	93	60								
	I13	109	27								
	I15	111	27								
WASHER, PLAIN, 8MM .....	F5	53	34								
	F9	57	26								
	G7	71	34								
	H2	82	6								
	H13	93	62								
	J16	128	75								
WASHER, PROPELLER THRUST .....	F15	63	15								
WASHER, SEALING, 18MM .....	D6	28	6								
WASHER, SEALING, 24MM .....	D4	26	2								
WASHER, SEALING, 6MM .....	E5	43	50								
WASHER, SHIFT SHAFT .....	F5	53	30								
WASHER, SIDE, 14MM .....	F5	53	29								
WASHER, SPRING, 4MM .....	G11	75	19								
	J10	122	23								
	K3	131	9								
WASHER, SPRING, 5MM .....	G11	75	18								
	J7	119	26								
	J8	120	19								
	J10	122	22								
WASHER, THRUST .....	D9	31	9								
	D10	32	14								
WASHER, THRUST, 13MM .....	D6	28	13								
WASHER, THRUST, 34MM .....	G16	80	47								
WASHER, WAVE, 14MM .....	F3	51	69								
	J16	128	80								
WASHER, WAVE, 26MM .....	G16	80	46								
	H6	86	10								



---

**1**

**FOREWORD INDEX**

---

**2**

**ENGINE GROUP**

---

**3**

**FRAME GROUP**

---

**4**

**PART NUMBER INDEX**

---

**5**

**PART NAME INDEX**

---

**HONDA**  
The Power of Dreams



# PARTS CATALOGUE NEWS

Service Technology Department, Power Products Operations  
 Service Division, Honda Motor Co., Ltd.

## PARTS CATALOGUE - CORRECTED

Printed in Japan

CODE NO.	13ZY9C02
PARTS CATALOGUE NEWS	BF75DK2 BF90DK2 BF75DK3 BF90DK4
NEWS NO.	001

Block No.	Ref. No.	Note	Part No.	Description	Reqd. QTY				Serial No.	Parts catalogue code
					BF 75D K2	BF 90D K2	BF 75D K3	BF 90D K4		
FOP-8	1	E	58130-ZW1-W23ZA	*PART NO. DELETION						
		T	58130-ZW1-W24ZA	PROPELLER COMP., THREE BLADES (13-1/2X15) (AL) *NH283*..... STIN GRAY	(1)	(1)	(1)	(1)		

NOTE A:PART NO. CHANGE D:NEWLY PROVIDED E:PART NO.DELETION K:REQUIRED NO. CORRECTION L:APPLICATION SERIAL NO. CORRECTION  
 M:PART DESCRIPTION CORRECTION T:APPLICATION CORRECTION Z:REMARKS CHANGE